

LISTA DE APLICACIONES - BUYERS GUIDE

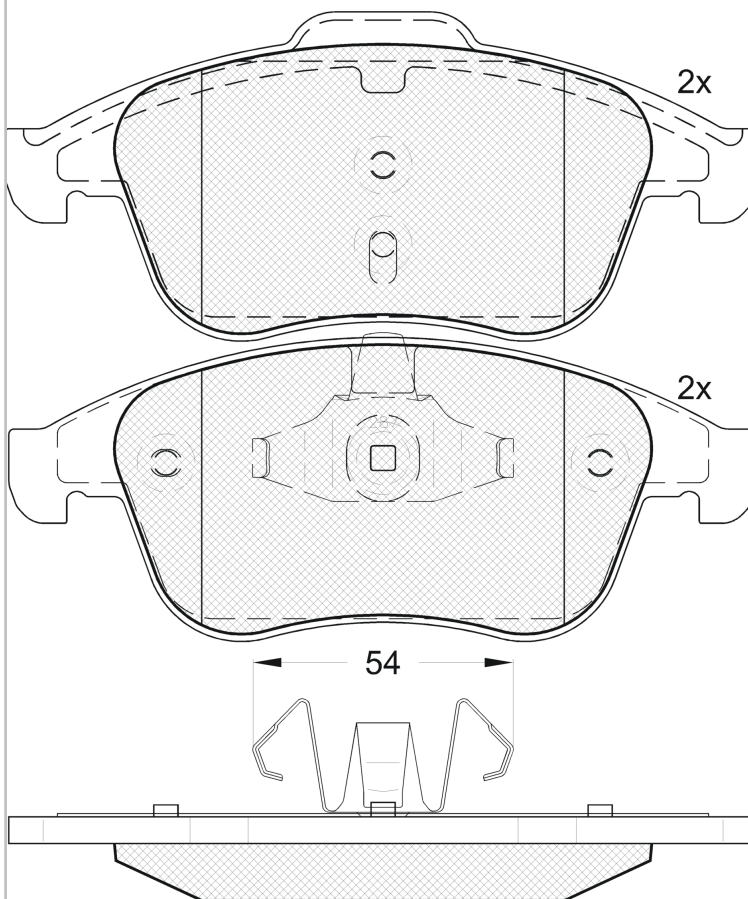
181856



8 424073 097033

Qty: 300

Weight: 1.941



181856

E 9 90R-01111/2467



Ate - Teves

155.1x63.08x18

156.5x68.28x18

O.E.M.	MAKE
41 06 000 11R	RENAULT
41 06 003 11R	RENAULT
41 06 023 09R	RENAULT
41 06 050 55R-OE	RENAULT
41 06 075 85R	RENAULT
86 60 000 764	RENAULT
86 60 004 533	RENAULT

WVA	FMSI
24709	D1765-8984
24710	
MAKE	
RENAULT	



Trac.	CC	Kw	CV
-------	----	----	----



Front / Rear

RENAULT

CLIO IV (BH_) 11.12-							Hatchback (Supermini car-B Segment)			
1.6 RS (BHJ4, BHJ6, BHMM) (M5M 400)	Rim 15, Rim 16	Gasolina	FWD	1618	147	200	03.13-08.21	■		
1.6 RS (BHJ4, BHJ6, BHMM) (M5M 401)	Rim 15, Rim 16	Gasolina	FWD	1618	147	200	03.13-08.21	■		
1.6 RS (BHJ4, BHJ6, BHMM) (M5M 450)	Rim 15, Rim 16	Gasolina	FWD	1618	147	200	03.13-08.21	■		
1.6 RS Trophy (BHJ4, BHJ6) (M5M 401)		Gasolina	FWD	1618	162	220	03.15-08.21	■		
FLUENCE / SYMBOL (L3_) 02.10-							Saloon (Luxury car-F Segment)			
1.6 16V (L301, L30F, L30P, L30R) (K4M 838)	Eq.V_ AS3	Gasolina	FWD	1598	81	110	02.10-	■		
1.6 16V (L301, L30F, L30P, L30R) (K4M 839)	Eq.V_ AS3	Gasolina	FWD	1598	81	110	02.10-	■		
1.6 16V (L301, L30P, L30R) (K4M 838)	Eq.V_ AS3	Gasolina	FWD	1598	82	111	02.10-	■		
1.6 (L33T, L33J, L304, L305, L30H) (H4M 729)	Eq.V_ AS3	Gasolina	FWD	1598	86	117	01.13-	■		
2.0 16V	Eq.V_ AS3	Gasolina	FWD	1997	101	137	05.11-	■		
2.0 16V (L30C, L30G, L30T, L30V) (M4R 714)	Eq.V_ AS3	Gasolina	FWD	1997	103	140	02.10-	■		
2.0 16V (L30C, L30G, L30T, L30V) (M4R 751)	Eq.V_ AS3	Gasolina	FWD	1997	103	140	02.10-	■		
2.0 (M4R 714)	Eq.V_ AS3	Gasolina	FWD	1997	105	143	05.14-	■		
2.0 (M4R 751)	Eq.V_ AS3	Gasolina	FWD	1997	105	143	05.14-	■		
2.0	Eq.V_ AS3	Gasolina	FWD	1998	132	180	01.12-	■		
1.6 LPG 16V (K4M 839)	-12/12	Gasol./Gas (LPG)	FWD	1598	81	110	01.12-	■		
1.6 Flex (L300)	Eq.V_ AS3	Gasol./Etanol	FWD	1598	85	115	01.12-11.14	■		
2.0 Flex	Eq.V_ AS3	Gasol./Etanol	FWD	1997	105	143	02.10-11.18	■		
Z.E. (5AM 400)	Eq.V_ AS3 EQPARG	Eléctrico	FWD		70	95	02.12-	■		
1.5 dCi (L30A) (K9K 830)	Eq.V_ AS3	Diesel	FWD	1461	63	86	02.10-	■		
1.5 dCi (L30S) (K9K 834)	Eq.V_ AS3	Diesel	FWD	1461	66	90	02.10-	■		

LISTA DE APLICACIONES - BUYERS GUIDE

1.5 dCi (K9K 826)	Eq.V_ AS3	Diesel	FWD	1461	70	95	07.14-	■	
1.5 dCi (L30B) (K9K 832)	Eq.V_ AS3	Diesel	FWD	1461	78	106	02.10-	■	
1.5 dCi (L30D, L30L, L306, L33F, L33L, L33M, L33V, L33W) (K9K 656)	Eq.V_ AS3	Diesel	FWD	1461	81	110	02.10-	■	
1.5 dCi (L30D, L30L, L306, L33F, L33L, L33M, L33V, L33W) (K9K 657)	Eq.V_ AS3	Diesel	FWD	1461	81	110	02.10-	■	
1.5 dCi (L30D, L30L, L306, L33F, L33L, L33M, L33V, L33W) (K9K 836)	Eq.V_ AS3	Diesel	FWD	1461	81	110	02.10-	■	
1.5 dCi (L30D, L30L, L306, L33F, L33L, L33M, L33V, L33W) (K9K 837)	Eq.V_ AS3	Diesel	FWD	1461	81	110	02.10-	■	
1.6 dCi (R9M 402)	Eq.V_ AS3	Diesel	FWD	1598	96	130	01.13-	■	
GRAND SCÉNIC III (JZ0/1_) 02.09-							MPV (Compact MPV-M1 Segment)		
1.2 TCe (JZ11, JZ28) (H5F 400)		Gasolina	FWD	1197	85	116	04.12-09.16	■	
1.2 TCe (JZ28) (H5F 408)		Gasolina	FWD	1197	96	131	07.14-09.16	■	
1.2 TCe (JZ16) (H5F 404)		Gasolina	FWD	1197	97	132	01.13-09.16	■	
1.4 16V (JZ0F) (H4J 700)		Gasolina	FWD	1397	96	131	02.09-09.16	■	
1.6 16V (JZ0U) (K4M 858)		Gasolina	FWD	1598	81	109	02.09-09.16	■	
2.0 16V (JZ0G) (M4R 711)		Gasolina	FWD	1997	103	140	02.09-09.16	■	
1.6 16V Bifuel (JZ1Y) (K4M 866)		Gasol./Gas (LPG)	FWD	1598	79	107	04.12-09.16	■	
1.6 16V Bifuel (JZ1Y) (K4M 866)		Gasol./Gas (LPG)	FWD	1598	81	110	02.09-09.16	■	
1.6 E85 (JZ03, JZ1Y) (K4M 866)		Gasol./Etanol	FWD	1598	81	110	02.09-09.16	■	
1.5 dCi (JZ0A) (K9K 830)		Diesel	FWD	1461	63	86	04.09-09.16	■	
1.5 dCi (JZ02, JZ0R) (K9K 846)		Diesel	FWD	1461	70	95	11.10-09.16	■	
1.5 dCi (JZ0B, JZ07) (K9K 832)		Diesel	FWD	1461	78	106	02.09-09.16	■	
1.5 dCi (JZ09, JZ0D, JZ10, JZ14, JZ1G, JZ29, JZ2C) (K9K 636)		Diesel	FWD	1461	81	110	04.09-09.16	■	
1.5 dCi (JZ09, JZ0D, JZ10, JZ14, JZ1G, JZ29, JZ2C) (K9K 836)		Diesel	FWD	1461	81	110	04.09-09.16	■	
1.5 dCi (JZ09, JZ0D, JZ10, JZ14, JZ1G, JZ29, JZ2C) (K9K 837)		Diesel	FWD	1461	81	110	04.09-09.16	■	
1.6 dCi (JZ00, JZ12) (R9M 402)		Diesel	FWD	1598	96	130	04.11-09.16	■	
1.6 dCi (JZ00, JZ12) (R9M 404)		Diesel	FWD	1598	96	130	04.11-09.16	■	
1.6 dCi (JZ00, JZ12) (R9M 414)		Diesel	FWD	1598	96	130	04.11-09.16	■	
1.9 dCi (JZ0J, JZ0N, JZ1K, JZ1S) (F9Q 870)		Diesel	FWD	1870	96	131	02.09-09.16	■	
1.9 dCi (JZ0J, JZ0N, JZ1K, JZ1S) (F9Q 872)		Diesel	FWD	1870	96	131	02.09-09.16	■	
LAGUNA III (DT0/1) 09.08-							Coupe (Large family car-D Segment)		
2.0 16V Turbo (F4R 811)		Gasolina	FWD	1998	125	170	09.08-12.15	■	
2.0 16V Turbo (F4RT 811)		Gasolina	FWD	1998	125	170	09.08-12.15	■	
2.0 GT (F4R 800)		Gasolina	FWD	1998	150	204	09.08-12.15	■	
3.5 V6 (DT0P) (V4Y 713)		Gasolina	FWD	3498	175	238	09.08-12.15	■	
2.0 dCi (DT01, DT08, DT09, DT0K, DT12, DT1C, DT1D, DT1M,...) (M9R 744)	not 4 wheel steering	Diesel	FWD	1995	110	150	09.08-12.15	■	
2.0 dCi (DT01, DT08, DT09, DT0K, DT12, DT1C, DT1D, DT1M,...) (M9R 748)	not 4 wheel steering	Diesel	FWD	1995	110	150	09.08-12.15	■	
2.0 dCi (DT01, DT08, DT09, DT0K, DT12, DT1C, DT1D, DT1M,...) (M9R 754)	not 4 wheel steering	Diesel	FWD	1995	110	150	09.08-12.15	■	
2.0 dCi (DT01, DT08, DT09, DT0K, DT12, DT1C, DT1D, DT1M,...) (M9R 802)	not 4 wheel steering	Diesel	FWD	1995	110	150	09.08-12.15	■	
2.0 dCi (DT01, DT08, DT09, DT0K, DT12, DT1C, DT1D, DT1M,...) (M9R 805)	not 4 wheel steering	Diesel	FWD	1995	110	150	09.08-12.15	■	
2.0 dCi (DT01, DT08, DT09, DT0K, DT12, DT1C, DT1D, DT1M,...) (M9R 808)	not 4 wheel steering	Diesel	FWD	1995	110	150	09.08-12.15	■	
2.0 dCi (DT01, DT08, DT09, DT0K, DT12, DT1C, DT1D, DT1M,...) (M9R 814)	not 4 wheel steering	Diesel	FWD	1995	110	150	09.08-12.15	■	
2.0 dCi (DT01, DT08, DT09, DT0K, DT12, DT1C, DT1D, DT1M,...) (M9R 845)	not 4 wheel steering	Diesel	FWD	1995	110	150	09.08-12.15	■	
2.0 dCi (DT01, DT08, DT09, DT0K, DT12, DT1C, DT1D, DT1M,...) (M9R 854)	not 4 wheel steering	Diesel	FWD	1995	110	150	09.08-12.15	■	

LISTA DE APLICACIONES - BUYERS GUIDE

2.0 dCi (DT01, DT08, DT09, DT0K, DT12, DT1C, DT1D, DT1M,... (M9R 858)	not 4 wheel steering	Diesel	FWD	1995	110	150	09.08-12.15	■
2.0 dCi (DT0M, DT0N, DT0S, DT19, DT1F) (M9R 800)	not 4 wheel steering	Diesel	FWD	1995	127	173	09.08-12.15	■
2.0 dCi (DT0M, DT0N, DT0S, DT19, DT1F) (M9R 806)	not 4 wheel steering	Diesel	FWD	1995	127	173	09.08-12.15	■
2.0 dCi (DT0M, DT0N, DT0S, DT19, DT1F) (M9R 809)	not 4 wheel steering	Diesel	FWD	1995	127	173	09.08-12.15	■
2.0 dCi (DT0M, DT0N, DT0S, DT19, DT1F) (M9R 815)	not 4 wheel steering	Diesel	FWD	1995	127	173	09.08-12.15	■
2.0 dCi (DT0M, DT0N, DT0S, DT19, DT1F) (M9R 849)	not 4 wheel steering	Diesel	FWD	1995	127	173	09.08-12.15	■
2.0 dCi (DT0M, DT0N, DT0S, DT19, DT1F) (M9R 854)	not 4 wheel steering	Diesel	FWD	1995	127	173	09.08-12.15	■
2.0 dCi (DT0M, DT0N, DT0S, DT19, DT1F) (M9R 857)	not 4 wheel steering	Diesel	FWD	1995	127	173	09.08-12.15	■
2.0 dCi GT (DT11, DT1E, DT1N) (M9R 816)		Diesel	FWD	1995	131	178	09.08-12.15	■
2.0 dCi GT (DT11, DT1E, DT1N) (M9R 820)		Diesel	FWD	1995	131	178	09.08-12.15	■
2.0 dCi GT (DT11, DT1E, DT1N) (M9R 828)		Diesel	FWD	1995	131	178	09.08-12.15	■
Hatchback (Large family car-D Segment)								
LAGUNA III (BT0/1) 10.07-								
1.6 16V (BT04, BT0D, BT0U) (K4M 824)		Gasolina	FWD	1998	81	110	10.07-12.15	■
2.0 16V (BT05, BT0F, BT0W) (M4R 704)		Gasolina	FWD	1998	103	140	10.07-12.12	■
2.0 16V Turbo (F4R 811)		Gasolina	FWD	1998	125	170	10.07-12.15	■
2.0 16V Hi-Flex (BT1H, BT1G, BT1K) (M4R 726)		Gasol./Etanol	FWD	1997	103	140	10.07-12.15	■
1.5 dCi (BT00, BT0A, BT0T, BT1J) (K9K 780)		Diesel	FWD	1461	81	110	10.07-12.15	■
1.5 dCi (BT00, BT0A, BT0T, BT1J) (K9K 782)		Diesel	FWD	1461	81	110	10.07-12.15	■
2.0 dCi (BT07, BT0J, BT14, BT1A, BT1S) (M9R 742)		Diesel	FWD	1995	96	131	10.07-12.15	■
2.0 dCi (BT07, BT0J, BT14, BT1A, BT1S) (M9R 744)		Diesel	FWD	1995	96	131	10.07-12.15	■
2.0 dCi (BT07, BT0J, BT14, BT1A, BT1S) (M9R 802)		Diesel	FWD	1995	96	131	10.07-12.15	■
2.0 dCi (BT07, BT0J, BT14, BT1A, BT1S) (M9R 814)		Diesel	FWD	1995	96	131	10.07-12.15	■
2.0 dCi (BT07, BT0J, BT14, BT1A, BT1S) (M9R 854)		Diesel	FWD	1995	96	131	10.07-12.15	■
2.0 dCi (BT07, BT0J, BT14, BT1A, BT1S) (M9R 858)		Diesel	FWD	1995	96	131	10.07-12.15	■
2.0 dCi (BT01, BT08, BT09, BT0E, BT0K, BT12, BT1C, BT1D,... (M9R 742)		Diesel	FWD	1995	110	150	10.07-12.15	■
2.0 dCi (BT01, BT08, BT09, BT0E, BT0K, BT12, BT1C, BT1D,... (M9R 744)		Diesel	FWD	1995	110	150	10.07-12.15	■
2.0 dCi (BT01, BT08, BT09, BT0E, BT0K, BT12, BT1C, BT1D,... (M9R 746)		Diesel	FWD	1995	110	150	10.07-12.15	■
2.0 dCi (BT01, BT08, BT09, BT0E, BT0K, BT12, BT1C, BT1D,... (M9R 748)		Diesel	FWD	1995	110	150	10.07-12.15	■
2.0 dCi (BT01, BT08, BT09, BT0E, BT0K, BT12, BT1C, BT1D,... (M9R 754)		Diesel	FWD	1995	110	150	10.07-12.15	■
2.0 dCi (BT01, BT08, BT09, BT0E, BT0K, BT12, BT1C, BT1D,... (M9R 802)		Diesel	FWD	1995	110	150	10.07-12.15	■
2.0 dCi (BT01, BT08, BT09, BT0E, BT0K, BT12, BT1C, BT1D,... (M9R 805)		Diesel	FWD	1995	110	150	10.07-12.15	■
2.0 dCi (BT01, BT08, BT09, BT0E, BT0K, BT12, BT1C, BT1D,... (M9R 808)		Diesel	FWD	1995	110	150	10.07-12.15	■
2.0 dCi (BT01, BT08, BT09, BT0E, BT0K, BT12, BT1C, BT1D,... (M9R 814)		Diesel	FWD	1995	110	150	10.07-12.15	■
2.0 dCi (BT01, BT08, BT09, BT0E, BT0K, BT12, BT1C, BT1D,... (M9R 845)		Diesel	FWD	1995	110	150	10.07-12.15	■
2.0 dCi (BT01, BT08, BT09, BT0E, BT0K, BT12, BT1C, BT1D,... (M9R 854)		Diesel	FWD	1995	110	150	10.07-12.15	■
2.0 dCi (BT01, BT08, BT09, BT0E, BT0K, BT12, BT1C, BT1D,... (M9R 858)		Diesel	FWD	1995	110	150	10.07-12.15	■
2.0 dCi (BT0M, BT0N, BT0S, BT19, BT1F) (M9R 800)		Diesel	FWD	1995	127	173	01.08-12.15	■
2.0 dCi (BT0M, BT0N, BT0S, BT19, BT1F) (M9R 806)		Diesel	FWD	1995	127	173	01.08-12.15	■

LISTA DE APLICACIONES - BUYERS GUIDE

2.0 dCi (BT0M, BT0N, BT0S, BT19, BT1F) (M9R 809)	Diesel	FWD	1995	127	173	01.08-12.15	■
2.0 dCi (BT0M, BT0N, BT0S, BT19, BT1F) (M9R 815)	Diesel	FWD	1995	127	173	01.08-12.15	■
2.0 dCi (BT0M, BT0N, BT0S, BT19, BT1F) (M9R 854)	Diesel	FWD	1995	127	173	01.08-12.15	■
2.0 dCi (BT0M, BT0N, BT0S, BT19, BT1F) (M9R 857)	Diesel	FWD	1995	127	173	01.08-12.15	■
2.0 dCi (BT0M, BT0N, BT0S, BT19, BT1F) (M9R 858)	Diesel	FWD	1995	127	173	01.08-12.15	■
2.0 dCi GT (BT11, BT1E, BT1N) (M9R 816)	Diesel	FWD	1995	131	178	03.08-12.15	■
2.0 dCi GT (BT11, BT1E, BT1N) (M9R 820)	Diesel	FWD	1995	131	178	03.08-12.15	■
2.0 dCi GT (BT11, BT1E, BT1N) (M9R 828)	Diesel	FWD	1995	131	178	03.08-12.15	■
LAGUNA III Grandtour (KT0/1) 10.07-						Estate (Large family car-D Segment)	
1.6 16V (KT0D) (K4M 824)	Gasolina	FWD	1598	81	110	10.07-12.15	■
2.0 16V (KT0F, KT0W) (M4R 704)	Gasolina	FWD	1998	103	140	10.07-12.15	■
2.0 16V Turbo (F4R 811)	Gasolina	FWD	1998	125	170	10.07-12.15	■
2.0 16V Hi-Flex (KT1H, KT1G, KT1K) (M4R 704)	Gasol./Etanol	FWD	1997	103	140	10.07-12.15	■
2.0 16V Hi-Flex (KT1H, KT1G, KT1K) (M4R 726)	Gasol./Etanol	FWD	1997	103	140	10.07-12.15	■
1.5 dCi (KT0A, KT0R, KT02) (K9K 780)	Diesel	FWD	1461	81	110	10.07-12.15	■
1.5 dCi (KT0A, KT0R, KT02) (K9K 782)	Diesel	FWD	1461	81	110	10.07-12.15	■
1.5 dCi (KT0A, KT0R, KT02) (K9K 846)	Diesel	FWD	1461	81	110	10.07-12.15	■
2.0 dCi (KT07, KT0J, KT14, KT1A, KT1S) (M9R 742)	Diesel	FWD	1995	96	131	10.07-12.15	■
2.0 dCi (KT07, KT0J, KT14, KT1A, KT1S) (M9R 744)	Diesel	FWD	1995	96	131	10.07-12.15	■
2.0 dCi (KT07, KT0J, KT14, KT1A, KT1S) (M9R 802)	Diesel	FWD	1995	96	131	10.07-12.15	■
2.0 dCi (KT07, KT0J, KT14, KT1A, KT1S) (M9R 814)	Diesel	FWD	1995	96	131	10.07-12.15	■
2.0 dCi (KT07, KT0J, KT14, KT1A, KT1S) (M9R 854)	Diesel	FWD	1995	96	131	10.07-12.15	■
2.0 dCi (KT07, KT0J, KT14, KT1A, KT1S) (M9R 858)	Diesel	FWD	1995	96	131	10.07-12.15	■
2.0 dCi (KT01, KT08, KT09, KT0K, KT12, KT1D, KT1W) (M9R 742)	Diesel	FWD	1995	110	150	10.07-12.15	■
2.0 dCi (KT01, KT08, KT09, KT0K, KT12, KT1D, KT1W) (M9R 744)	Diesel	FWD	1995	110	150	10.07-12.15	■
2.0 dCi (KT01, KT08, KT09, KT0K, KT12, KT1D, KT1W) (M9R 802)	Diesel	FWD	1995	110	150	10.07-12.15	■
2.0 dCi (KT01, KT08, KT09, KT0K, KT12, KT1D, KT1W) (M9R 805)	Diesel	FWD	1995	110	150	10.07-12.15	■
2.0 dCi (KT01, KT08, KT09, KT0K, KT12, KT1D, KT1W) (M9R 808)	Diesel	FWD	1995	110	150	10.07-12.15	■
2.0 dCi (KT01, KT08, KT09, KT0K, KT12, KT1D, KT1W) (M9R 814)	Diesel	FWD	1995	110	150	10.07-12.15	■
2.0 dCi (KT01, KT08, KT09, KT0K, KT12, KT1D, KT1W) (M9R 845)	Diesel	FWD	1995	110	150	10.07-12.15	■
2.0 dCi (KT01, KT08, KT09, KT0K, KT12, KT1D, KT1W) (M9R 854)	Diesel	FWD	1995	110	150	10.07-12.15	■
2.0 dCi (KT01, KT08, KT09, KT0K, KT12, KT1D, KT1W) (M9R 858)	Diesel	FWD	1995	110	150	10.07-12.15	■
2.0 dCi (KT0M, KT0N, KT0S, KT19, KT1F) (M9R 800)	Diesel	FWD	1995	127	173	01.08-12.15	■
2.0 dCi (KT0M, KT0N, KT0S, KT19, KT1F) (M9R 806)	Diesel	FWD	1995	127	173	01.08-12.15	■
2.0 dCi (KT0M, KT0N, KT0S, KT19, KT1F) (M9R 809)	Diesel	FWD	1995	127	173	01.08-12.15	■
2.0 dCi (KT0M, KT0N, KT0S, KT19, KT1F) (M9R 815)	Diesel	FWD	1995	127	173	01.08-12.15	■
2.0 dCi (KT0M, KT0N, KT0S, KT19, KT1F) (M9R 849)	Diesel	FWD	1995	127	173	01.08-12.15	■
2.0 dCi (KT0M, KT0N, KT0S, KT19, KT1F) (M9R 854)	Diesel	FWD	1995	127	173	01.08-12.15	■

LISTA DE APLICACIONES - BUYERS GUIDE

2.0 dCi (KT0M, KT0N, KT0S, KT19, KT1F) (M9R 857)		Diesel	FWD	1995	127	173	01.08-12.15	■	
2.0 dCi (KT0M, KT0N, KT0S, KT19, KT1F) (M9R 858)		Diesel	FWD	1995	127	173	01.08-12.15	■	
2.0 dCi GT (KT11, KT1E, KT1N) (M9R 816)	not 4 wheel steering	Diesel	FWD	1995	131	178	03.08-12.15	■	
2.0 dCi GT (KT11, KT1E, KT1N) (M9R 820)	not 4 wheel steering	Diesel	FWD	1995	131	178	03.08-12.15	■	
2.0 dCi GT (KT11, KT1E, KT1N) (M9R 828)	not 4 wheel steering	Diesel	FWD	1995	131	178	03.08-12.15	■	
LATITUDE (L70_) 07.10-							Saloon (Large family car-D Segment)		
2.0 16V (M4R 746)		Gasolina	FWD	1997	102	139	02.11-	■	
2.0 16V (L70B) (M4R 746)		Gasolina	FWD	1997	103	140	02.11-	■	
2.5 V6 (L702, L703, L704, L707) (2ZV 604)		Gasolina	FWD	2495	130	177	05.11-	■	
2.0 16V eco2 Flexfuel (L70B) (M4R 746)		Gasol./Etanol	FWD	1997	103	140	02.11-	■	
1.5 dCi (L70R, L731) (K9K 782)		Diesel	FWD	1461	81	110	07.10-	■	
1.5 dCi (L70R, L731) (K9K 849)		Diesel	FWD	1461	81	110	07.10-	■	
2.0 dCi 130 (M9R 756)		Diesel	FWD	1995	96	131	12.13-	■	
2.0 dCi 150 (L70H) (M9R 824)		Diesel	FWD	1995	110	150	02.11-	■	
2.0 dCi 150 (L70H) (M9R 846)		Diesel	FWD	1995	110	150	02.11-	■	
2.0 dCi 175 (L70Y, L734) (M9R 804)		Diesel	FWD	1995	127	173	05.11-	■	
2.0 dCi 175 (L70Y, L734) (M9R 817)		Diesel	FWD	1995	127	173	05.11-	■	
2.0 dCi 175 (L70Y, L734) (M9R 844)		Diesel	FWD	1995	127	173	05.11-	■	
2.0 dCi		Diesel	FWD	1995	130	177	02.11-	■	
MEGANE III (DZ0/1_) 11.08-							Coupe (Compact car-C Segment)		
2.0 TCe (DZ0K) (F4R 870)		Gasolina	FWD	1998	132	180	11.08-08.15	■	
2.0 TCe (F4R 872)		Gasolina	FWD	1998	140	190	06.12-08.15	■	
2.0 TCe 220 (F4R 874)		Gasolina	FWD	1998	162	220	11.13-08.15	■	
2.0 dCi (DZ0Y) (M9R 615)		Diesel	FWD	1995	110	150	04.09-08.15	■	
2.0 dCi (DZ0L) (M9R 610)		Diesel	FWD	1995	118	160	04.09-08.15	■	
2.0 dCi (M9R 610)		Diesel	FWD	1995	120	163	07.12-08.15	■	
MEGANE III (BZ0/1_, B3_) 11.08-							Hatchback (Compact car-C Segment)		
2.0 TCe (BZ0K) (F4R 870)		Gasolina	FWD	1998	132	180	11.08-08.15	■	
2.0 TCe (F4R 872)		Gasolina	FWD	1998	140	190	06.12-08.15	■	
2.0 TCe 220 (F4R 874)		Gasolina	FWD	1998	162	220	11.13-01.16	■	
2.0 dCi (BZ0Y) (M9R 615)		Diesel	FWD	1995	110	150	10.10-08.15	■	
2.0 dCi (BZ0L) (M9R 610)		Diesel	FWD	1995	118	160	04.09-08.15	■	
2.0 dCi (M9R 610)		Diesel	FWD	1995	120	163	07.12-08.15	■	
MEGANE III Grandtour (KZ0/1) 11.08-							Estate (Compact car-C Segment)		
2.0 TCe (KZ0K, KZ1T) (F4R 870)		Gasolina	FWD	1998	132	180	11.08-08.15	■	
2.0 TCe (KZ0K, KZ1T) (F4R 872)		Gasolina	FWD	1998	132	180	11.08-08.15	■	
2.0 TCe (F4R 872)		Gasolina	FWD	1998	140	190	09.12-08.15	■	
2.0 TCe (F4R 874)		Gasolina	FWD	1998	162	220	09.12-01.16	■	
2.0 dCi (KZ0Y) (M9R 615)		Diesel	FWD	1995	110	150	10.10-08.15	■	
2.0 dCi (KZ0L) (M9R 610)		Diesel	FWD	1995	118	160	04.09-08.15	■	
2.0 dCi (M9R 610)		Diesel	FWD	1995	120	163	07.12-08.15	■	
MEGANE III CC (EZ0/1_) 06.10-							Convertible (Compact car-C Segment)		
2.0 TCe (EZ1T) (F4R 870)		Gasolina	FWD	1998	132	180	06.10-08.15	■	
2.0 TCe (EZ1T) (F4R 872)		Gasolina	FWD	1998	132	180	06.10-08.15	■	
2.0 dCi (EZ0L) (M9R 610)		Diesel	FWD	1995	118	160	06.10-08.15	■	
SCÉNIC III (JZ0/1_) 12.08-							MPV (Compact MPV-M1 Segment)		
1.2 TCe (H5F 400)		Gasolina	FWD	1197	85	116	04.12-09.16	■	

LISTA DE APLICACIONES - BUYERS GUIDE

1.2 TCe (H5F 408)		Gasolina	FWD	1197	96	131	07.14-09.16	■
1.2 TCe (JZ16) (H5F 404)		Gasolina	FWD	1197	97	132	01.13-09.16	■
1.2 TCe (JZ16) (H5F 408)		Gasolina	FWD	1197	97	132	01.13-09.16	■
1.4 16V (JZ0F, JZ1V) (H4J 700)		Gasolina	FWD	1397	96	131	02.09-09.16	■
1.6 16V (JZ0U, JZ1B) (K4M 858)		Gasolina	FWD	1598	81	110	02.09-09.16	■
1.6 16V (JZ0U, JZ1B) (K4M R 858)		Gasolina	FWD	1598	81	110	02.09-09.16	■
2.0 16V (M4R 711)		Gasolina	FWD	1997	101	137	12.08-09.16	■
2.0 16V (JZ0G, JZ0P, JZ1E, JZ1P) (M4R 710)		Gasolina	FWD	1997	103	140	02.09-09.16	■
2.0 16V (JZ0G, JZ0P, JZ1E, JZ1P) (M4R 711)		Gasolina	FWD	1997	103	140	02.09-09.16	■
2.0 16V (JZ0G, JZ0P, JZ1E, JZ1P) (M4R 713)		Gasolina	FWD	1997	103	140	02.09-09.16	■
1.6 16V Bifuel (K4M 866)		Gasol./Gas (LPG)	FWD	1598	79	107	04.12-12.13	■
1.6 16V Bifuel (K4M 866)		Gasol./Gas (LPG)	FWD	1598	81	110	02.09-09.16	■
1.6 E85 (JZ03, JZ1Y) (K4M 866)		Gasol./Etanol	FWD	1598	81	110	02.09-09.16	■
1.5 dCi (K9K 830)		Diesel	FWD	1461	63	86	04.09-09.16	■
1.5 dCi (JZ02, JZ0R) (K9K 846)		Diesel	FWD	1461	70	95	11.10-09.16	■
1.5 dCi (K9K 832)		Diesel	FWD	1461	78	106	02.09-09.16	■
1.5 dCi (K9K 636)		Diesel	FWD	1461	81	110	04.09-09.16	■
1.5 dCi (K9K 656)		Diesel	FWD	1461	81	110	04.09-09.16	■
1.5 dCi (K9K 657)		Diesel	FWD	1461	81	110	04.09-09.16	■
1.5 dCi (K9K 836)		Diesel	FWD	1461	81	110	04.09-09.16	■
1.5 dCi (K9K 837)		Diesel	FWD	1461	81	110	04.09-09.16	■
1.6 dCi (JZ00, JZ12) (R9M 402)		Diesel	FWD	1598	96	130	04.11-09.16	■
1.6 dCi (JZ00, JZ12) (R9M 404)		Diesel	FWD	1598	96	130	04.11-09.16	■
1.6 dCi (JZ00, JZ12) (R9M 414)		Diesel	FWD	1598	96	130	04.11-09.16	■
1.9 dCi (JZ0J, JZ1J, JZ1K, JZ1S) (F9Q 870)		Diesel	FWD	1870	96	131	02.09-09.16	■
1.9 dCi (JZ0J, JZ1J, JZ1K, JZ1S) (F9Q 872)		Diesel	FWD	1870	96	131	02.09-09.16	■
2.0 dCi (JZ0Y, JZ26) (M9R 615)		Diesel	FWD	1995	110	150	02.09-09.16	■
2.0 dCi (JZ0L) (M9R 610)		Diesel	FWD	1995	118	160	04.09-09.16	■
SCÉNIC III VAN (JZ0/1_) 12.08-							Box Body/MPV (Compact MPV-M1 Segment)	
1.4 TCe (JZ0F, JZ1V)		Gasolina	FWD	1397	96	131	01.13-09.16	■
1.6 VVT (JZ0U, JZ1B, JZ1H, JZ1U, JZ24)		Gasolina	FWD	1598	81	110	01.13-09.16	■
1.5 dCi (JZ02)		Diesel	FWD	1461	70	95	01.13-09.16	■
1.5 dCi (JZ0D, JZ1M, JZ09, JZ14, JZ1G, JZ1W, JZ10)		Diesel	FWD	1461	81	110	04.09-09.16	■
1.6 dCi (JZ00, JZ12, JZ2A)		Diesel	FWD	1598	96	131	01.13-09.16	■
1.9 dCi (JZ0J, JZ1J, JZ1K, JZ1S)		Diesel	FWD	1870	96	131	01.13-09.16	■