

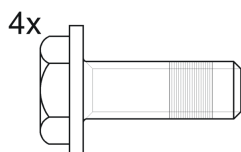
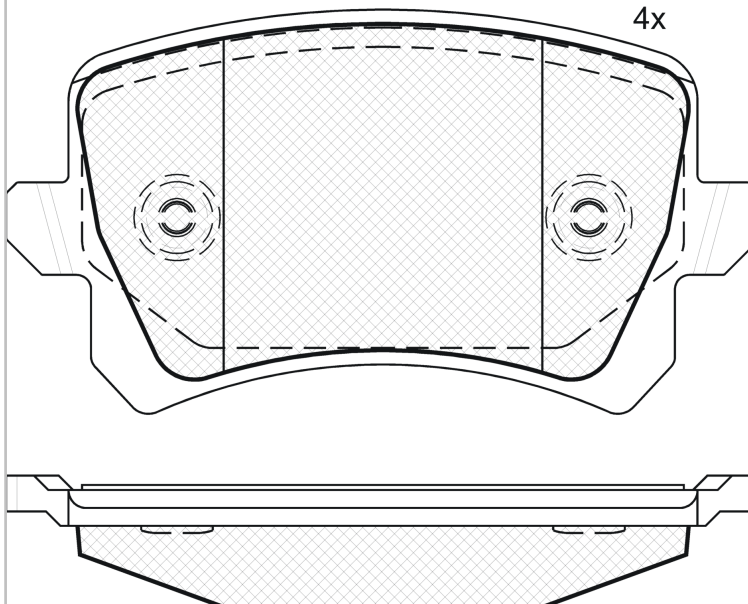
LISTA DE APLICACIONES - BUYERS GUIDE

181857



Qty: 300 Weight: 1.105

O.E.M.	MAKE
1K0 698 451 L	VW
3AA 698 451	VW
3AA 698 451 A	VW
3AA698451B	SEAT
3C0 698 451	VW
3C0 698 451 A	VW
3C0 698 451 C	VW
3C0 698 451 E	VW
3C0 698 451 F	VW
5N0 698 451	VW
5ND 698 451	VW (SVW)
86 60 000 765	RENAULT
86 60 004 432	RENAULT
JZW 698 451 E	VW
JZW 698 451 G	VW



1-Ref. 690064

181857

E 9 90R-01111/2207



Trw

105.3x56.47x17

WVA	FMSI
22192	D1348-8213
22268	
24483	

MAKE
AUDI
AUDI (FAW)
BORGWARD
SEAT
SKODA
VW
VW (SVW)



Trac.	CC	Kw	CV
-------	----	----	----



Front / Rear

AUDI

A6 III C6 Avant (4F5) 11.04-08.11

Estate (Executive car-E Segment)

Model	discØ	PR	Fuel	Drive	CC	Kw	CV	Period	
2.0 TFSI (BPJ)	282	PR 1KQ	Gasolina	FWD	1984	125	170	06.05-08.11	■
2.8 FSI (CCDA)	282	PR 1KQ	Gasolina	FWD	2773	140	190	10.08-08.11	■
2.8 FSI quattro (CCDA)	282	PR 1KQ	Gasolina	4WD	2773	140	190	10.08-08.11	■
2.8 FSI (CCEA)	282	PR 1KQ	Gasolina	FWD	2773	162	220	10.08-08.11	■
2.8 FSI quattro (CCEA)	282	PR 1KQ	Gasolina	4WD	2773	162	220	10.08-08.11	■
3.0 TFSI quattro (CAJA)			Gasolina	4WD	2995	213	290	10.08-08.11	■
3.0 TFSI quattro (CCAA)			Gasolina	4WD	2995	220	299	10.08-08.11	■
4.2 FSI quattro (BVJ)			Gasolina	4WD	4163	257	350	06.06-08.11	■
2.0 TDI (BNA)	282	PR 1KQ	Diesel	FWD	1968	100	136	06.05-08.11	■
2.0 TDI (BRF)	282	PR 1KQ	Diesel	FWD	1968	100	136	06.05-08.11	■
2.0 TDI (CAGB)	282	PR 1KQ	Diesel	FWD	1968	100	136	06.05-08.11	■
2.0 TDI (CAHB)	282	PR 1KQ	Diesel	FWD	1968	120	163	04.09-08.11	■
2.0 TDI (CAHA)	282	PR 1KQ	Diesel	FWD	1968	125	170	10.08-08.11	■
2.7 TDI (BSG)	282	PR 1KQ	Diesel	FWD	2698	120	163	03.05-08.11	■
2.7 TDI (CANB)	282	PR 1KQ	Diesel	FWD	2698	120	163	03.05-08.11	■
2.7 TDI quattro (BSG)	282	PR 1KQ	Diesel	4WD	2698	120	163	06.05-08.11	■
2.7 TDI quattro (CAND)	282	PR 1KQ	Diesel	4WD	2698	120	163	06.05-08.11	■
2.7 TDI (CANA)	282	PR 1KQ	Diesel	FWD	2698	140	190	10.08-08.11	■
2.7 TDI quattro (CANC)	282	PR 1KQ	Diesel	4WD	2698	140	190	10.08-08.11	■
3.0 TDI quattro (BNG)	282	PR 1KQ	Diesel	4WD	2967	155	211	03.05-08.11	■
3.0 TDI quattro (CDYB)	282	PR 1KQ	Diesel	4WD	2967	155	211	03.05-08.11	■
3.0 TDI quattro (CDYA)			Diesel	4WD	2967	176	240	10.08-08.11	■
3.0 TDI quattro (CDYC)			Diesel	4WD	2967	176	240	10.08-08.11	■

LISTA DE APLICACIONES - BUYERS GUIDE

A6 III C6 (4F2) 04.04-08.11					Saloon (Executive car-E Segment)			
2.0 TFSI (BPJ)		Gasolina	FWD	1984	125	170	06.05-03.11	■
2.0 TFSI (BYK)		Gasolina	FWD	1984	125	170	06.05-03.11	■
2.8 FSI (CCDA)		Gasolina	FWD	2773	140	190	10.08-03.11	■
2.8 FSI quattro (CCDA)	discØ 282, PR 1KQ	Gasolina	4WD	2773	140	190	10.08-03.11	■
2.8 FSI (CCEA)	discØ 282, PR 1KQ	Gasolina	FWD	2773	162	220	10.08-03.11	■
2.8 FSI quattro (CCEA)	discØ 282, PR 1KQ	Gasolina	4WD	2773	162	220	10.08-03.11	■
3.0 TFSI quattro (CAJA)		Gasolina	4WD	2995	213	290	10.08-03.11	■
3.0 TFSI quattro (CCAA)		Gasolina	4WD	2995	220	299	10.08-03.11	■
3.2 FSI (CALA)	PR 1KQ, discØ 302	Gasolina	FWD	3197	195	265	05.09-03.11	■
4.2 FSI quattro (BVJ)		Gasolina	4WD	4163	257	350	06.06-03.11	■
2.0 TDI (BNA)	discØ 282, PR 1KQ	Diesel	FWD	1968	100	136	07.04-03.11	■
2.0 TDI (BRF)	discØ 282, PR 1KQ	Diesel	FWD	1968	100	136	07.04-03.11	■
2.0 TDI (CAGB)	discØ 282, PR 1KQ	Diesel	FWD	1968	100	136	07.04-03.11	■
2.0 TDI (CAHB)	discØ 282, PR 1KQ	Diesel	FWD	1968	120	163	04.09-03.11	■
2.0 TDI (CAHA)	discØ 282, PR 1KQ	Diesel	FWD	1968	125	170	11.08-03.11	■
2.7 TDI (BSG)	discØ 282, PR 1KQ	Diesel	FWD	2698	120	163	11.04-03.11	■
2.7 TDI (CANB)	discØ 282, PR 1KQ	Diesel	FWD	2698	120	163	11.04-03.11	■
2.7 TDI quattro (BSG)	discØ 282, PR 1KQ	Diesel	4WD	2698	120	163	06.05-03.11	■
2.7 TDI quattro (CAND)	discØ 282, PR 1KQ	Diesel	4WD	2698	120	163	06.05-03.11	■
2.7 TDI (CANA)		Diesel	FWD	2698	140	190	10.08-03.11	■
2.7 TDI quattro (CANC)	discØ 282, PR 1KQ	Diesel	4WD	2698	140	190	10.08-03.11	■
3.0 TDI quattro (BNG)	discØ 282, PR 1KQ	Diesel	4WD	2967	155	211	05.04-03.11	■
3.0 TDI quattro (CDYB)	discØ 282, PR 1KQ	Diesel	4WD	2967	155	211	05.04-03.11	■
3.0 TDI quattro (CDYA)		Diesel	4WD	2967	176	240	10.08-03.11	■
3.0 TDI quattro (CDYC)		Diesel	4WD	2967	176	240	10.08-03.11	■
A6 IV Allroad C7 (4GH, 4GJ) 01.12-					Estate (Executive car-E Segment)			
3.0 TFSI quattro (CGWD)		Gasolina	4WD	2995	228	310	01.12-12.14	■
3.0 TDI quattro (CLAA)		Diesel	4WD	2967	150	204	01.12-12.14	■
3.0 TDI quattro (CDUD)		Diesel	4WD	2967	180	245	01.12-06.16	■
3.0 TDI quattro (CKVC)		Diesel	4WD	2967	180	245	01.12-06.16	■
3.0 TDI quattro (CGQB)		Diesel	4WD	2967	230	313	01.12-12.14	■
A6 IV C7 (4G2, 4GC) 11.10-					Saloon (Executive car-E Segment)			
3.0		Gasolina	FWD	2995	213	290	11.11-	■
3.0		Gasolina	FWD	2995	213	290	11.11-	■
3.0 TFSI quattro (CCAA)		Gasolina	4WD	2995	220	300	11.10-05.12	■
3.0 TFSI quattro (CGWB)		Gasolina	4WD	2995	220	300	11.10-05.12	■
3.0 TFSI quattro (CGWD)		Gasolina	4WD	2995	228	310	03.11-09.18	■
3.0 TFSI quattro (CGXB)		Gasolina	4WD	2995	228	310	03.11-09.18	■
3.0 TFSI quattro (CTUA)		Gasolina	4WD	2995	228	310	03.11-09.18	■
S6 quattro (CEUC)		Gasolina	4WD	3993	309	420	02.12-09.18	■
3.0 TDI (CLAB)		Diesel	FWD	2967	150	204	11.10-09.18	■
3.0 TDI quattro (CLAA)		Diesel	4WD	2967	150	204	03.11-09.18	■
3.0 TDI quattro (CDUC)		Diesel	4WD	2967	180	245	03.11-09.18	■
3.0 TDI quattro (CDUD)		Diesel	4WD	2967	180	245	03.11-09.18	■
3.0 TDI quattro (CKVB)		Diesel	4WD	2967	180	245	03.11-09.18	■
3.0 TDI quattro (CKVC)		Diesel	4WD	2967	180	245	03.11-09.18	■
3.0 TDI quattro (CGQB)		Diesel	4WD	2967	230	313	11.11-09.18	■
A6 IV C7 Avant (4G5, 4GD) 05.11-					Estate (Executive car-E Segment)			
3.0 TFSI quattro (CGWB)		Gasolina	4WD	2995	220	300	05.11-05.12	■

LISTA DE APLICACIONES - BUYERS GUIDE

3.0 TFSI quattro (CGWD)		Gasolina	4WD	2995	228	310	11.11-09.18	■
3.0 TDI (CLAB)		Diesel	FWD	2967	150	204	05.11-09.18	■
3.0 TDI quattro (CLAA)		Diesel	4WD	2967	150	204	05.11-09.18	■
3.0 TDI quattro (CDUC)		Diesel	4WD	2967	180	245	05.11-09.18	■
3.0 TDI quattro (CDUD)		Diesel	4WD	2967	180	245	05.11-09.18	■
3.0 TDI quattro (CKVB)		Diesel	4WD	2967	180	245	05.11-09.18	■
3.0 TDI quattro (CKVC)		Diesel	4WD	2967	180	245	05.11-09.18	■
3.0 TDI quattro (CGQB)		Diesel	4WD	2967	230	313	11.11-09.18	■
Q3 (8UB, 8UG) 06.11-					SUV (Compact Crossover CUV-C Segment)			
1.4 TFSI (CZDB)	PR 1KU, discØ 282	Gasolina	FWD	1395	92	125	07.16-10.18	■
1.4 TSI (CHPB)	-12/14, PR 1KU, discØ 282	Gasolina	FWD	1395	110	150	10.13-10.18	■
1.4 TSI (CZDA)	-12/14, PR 1KU, discØ 282	Gasolina	FWD	1395	110	150	10.13-10.18	■
1.4 TSI (CZEA)	-12/14, PR 1KU, discØ 282	Gasolina	FWD	1395	110	150	10.13-10.18	■
2.0 TFSI quattro (CCZC)	-12/14, PR 1KU, discØ 282	Gasolina	4WD	1984	125	170	06.11-04.15	■
2.0 TFSI (CULB)	PR 1KU, discØ 282	Gasolina	FWD	1984	132	180	05.15-10.18	■
2.0 TFSI quattro (CULB)	-12/14, PR 1KU, discØ 282	Gasolina	4WD	1984	132	180	11.14-10.18	■
2.0 TFSI quattro (CPSA)	-12/14, PR 1KU, discØ 282	Gasolina	4WD	1984	155	211	06.11-04.15	■
2.0 TFSI quattro (CULC)	-12/14, PR 1KU, discØ 282	Gasolina	4WD	1984	162	220	11.14-10.18	■
RS 2.5 quattro (CTSA)	-12/14, PR 1KU, discØ 282	Gasolina	4WD	2480	228	310	10.13-10.18	■
RS 2.5 quattro (CZGA)	-12/14, PR 1KU, discØ 282	Gasolina	4WD	2480	250	340	05.13-10.18	■
RS performance 2.5 quattro (CZGB)	PR 1KU, discØ 282	Gasolina	4WD	2480	270	367	01.15-10.18	■
3.2 TFSi	-12/14, PR 1KU, discØ 282	Gasolina	FWD	3195	125	170	11.14-	■
3.2 TFSi	-12/14, PR 1KU, discØ 282	Gasolina	FWD	3195	155	211	11.14-	■
1.4 TFSi Flex (CWLA)		Gasol./Etanol	FWD	1395	110	150	02.16-10.18	■
1.4 TFSi Flex (CZDA)		Gasol./Etanol	FWD	1395	110	150	02.16-10.18	■
2.0 TDI (CUVD)	PR 1KU, discØ 282	Diesel	FWD	1968	88	120	03.15-10.18	■
2.0 TDI (DFTC)	PR 1KU, discØ 282	Diesel	FWD	1968	88	120	03.15-10.18	■
2.0 TDI (CFFA)	-12/14, PR 1KU, discØ 282	Diesel	FWD	1968	100	136	09.11-10.18	■
2.0 TDI (CUVB)	-12/14, PR 1KU, discØ 282	Diesel	FWD	1968	100	136	09.11-10.18	■
2.0 TDI (DFTB)	-12/14, PR 1KU, discØ 282	Diesel	FWD	1968	100	136	09.11-10.18	■
2.0 TDI (CFFB)	-12/14, PR 1KU, discØ 282	Diesel	FWD	1968	103	140	09.11-10.18	■
2.0 TDI (CLJA)	-12/14, PR 1KU, discØ 282	Diesel	FWD	1968	103	140	09.11-10.18	■
2.0 TDI quattro (CFFB)	-12/14, PR 1KU, discØ 282	Diesel	4WD	1968	103	140	01.12-10.18	■
2.0 TDI (CUVC)	-12/14, PR 1KU, discØ 282	Diesel	FWD	1968	110	150	11.14-10.18	■
2.0 TDI (DBBA)	-12/14, PR 1KU, discØ 282	Diesel	FWD	1968	110	150	11.14-10.18	■
2.0 TDI (DFTA)	-12/14, PR 1KU, discØ 282	Diesel	FWD	1968	110	150	11.14-10.18	■
2.0 TDI quattro (CUVC)	-12/14, PR 1KU, discØ 282	Diesel	4WD	1968	110	150	11.14-10.18	■
2.0 TDI quattro (DFTA)	-12/14, PR 1KU, discØ 282	Diesel	4WD	1968	110	150	11.14-10.18	■
2.0 TDI quattro (CFGD)	-12/14, PR 1KU, discØ 282	Diesel	4WD	1968	120	163	06.11-04.15	■
2.0 TDI (CFGC)	-12/14, PR 1KU, discØ 282	Diesel	FWD	1968	130	177	06.11-04.15	■
2.0 TDI quattro (CFGC)	-12/14, PR 1KU, discØ 282	Diesel	4WD	1968	130	177	06.11-10.18	■
2.0 TDI quattro (CLLB)	-12/14, PR 1KU, discØ 282	Diesel	4WD	1968	130	177	06.11-10.18	■
2.0 TDI (CUWA)	PR 1KU, discØ 282	Diesel	FWD	1968	135	184	05.15-10.18	■
2.0 TDI (DFUA)	PR 1KU, discØ 282	Diesel	FWD	1968	135	184	05.15-10.18	■
2.0 TDI quattro (CUWA)	-12/14, PR 1KU, discØ 282	Diesel	4WD	1968	135	184	11.14-10.18	■
2.0 TDI quattro (CYLA)	-12/14, PR 1KU, discØ 282	Diesel	4WD	1968	135	184	11.14-10.18	■
2.0 TDI quattro (DFUA)	-12/14, PR 1KU, discØ 282	Diesel	4WD	1968	135	184	11.14-10.18	■
2.0 TDI	-12/14, PR 1KU, discØ 282	Diesel	RWD	1995	130	177	11.14-	■
3.2 TDi	-12/14, PR 1KU, discØ 282	Diesel	RWD	3195	103	140	11.14-	■

AUDI (FAW)

LISTA DE APLICACIONES - BUYERS GUIDE

						SUV (Compact Crossover CUV-C Segment)				
Q3 (84B, 84G) 04.13-										
35 TFSI	-12/14, PR 1KU, discØ 282	Gasolina	FWD	1984	125	170	04.13-12.16		■	
35 TFSI quattro	-12/14, PR 1KU, discØ 282	Gasolina	4WD	1984	125	170	04.13-12.16		■	
40 TFSI quattro	-12/14, PR 1KU, discØ 282	Gasolina	4WD	1984	147	200	04.13-12.16		■	
BORGWARD										
						SUV (Compact Crossover CUV-C Segment)				
BX5 03.17-										
20TGD i (BWE414A)		Gasolina	FWD	1395	110	150	08.17-12.21		■	
25TGD i (BWE418A)		Gasolina	FWD	1797	140	190	03.17-12.21		■	
25TGD i AWD (BWE418A)		Gasolina	4WD	1797	140	190	03.17-12.21		■	
						SUV (Compact Crossover CUV-C Segment)				
BX6 05.18-										
25TGD i AWD (BWE420B)		Gasolina	4WD	1981	165	224	05.18-		■	
						SUV (Luxury Crossover SUV-J Segment)				
BX7 04.16-										
28TGD i (BWE420B)		Gasolina	FWD	1981	165	224	04.16-12.21		■	
28TGD i AWD (BWE420B)		Gasolina	4WD	1981	165	224	04.16-12.21		■	
						SUV (Luxury Crossover SUV-J Segment)				
BXi7 05.18-										
EV (TZ180XS)		Eléctrico			178	242	05.18-		■	
SEAT										
						Box Body/MPV (Large MPV-M1 Segment)				
ALHAMBRA II (711) 06.10-										
TSi		Gasolina	FWD	1395	110	150	05.15-12.22		■	
						MPV (Large MPV-M1 Segment)				
ALHAMBRA II (710, 711) 06.10-										
1.4 TSI (CAVA)		Gasolina	FWD	1390	110	150	06.10-04.15		■	
1.4 TSI (CNWB)		Gasolina	FWD	1390	110	150	06.10-04.15		■	
1.4 TSI (CTHA)		Gasolina	FWD	1390	110	150	06.10-04.15		■	
1.4 TSI (CZDA)		Gasolina	FWD	1395	110	150	05.15-12.22		■	
1.4 TSI (DJKA)		Gasolina	FWD	1395	110	150	05.15-12.22		■	
1.8 TSI (CDAA)	discØ 282	Gasolina	FWD	1798	118	160	11.12-04.15		■	
2.0 TSI (CCZA)		Gasolina	FWD	1984	147	200	11.10-05.12		■	
2.0 TDI (CFFE)		Diesel	FWD	1968	85	115	05.11-12.22		■	
2.0 TDI (CUVA)		Diesel	FWD	1968	85	115	05.11-12.22		■	
2.0 TDI (DFLD)		Diesel	FWD	1968	85	115	05.11-12.22		■	
2.0 TDI (DLTC)		Diesel	FWD	1968	85	115	05.11-12.22		■	
2.0 TDI (CFFA)		Diesel	FWD	1968	100	136	06.10-05.11		■	
2.0 TDI (CFFB)		Diesel	FWD	1968	103	140	06.10-04.15		■	
2.0 TDI 4Drive (CFFB)		Diesel	4WD	1968	103	140	05.11-04.15		■	
2.0 TDI (CFGB)		Diesel	FWD	1968	125	170	06.10-02.13		■	
2.0 TDI (CFGC)		Diesel	FWD	1968	130	177	11.12-12.22		■	
2.0 TDI (DLUB)		Diesel	FWD	1968	130	177	11.12-12.22		■	
SKODA										
						Hatchback (Compact car-C Segment)				
OCTAVIA III (5E3, NL3, NR3) 11.12-										
1.0 TSI (CHZD)	PR 1KW	Gasolina	FWD	999	85	115	05.16-10.20		■	
1.0 TSI (DKRA)	PR 1KW	Gasolina	FWD	999	85	115	05.16-10.20		■	
1.0 TSI (DKRF)	PR 1KW	Gasolina	FWD	999	85	115	05.16-10.20		■	
1.2 TSI (CJZB)	PR 1KW	Gasolina	FWD	1197	63	86	11.12-02.17		■	
1.2 TSI (CYVA)	PR 1KW	Gasolina	FWD	1197	63	86	11.12-02.17		■	
1.2 TSI (CJZA)	PR 1KW	Gasolina	FWD	1197	77	105	11.12-02.17		■	
1.2 TSI (CYVB)	PR 1KW	Gasolina	FWD	1197	81	110	05.15-02.17		■	
1.4 TSI (CHPA)	PR 1KW	Gasolina	FWD	1395	103	140	11.12-02.17		■	

LISTA DE APLICACIONES - BUYERS GUIDE

1.4 TSI (CHPB)	PR 1KW	Gasolina	FWD	1395	110	150	08.14-10.20	■
1.4 TSI (CZDA)	PR 1KW	Gasolina	FWD	1395	110	150	08.14-10.20	■
1.6 (CWVA)	PR 1KW	Gasolina	FWD	1598	81	110	01.14-10.20	■
1.8 TSI (CJSA)	PR 1KW	Gasolina	FWD	1798	132	180	11.12-10.20	■
1.8 TSI 4x4 (CJSB)	PR 1KW	Gasolina	4WD	1798	132	180	05.14-10.20	■
2.0 TSI RS (CHHB)	PR 1KW	Gasolina	FWD	1984	162	220	05.13-02.17	■
2.0 TSI RS (CHHA)	PR 1KW	Gasolina	FWD	1984	169	230	05.15-10.20	■
1.4 TSI G-TEC (CPWA)	PR 1KW	Gasol./Gas (CNG)	FWD	1395	81	110	11.13-02.17	■
1.6 TDI (CLHB)	PR 1KW	Diesel	FWD	1598	66	90	11.12-10.20	■
1.6 TDI (CRKA)	PR 1KW	Diesel	FWD	1598	66	90	11.12-10.20	■
1.6 TDI (CXXA)	PR 1KW	Diesel	FWD	1598	66	90	11.12-10.20	■
1.6 TDI (DDYB)	PR 1KW	Diesel	FWD	1598	66	90	11.12-10.20	■
1.6 TDI (CLHA)	PR 1KW	Diesel	FWD	1598	77	105	11.12-05.15	■
1.6 TDI 4x4 (CLHA)	PR 1KW	Diesel	4WD	1598	77	105	05.13-05.15	■
1.6 TDI (CRKB)	PR 1KW	Diesel	FWD	1598	81	110	05.13-02.17	■
1.6 TDI (CXXB)	PR 1KW	Diesel	FWD	1598	81	110	05.13-02.17	■
1.6 TDI (DBKA)	PR 1KW	Diesel	FWD	1598	81	110	05.13-02.17	■
1.6 TDI 4x4 (CRKB)	PR 1KW	Diesel	4WD	1598	81	110	05.15-02.17	■
1.6 TDI 4x4 (CXXB)	PR 1KW	Diesel	4WD	1598	81	110	05.15-02.17	■
2.0 TDI (CKFB)	PR 1KW	Diesel	FWD	1968	105	143	11.12-02.17	■
2.0 TDI (CRVC)	PR 1KW	Diesel	FWD	1968	105	143	11.12-02.17	■
2.0 TDI (CKFC)	PR 1KW	Diesel	FWD	1968	110	150	11.12-10.20	■
2.0 TDI (CRMB)	PR 1KW	Diesel	FWD	1968	110	150	11.12-10.20	■
2.0 TDI (CYKA)	PR 1KW	Diesel	FWD	1968	110	150	11.12-10.20	■
2.0 TDI (DCYA)	PR 1KW	Diesel	FWD	1968	110	150	11.12-10.20	■
2.0 TDI (DFFA)	PR 1KW	Diesel	FWD	1968	110	150	11.12-10.20	■
2.0 TDI 4x4 (CKFC)	PR 1KW	Diesel	4WD	1968	110	150	05.13-10.20	■
2.0 TDI 4x4 (CRMB)	PR 1KW	Diesel	4WD	1968	110	150	05.13-10.20	■
2.0 TDI 4x4 (DCYA)	PR 1KW	Diesel	4WD	1968	110	150	05.13-10.20	■
2.0 TDI 4x4 (DFFA)	PR 1KW	Diesel	4WD	1968	110	150	05.13-10.20	■
2.0 TDI / TDI RS 4x4 (CUNA)	PR 1KW	Diesel	4WD	1968	135	184	05.13-10.20	■
2.0 TDI / TDI RS 4x4 (CUPA)	PR 1KW	Diesel	4WD	1968	135	184	05.13-10.20	■
2.0 TDI / TDI RS 4x4 (DJGA)	PR 1KW	Diesel	4WD	1968	135	184	05.13-10.20	■
2.0 TDI RS (CUNA)	PR 1KW	Diesel	FWD	1968	135	184	05.13-10.20	■
2.0 TDI RS (CUPA)	PR 1KW	Diesel	FWD	1968	135	184	05.13-10.20	■
2.0 TDI RS (DJGA)	PR 1KW	Diesel	FWD	1968	135	184	05.13-10.20	■
OCTAVIA III Combi (5E5, 5E6) 11.12-				Estate (Compact car-C Segment)				
1.0 TSI (CHZD)	PR 1KW	Gasolina	FWD	999	85	115	05.16-10.20	■
1.0 TSI (DKRA)	PR 1KW	Gasolina	FWD	999	85	115	05.16-10.20	■
1.0 TSI (DKRF)	PR 1KW	Gasolina	FWD	999	85	115	05.16-10.20	■
1.2 TSI (CJZB)	PR 1KW	Gasolina	FWD	1197	63	86	11.12-02.17	■
1.2 TSI (CYVA)	PR 1KW	Gasolina	FWD	1197	63	86	11.12-02.17	■
1.2 TSI (CJZA)	PR 1KW	Gasolina	FWD	1197	77	105	11.12-02.17	■
1.2 TSI (CYVB)	PR 1KW	Gasolina	FWD	1197	81	110	05.15-02.17	■
1.4 TSI (CHPA)	PR 1KW	Gasolina	FWD	1395	103	140	11.12-02.17	■
1.4 TSI (CHPB)	PR 1KW	Gasolina	FWD	1395	110	150	08.14-10.20	■
1.4 TSI (CZDA)	PR 1KW	Gasolina	FWD	1395	110	150	08.14-10.20	■
1.6 SRE (CWVA)	PR 1KW	Gasolina	FWD	1598	81	110	01.14-02.17	■
1.8 TSI (CJSA)	PR 1KW	Gasolina	FWD	1798	132	180	11.12-10.20	■
1.8 TSI (CJSB)	PR 1KW	Gasolina	FWD	1798	132	180	11.12-10.20	■

LISTA DE APLICACIONES - BUYERS GUIDE

1.8 TSI 4x4 (CJSB)	PR 1KW	Gasolina	4WD	1798	132	180	11.12-02.17	■
2.0 TSI RS (CHHB)	PR 1KW	Gasolina	FWD	1984	162	220	11.12-02.17	■
2.0 TSI RS (CHHA)	PR 1KW	Gasolina	FWD	1984	169	230	05.15-10.20	■
1.4 TSI G-TEC (CPWA)	PR 1KW	Gasol./Gas (CNG)	FWD	1395	81	110	11.12-02.17	■
1.6 TDI (CLHB)	PR 1KW	Diesel	FWD	1598	66	90	11.12-10.20	■
1.6 TDI (CRKA)	PR 1KW	Diesel	FWD	1598	66	90	11.12-10.20	■
1.6 TDI (CXXA)	PR 1KW	Diesel	FWD	1598	66	90	11.12-10.20	■
1.6 TDI (DDYB)	PR 1KW	Diesel	FWD	1598	66	90	11.12-10.20	■
1.6 TDI (CLHA)	PR 1KW	Diesel	FWD	1598	77	105	11.12-05.15	■
1.6 TDI 4x4 (CLHA)	PR 1KW	Diesel	4WD	1598	77	105	11.12-05.15	■
1.6 TDI (CRKB)	PR 1KW	Diesel	FWD	1598	81	110	05.13-02.17	■
1.6 TDI (CXXB)	PR 1KW	Diesel	FWD	1598	81	110	05.13-02.17	■
1.6 TDI (DBKA)	PR 1KW	Diesel	FWD	1598	81	110	05.13-02.17	■
1.6 TDI 4x4 (CRKB)	PR 1KW	Diesel	4WD	1598	81	110	05.15-02.17	■
1.6 TDI 4x4 (CXXB)	PR 1KW	Diesel	4WD	1598	81	110	05.15-02.17	■
1.6 TDI 4x4 (DBKA)	PR 1KW	Diesel	4WD	1598	81	110	05.15-02.17	■
2.0 TDI (CKFB)	PR 1KW	Diesel	FWD	1968	105	143	11.12-02.17	■
2.0 TDI (CRVC)	PR 1KW	Diesel	FWD	1968	105	143	11.12-02.17	■
2.0 TDI (CKFC)	PR 1KW	Diesel	FWD	1968	110	150	11.12-10.20	■
2.0 TDI (CRMB)	PR 1KW	Diesel	FWD	1968	110	150	11.12-10.20	■
2.0 TDI (CYKA)	PR 1KW	Diesel	FWD	1968	110	150	11.12-10.20	■
2.0 TDI (DCYA)	PR 1KW	Diesel	FWD	1968	110	150	11.12-10.20	■
2.0 TDI (DFFA)	PR 1KW	Diesel	FWD	1968	110	150	11.12-10.20	■
2.0 TDI 4x4 (CKFC)	PR 1KW	Diesel	4WD	1968	110	150	11.12-10.20	■
2.0 TDI 4x4 (CRMB)	PR 1KW	Diesel	4WD	1968	110	150	11.12-10.20	■
2.0 TDI 4x4 (DCYA)	PR 1KW	Diesel	4WD	1968	110	150	11.12-10.20	■
2.0 TDI 4x4 (DFFA)	PR 1KW	Diesel	4WD	1968	110	150	11.12-10.20	■
2.0 TDI / TDI RS 4x4 (CUNA)	PR 1KW	Diesel	4WD	1968	135	184	05.13-10.20	■
2.0 TDI / TDI RS 4x4 (CUPA)	PR 1KW	Diesel	4WD	1968	135	184	05.13-10.20	■
2.0 TDI / TDI RS 4x4 (DJGA)	PR 1KW	Diesel	4WD	1968	135	184	05.13-10.20	■
2.0 TDI RS (CUNA)	PR 1KW	Diesel	FWD	1968	135	184	05.13-10.20	■
2.0 TDI RS (CUPA)	PR 1KW	Diesel	FWD	1968	135	184	05.13-10.20	■
2.0 TDI RS (DJGA)	PR 1KW	Diesel	FWD	1968	135	184	05.13-10.20	■

VW

CC B7 (358) 11.11-10.17								Coupe (Large family car-D Segment)
1.4 TSI (CTHD)	PR 1KW	Gasolina	FWD	1390	118	160	11.11-12.16	■
1.4 TSI (CZDA)	PR 1KW	Gasolina	FWD	1395	110	150	05.15-12.16	■
1.8 TSI (CDAB)	PR 1KW	Gasolina	FWD	1798	112	152	11.11-12.16	■
1.8 TSI (CDAA)	PR 1KW	Gasolina	FWD	1798	118	160	11.11-12.16	■
2.0 TFSI (CBFA)	PR 1KW, discØ 282	Gasolina	FWD	1984	147	200	11.11-12.16	■
2.0 TFSI (CCTA)	PR 1KW, discØ 282	Gasolina	FWD	1984	147	200	11.11-12.16	■
2.0 TSI (CCZB)	PR 1KW	Gasolina	FWD	1984	155	210	11.11-12.16	■
3.6 FSI	PR 1KW, PR 2EA	Gasolina	FWD	3597	206	280	11.11-	■
3.6 FSI	PR 1KW, PR 2EA	Gasolina	FWD	3597	206	280	11.11-	■
3.6 FSI 4motion (BWS)	PR 2EA	Gasolina	4WD	3597	220	300	11.11-12.16	■
1.4 TSI MultiFuel (CKMA)	PR 1KW	Gasol./Etanol	FWD	1390	118	160	11.11-12.16	■
2.0 TDI (CFFA)	PR 1KW	Diesel	FWD	1968	100	136	11.11-12.16	■
2.0 TDI (CFFB)	PR 1KW	Diesel	FWD	1968	103	140	11.11-12.16	■
2.0 TDI 4motion (CFFB)	PR 1KW	Diesel	4WD	1968	103	140	11.11-12.16	■

LISTA DE APLICACIONES - BUYERS GUIDE

2.0 TDI (CUVC)	PR 1KW, PR 2EA	Diesel	FWD	1968	110	150	05.15-12.16	■	
2.0 TDI (CFGB)	PR 1KW	Diesel	FWD	1968	125	170	11.11-12.16	■	
2.0 TDI (CLLA)	PR 1KW	Diesel	FWD	1968	125	170	11.11-12.16	■	
2.0 TDI 4motion (CFGB)	PR 1KW	Diesel	4WD	1968	125	170	11.11-01.13	■	
2.0 TDI (CFGC)	PR 1KW	Diesel	FWD	1968	130	177	12.12-12.16	■	
2.0 TDI 4motion (CFGC)	PR 1KW, PR 2EA	Diesel	4WD	1968	130	177	12.12-12.16	■	
2.0 TDI (CUWA)	PR 1KW, PR 2EA	Diesel	FWD	1968	135	184	05.15-12.16	■	
PASSAT B6 (3C2) 03.05-12.13							Saloon (Large family car-D Segment)		
1.4 TSI (CAXA)	01/08-, ch. 3C-8-000001-, PR 2EA, PR 2EL, discØ 310 PR 1KU, discØ 286, discØ 282, PR 1KW	Gasolina	FWD	1390	90	122	05.07-07.10	■	
1.6 (BSE)	01/08-, ch. 3C-8-000001-, PR 2EA, PR 2EL, discØ 310 PR 1KU, discØ 286, discØ 282, PR 1KW	Gasolina	FWD	1595	75	102	05.05-07.10	■	
1.6 (BSF)	01/08-, ch. 3C-8-000001-, PR 2EA, PR 2EL, discØ 310 PR 1KU, discØ 286, discØ 282, PR 1KW	Gasolina	FWD	1595	75	102	05.05-07.10	■	
1.6 FSI (BLF)	01/08-, ch. 3C-8-000001-, PR 2EA, PR 2EL, discØ 310 PR 1KU, discØ 286, discØ 282	Gasolina	FWD	1598	85	115	03.05-06.08	■	
1.8 TSI (CDAB)	discØ 282, PR 1KW, PR 1KU	Gasolina	FWD	1798	112	152	11.09-07.10	■	
1.8 TSI (CGYA)	discØ 282, PR 1KW, PR 1KU	Gasolina	FWD	1798	112	152	11.09-07.10	■	
1.8 TSI (BZB)	01/08-, ch. 3C-8-000001-, PR 2EA, PR 2EL, discØ 310 PR 1KU, discØ 286, discØ 282, PR 1KW	Gasolina	FWD	1798	118	160	05.07-07.10	■	
1.8 TSI (CDA A)	01/08-, ch. 3C-8-000001-, PR 2EA, PR 2EL, discØ 310 PR 1KU, discØ 286, discØ 282, PR 1KW	Gasolina	FWD	1798	118	160	05.07-07.10	■	
2.0 FSI (BLR)	01/08-, ch. 3C-8-000001-, PR 2EA, PR 2EL, discØ 310 PR 1KU, discØ 286, discØ 282, PR 1KW	Gasolina	FWD	1984	110	150	03.05-07.10	■	
2.0 FSI (BLY)	01/08-, ch. 3C-8-000001-, PR 2EA, PR 2EL, discØ 310 PR 1KU, discØ 286, discØ 282, PR 1KW	Gasolina	FWD	1984	110	150	03.05-07.10	■	
2.0 FSI (BVY)	01/08-, ch. 3C-8-000001-, PR 2EA, PR 2EL, discØ 310 PR 1KU, discØ 286, discØ 282, PR 1KW	Gasolina	FWD	1984	110	150	03.05-07.10	■	
2.0 FSI (BVZ)	01/08-, ch. 3C-8-000001-, PR 2EA, PR 2EL, discØ 310 PR 1KU, discØ 286, discØ 282, PR 1KW	Gasolina	FWD	1984	110	150	03.05-07.10	■	
2.0 FSI 4motion (BLX)	01/08-, ch. 3C-8-000001-, PR 2EA, PR 2EL, discØ 310 PR 1KU, discØ 286, discØ 282, PR 1KW	Gasolina	4WD	1984	110	150	09.05-07.10	■	
2.0 FSI 4motion (BLY)	01/08-, ch. 3C-8-000001-, PR 2EA, PR 2EL, discØ 310 PR 1KU, discØ 286, discØ 282, PR 1KW	Gasolina	4WD	1984	110	150	09.05-07.10	■	
2.0 FSI 4motion (BVX)	01/08-, ch. 3C-8-000001-, PR 2EA, PR 2EL, discØ 310 PR 1KU, discØ 286, discØ 282, PR 1KW	Gasolina	4WD	1984	110	150	09.05-07.10	■	
2.0 FSI (CCTB)	01/08-, discØ 282, PR 1KU, PR 1KW	Gasolina	FWD	1984	125	170	08.07-07.10	■	
2.0 TFSI (AXX)	01/08-, ch. 3C-8-000001-, PR 2EA, PR 2EL, discØ 310 PR 1KU, discØ 286, discØ 282, PR 1KW	Gasolina	FWD	1984	147	200	07.05-07.10	■	
2.0 TFSI (BPY)	01/08-, ch. 3C-8-000001-, PR 2EA, PR 2EL, discØ 310 PR 1KU, discØ 286, discØ 282, PR 1KW	Gasolina	FWD	1984	147	200	07.05-07.10	■	

LISTA DE APLICACIONES - BUYERS GUIDE

2.0 TFSI (BWA)	01/08-, ch. 3C-8-000001-, PR 2EA, PR 2EL, discØ 310 PR 1KU, discØ 286, discØ 282, PR 1KW	Gasolina	FWD	1984	147	200	07.05-07.10	■
2.0 TFSI (CAWB)	01/08-, ch. 3C-8-000001-, PR 2EA, PR 2EL, discØ 310 PR 1KU, discØ 286, discØ 282, PR 1KW	Gasolina	FWD	1984	147	200	07.05-07.10	■
2.0 TFSI (CBFA)	01/08-, ch. 3C-8-000001-, PR 2EA, PR 2EL, discØ 310 PR 1KU, discØ 286, discØ 282, PR 1KW	Gasolina	FWD	1984	147	200	07.05-07.10	■
2.0 TFSI (CCTA)	01/08-, ch. 3C-8-000001-, PR 2EA, PR 2EL, discØ 310 PR 1KU, discØ 286, discØ 282, PR 1KW	Gasolina	FWD	1984	147	200	07.05-07.10	■
2.0 TFSI (CCZA)	01/08-, ch. 3C-8-000001-, PR 2EA, PR 2EL, discØ 310 PR 1KU, discØ 286, discØ 282, PR 1KW	Gasolina	FWD	1984	147	200	07.05-07.10	■
3.2 FSI 4motion (AXZ)	01/08-, ch. 3C-8-000001-, PR 2EA, PR 2EL, discØ 310 PR 1KU, discØ 286	Gasolina	4WD	3168	184	250	11.05-07.10	■
3.6 FSI	01/08-	Gasolina	FWD	3597	206	280	09.05-	■
3.6 R36 4motion (BWS)	01/08-, ch. 3C-8-000001-, PR 2EA, PR 2EL, discØ 310 PR 1KU, discØ 286	Gasolina	4WD	3597	220	300	04.07-07.10	■
1.4 TSI EcoFuel (CDGA)	ch. 3C-8-000001-, PR 2EA, PR 2EL, discØ 310 PR 1KU, discØ 286, discØ 282, PR 1KW	Gasol./Gas (CNG)	FWD	1390	110	150	01.09-07.10	■
1.6 TDI (CAYC)	ch. 3C-8-000001-, PR 2EA, PR 2EL, discØ 310 PR 1KU, discØ 286, discØ 282, PR 1KW	Diesel	FWD	1598	77	105	08.09-07.10	■
1.9 TDI (BKC)	01/08-, ch. 3C-8-000001-, PR 2EA, PR 2EL, discØ 310 PR 1KU, discØ 286, discØ 282, PR 1KW	Diesel	FWD	1896	77	105	03.05-07.10	■
1.9 TDI (BLS)	01/08-, ch. 3C-8-000001-, PR 2EA, PR 2EL, discØ 310 PR 1KU, discØ 286, discØ 282, PR 1KW	Diesel	FWD	1896	77	105	03.05-07.10	■
1.9 TDI (BXE)	01/08-, ch. 3C-8-000001-, PR 2EA, PR 2EL, discØ 310 PR 1KU, discØ 286, discØ 282, PR 1KW	Diesel	FWD	1896	77	105	03.05-07.10	■
2.0 TDI (CBDC)	01/09-, ch. 3C-8-000001-, PR 2EA, PR 2EL, discØ 310 PR 1KU, discØ 286, discØ 282, PR 1KW	Diesel	FWD	1968	81	110	11.08-07.10	■
2.0 TDI (BWV)	ch. 3C-8-000001-, PR 2EA, PR 2EL, discØ 310 PR 1KU, discØ 286	Diesel	FWD	1968	88	120	11.05-05.07	■
2.0 TDI (BVE)	PR 1KU, discØ 282	Diesel	FWD	1968	90	122	08.05-07.06	■
2.0 TDI (BMA)	01/08-, ch. 3C-8-000001-, PR 2EA, PR 2EL, discØ 310 PR 1KU, discØ 286, discØ 282, PR 1KW	Diesel	FWD	1968	100	136	03.05-11.10	■
2.0 TDI (CBAA)	01/08-, ch. 3C-8-000001-, PR 2EA, PR 2EL, discØ 310 PR 1KU, discØ 286, discØ 282, PR 1KW	Diesel	FWD	1968	100	136	03.05-11.10	■
2.0 TDI (BMP)	01/08-, ch. 3C-8-000001-, PR 2EA, PR 2EL, discØ 310 PR 1KU, discØ 286, discØ 282, PR 1KW	Diesel	FWD	1968	103	140	03.05-05.09	■
2.0 TDI 16V (BKP)	01/08-, ch. 3C-8-000001-, PR 2EA, PR 2EL, discØ 310 PR 1KU, discØ 286, discØ 282, PR 1KW	Diesel	FWD	1968	103	140	03.05-07.10	■
2.0 TDI 16V (CBAB)	01/08-, ch. 3C-8-000001-, PR 2EA, PR 2EL, discØ 310 PR 1KU, discØ 286, discØ 282, PR 1KW	Diesel	FWD	1968	103	140	03.05-07.10	■
2.0 TDI 16V 4motion (BKP)	01/08-, ch. 3C-8-000001-, PR 2EA, PR 2EL, discØ 310 PR 1KU, discØ 286	Diesel	4WD	1968	103	140	03.05-08.10	■

LISTA DE APLICACIONES - BUYERS GUIDE

2.0 TDI 16V 4motion (CBAB)	01/08-, ch. 3C-8-000001-, PR 2EA, PR 2EL, discØ 310 PR 1KU, discØ 286	Diesel	4WD	1968	103	140	03.05-08.10	■
2.0 TDI 4motion (BMP)	01/08-, ch. 3C-8-000001-, PR 2EA, PR 2EL, discØ 310 PR 1KU, discØ 286, discØ 282	Diesel	4WD	1968	103	140	03.05-05.09	■
2.0 BlueTDI (CBAC)	ch. 3C-8-000001-, PR 2EA, PR 2EL, discØ 310 PR 1KU, discØ 286, discØ 282, PR 1KW	Diesel	FWD	1968	105	143	01.09-11.10	■
2.0 TDI (BUZ)	01/08-, discØ 282, PR 1KU, PR 1KW	Diesel	FWD	1968	120	163	08.05-05.09	■
2.0 TDI (BMR)	01/08-, ch. 3C-8-000001-, PR 2EA, PR 2EL, discØ 310 PR 1KU, discØ 286, discØ 282, PR 1KW	Diesel	FWD	1968	125	170	08.05-07.10	■
2.0 TDI (CBBB)	01/08-, ch. 3C-8-000001-, PR 2EA, PR 2EL, discØ 310 PR 1KU, discØ 286, discØ 282, PR 1KW	Diesel	FWD	1968	125	170	08.05-07.10	■
2.0 TDI 4motion (CBBB)	ch. 3C-8-000001-, PR 2EA, PR 2EL, discØ 310 PR 1KU, discØ 286, discØ 282, PR 1KW	Diesel	4WD	1968	125	170	05.09-07.10	■
PASSAT B6 CC (357) 02.08-12.13				Coupe (Large family car-D Segment)				
1.8 TSI (CDAB)		Gasolina	FWD	1798	112	152	11.08-05.10	■
1.8 TSI (CGYA)		Gasolina	FWD	1798	112	152	11.08-05.10	■
1.8 TSI (BZB)	ch. 3C_9_547725-, discØ 286, PR 1KW	Gasolina	FWD	1798	118	160	06.08-01.12	■
1.8 TSI (CDAA)	ch. 3C_9_547725-, discØ 286, PR 1KW	Gasolina	FWD	1798	118	160	06.08-01.12	■
2.0 TFSI (CAWB)	ch. 3C_9_547725-, PR 1KW	Gasolina	FWD	1984	147	200	06.08-01.12	■
2.0 TFSI (CBFA)	ch. 3C_9_547725-, PR 1KW	Gasolina	FWD	1984	147	200	06.08-01.12	■
2.0 TFSI (CCTA)	ch. 3C_9_547725-, PR 1KW	Gasolina	FWD	1984	147	200	06.08-01.12	■
2.0 TFSI (CCZA)	ch. 3C_9_547725-, PR 1KW	Gasolina	FWD	1984	147	200	06.08-01.12	■
2.0 TSI (CCZB)	ch. 3C_9_547725-, PR 1KW	Gasolina	FWD	1984	155	211	11.10-01.12	■
3.6 FSI 4motion (BLV)	discØ 282, PR 1KU, PR 1KW discØ 310, PR 2EA	Gasolina	4WD	3580	206	280	06.08-01.12	■
3.6 FSI 4motion (CNNA)	discØ 282, PR 1KU, PR 1KW discØ 310, PR 2EA	Gasolina	4WD	3580	206	280	06.08-01.12	■
3.6 FSI		Gasolina	FWD	3597	206	280	06.08-	■
3.6 FSI 4motion (BWS)	discØ 310, PR 2EA	Gasolina	4WD	3597	220	300	02.08-12.11	■
1.4 TSI MultiFuel (CKMA)	ch. 3C_9_547725-, discØ 286, PR 1KW	Gasol./Etanol	FWD	1390	118	160	01.11-01.12	■
2.0 TDI (CBAA)	ch. 3C_9_547725-, discØ 286, PR 1KW	Diesel	FWD	1968	100	136	06.08-05.11	■
2.0 TDI (CFFA)	ch. 3C_9_547725-, discØ 286, PR 1KW	Diesel	FWD	1968	100	136	06.08-05.11	■
2.0 TDI (CBAB)	ch. 3C_9_547725-, discØ 286, PR 1KW	Diesel	FWD	1968	103	140	06.08-01.12	■
2.0 TDI (CFFB)	ch. 3C_9_547725-, discØ 286, PR 1KW	Diesel	FWD	1968	103	140	06.08-01.12	■
2.0 TDI 4motion (CBAB)	ch. 3C_9_547725-, discØ 286, PR 1KW	Diesel	4WD	1968	103	140	08.09-01.12	■
2.0 TDI 4motion (CFFB)	ch. 3C_9_547725-, discØ 286, PR 1KW	Diesel	4WD	1968	103	140	08.09-01.12	■
2.0 BlueTDI (CBAC)	ch. 3C_9_547725-, discØ 286, PR 1KW	Diesel	FWD	1968	105	143	05.09-11.10	■
2.0 TDI (CBBA)	ch. 3C_9_547725-, discØ 286, PR 1KW	Diesel	FWD	1968	120	163	02.08-05.09	■
2.0 TDI (CBBB)	ch. 3C_9_547725-, discØ 286, PR 1KW	Diesel	FWD	1968	125	170	06.08-01.12	■
2.0 TDI (CFGB)	ch. 3C_9_547725-, discØ 286, PR 1KW	Diesel	FWD	1968	125	170	06.08-01.12	■
2.0 TDI (CLLA)	ch. 3C_9_547725-, discØ 286, PR 1KW	Diesel	FWD	1968	125	170	06.08-01.12	■
2.0 TDI 4motion (CBBB)	ch. 3C_9_547725-, PR 1KW	Diesel	4WD	1968	125	170	11.09-01.12	■
2.0 TDI 4motion (CFGB)	ch. 3C_9_547725-, PR 1KW	Diesel	4WD	1968	125	170	11.09-01.12	■

LISTA DE APLICACIONES - BUYERS GUIDE

PASSAT B6 Variant (3C5) 08.05-11.11						Estate (Large family car-D Segment)			
1.4 TSI (CAXA)	01/08-, ch. 3C-8-000001-, PR 2EA, PR 2EL, discØ 310 PR 1KU, discØ 286, discØ 282, PR 1KW	Gasolina	FWD	1390	90	122	05.07-11.10	■	
1.6 (BSE)	01/08-, ch. 3C-8-000001-, PR 2EA, PR 2EL, discØ 310 PR 1KU, discØ 286, discØ 282, PR 1KW	Gasolina	FWD	1595	75	102	08.05-11.10	■	
1.6 (BSF)	01/08-, ch. 3C-8-000001-, PR 2EA, PR 2EL, discØ 310 PR 1KU, discØ 286, discØ 282, PR 1KW	Gasolina	FWD	1595	75	102	08.05-11.10	■	
1.6 FSI (BLF)	01/08-, ch. 3C-8-000001-, PR 2EA, PR 2EL, discØ 310 PR 1KU, discØ 286, discØ 282	Gasolina	FWD	1598	85	115	08.05-06.08	■	
1.8 TSI (CDAB)	discØ 282, PR 1KU, PR 1KW	Gasolina	FWD	1798	112	152	11.09-11.10	■	
1.8 TSI (CGYA)	discØ 282, PR 1KU, PR 1KW	Gasolina	FWD	1798	112	152	11.09-11.10	■	
1.8 TSI (BZB)	01/08-, ch. 3C-8-000001-, PR 2EA, PR 2EL, discØ 310 PR 1KU, discØ 286, discØ 282, PR 1KW	Gasolina	FWD	1798	118	160	05.07-10.11	■	
1.8 TSI (CDAA)	01/08-, ch. 3C-8-000001-, PR 2EA, PR 2EL, discØ 310 PR 1KU, discØ 286, discØ 282, PR 1KW	Gasolina	FWD	1798	118	160	05.07-10.11	■	
2.0 FSI (BLR)	01/08-, ch. 3C-8-000001-, PR 2EA, PR 2EL, discØ 310 PR 1KU, discØ 286, discØ 282, PR 1KW	Gasolina	FWD	1984	110	150	08.05-11.10	■	
2.0 FSI (BLY)	01/08-, ch. 3C-8-000001-, PR 2EA, PR 2EL, discØ 310 PR 1KU, discØ 286, discØ 282, PR 1KW	Gasolina	FWD	1984	110	150	08.05-11.10	■	
2.0 FSI (BVY)	01/08-, ch. 3C-8-000001-, PR 2EA, PR 2EL, discØ 310 PR 1KU, discØ 286, discØ 282, PR 1KW	Gasolina	FWD	1984	110	150	08.05-11.10	■	
2.0 FSI (BVZ)	01/08-, ch. 3C-8-000001-, PR 2EA, PR 2EL, discØ 310 PR 1KU, discØ 286, discØ 282, PR 1KW	Gasolina	FWD	1984	110	150	08.05-11.10	■	
2.0 FSI 4motion (BLX)	01/08-, ch. 3C-8-000001-, PR 2EA, PR 2EL, discØ 310 PR 1KU, discØ 286, discØ 282, PR 1KW	Gasolina	4WD	1984	110	150	09.05-11.10	■	
2.0 FSI 4motion (BLY)	01/08-, ch. 3C-8-000001-, PR 2EA, PR 2EL, discØ 310 PR 1KU, discØ 286, discØ 282, PR 1KW	Gasolina	4WD	1984	110	150	09.05-11.10	■	
2.0 FSI 4motion (BVX)	01/08-, ch. 3C-8-000001-, PR 2EA, PR 2EL, discØ 310 PR 1KU, discØ 286, discØ 282, PR 1KW	Gasolina	4WD	1984	110	150	09.05-11.10	■	
2.0 FSI	01/09-	Gasolina	FWD	1984	125	170	12.07-11.10	■	
2.0 TFSI (AXX)	01/08-, ch. 3C-8-000001-, PR 2EA, PR 2EL, discØ 310 PR 1KU, discØ 286, discØ 282, PR 1KW	Gasolina	FWD	1984	147	200	08.05-11.10	■	
2.0 TFSI (BPY)	01/08-, ch. 3C-8-000001-, PR 2EA, PR 2EL, discØ 310 PR 1KU, discØ 286, discØ 282, PR 1KW	Gasolina	FWD	1984	147	200	08.05-11.10	■	
2.0 TFSI (BWA)	01/08-, ch. 3C-8-000001-, PR 2EA, PR 2EL, discØ 310 PR 1KU, discØ 286, discØ 282, PR 1KW	Gasolina	FWD	1984	147	200	08.05-11.10	■	
2.0 TFSI (CAWB)	01/08-, ch. 3C-8-000001-, PR 2EA, PR 2EL, discØ 310 PR 1KU, discØ 286, discØ 282, PR 1KW	Gasolina	FWD	1984	147	200	08.05-11.10	■	
2.0 TFSI (CBFA)	01/08-, ch. 3C-8-000001-, PR 2EA, PR 2EL, discØ 310 PR 1KU, discØ 286, discØ 282, PR 1KW	Gasolina	FWD	1984	147	200	08.05-11.10	■	

LISTA DE APLICACIONES - BUYERS GUIDE

2.0 TFSI (CCTA)	01/08-, ch. 3C-8-000001-, PR 2EA, PR 2EL, discØ 310 PR 1KU, discØ 286, discØ 282, PR 1KW	Gasolina	FWD	1984	147	200	08.05-11.10	■
2.0 TFSI (CCZA)	01/08-, ch. 3C-8-000001-, PR 2EA, PR 2EL, discØ 310 PR 1KU, discØ 286, discØ 282, PR 1KW	Gasolina	FWD	1984	147	200	08.05-11.10	■
3.2 FSI 4motion (AXZ)	01/08-, ch. 3C-8-000001-, PR 2EA, PR 2EL, discØ 310 PR 1KU, discØ 286	Gasolina	4WD	3168	184	250	11.05-11.10	■
3.6 FSI		Gasolina	FWD	3597	206	280	09.05-	■
3.6 FSI		Gasolina	FWD	3597	206	280	09.05-	■
3.6 R36 4motion (BWS)	01/08-, ch. 3C-8-000001-, PR 2EA, PR 2EL, discØ 310 PR 1KU, discØ 286	Gasolina	4WD	3597	220	300	04.07-11.10	■
1.4 TSI EcoFuel (CDGA)	ch. 3C-8-000001-, PR 2EA, PR 2EL, discØ 310 PR 1KU, discØ 286, discØ 282, PR 1KW	Gasol./Gas (CNG)	FWD	1390	110	150	01.09-11.10	■
1.6 TDI (CAYC)	ch. 3C-8-000001-, PR 2EA, PR 2EL, discØ 310 PR 1KU, discØ 286, discØ 282, PR 1KW	Diesel	FWD	1598	77	105	08.09-11.10	■
1.9 TDI (BKC)	01/08-, ch. 3C-8-000001-, PR 2EA, PR 2EL, discØ 310 PR 1KU, discØ 286, discØ 282, PR 1KW	Diesel	FWD	1896	77	105	08.05-11.10	■
1.9 TDI (BLS)	01/08-, ch. 3C-8-000001-, PR 2EA, PR 2EL, discØ 310 PR 1KU, discØ 286, discØ 282, PR 1KW	Diesel	FWD	1896	77	105	08.05-11.10	■
1.9 TDI (BXE)	01/08-, ch. 3C-8-000001-, PR 2EA, PR 2EL, discØ 310 PR 1KU, discØ 286, discØ 282, PR 1KW	Diesel	FWD	1896	77	105	08.05-11.10	■
2.0 TDI (CBDC)	01/09-, ch. 3C-8-000001-, PR 2EA, PR 2EL, discØ 310 PR 1KU, discØ 286, discØ 282, PR 1KW	Diesel	FWD	1968	81	110	11.08-11.10	■
2.0 TDI (BWV)	ch. 3C-8-000001-, discØ 310, PR 2EA, PR 2EL PR 1KU, discØ 286	Diesel	FWD	1968	88	120	11.05-05.07	■
2.0 TDI (BVE)	ch. 3C-8-000001-, PR 2EA, PR 2EL, discØ 310 PR 1KU, discØ 286	Diesel	FWD	1968	90	122	08.05-02.06	■
2.0 TDI (BMA)	01/08-, ch. 3C-8-000001-, PR 2EA, PR 2EL, discØ 310 PR 1KU, discØ 286, discØ 282, PR 1KW	Diesel	FWD	1968	100	136	08.05-11.10	■
2.0 TDI (CBAA)	01/08-, ch. 3C-8-000001-, PR 2EA, PR 2EL, discØ 310 PR 1KU, discØ 286, discØ 282, PR 1KW	Diesel	FWD	1968	100	136	08.05-11.10	■
2.0 TDI (BMP)	01/08-, ch. 3C-8-000001-, PR 2EA, PR 2EL, discØ 310 PR 1KU, discØ 286, discØ 282	Diesel	FWD	1968	103	140	08.05-05.09	■
2.0 TDI 16V (BKP)	01/08-, ch. 3C-8-000001-, PR 2EA, PR 2EL, discØ 310 PR 1KU, discØ 286, discØ 282, PR 1KW	Diesel	FWD	1968	103	140	08.05-11.10	■
2.0 TDI 16V (CBAB)	01/08-, ch. 3C-8-000001-, PR 2EA, PR 2EL, discØ 310 PR 1KU, discØ 286, discØ 282, PR 1KW	Diesel	FWD	1968	103	140	08.05-11.10	■
2.0 TDI 16V 4motion (BKP)	01/08-, ch. 3C-8-000001-, PR 2EA, PR 2EL, discØ 310 PR 1KU, discØ 286, discØ 282, PR 1KW	Diesel	4WD	1968	103	140	08.05-11.10	■
2.0 TDI 16V 4motion (CBAB)	01/08-, ch. 3C-8-000001-, PR 2EA, PR 2EL, discØ 310 PR 1KU, discØ 286, discØ 282, PR 1KW	Diesel	4WD	1968	103	140	08.05-11.10	■
2.0 TDI 4motion (BMP)	01/08-, ch. 3C-8-000001-, PR 2EA, PR 2EL, discØ 310 PR 1KU, discØ 286	Diesel	4WD	1968	103	140	08.05-05.09	■

LISTA DE APLICACIONES - BUYERS GUIDE

2.0 BlueTDI (CBAC)	ch. 3C-8-000001-, PR 2EA, PR 2EL, discØ 310 PR 1KU, discØ 286, discØ 282, PR 1KW	Diesel	FWD	1968	105	143	01.09-11.10	■	
2.0 TDI (BUZ)	01/08-, discØ 282, PR 1KU, PR 1KW	Diesel	FWD	1968	120	163	08.05-05.09	■	
2.0 TDI (BMR)	01/08-, ch. 3C-8-000001-, PR 2EA, PR 2EL, discØ 310 PR 1KU, discØ 286, discØ 282, PR 1KW	Diesel	FWD	1968	125	170	08.05-11.10	■	
2.0 TDI (CBBB)	01/08-, ch. 3C-8-000001-, PR 2EA, PR 2EL, discØ 310 PR 1KU, discØ 286, discØ 282, PR 1KW	Diesel	FWD	1968	125	170	08.05-11.10	■	
2.0 TDI 4motion (CBBB)	ch. 3C-8-000001-, PR 2EA, PR 2EL, discØ 310 PR 1KU, discØ 286, PR 1KW	Diesel	4WD	1968	125	170	05.09-11.10	■	
PASSAT B7 (365) 08.10-12.14							Estate Van (Large family car-D Segment)		
1.4 TSI (CAXA)	PR 1KW	Gasolina	FWD	1390	90	122	08.10-12.14	■	
1.8 TSI		Gasolina	FWD	1798	112	152	08.10-12.14	■	
1.8 TSI (CDAA)	PR 1KW	Gasolina	FWD	1798	118	160	08.10-12.14	■	
2.0 TSI	discØ 282, PR 1KW	Gasolina	FWD	1984	155	211	11.10-12.14	■	
3.6 FSI 4motion (BWS)	discØ 310, PR 2EA	Gasolina	4WD	3597	220	299	01.11-12.14	■	
1.6 TDI (CAYC)	PR 1KW	Diesel	FWD	1598	77	105	08.10-12.14	■	
2.0 TDI		Diesel	FWD	1968	100	136	08.10-12.14	■	
2.0 TDI (CFFB)	PR 1KW	Diesel	FWD	1968	103	140	08.10-12.14	■	
2.0 TDI (CFGB)	PR 1KW	Diesel	FWD	1968	125	170	08.10-12.14	■	
2.0 TDI (CLLA)	PR 1KW	Diesel	FWD	1968	125	170	08.10-12.14	■	
2.0 TDI		Diesel	FWD	1968	130	177	08.10-12.14	■	
PASSAT B7 (362) 08.10-04.16							Saloon (Large family car-D Segment)		
1.4 TSI (CAXA)	discØ 282, PR 1KW	Gasolina	FWD	1390	90	122	08.10-12.14	■	
1.4 TSI (CTHD)	PR 1KW	Gasolina	FWD	1390	118	160	11.12-12.14	■	
1.8 TSI (CDAB)	PR 1KW	Gasolina	FWD	1798	112	152	02.11-12.14	■	
1.8 TSI (CDAA)	discØ 282, PR 1KW	Gasolina	FWD	1798	118	160	08.10-12.14	■	
2.0 TSI (CCZB)	discØ 282, PR 1KW	Gasolina	FWD	1984	155	210	11.10-12.14	■	
3.6 FSI		Gasolina	FWD	3597	206	280	01.12-	■	
3.6 FSI 4motion (BWS)	discØ 310, PR 2EA	Gasolina	4WD	3597	220	300	01.11-12.14	■	
1.4 TSI EcoFuel (CDGA)	discØ 282, PR 1KW	Gasol./Gas (CNG)	FWD	1390	110	150	08.10-12.14	■	
1.4 TSI MultiFuel (CKMA)	discØ 282, PR 1KW	Gasol./Etanol	FWD	1390	118	160	11.10-12.14	■	
1.6 TDI (CAYC)	discØ 282, PR 1KW	Diesel	FWD	1598	77	105	08.10-12.14	■	
2.0 TDI (CFFA)	discØ 282, PR 1KW	Diesel	FWD	1968	100	136	08.10-12.14	■	
2.0 TDI (CFFB)	discØ 282, PR 1KW	Diesel	FWD	1968	103	140	08.10-12.14	■	
2.0 TDI (CFFB)		Diesel	FWD	1968	103	140	04.11-06.15	■	
2.0 TDI (CKRA)		Diesel	FWD	1968	103	140	04.11-06.15	■	
2.0 TDI 4motion (CFFB)	discØ 282, PR 1KW	Diesel	4WD	1968	103	140	08.10-12.14	■	
2.0 TDI (CFGB)	discØ 282, PR 1KW	Diesel	FWD	1968	125	170	08.10-12.14	■	
2.0 TDI (CLLA)	discØ 282, PR 1KW	Diesel	FWD	1968	125	170	08.10-12.14	■	
2.0 TDI 4motion (CFGB)	discØ 282, PR 1KW	Diesel	4WD	1968	125	170	08.10-01.13	■	
2.0 TDI (CFGC)	PR 1KW	Diesel	FWD	1968	130	177	12.12-12.14	■	
2.0 TDI 4motion (CFGC)	PR 1KW	Diesel	4WD	1968	130	177	01.13-12.14	■	
PASSAT B7 ALLTRACK (365) 01.12-12.14							Estate (Large family car-D Segment)		
1.8 TSI (CDAB)	PR 1KW, elec.brake detention	Gasolina	FWD	1798	112	152	01.12-12.14	■	
1.8 TSI (CDAA)	PR 1KW, elec.brake detention	Gasolina	FWD	1798	118	160	01.12-12.14	■	
2.0 TSI 4motion (CCZB)	PR 1KW, elec.brake detention	Gasolina	4WD	1984	155	210	01.12-12.14	■	
2.0 TDI (CFFB)	PR 1KW, elec.brake detention	Diesel	FWD	1968	103	140	01.12-12.14	■	

LISTA DE APLICACIONES - BUYERS GUIDE

2.0 TDI 4motion (CFFB)	PR 1KW, elec.brake detention	Diesel	4WD	1968	103	140	01.12-12.14	■
2.0 TDI 4motion (CFGB)	PR 1KW, elec.brake detention	Diesel	4WD	1968	125	170	01.12-12.14	■
2.0 TDI 4motion (CFGC)	PR 1KW, elec.brake detention	Diesel	4WD	1968	130	177	01.13-12.14	■
PASSAT B7 Variant (365) 08.10-12.15				Estate (Large family car-D Segment)				
1.4 TSI (CAXA)	discØ 282, PR 1KW	Gasolina	FWD	1390	90	122	08.10-12.14	■
1.4 TSI (CTHD)	PR 1KW	Gasolina	FWD	1390	118	160	11.12-12.14	■
1.8 TSI (CDAB)	PR 1KW	Gasolina	FWD	1798	112	152	02.11-12.14	■
1.8 TSI (CDAA)	discØ 282, PR 1KW	Gasolina	FWD	1798	118	160	08.10-12.14	■
2.0 TSI (CCZB)	discØ 282, PR 1KW	Gasolina	FWD	1984	155	210	11.10-12.15	■
3.6 FSI 4motion (BWS)	discØ 310, PR 2EA	Gasolina	4WD	3597	220	300	01.11-12.14	■
1.4 TSI EcoFuel (CDGA)	discØ 282, PR 1KW	Gasol./Gas (CNG)	FWD	1390	110	150	08.10-12.14	■
1.4 TSI MultiFuel (CKMA)	discØ 282, PR 1KW	Gasol./Etanol	FWD	1390	118	160	11.10-12.14	■
1.6 TDI (CAYC)	discØ 282, PR 1KW	Diesel	FWD	1598	77	105	08.10-12.14	■
2.0 TDI (CFFA)	discØ 282, PR 1KW	Diesel	FWD	1968	100	136	08.10-12.14	■
2.0 TDI (CFFB)	discØ 282, PR 1KW	Diesel	FWD	1968	103	140	08.10-12.14	■
2.0 TDI 4motion (CFFB)	discØ 282, PR 1KW	Diesel	4WD	1968	103	140	08.10-12.14	■
2.0 TDI (CFGB)	discØ 282, PR 1KW	Diesel	FWD	1968	125	170	08.10-12.14	■
2.0 TDI (CLLA)	discØ 282, PR 1KW	Diesel	FWD	1968	125	170	08.10-12.14	■
2.0 TDI 4motion (CFGB)	discØ 282, PR 1KW	Diesel	4WD	1968	125	170	08.10-01.13	■
2.0 TDI (CFGC)	PR 1KW	Diesel	FWD	1968	130	177	12.12-12.14	■
2.0 TDI 4motion (CFGC)	PR 1KW	Diesel	4WD	1968	130	177	01.13-12.14	■
PASSAT B8 (3G2, CB2) 08.14-				Saloon (Large family car-D Segment)				
1.4 TSI (CZCA)	PR 2EA, discØ 310, -ch F100000	Gasolina	FWD	1395	92	125	11.14-11.18	■
1.4 TSI (CZDA)	PR 2EA, discØ 310, -ch F100000	Gasolina	FWD	1395	110	150	11.14-03.24	■
1.4 TSI (CZEA)	PR 2EA, discØ 310, -ch F100000	Gasolina	FWD	1395	110	150	11.14-03.24	■
1.4 TSI 4motion (CZEA)	PR 2EA, discØ 310, -ch F100000	Gasolina	4WD	1395	110	150	02.15-11.18	■
1.8 TSI (CJSA)	PR 2EA, discØ 310, -ch F100000	Gasolina	FWD	1798	132	180	02.15-07.19	■
1.8 TSI (CJSC)	PR 2EA, discØ 310, -ch F100000	Gasolina	FWD	1798	132	180	02.15-07.19	■
2.0 TSI (CHHB)	PR 2EA, discØ 310, -ch F100000	Gasolina	FWD	1984	162	220	02.15-03.24	■
2.0 TSI (CXDA)	PR 2EA, discØ 310, -ch F100000	Gasolina	FWD	1984	162	220	02.15-03.24	■
2.0 TSI 4motion (CJXA)	PR 2EA, discØ 310, -ch F100000	Gasolina	4WD	1984	206	280	05.15-03.24	■
1.6 TDI (DCXA)	PR 2EA, discØ 310, -ch F100000	Diesel	FWD	1598	88	120	08.14-11.20	■
1.6 TDI (DCZA)	PR 2EA, discØ 310, -ch F100000	Diesel	FWD	1598	88	120	08.14-11.20	■
2.0 TDI (CRLB)	PR 2EA, discØ 310, -ch F100000	Diesel	FWD	1968	110	150	11.14-03.24	■
2.0 TDI (DBGA)	PR 2EA, discØ 310, -ch F100000	Diesel	FWD	1968	110	150	11.14-03.24	■
2.0 TDI (DFGA)	PR 2EA, discØ 310, -ch F100000	Diesel	FWD	1968	110	150	11.14-03.24	■
2.0 TDI (DSRA)	PR 2EA, discØ 310, -ch F100000	Diesel	FWD	1968	110	150	11.14-03.24	■
2.0 TDI (DSRB)	PR 2EA, discØ 310, -ch F100000	Diesel	FWD	1968	110	150	11.14-03.24	■
2.0 TDI 4motion (CRLB)	PR 2EA, discØ 310, -ch F100000	Diesel	4WD	1968	110	150	08.14-03.24	■
2.0 TDI 4motion (DFEA)	PR 2EA, discØ 310, -ch F100000	Diesel	4WD	1968	110	150	08.14-03.24	■

LISTA DE APLICACIONES - BUYERS GUIDE

2.0 TDI 4motion (DFGA)	PR 2EA, discØ 310, -ch F100000	Diesel	4WD	1968	110	150	08.14-03.24	■	
2.0 TDI (CUPA)	PR 2EA, discØ 310, -ch F100000	Diesel	FWD	1968	135	184	07.15-05.16	■	
2.0 TDI (DDAA)	PR 2EA, discØ 310, -ch F100000	Diesel	FWD	1968	140	190	11.14-03.24	■	
2.0 TDI (DFCA)	PR 2EA, discØ 310, -ch F100000	Diesel	FWD	1968	140	190	11.14-03.24	■	
2.0 TDI (DFHA)	PR 2EA, discØ 310, -ch F100000	Diesel	FWD	1968	140	190	11.14-03.24	■	
2.0 TDI 4motion (DDAA)	PR 2EA, discØ 310, -ch F100000	Diesel	4WD	1968	140	190	11.14-03.24	■	
2.0 TDI 4motion (DFCA)	PR 2EA, discØ 310, -ch F100000	Diesel	4WD	1968	140	190	11.14-03.24	■	
2.0 TDI 4motion (DFHA)	PR 2EA, discØ 310, -ch F100000	Diesel	4WD	1968	140	190	11.14-03.24	■	
2.0 TDI 4motion (CUAA)	PR 2EA, discØ 310, -ch F100000	Diesel	4WD	1968	176	240	08.14-11.20	■	
PASSAT B8 ALLTRACK Variant (3G5, CB5) 05.15-					Estate (Large family car-D Segment)				
2.0 TSI 4motion (CHHB)	PR 2EA, discØ 310, -ch F100000	Gasolina	4WD	1984	162	220	07.15-03.24	■	
2.0 TDI 4motion (CRLB)	PR 2EA, discØ 310, -ch F100000	Diesel	4WD	1968	110	150	05.15-11.17	■	
2.0 TDI 4motion (DFEA)	PR 2EA, discØ 310, -ch F100000	Diesel	4WD	1968	110	150	05.15-11.17	■	
2.0 TDI 4motion (CUPA)	PR 2EA, discØ 310, -ch F100000	Diesel	4WD	1968	135	184	07.15-05.16	■	
2.0 TDI 4motion (DDAA)	PR 2EA, discØ 310, -ch F100000	Diesel	4WD	1968	140	190	05.15-03.24	■	
2.0 TDI 4motion (DFCA)	PR 2EA, discØ 310, -ch F100000	Diesel	4WD	1968	140	190	05.15-03.24	■	
2.0 TDI 4motion (DFHA)	PR 2EA, discØ 310, -ch F100000	Diesel	4WD	1968	140	190	05.15-03.24	■	
2.0 TDI 4motion (CUAA)	PR 2EA, discØ 310, -ch F100000	Diesel	4WD	1968	176	240	05.15-11.20	■	
PASSAT B8 Variant (3G5, CB5) 08.14-					Estate (Large family car-D Segment)				
1.4 TSI (CZCA)	PR 2EA, discØ 310, -ch F100000	Gasolina	FWD	1395	92	125	11.14-11.18	■	
1.4 TSI (CZDA)	PR 2EA, discØ 310, -ch F100000	Gasolina	FWD	1395	110	150	11.14-03.24	■	
1.4 TSI (CZEA)	PR 2EA, discØ 310, -ch F100000	Gasolina	FWD	1395	110	150	11.14-03.24	■	
1.4 TSI 4motion (CZEA)	PR 2EA, discØ 310, -ch F100000	Gasolina	4WD	1395	110	150	02.15-11.18	■	
1.8 TSI (CJSA)	PR 2EA, discØ 310, -ch F100000	Gasolina	FWD	1798	132	180	02.15-07.19	■	
1.8 TSI (CJSC)	PR 2EA, discØ 310, -ch F100000	Gasolina	FWD	1798	132	180	02.15-07.19	■	
2.0 TSI (CHHB)	PR 2EA, discØ 310, -ch F100000	Gasolina	FWD	1984	162	220	08.14-03.24	■	
2.0 TSI (CXDA)	PR 2EA, discØ 310, -ch F100000	Gasolina	FWD	1984	162	220	08.14-03.24	■	
2.0 TSI 4motion (CJXA)	PR 2EA, discØ 310, -ch F100000	Gasolina	4WD	1984	206	280	05.15-03.24	■	
1.6 TDI (DCXA)	PR 2EA, discØ 310, -ch F100000	Diesel	FWD	1598	88	120	08.14-11.20	■	
1.6 TDI (DCZA)	PR 2EA, discØ 310, -ch F100000	Diesel	FWD	1598	88	120	08.14-11.20	■	
2.0 TDI (CRLB)	PR 2EA, discØ 310, -ch F100000	Diesel	FWD	1968	110	150	11.14-03.24	■	
2.0 TDI (DBGA)	PR 2EA, discØ 310, -ch F100000	Diesel	FWD	1968	110	150	11.14-03.24	■	
2.0 TDI (DFGA)	PR 2EA, discØ 310, -ch F100000	Diesel	FWD	1968	110	150	11.14-03.24	■	
2.0 TDI (DSRA)	PR 2EA, discØ 310, -ch F100000	Diesel	FWD	1968	110	150	11.14-03.24	■	
2.0 TDI (DSRB)	PR 2EA, discØ 310, -ch F100000	Diesel	FWD	1968	110	150	11.14-03.24	■	

LISTA DE APLICACIONES - BUYERS GUIDE

2.0 TDI 4motion (CRLB)	PR 2EA, discØ 310, -ch F100000	Diesel	4WD	1968	110	150	08.14-03.24	■	
2.0 TDI 4motion (DFEA)	PR 2EA, discØ 310, -ch F100000	Diesel	4WD	1968	110	150	08.14-03.24	■	
2.0 TDI 4motion (DFGA)	PR 2EA, discØ 310, -ch F100000	Diesel	4WD	1968	110	150	08.14-03.24	■	
2.0 TDI (CUPA)	PR 2EA, discØ 310, -ch F100000	Diesel	FWD	1968	135	184	07.15-05.16	■	
2.0 TDI (DDAA)	PR 2EA, discØ 310, -ch F100000	Diesel	FWD	1968	140	190	11.14-03.24	■	
2.0 TDI (DFCA)	PR 2EA, discØ 310, -ch F100000	Diesel	FWD	1968	140	190	11.14-03.24	■	
2.0 TDI (DFHA)	PR 2EA, discØ 310, -ch F100000	Diesel	FWD	1968	140	190	11.14-03.24	■	
2.0 TDI 4motion (DDAA)	PR 2EA, discØ 310, -ch F100000	Diesel	4WD	1968	140	190	11.14-03.24	■	
2.0 TDI 4motion (DFCA)	PR 2EA, discØ 310, -ch F100000	Diesel	4WD	1968	140	190	11.14-03.24	■	
2.0 TDI 4motion (DFHA)	PR 2EA, discØ 310, -ch F100000	Diesel	4WD	1968	140	190	11.14-03.24	■	
2.0 TDI 4motion (CUAA)	PR 2EA, discØ 310, -ch F100000	Diesel	4WD	1968	176	240	08.14-11.20	■	
SHARAN II (7N1, 7N2) 05.10-							Box Body/MPV (Large MPV-M1 Segment)		
1.4 TSI		Gasolina	FWD	1390	110	150	05.10-11.15	■	
2.0 TSI		Gasolina	FWD	1984	147	200	12.10-11.15	■	
2.0 TDI		Diesel	FWD	1968	85	116	05.11-11.15	■	
2.0 TDI		Diesel	FWD	1968	100	136	05.10-05.11	■	
2.0 TDI		Diesel	FWD	1968	103	140	05.10-11.15	■	
2.0 TDI		Diesel	FWD	1968	125	170	08.10-01.13	■	
SHARAN II (7N1, 7N2) 05.10-							MPV (Large MPV-M1 Segment)		
1.4 TSI (CAVA)		Gasolina	FWD	1390	110	150	05.10-11.15	■	
1.4 TSI (CNWB)		Gasolina	FWD	1390	110	150	05.10-11.15	■	
1.4 TSI (CTHA)		Gasolina	FWD	1390	110	150	05.10-11.15	■	
1.4 TSI (CZDA)	discØ 282	Gasolina	FWD	1395	110	150	05.15-11.22	■	
1.4 TSI (DJKA)	discØ 282	Gasolina	FWD	1395	110	150	05.15-11.22	■	
2.0 TFSI (CCZA)		Gasolina	FWD	1984	147	200	12.10-11.15	■	
2.0 TSI (DEDA)	discØ 282	Gasolina	FWD	1984	162	220	05.15-12.20	■	
2.0 TDI (CFFE)		Diesel	FWD	1968	85	115	05.11-07.19	■	
2.0 TDI (CUVA)		Diesel	FWD	1968	85	115	05.11-07.19	■	
2.0 TDI (DFLD)		Diesel	FWD	1968	85	115	05.11-07.19	■	
2.0 TDI (DLTC)		Diesel	FWD	1968	85	115	05.11-07.19	■	
2.0 TDI		Diesel	RWD	1968	100	136	05.11-05.12	■	
2.0 TDI (CFFA)		Diesel	FWD	1968	100	136	05.10-11.15	■	
2.0 TDI (CFFB)		Diesel	FWD	1968	103	140	05.10-11.15	■	
2.0 TDI 4motion (CFFB)		Diesel	4WD	1968	103	140	05.11-11.15	■	
2.0 TDI (CUVC)	discØ 282	Diesel	FWD	1968	110	150	05.15-10.20	■	
2.0 TDI (DFLA)	discØ 282	Diesel	FWD	1968	110	150	05.15-10.20	■	
2.0 TDI (DLTA)	discØ 282	Diesel	FWD	1968	110	150	05.15-10.20	■	
2.0 TDI 4motion (CUVC)	discØ 282	Diesel	4WD	1968	110	150	05.15-07.19	■	
2.0 TDI 4motion (DFLA)	discØ 282	Diesel	4WD	1968	110	150	05.15-07.19	■	
2.0 TDI 4motion (DLTA)	discØ 282	Diesel	4WD	1968	110	150	05.15-07.19	■	
2.0 TDI (CFGB)		Diesel	FWD	1968	125	170	05.10-01.13	■	
2.0 TDI (CFGC)		Diesel	FWD	1968	130	177	01.13-06.22	■	
2.0 TDI (DLUB)		Diesel	FWD	1968	130	177	01.13-06.22	■	
2.0 TDI (CUWA)		Diesel	FWD	1968	135	184	05.15-07.18	■	
2.0 TDI (DFMA)		Diesel	FWD	1968	135	184	05.15-07.18	■	

LISTA DE APLICACIONES - BUYERS GUIDE

2.0 TDI 4motion (DFMA)		Diesel	4WD	1968	135	184	05.16-07.18	■
TIGUAN (5N_) 09.07-07.18				SUV Van (Compact SUV-J Segment)				
1.4 TSI (5N1)	discØ 282, PR 1KU	Gasolina	FWD	1390	90	122	08.10-05.11	■
1.4 TSI (5N1)	discØ 282, PR 1KU	Gasolina	FWD	1390	110	150	05.08-05.10	■
1.4 TSI (5N2)	discØ 282, PR 1KU	Gasolina	FWD	1390	118	160	09.12-07.18	■
1.4 TSI 4motion (5N2)	discØ 282, PR 1KU	Gasolina	4WD	1390	118	160	09.12-07.18	■
2.0 TSI 4motion (5N1)	discØ 282, PR 1KU	Gasolina	4WD	1984	125	170	11.09-05.11	■
2.0 TSI 4motion (5N1)	discØ 282, PR 1KU	Gasolina	4WD	1984	147	200	11.09-05.11	■
2.0 TSI 4motion (5N2)	discØ 282, PR 1KU	Gasolina	4WD	1984	155	211	05.11-07.18	■
2.0 TDI (5N1)	discØ 282, PR 1KU	Diesel	FWD	1968	81	110	05.10-07.11	■
2.0 TDI (5N1, 5N2)	discØ 282, PR 1KU	Diesel	FWD	1968	103	140	11.09-07.18	■
2.0 TDI 4motion (5N1, 5N2)	discØ 282, PR 1KU	Diesel	4WD	1968	103	140	11.07-07.18	■
2.0 TDI 4motion (5N1, 5N2)	discØ 282, PR 1KU	Diesel	4WD	1968	125	170	05.10-05.13	■
2.0 TDI 4motion (5N2)	discØ 282, PR 1KU	Diesel	4WD	1968	130	177	11.12-07.18	■
TIGUAN (5N_) 09.07-				SUV (Compact SUV-J Segment)				
1.4 TSI (CAXA)	discØ 282, PR 1KU	Gasolina	FWD	1390	90	122	08.10-07.18	■
1.4 TSI (CAVA)	discØ 282, PR 1KU	Gasolina	FWD	1390	110	150	05.08-07.18	■
1.4 TSI (CTHA)	discØ 282, PR 1KU	Gasolina	FWD	1390	110	150	05.08-07.18	■
1.4 TSI 4motion (BWK)	discØ 282, PR 1KU	Gasolina	4WD	1390	110	150	09.07-07.18	■
1.4 TSI 4motion (CAVA)	discØ 282, PR 1KU	Gasolina	4WD	1390	110	150	09.07-07.18	■
1.4 TSI 4motion (CTHA)	discØ 282, PR 1KU	Gasolina	4WD	1390	110	150	09.07-07.18	■
1.4 TSI (CAVD)	discØ 282, PR 1KU	Gasolina	FWD	1390	118	160	05.11-07.18	■
1.4 TSI (CTHD)	discØ 282, PR 1KU	Gasolina	FWD	1390	118	160	05.11-07.18	■
1.4 TSI 4motion (CAVD)	discØ 282, PR 1KU	Gasolina	4WD	1390	118	160	05.11-07.18	■
1.4 TSI 4motion (CTHD)	discØ 282, PR 1KU	Gasolina	4WD	1390	118	160	05.11-07.18	■
1.4 TSI (CZDB)	discØ 282	Gasolina	FWD	1395	92	125	05.15-07.18	■
1.4 TSI (CZDA)	discØ 282	Gasolina	FWD	1395	110	150	05.15-07.18	■
2.0 TFSI	discØ 282	Gasolina	FWD	1984	125	170	05.08-	■
2.0 TFSI 4motion (CAWA)	discØ 282, PR 1KU	Gasolina	4WD	1984	125	170	09.07-07.18	■
2.0 TFSI 4motion (CCTB)	discØ 282, PR 1KU	Gasolina	4WD	1984	125	170	09.07-07.18	■
2.0 TFSI 4motion (CCZC)	discØ 282, PR 1KU	Gasolina	4WD	1984	125	170	09.07-07.18	■
2.0 TSI 4motion (CCZD)	discØ 282, PR 1KU	Gasolina	4WD	1984	132	180	05.11-07.18	■
2.0 TFSI (CAWB)	PR 1KU, discØ 282	Gasolina	FWD	1984	147	200	11.07-07.18	■
2.0 TFSI (CCTA)	PR 1KU, discØ 282	Gasolina	FWD	1984	147	200	11.07-07.18	■
2.0 TFSI (CCZA)	PR 1KU, discØ 282	Gasolina	FWD	1984	147	200	11.07-07.18	■
2.0 TFSI 4motion (CAWB)	discØ 282, PR 1KU	Gasolina	4WD	1984	147	200	09.07-07.18	■
2.0 TFSI 4motion (CCTA)	discØ 282, PR 1KU	Gasolina	4WD	1984	147	200	09.07-07.18	■
2.0 TFSI 4motion (CCZA)	discØ 282, PR 1KU	Gasolina	4WD	1984	147	200	09.07-07.18	■
2.0 TSI 4motion (CCZB)	discØ 282, PR 1KU	Gasolina	4WD	1984	155	211	05.11-07.18	■
2.0 TDI (CFFD)	discØ 282, PR 1KU	Diesel	FWD	1968	81	110	05.10-07.18	■
2.0 TDI (CUVE)	discØ 282, PR 1KU	Diesel	FWD	1968	81	110	05.10-07.18	■
2.0 TDI 4motion (CBAA)	01/08-, discØ 282, PR 1KU	Diesel	4WD	1968	100	136	11.07-07.18	■
2.0 TDI 4motion (CFFA)	01/08-, discØ 282, PR 1KU	Diesel	4WD	1968	100	136	11.07-07.18	■
2.0 TDI (CBAB)	discØ 282, PR 1KU	Diesel	FWD	1968	103	140	03.08-07.18	■
2.0 TDI (CFFB)	discØ 282, PR 1KU	Diesel	FWD	1968	103	140	03.08-07.18	■
2.0 TDI 4motion (CBAB)	discØ 282, PR 1KU	Diesel	4WD	1968	103	140	09.07-07.18	■
2.0 TDI 4motion (CFFB)	discØ 282, PR 1KU	Diesel	4WD	1968	103	140	09.07-07.18	■
2.0 TDI 4motion (CLJA)	discØ 282, PR 1KU	Diesel	4WD	1968	103	140	09.07-07.18	■
2.0 TDI (CUVC)	discØ 282	Diesel	FWD	1968	110	150	05.15-07.18	■
2.0 TDI 4motion (CUVC)	discØ 282	Diesel	4WD	1968	110	150	05.15-07.18	■
2.0 TDI 4motion (CBBA)	discØ 286, PR 1KU	Diesel	4WD	1968	120	163	02.08-08.09	■

LISTA DE APLICACIONES - BUYERS GUIDE

2.0 TDI 4motion (CBBB)	discØ 282, PR 1KU	Diesel	4WD	1968	125	170	09.07-07.18	■
2.0 TDI 4motion (CFGB)	discØ 282, PR 1KU	Diesel	4WD	1968	125	170	09.07-07.18	■
2.0 TDI 4motion (CFGC)	discØ 282	Diesel	4WD	1968	130	177	11.12-07.18	■
2.0 TDI 4motion (CUWA)	discØ 282	Diesel	4WD	1968	135	184	05.15-07.18	■
TIGUAN II (AD1) 07.15-								SUV Van ()
TDI 4motion	Eq.V_ 5N2, discØ 282	Diesel	4WD	1968	140	190	01.16-07.20	■
TIGUAN II (AD1, AX1) 01.16-								SUV (Compact SUV-J Segment)
1.4 TSI (CZCA)	Eq.V_ 5N2, discØ 282	Gasolina	FWD	1395	92	125	01.16-03.22	■
1.4 TSI (CZDA)	Eq.V_ 5N2, discØ 282	Gasolina	FWD	1395	110	150	05.16-04.24	■
1.4 TSI (CZEA)	Eq.V_ 5N2, discØ 282	Gasolina	FWD	1395	110	150	05.16-04.24	■
1.4 TSI (DJVA)	Eq.V_ 5N2, discØ 282	Gasolina	FWD	1395	110	150	05.16-04.24	■
1.4 TSI 4motion (CZDA)	Eq.V_ 5N2, discØ 282	Gasolina	4WD	1395	110	150	05.16-07.18	■
1.4 TSI 4motion (CZEA)	Eq.V_ 5N2, discØ 282	Gasolina	4WD	1395	110	150	05.16-07.18	■
2.0 TSI 4motion (CZPA)	Eq.V_ 5N2, discØ 282	Gasolina	4WD	1984	132	180	01.16-04.24	■
2.0 TSI 4motion (CHHB)	Eq.V_ 5N2, discØ 282	Gasolina	4WD	1984	162	220	06.16-04.24	■
1.6 TDI (DGDB)	Eq.V_ 5N2, discØ 282	Diesel	FWD	1598	85	115	05.16-06.20	■
2.0 TDI (CYKC)	Eq.V_ 5N2, discØ 282	Diesel	FWD	1968	81	110	08.16-07.20	■
2.0 TDI (DFGC)	Eq.V_ 5N2, discØ 282	Diesel	FWD	1968	85	115	05.16-07.19	■
2.0 TDI 4motion	Eq.V_ 5N2, discØ 282	Diesel	4WD	1968	105	143	06.16-07.20	■
2.0 TDI (DFGA)	Eq.V_ 5N2, discØ 282	Diesel	FWD	1968	110	150	01.16-04.24	■
2.0 TDI (DTSA)	Eq.V_ 5N2, discØ 282	Diesel	FWD	1968	110	150	01.16-04.24	■
2.0 TDI (DTSB)	Eq.V_ 5N2, discØ 282	Diesel	FWD	1968	110	150	01.16-04.24	■
2.0 TDI 4motion (DBGC)	Eq.V_ 5N2, discØ 282	Diesel	4WD	1968	110	150	01.16-04.24	■
2.0 TDI 4motion (DFGA)	Eq.V_ 5N2, discØ 282	Diesel	4WD	1968	110	150	01.16-04.24	■
2.0 TDI 4motion (DTSA)	Eq.V_ 5N2, discØ 282	Diesel	4WD	1968	110	150	01.16-04.24	■
2.0 TDI 4motion (DTSB)	Eq.V_ 5N2, discØ 282	Diesel	4WD	1968	110	150	01.16-04.24	■
2.0 TDI 4motion (CRGB)	Eq.V_ 5N2, discØ 282	Diesel	4WD	1968	130	177	08.16-07.20	■
2.0 TDI 4motion (DFHA)	Eq.V_ 5N2, discØ 282	Diesel	4WD	1968	140	190	04.16-07.20	■
2.0 TDI 4motion (CUAA)	Eq.V_ 5N2, discØ 282	Diesel	4WD	1968	176	240	05.16-07.20	■
VW (SVW)								
TIGUAN (591, 592) 03.10-								Closed Off-Road Vehicle (Compact SUV-J Segment)
1.4 TSI	discØ 282	Gasolina	FWD	1390	96	131	07.12-	■
TIGUAN (591, 592) 03.10-								SUV (Compact SUV-J Segment)
300 TSI	discØ 282, PR 1KU	Gasolina	FWD	1798	118	160	03.10-12.19	■
300 TSI 4motion	discØ 282, PR 1KU	Gasolina	4WD	1798	118	160	03.10-12.17	■
330 TSI 4motion	discØ 282, PR 1KU	Gasolina	4WD	1984	147	200	03.10-12.17	■