

# LISTA DE APLICACIONES - BUYERS GUIDE

## 181862-202

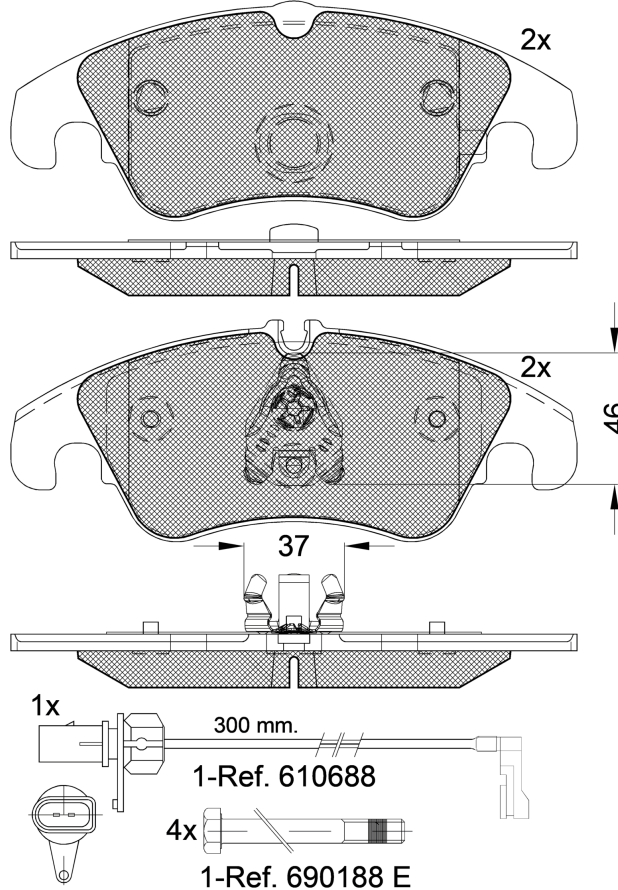


8 424073 14 13 16

Qty: 300

Weight: 2.710

O.E.M.	MAKE
4G0 698 151	AUDI
4G0 698 151 AA	AUDI
4G0 698 151 D	AUDI
4G0 698 151 L	AUDI
8K0 698 151 C	AUDI
8K0 698 151 L	AUDI
8R0 698 151 A	AUDI
8R0 698 151 S	AUDI



## 181862-202

E 9 90R-02A0111/4512



Trw

187.9x73x18.4

187.9x73.6x18.4

VWA	FMSI
22252	D1322-8434
24408	
24409	
24264	
24265	
MAKE	
AUDI	
AUDI (FAW)	



Trac.	CC	Kw	CV
-------	----	----	----



Front / Rear

### AUDI

							Saloon (Compact executive car-D Segment)	
<b>A4 IV B8 (8K2) 08.07-06.17</b>								
1.8 TFSI (CABA)		Gasolina	FWD	1798	88	120	01.08-12.15	■
1.8 TFSI (CDHA)		Gasolina	FWD	1798	88	120	01.08-12.15	■
1.8 TFSI (CJEB)		Gasolina	FWD	1798	125	170	11.11-12.15	■
1.8 TFSI quattro (CJEB)		Gasolina	4WD	1798	125	170	11.11-12.15	■
2.0 TFSI (CAEA)		Gasolina	FWD	1984	132	180	06.08-12.15	■
2.0 TFSI (CDNB)		Gasolina	FWD	1984	132	180	06.08-12.15	■
2.0 TFSI (CFKA)		Gasolina	FWD	1984	132	180	06.08-12.15	■
2.0 TFSI quattro (CFKA)		Gasolina	4WD	1984	132	180	11.09-03.12	■
2.0 TFSI (CAEB)		Gasolina	FWD	1984	155	211	06.08-05.13	■
2.0 TFSI (CDNC)		Gasolina	FWD	1984	155	211	06.08-05.13	■
2.0 TFSI quattro (CAEB)		Gasolina	4WD	1984	155	211	06.08-12.15	■
2.0 TFSI quattro (CDNC)		Gasolina	4WD	1984	155	211	06.08-12.15	■
2.0 TFSI quattro (CPMA)		Gasolina	4WD	1984	155	211	06.08-12.15	■
2.0 TFSI (CAED)		Gasolina	FWD	1984	162	220	05.13-12.15	■
2.0 TFSI quattro (CAED)		Gasolina	4WD	1984	162	220	05.13-12.15	■
2.0 TFSI quattro (CPMB)		Gasolina	4WD	1984	162	220	05.13-12.15	■
2.0 TFSI (CNCD)		Gasolina	FWD	1984	165	224	05.13-12.15	■
2.0 TFSI quattro (CNCD)		Gasolina	4WD	1984	165	224	05.13-12.15	■
3.0 TFSI quattro (CMUA)		Gasolina	4WD	2995	200	272	02.12-12.15	■
3.0 TFSI quattro (CRED)		Gasolina	4WD	2995	200	272	02.12-12.15	■
2.0 TFSI flexible fuel (CFKA)		Gasol./Et anol	FWD	1984	132	180	11.09-12.15	■
2.0 TFSI flexible fuel quattro (CFKA)		Gasol./Et anol	4WD	1984	132	180	11.09-12.15	■

# LISTA DE APLICACIONES - BUYERS GUIDE

2.0 TDI (CAGC)		Diesel	FWD	1968	88	120	06.08-12.15	■
2.0 TDI (CJCC)		Diesel	FWD	1968	88	120	06.08-12.15	■
2.0 TDI (CAGB)		Diesel	FWD	1968	100	136	11.07-12.15	■
2.0 TDI (CJCB)		Diesel	FWD	1968	100	136	11.07-12.15	■
2.0 TDI (CSUB)		Diesel	FWD	1968	100	136	11.07-12.15	■
2.0 TDI (CAGA)		Diesel	FWD	1968	105	143	11.07-12.15	■
2.0 TDI (CJCA)		Diesel	FWD	1968	105	143	11.07-12.15	■
2.0 TDI (CMEA)		Diesel	FWD	1968	105	143	11.07-12.15	■
2.0 TDI (CMFA)		Diesel	FWD	1968	105	143	11.07-12.15	■
2.0 TDI quattro (CAGA)		Diesel	4WD	1968	105	143	11.08-12.15	■
2.0 TDI quattro (CJCA)		Diesel	4WD	1968	105	143	11.08-12.15	■
2.0 TDI (CJCD)		Diesel	FWD	1968	110	150	05.13-12.15	■
2.0 TDI (CMFB)		Diesel	FWD	1968	110	150	05.13-12.15	■
2.0 TDI (CSUA)		Diesel	FWD	1968	110	150	05.13-12.15	■
2.0 TDI quattro (CJCD)		Diesel	4WD	1968	110	150	05.13-12.15	■
2.0 TDI quattro (CSUA)		Diesel	4WD	1968	110	150	05.13-12.15	■
2.0 TDI (CAHB)		Diesel	FWD	1968	120	163	08.08-12.15	■
2.0 TDI (CGLD)		Diesel	FWD	1968	120	163	08.08-12.15	■
2.0 TDI (CNHC)		Diesel	FWD	1968	120	163	08.08-12.15	■
2.0 TDI (CGLC)		Diesel	FWD	1968	130	177	11.11-12.15	■
2.0 TDI (CMGB)		Diesel	FWD	1968	130	177	11.11-12.15	■
2.0 TDI quattro (CGLC)		Diesel	4WD	1968	130	177	11.11-12.15	■
2.0 TDI (CNHA)		Diesel	FWD	1968	140	190	09.13-12.15	■
2.0 TDI quattro (CNHA)		Diesel	4WD	1968	140	190	09.13-12.15	■
3.0 TDI (CLAB)		Diesel	FWD	2967	150	204	11.11-12.15	■
3.0 TDI quattro (CDUC)		Diesel	4WD	2967	180	245	11.11-12.15	■
3.0 TDI quattro (CKVB)		Diesel	4WD	2967	180	245	11.11-12.15	■
3.0 TDI quattro (CKVC)		Diesel	4WD	2967	180	245	11.11-12.15	■
<b>A4 IV B8 Avant (8K5) 11.07-06.17</b>							<b>Estate (Compact executive car-D Segment)</b>	
1.8 TFSI (CDHA)		Gasolina	FWD	1798	88	120	04.08-12.15	■
1.8 TFSI (CJEB)		Gasolina	FWD	1798	125	170	11.11-12.15	■
1.8 TFSI quattro (CJEB)		Gasolina	4WD	1798	125	170	11.11-12.15	■
2.0 TFSI (CDNB)		Gasolina	FWD	1984	132	180	06.08-12.15	■
2.0 TFSI (CFKA)		Gasolina	FWD	1984	132	180	06.08-12.15	■
2.0 TFSI (CAEB)		Gasolina	FWD	1984	155	211	06.08-05.13	■
2.0 TFSI (CDNC)		Gasolina	FWD	1984	155	211	06.08-05.13	■
2.0 TFSI quattro (CAEB)		Gasolina	4WD	1984	155	211	06.08-12.15	■
2.0 TFSI quattro (CDNC)		Gasolina	4WD	1984	155	211	06.08-12.15	■
2.0 TFSI (CNCD)		Gasolina	FWD	1984	165	224	05.13-12.15	■
2.0 TFSI quattro (CNCD)		Gasolina	4WD	1984	165	224	05.13-12.15	■
3.0 TFSI quattro (CMUA)		Gasolina	4WD	2995	200	272	02.12-12.15	■
3.0 TFSI quattro (CRED)		Gasolina	4WD	2995	200	272	02.12-12.15	■
2.0 TFSI flexible fuel (CFKA)		Gasol./Etanol	FWD	1984	132	180	11.09-12.15	■
2.0 TFSI flexible fuel quattro (CFKA)		Gasol./Etanol	4WD	1984	132	180	11.09-12.15	■
2.0 TDI (CAGC)		Diesel	FWD	1968	88	120	06.08-12.15	■
2.0 TDI (CJCC)		Diesel	FWD	1968	88	120	06.08-12.15	■
2.0 TDI (CAGB)		Diesel	FWD	1968	100	136	04.08-12.15	■
2.0 TDI (CJCB)		Diesel	FWD	1968	100	136	04.08-12.15	■
2.0 TDI (CSUB)		Diesel	FWD	1968	100	136	04.08-12.15	■
2.0 TDI (CAGA)		Diesel	FWD	1968	105	143	04.08-12.15	■

# LISTA DE APLICACIONES - BUYERS GUIDE

2.0 TDI (CJCA)		Diesel	FWD	1968	105	143	04.08-12.15	■
2.0 TDI (CMEA)		Diesel	FWD	1968	105	143	04.08-12.15	■
2.0 TDI (CMFA)		Diesel	FWD	1968	105	143	04.08-12.15	■
2.0 TDI quattro (CAGA)		Diesel	4WD	1968	105	143	04.08-12.15	■
2.0 TDI quattro (CJCA)		Diesel	4WD	1968	105	143	04.08-12.15	■
2.0 TDI (CJCD)		Diesel	FWD	1968	110	150	05.13-12.15	■
2.0 TDI (CMFB)		Diesel	FWD	1968	110	150	05.13-12.15	■
2.0 TDI (CSUA)		Diesel	FWD	1968	110	150	05.13-12.15	■
2.0 TDI quattro (CJCD)		Diesel	4WD	1968	110	150	05.13-12.15	■
2.0 TDI quattro (CSUA)		Diesel	4WD	1968	110	150	05.13-12.15	■
2.0 TDI (CAHB)		Diesel	FWD	1968	120	163	08.08-12.15	■
2.0 TDI (CGLD)		Diesel	FWD	1968	120	163	08.08-12.15	■
2.0 TDI (CNHC)		Diesel	FWD	1968	120	163	08.08-12.15	■
2.0 TDI (CGLC)		Diesel	FWD	1968	130	177	11.11-12.15	■
2.0 TDI quattro (CGLC)		Diesel	4WD	1968	130	177	11.11-12.15	■
2.0 TDI (CNHA)		Diesel	FWD	1968	140	190	09.13-12.15	■
2.0 TDI quattro (CNHA)		Diesel	4WD	1968	140	190	09.13-12.15	■
3.0 TDI (CLAB)		Diesel	FWD	2967	150	204	11.11-12.15	■
3.0 TDI quattro (CDUC)		Diesel	4WD	2967	180	245	11.11-12.15	■
3.0 TDI quattro (CKVB)		Diesel	4WD	2967	180	245	11.11-12.15	■
3.0 TDI quattro (CKVC)		Diesel	4WD	2967	180	245	11.11-12.15	■
<b>A5 (8F7) 02.09-10.17</b>							<b>Convertible (Compact executive car-D Segment)</b>	
1.8 TFSI (CDHB)		Gasolina	FWD	1798	118	160	09.09-03.12	■
1.8 TFSI (CJEB)		Gasolina	FWD	1798	125	170	09.11-03.16	■
1.8 TFSI (CJEE)		Gasolina	FWD	1798	130	177	05.15-01.17	■
2.0 TFSI (CAEA)		Gasolina	FWD	1984	132	180	03.09-03.12	■
2.0 TFSI (CDNB)		Gasolina	FWD	1984	132	180	03.09-03.12	■
2.0 TFSI (CAEB)		Gasolina	FWD	1984	155	211	03.09-06.14	■
2.0 TFSI (CDNC)		Gasolina	FWD	1984	155	211	03.09-06.14	■
2.0 TFSI quattro (CAEB)		Gasolina	4WD	1984	155	211	03.09-01.17	■
2.0 TFSI quattro (CDNC)		Gasolina	4WD	1984	155	211	03.09-01.17	■
2.0 TFSI quattro (CPMA)		Gasolina	4WD	1984	155	211	03.09-01.17	■
2.0 TFSI (CAED)		Gasolina	FWD	1984	162	220	05.13-12.14	■
2.0 TFSI (CNCD)		Gasolina	FWD	1984	165	224	05.13-05.16	■
2.0 TFSI quattro (CNCD)		Gasolina	4WD	1984	165	224	05.13-05.16	■
2.0 TFSI (CNCE)		Gasolina	FWD	1984	169	230	08.15-01.17	■
2.0 TFSI quattro (CNCE)		Gasolina	4WD	1984	169	230	08.15-01.17	■
3.0 TFSI quattro (CMUA)		Gasolina	4WD	2995	200	272	11.11-01.17	■
3.0 TFSI quattro (CRED)		Gasolina	4WD	2995	200	272	11.11-01.17	■
3.2 FSI (CALA)		Gasolina	FWD	3197	195	265	03.09-03.12	■
3.2 FSI quattro (CALA)		Gasolina	4WD	3197	195	265	03.09-03.12	■
2.0 TDI (CJCA)		Diesel	FWD	1968	105	143	10.11-05.15	■
2.0 TDI (CJCD)		Diesel	FWD	1968	110	150	05.13-01.17	■
2.0 TDI (CSUA)		Diesel	FWD	1968	110	150	05.13-01.17	■
2.0 TDI (CAHB)		Diesel	FWD	1968	120	163	05.09-06.14	■
2.0 TDI (CGLD)		Diesel	FWD	1968	120	163	05.09-06.14	■
2.0 TDI (CAHA)		Diesel	FWD	1968	125	170	05.09-03.12	■
2.0 TDI (CGLC)		Diesel	FWD	1968	130	177	10.11-01.17	■
2.0 TDI quattro (CGLC)		Diesel	4WD	1968	130	177	01.12-05.15	■
2.0 TDI (CNHA)		Diesel	FWD	1968	140	190	09.13-01.17	■
2.0 TDI quattro (CNHA)		Diesel	4WD	1968	140	190	09.13-01.17	■

# LISTA DE APLICACIONES - BUYERS GUIDE

2.7 TDI (CGKB)		Diesel	FWD	2698	120	163	05.09-03.12	■	
2.7 TDI (CGKA)		Diesel	FWD	2698	140	190	03.09-03.12	■	
3.0 TDI (CLAB)		Diesel	FWD	2967	150	204	10.11-01.17	■	
3.0 TDI quattro (CKVD)		Diesel	4WD	2967	160	218	05.15-01.17	■	
3.0 TDI quattro (CCWA)		Diesel	4WD	2967	176	240	03.09-03.12	■	
3.0 TDI quattro (CDUC)		Diesel	4WD	2967	180	245	10.11-01.17	■	
3.0 TDI quattro (CKVC)		Diesel	4WD	2967	180	245	10.11-01.17	■	
<b>A5 (8T3) 06.07-10.17</b>					<b>Coupe (Compact executive car-D Segment)</b>				
1.8 TFSI (CABD)		Gasolina	FWD	1798	125	170	10.07-01.17	■	
1.8 TFSI (CJEB)		Gasolina	FWD	1798	125	170	10.07-01.17	■	
1.8 TFSI (CJEE)		Gasolina	FWD	1798	130	177	05.15-01.17	■	
2.0 TFSI (CDNB)		Gasolina	FWD	1984	132	180	11.08-03.12	■	
2.0 TFSI (CDNC)		Gasolina	FWD	1984	155	211	06.08-11.13	■	
2.0 TFSI quattro (CAEB)		Gasolina	4WD	1984	155	211	06.08-01.17	■	
2.0 TFSI quattro (CDNC)		Gasolina	4WD	1984	155	211	06.08-01.17	■	
2.0 TFSI quattro (CPMA)		Gasolina	4WD	1984	155	211	06.08-01.17	■	
2.0 TFSI quattro (CAED)		Gasolina	4WD	1984	162	220	03.12-01.17	■	
2.0 TFSI quattro (CPMB)		Gasolina	4WD	1984	162	220	03.12-01.17	■	
2.0 TFSI (CNCD)		Gasolina	FWD	1984	165	224	05.13-05.16	■	
2.0 TFSI quattro (CNCD)		Gasolina	4WD	1984	165	224	05.13-05.16	■	
2.0 TFSI (CNCE)		Gasolina	FWD	1984	169	230	08.15-01.17	■	
2.0 TFSI quattro (CNCE)		Gasolina	4WD	1984	169	230	08.15-01.17	■	
3.0 TFSI quattro (CHMB)		Gasolina	4WD	2995	200	272	12.11-01.17	■	
3.0 TFSI quattro (CMUA)		Gasolina	4WD	2995	200	272	12.11-01.17	■	
3.0 TFSI quattro (CRED)		Gasolina	4WD	2995	200	272	12.11-01.17	■	
2.0 TDI (CAHB)		Diesel	FWD	1968	120	163	08.08-01.17	■	
2.0 TDI (CGLD)		Diesel	FWD	1968	120	163	08.08-01.17	■	
2.0 TDI (CNHC)		Diesel	FWD	1968	120	163	08.08-01.17	■	
2.0 TDI (CGLC)		Diesel	FWD	1968	130	177	10.11-01.17	■	
2.0 TDI quattro (CGLC)		Diesel	4WD	1968	130	177	12.11-01.17	■	
2.0 TDI (CNHA)		Diesel	FWD	1968	140	190	09.13-01.17	■	
2.0 TDI quattro (CNHA)		Diesel	4WD	1968	140	190	09.13-01.17	■	
3.0 TDI (CLAB)		Diesel	FWD	2967	150	204	10.11-01.17	■	
3.0 TDI quattro (CKVD)		Diesel	4WD	2967	160	218	05.15-01.17	■	
3.0 TDI quattro (CDUC)		Diesel	4WD	2967	180	245	10.11-01.17	■	
3.0 TDI quattro (CKVB)		Diesel	4WD	2967	180	245	10.11-01.17	■	
3.0 TDI quattro (CKVC)		Diesel	4WD	2967	180	245	10.11-01.17	■	
<b>A5 Sportback (8TA) 07.07-10.17</b>					<b>Hatchback (Compact executive car-D Segment)</b>				
1.8 TFSI (CJED)		Gasolina	FWD	1798	106	144	09.14-01.17	■	
1.8 TFSI (CJEB)		Gasolina	FWD	1798	125	170	08.11-01.17	■	
1.8 TFSI (CJEE)		Gasolina	FWD	1798	130	177	05.15-01.17	■	
2.0 TFSI (CDNB)		Gasolina	FWD	1984	132	180	09.09-06.14	■	
2.0 TFSI (CDNC)		Gasolina	FWD	1984	155	211	09.09-11.13	■	
2.0 TFSI quattro (CDNC)		Gasolina	4WD	1984	155	211	09.09-01.17	■	
2.0 TFSI (CNCD)		Gasolina	FWD	1984	165	224	05.13-05.16	■	
2.0 TFSI quattro (CNCD)		Gasolina	4WD	1984	165	224	05.13-05.16	■	
2.0 TFSI (CNCE)		Gasolina	FWD	1984	169	230	08.15-01.17	■	
2.0 TFSI quattro (CNCE)		Gasolina	4WD	1984	169	230	08.15-01.17	■	
3.0 TFSI quattro (CHMB)		Gasolina	4WD	2995	200	272	12.11-01.17	■	
3.0 TFSI quattro (CMUA)		Gasolina	4WD	2995	200	272	12.11-01.17	■	

# LISTA DE APLICACIONES - BUYERS GUIDE

3.0 TFSI quattro (CRED)		Gasolina	4WD	2995	200	272	12.11-01.17	■	
2.0 TDI (CAGB)		Diesel	FWD	1968	100	136	09.09-01.17	■	
2.0 TDI (CJCB)		Diesel	FWD	1968	100	136	09.09-01.17	■	
2.0 TDI (CSUB)		Diesel	FWD	1968	100	136	09.09-01.17	■	
2.0 TDI (CAGA)		Diesel	FWD	1968	105	143	09.09-01.17	■	
2.0 TDI (CJCA)		Diesel	FWD	1968	105	143	09.09-01.17	■	
2.0 TDI (CMEA)		Diesel	FWD	1968	105	143	09.09-01.17	■	
2.0 TDI (CMFA)		Diesel	FWD	1968	105	143	09.09-01.17	■	
2.0 TDI (CJCD)		Diesel	FWD	1968	110	150	05.13-01.17	■	
2.0 TDI (CMFB)		Diesel	FWD	1968	110	150	05.13-01.17	■	
2.0 TDI (CSUA)		Diesel	FWD	1968	110	150	05.13-01.17	■	
2.0 TDI (CAHB)		Diesel	FWD	1968	120	163	09.09-01.17	■	
2.0 TDI (CGLD)		Diesel	FWD	1968	120	163	09.09-01.17	■	
2.0 TDI (CNHC)		Diesel	FWD	1968	120	163	09.09-01.17	■	
2.0 TDI (CGLC)		Diesel	FWD	1968	130	177	10.11-01.17	■	
2.0 TDI quattro (CGLC)		Diesel	4WD	1968	130	177	12.11-01.17	■	
2.0 TDI (CNHA)		Diesel	FWD	1968	140	190	09.13-01.17	■	
2.0 TDI quattro (CNHA)		Diesel	4WD	1968	140	190	09.13-01.17	■	
3.0 TDI (CLAB)		Diesel	FWD	2967	150	204	10.11-01.17	■	
3.0 TDI quattro (CKVD)		Diesel	4WD	2967	160	218	05.15-01.17	■	
3.0 TDI quattro (CDUC)		Diesel	4WD	2967	180	245	10.11-01.17	■	
3.0 TDI quattro (CKVB)		Diesel	4WD	2967	180	245	10.11-01.17	■	
3.0 TDI quattro (CKVC)		Diesel	4WD	2967	180	245	10.11-01.17	■	
<b>A6 IV Allroad C7 (4GH, 4GJ) 01.12-</b>					<b>Estate (Executive car-E Segment)</b>				
3.0 TFSI quattro (CGWD)	discØ 345, PR 1LJ	Gasolina	4WD	2995	228	310	01.12-12.14	■	
3.0 TFSI quattro (CREC)	PR 1LJ	Gasolina	4WD	2995	245	333	09.14-09.18	■	
3.0 TDI quattro (CZVF)	PR 1LJ	Diesel	4WD	2967	140	190	11.15-09.18	■	
3.0 TDI quattro (CLAA)	discØ 345, PR 1LJ	Diesel	4WD	2967	150	204	01.12-12.14	■	
3.0 TDI quattro (CRTF)	PR 1LJ	Diesel	4WD	2967	155	211	09.14-09.18	■	
3.0 TDI quattro (CZVC)	PR 1LJ	Diesel	4WD	2967	155	211	09.14-09.18	■	
3.0 TDI quattro (CRTE)	PR 1LJ	Diesel	4WD	2967	160	218	09.14-09.18	■	
3.0 TDI quattro (CZVA)	PR 1LJ	Diesel	4WD	2967	160	218	09.14-09.18	■	
3.0 TDI quattro (CDUD)	discØ 345, PR 1LJ	Diesel	4WD	2967	180	245	01.12-06.16	■	
3.0 TDI quattro (CKVC)	discØ 345, PR 1LJ	Diesel	4WD	2967	180	245	01.12-06.16	■	
3.0 TDI quattro (CRTD)	PR 1LJ	Diesel	4WD	2967	200	272	09.14-09.18	■	
3.0 TDI quattro (CGQB)	discØ 345, PR 1LJ	Diesel	4WD	2967	230	313	01.12-12.14	■	
3.0 TDI quattro (CVUA)	PR 1LJ	Diesel	4WD	2967	235	320	01.12-09.18	■	
<b>A6 IV C7 (4G2, 4GC) 11.10-</b>					<b>Saloon (Executive car-E Segment)</b>				
1.8 TFSI (CYGA)	PR 1LA, PR 1LJ	Gasolina	FWD	1798	140	190	09.14-09.18	■	
2.0 TFSI (CDNB)	PR 1LA, discØ 320   PR 1LJ, discØ 345	Gasolina	FWD	1984	132	180	05.11-09.18	■	
2.0 TFSI (CAEB)	PR 1LA, discØ 320   PR 1LJ, discØ 345	Gasolina	FWD	1984	155	211	03.11-05.13	■	
2.0 TFSI quattro (CAEB)	PR 1LA, PR 1LJ	Gasolina	4WD	1984	155	211	05.12-04.15	■	
2.0 TFSI (CAED)	PR 1LA, PR 1LJ	Gasolina	FWD	1984	162	220	05.13-09.18	■	
2.0 TFSI quattro (CAED)	PR 1LA, PR 1LJ	Gasolina	4WD	1984	162	220	05.13-09.18	■	
2.0 TFSI quattro (CYPB)	PR 1LA, PR 1LJ	Gasolina	4WD	1984	183	249	05.15-09.18	■	
2.0 TFSI (CYNB)	PR 1LA, PR 1LJ	Gasolina	FWD	1984	185	252	09.14-09.18	■	
2.0 TFSI (CYPA)	PR 1LA, PR 1LJ	Gasolina	FWD	1984	185	252	09.14-09.18	■	
2.0 TFSI quattro (CYNB)	PR 1LA, PR 1LJ	Gasolina	4WD	1984	185	252	05.14-09.18	■	
2.0 TFSI quattro (CYPA)	PR 1LA, PR 1LJ	Gasolina	4WD	1984	185	252	05.14-09.18	■	

# LISTA DE APLICACIONES - BUYERS GUIDE

2.8 FSI (CHVA)	PR 1LA, discØ 320   PR 1LJ, discØ 345	Gasolina	FWD	2773	150	204	11.10-04.15	■
2.8 FSI quattro (CHVA)	PR 1LA, discØ 320   PR 1LJ, discØ 345	Gasolina	4WD	2773	150	204	11.10-04.15	■
2.8 FSI quattro (CVPA)	PR 1LA, PR 1LJ	Gasolina	4WD	2773	162	220	09.14-09.18	■
3.0	PR 1LA, discØ 320, PR 1LJ, discØ 345	Gasolina	FWD	2995	213	290	11.11-	■
3.0	PR 1LA, discØ 320, PR 1LJ, discØ 345	Gasolina	FWD	2995	213	290	11.11-	■
3.0 TFSI quattro (CCAA)	PR 1LA, discØ 320   PR 1LJ, discØ 345	Gasolina	4WD	2995	220	300	11.10-05.12	■
3.0 TFSI quattro (CGWB)	PR 1LA, discØ 320   PR 1LJ, discØ 345	Gasolina	4WD	2995	220	300	11.10-05.12	■
3.0 TFSI quattro (CGWD)	PR 1LA, discØ 320   PR 1LJ, discØ 345	Gasolina	4WD	2995	228	310	03.11-09.18	■
3.0 TFSI quattro (CGXB)	PR 1LA, discØ 320   PR 1LJ, discØ 345	Gasolina	4WD	2995	228	310	03.11-09.18	■
3.0 TFSI quattro (CTUA)	PR 1LA, discØ 320   PR 1LJ, discØ 345	Gasolina	4WD	2995	228	310	03.11-09.18	■
3.0 TFSI quattro (CREC)	PR 1LA, PR 1LJ	Gasolina	4WD	2995	245	333	09.14-09.18	■
3.0 TFSI quattro		Gasolina	4WD	2995	250	340	09.16-09.18	■
S6 quattro (CEUC)	PR 1LA, PR 1LJ, 04/12-	Gasolina	4WD	3993	309	420	02.12-09.18	■
S6 quattro (CTGE)	PR 1LA, PR 1LJ	Gasolina	4WD	3993	331	450	10.14-09.18	■
2.0 TFSI Hybrid (CHJA)	PR 1LA, discØ 320   PR 1LJ, discØ 345	Gasol./el éc.	FWD	1984	180	245	11.11-04.15	■
2.0 TDI (CGLE)		Diesel	FWD	1968	100	136	01.12-09.18	■
2.0 TDI (CSUE)		Diesel	FWD	1968	100	136	01.12-09.18	■
2.0 TDI (CSUD)	PR 1LA, PR 1LJ	Diesel	FWD	1968	110	150	09.14-09.18	■
2.0 TDI (DDCB)	PR 1LA, PR 1LJ	Diesel	FWD	1968	110	150	09.14-09.18	■
2.0 TDI (CGLD)	PR 1LA, discØ 320   PR 1LJ, discØ 345	Diesel	FWD	1968	120	163	03.11-09.18	■
2.0 TDI (CGLC)	PR 1LA, discØ 320   PR 1LJ, discØ 345	Diesel	FWD	1968	130	177	03.11-09.18	■
2.0 TDI (CMGB)	PR 1LA, discØ 320   PR 1LJ, discØ 345	Diesel	FWD	1968	130	177	03.11-09.18	■
2.0 TDI (CNHA)	PR 1LA, PR 1LJ	Diesel	FWD	1968	140	190	11.13-09.18	■
2.0 TDI (CZJA)	PR 1LA, PR 1LJ	Diesel	FWD	1968	140	190	11.13-09.18	■
2.0 TDI (DDDA)	PR 1LA, PR 1LJ	Diesel	FWD	1968	140	190	11.13-09.18	■
2.0 TDI quattro (CNHA)	PR 1LA, PR 1LJ	Diesel	4WD	1968	140	190	04.15-09.18	■
2.0 TDI quattro (DDDA)	PR 1LA, PR 1LJ	Diesel	4WD	1968	140	190	04.15-09.18	■
2.1 TDI		Diesel	FWD	1968	140	190	01.15-09.18	■
3.0 TDI (CLAB)	PR 1LA, discØ 320   PR 1LJ, discØ 345	Diesel	FWD	2967	150	204	11.10-09.18	■
3.0 TDI quattro (CLAA)	PR 1LA, discØ 320   PR 1LJ, discØ 345	Diesel	4WD	2967	150	204	03.11-09.18	■
3.0 TDI (CTCB)	PR 1LA, PR 1LJ	Diesel	FWD	2967	155	211	09.14-09.18	■
3.0 TDI (CZVD)	PR 1LA, PR 1LJ	Diesel	FWD	2967	155	211	09.14-09.18	■
3.0 TDI quattro (CRTF)	PR 1LA, PR 1LJ	Diesel	4WD	2967	155	211	09.14-09.18	■
3.0 TDI quattro (CZVC)	PR 1LA, PR 1LJ	Diesel	4WD	2967	155	211	09.14-09.18	■
3.0 TDI (CTCC)	PR 1LA, PR 1LJ	Diesel	FWD	2967	160	218	09.14-09.18	■
3.0 TDI (CZVB)	PR 1LA, PR 1LJ	Diesel	FWD	2967	160	218	09.14-09.18	■
3.0 TDI quattro (CRTE)	PR 1LA, PR 1LJ	Diesel	4WD	2967	160	218	09.14-09.18	■
3.0 TDI quattro (CZVA)	PR 1LA, PR 1LJ	Diesel	4WD	2967	160	218	09.14-09.18	■
3.0 TDI quattro	PR 1LA, PR 1LJ	Diesel	4WD	2967	176	239	05.13-	■
3.0 TDI quattro (CDUC)	PR 1LA, discØ 320   PR 1LJ, discØ 345	Diesel	4WD	2967	180	245	03.11-09.18	■
3.0 TDI quattro (CDUD)	PR 1LA, discØ 320   PR 1LJ, discØ 345	Diesel	4WD	2967	180	245	03.11-09.18	■
3.0 TDI quattro (CKVB)	PR 1LA, discØ 320   PR 1LJ, discØ 345	Diesel	4WD	2967	180	245	03.11-09.18	■
3.0 TDI quattro (CKVC)	PR 1LA, discØ 320   PR 1LJ, discØ 345	Diesel	4WD	2967	180	245	03.11-09.18	■

# LISTA DE APLICACIONES - BUYERS GUIDE

3.0 TDI quattro (CRTD)	PR 1LA, PR 1LJ	Diesel	4WD	2967	200	272	09.14-09.18	■	
3.0 TDI quattro (CGQB)	PR 1LA, discØ 320   PR 1LJ, discØ 345	Diesel	4WD	2967	230	313	11.11-09.18	■	
3.0 TDI quattro (CVUA)	PR 1LA, PR 1LJ	Diesel	4WD	2967	235	320	09.14-09.18	■	
3.0 TDI quattro (CVUB)	PR 1LA, PR 1LJ	Diesel	4WD	2967	240	326	09.14-09.18	■	
<b>A6 IV C7 Avant (4G5, 4GD) 05.11-</b>					<b>Estate (Executive car-E Segment)</b>				
1.8 TFSI (CYGA)	PR 1LJ	Gasolina	FWD	1798	140	190	09.14-09.18	■	
2.0 TFSI (CDNB)	PR 1LA, discØ 320   PR 1LJ, discØ 345	Gasolina	FWD	1984	132	180	06.11-09.18	■	
2.0 TFSI quattro (CYPB)	PR 1LA, PR 1LJ	Gasolina	4WD	1984	183	249	05.15-09.18	■	
2.0 TFSI (CYNB)	PR 1LA, PR 1LJ	Gasolina	FWD	1984	185	252	09.14-09.18	■	
2.0 TFSI (CYPA)	PR 1LA, PR 1LJ	Gasolina	FWD	1984	185	252	09.14-09.18	■	
2.0 TFSI quattro (CYPA)	PR 1LA, PR 1LJ	Gasolina	4WD	1984	185	252	05.15-09.18	■	
2.8 FSI (CHVA)	PR 1LA, discØ 320   PR 1LJ, discØ 345	Gasolina	FWD	2773	150	204	05.11-04.15	■	
2.8 FSI quattro (CHVA)	PR 1LA, discØ 320   PR 1LJ, discØ 345	Gasolina	4WD	2773	150	204	05.11-04.15	■	
2.8 FSI quattro (CVPA)	PR 1LA, PR 1LJ	Gasolina	4WD	2773	162	220	09.14-09.18	■	
3.0 TFSI quattro (CGWB)	PR 1LA, discØ 320   PR 1LJ, discØ 345	Gasolina	4WD	2995	220	300	05.11-05.12	■	
3.0 TFSI quattro (CGWD)	PR 1LA, discØ 320   PR 1LJ, discØ 345	Gasolina	4WD	2995	228	310	11.11-09.18	■	
3.0 TFSI quattro (CREC)	PR 1LA, PR 1LJ	Gasolina	4WD	2995	245	333	09.14-09.18	■	
S6 quattro (CEUC)	PR 1LA, PR 1LJ, 04/12-	Gasolina	4WD	3993	309	420	02.12-09.18	■	
S6 quattro (CTGE)	PR 1LA, PR 1LJ	Gasolina	4WD	3993	331	450	10.14-09.18	■	
2.0 TDI (CGLE)		Diesel	FWD	1968	100	136	01.12-09.18	■	
2.0 TDI (CSUE)		Diesel	FWD	1968	100	136	01.12-09.18	■	
2.0 TDI (DDCA)		Diesel	FWD	1968	100	136	01.12-09.18	■	
2.0 TDI (CSUD)	PR 1LA, PR 1LJ	Diesel	FWD	1968	110	150	09.14-09.18	■	
2.0 TDI (DDCB)	PR 1LA, PR 1LJ	Diesel	FWD	1968	110	150	09.14-09.18	■	
2.0 TDI (CGLD)	PR 1LA, discØ 320   PR 1LJ, discØ 345	Diesel	FWD	1968	120	163	05.11-09.18	■	
2.0 TDI (CGLC)	PR 1LA, discØ 320   PR 1LJ, discØ 345	Diesel	FWD	1968	130	177	05.11-09.18	■	
2.0 TDI (CMGB)	PR 1LA, discØ 320   PR 1LJ, discØ 345	Diesel	FWD	1968	130	177	05.11-09.18	■	
2.0 TDI (CNHA)	PR 1LA, PR 1LJ	Diesel	FWD	1968	140	190	11.13-09.18	■	
2.0 TDI (CZJA)	PR 1LA, PR 1LJ	Diesel	FWD	1968	140	190	11.13-09.18	■	
2.0 TDI (DDDA)	PR 1LA, PR 1LJ	Diesel	FWD	1968	140	190	11.13-09.18	■	
2.0 TDI quattro (CNHA)	PR 1LA, PR 1LJ	Diesel	4WD	1968	140	190	04.15-09.18	■	
2.0 TDI quattro (DDDA)	PR 1LA, PR 1LJ	Diesel	4WD	1968	140	190	04.15-09.18	■	
3.0 TDI (CLAB)	PR 1LA, discØ 320   PR 1LJ, discØ 345	Diesel	FWD	2967	150	204	05.11-09.18	■	
3.0 TDI quattro (CLAA)	PR 1LA, discØ 320   PR 1LJ, discØ 345	Diesel	4WD	2967	150	204	05.11-09.18	■	
3.0 TDI (CTCB)	PR 1LA, PR 1LJ	Diesel	FWD	2967	155	211	09.14-09.18	■	
3.0 TDI (CZVD)	PR 1LA, PR 1LJ	Diesel	FWD	2967	155	211	09.14-09.18	■	
3.0 TDI quattro (CRTF)	PR 1LA, PR 1LJ	Diesel	4WD	2967	155	211	09.14-09.18	■	
3.0 TDI quattro (CZVC)	PR 1LA, PR 1LJ	Diesel	4WD	2967	155	211	09.14-09.18	■	
3.0 TDI (CTCC)	PR 1LA, PR 1LJ	Diesel	FWD	2967	160	218	09.14-09.18	■	
3.0 TDI (CZVB)	PR 1LA, PR 1LJ	Diesel	FWD	2967	160	218	09.14-09.18	■	
3.0 TDI quattro (CRTE)	PR 1LA, PR 1LJ	Diesel	4WD	2967	160	218	09.14-09.18	■	
3.0 TDI quattro (CZVA)	PR 1LA, PR 1LJ	Diesel	4WD	2967	160	218	09.14-09.18	■	
3.0 TDI quattro (CDUC)	PR 1LA, discØ 320   PR 1LJ	Diesel	4WD	2967	180	245	05.11-09.18	■	
3.0 TDI quattro (CDUD)	PR 1LA, discØ 320   PR 1LJ	Diesel	4WD	2967	180	245	05.11-09.18	■	
3.0 TDI quattro (CKVB)	PR 1LA, discØ 320   PR 1LJ	Diesel	4WD	2967	180	245	05.11-09.18	■	
3.0 TDI quattro (CKVC)	PR 1LA, discØ 320   PR 1LJ	Diesel	4WD	2967	180	245	05.11-09.18	■	

# LISTA DE APLICACIONES - BUYERS GUIDE

3.0 TDI quattro (CRTD)	PR 1LA, PR 1LJ	Diesel	4WD	2967	200	272	09.14-09.18	■	
3.0 TDI quattro (CGQB)	PR 1LA, discØ 320   PR 1LJ, discØ 345	Diesel	4WD	2967	230	313	11.11-09.18	■	
3.0 TDI quattro (CVUA)	PR 1LA, PR 1LJ	Diesel	4WD	2967	235	320	09.14-09.18	■	
3.0 TDI quattro (CVUB)	PR 1LA, PR 1LJ	Diesel	4WD	2967	240	326	09.14-09.18	■	
<b>A6 V Allroad C8 (4AH) 11.18-</b>					<b>Estate (Executive car-E Segment)</b>				
45 TDI Mild Hybrid quattro (DDVE)	PR 1LJ, discØ 345	Diesel/el éc.	4WD	2967	170	231	11.18-	■	
50 TDI Mild Hybrid quattro (DDVB)	PR 1LJ, discØ 345	Diesel/el éc.	4WD	2967	210	286	11.18-	■	
55 TDI Mild Hybrid quattro (DEWA)	PR 1LJ, discØ 345	Diesel/el éc.	4WD	2967	257	349	03.19-	■	
<b>A7 Sportback (4GA, 4GF) 07.10-11.19</b>					<b>Hatchback (Executive car-E Segment)</b>				
1.8 TFSI (CYGA)	PR 1LA, PR 1LJ	Gasolina	FWD	1798	140	190	04.15-05.18	■	
2.0 TFSI quattro (CYPB)	PR 1LA, discØ 320, PR 1LJ, discØ 345	Gasolina	4WD	1984	183	249	05.15-05.18	■	
2.0 TFSI (CYPA)	PR 1LA, discØ 320, PR 1LJ, discØ 345	Gasolina	FWD	1984	185	252	09.14-05.18	■	
2.0 TFSI quattro (CYNB)	PR 1LA, discØ 320, PR 1LJ, discØ 345	Gasolina	4WD	1984	185	252	05.15-05.18	■	
2.0 TFSI quattro (CYPA)	PR 1LA, discØ 320, PR 1LJ, discØ 345	Gasolina	4WD	1984	185	252	05.15-05.18	■	
2.8 FSI (CHVA)	PR 1LA, discØ 320   PR 1LJ, discØ 345	Gasolina	FWD	2773	150	204	02.11-03.15	■	
2.8 FSI quattro (CHVA)	PR 1LA, discØ 320   PR 1LJ, discØ 345	Gasolina	4WD	2773	150	204	10.10-03.15	■	
2.8 FSI quattro (CNYA)	PR 1LA, discØ 320   PR 1LJ, discØ 345	Gasolina	4WD	2773	150	204	10.10-03.15	■	
2.8 FSI quattro (CVPA)		Gasolina	4WD	2773	162	220	09.14-05.18	■	
3.0 TFSI quattro (CGWB)	PR 1LA, discØ 320   PR 1LJ, discØ 345	Gasolina	4WD	2995	220	300	10.10-05.12	■	
3.0 TFSI quattro (CHMA)	PR 1LA, discØ 320   PR 1LJ, discØ 345	Gasolina	4WD	2995	220	300	10.10-05.12	■	
3.0 TFSI quattro (CGWD)	PR 1LA, discØ 320   PR 1LJ, discØ 345	Gasolina	4WD	2995	228	310	01.11-03.15	■	
3.0 TFSI quattro (CGXB)	PR 1LA, discØ 320   PR 1LJ, discØ 345	Gasolina	4WD	2995	228	310	01.11-03.15	■	
3.0 TFSI quattro (CTTA)	PR 1LA, discØ 320   PR 1LJ, discØ 345	Gasolina	4WD	2995	228	310	01.11-03.15	■	
3.0 TFSI quattro (CTUA)	PR 1LA, discØ 320   PR 1LJ, discØ 345	Gasolina	4WD	2995	228	310	01.11-03.15	■	
3.0 TFSI quattro (CREC)	PR 1LA, PR 1LJ	Gasolina	4WD	2995	245	333	05.14-05.18	■	
S7 quattro (CEUC)	PR 1LA, PR 1LJ	Gasolina	4WD	3993	309	420	02.12-03.15	■	
S7 quattro (CTGE)	PR 1LA, PR 1LJ	Gasolina	4WD	3993	331	450	07.14-05.18	■	
3.0 TDI (CZVE)	PR 1LA, PR 1LJ	Diesel	FWD	2967	140	190	11.15-05.18	■	
3.0 TDI quattro (CZVE)	PR 1LA, PR 1LJ	Diesel	4WD	2967	140	190	11.15-05.18	■	
3.0 TDI quattro (CZVF)	PR 1LA, PR 1LJ	Diesel	4WD	2967	140	190	11.15-05.18	■	
3.0 TDI (CLAB)	PR 1LA, discØ 320   PR 1LJ, discØ 345	Diesel	FWD	2967	150	204	11.10-03.15	■	
3.0 TDI quattro (CLAA)	PR 1LA, discØ 320   PR 1LJ, discØ 345	Diesel	4WD	2967	150	204	12.10-03.15	■	
3.0 TDI (CZVD)	PR 1LA, PR 1LJ	Diesel	FWD	2967	155	211	11.15-05.18	■	
3.0 TDI quattro (CRTF)	PR 1LA, PR 1LJ	Diesel	4WD	2967	155	211	07.14-05.18	■	
3.0 TDI quattro (CTCB)	PR 1LA, PR 1LJ	Diesel	4WD	2967	155	211	07.14-05.18	■	
3.0 TDI quattro (CZVC)	PR 1LA, PR 1LJ	Diesel	4WD	2967	155	211	07.14-05.18	■	
3.0 TDI (CTCC)	PR 1LA, PR 1LJ	Diesel	FWD	2967	160	218	07.14-05.18	■	
3.0 TDI (CZVB)	PR 1LA, PR 1LJ	Diesel	FWD	2967	160	218	07.14-05.18	■	
3.0 TDI quattro (CRTE)	PR 1LA, PR 1LJ	Diesel	4WD	2967	160	218	07.14-05.18	■	
3.0 TDI quattro (CZVA)	PR 1LA, PR 1LJ	Diesel	4WD	2967	160	218	07.14-05.18	■	
3.0 TDI quattro (CPNB)	PR 1LA, PR 1LJ	Diesel	4WD	2967	176	239	05.13-06.17	■	

# LISTA DE APLICACIONES - BUYERS GUIDE

3.0 TDI quattro (CDUC)	PR 1LA, discØ 320   PR 1LJ, discØ 345	Diesel	4WD	2967	180	245	10.10-06.16	■	
3.0 TDI quattro (CDUD)	PR 1LA, discØ 320   PR 1LJ, discØ 345	Diesel	4WD	2967	180	245	10.10-06.16	■	
3.0 TDI quattro (CKVB)	PR 1LA, discØ 320   PR 1LJ, discØ 345	Diesel	4WD	2967	180	245	10.10-06.16	■	
3.0 TDI quattro (CKVC)	PR 1LA, discØ 320   PR 1LJ, discØ 345	Diesel	4WD	2967	180	245	10.10-06.16	■	
3.0 TDI quattro (CRTD)	PR 1LA, PR 1LJ	Diesel	4WD	2967	200	272	05.14-05.18	■	
3.0 TDI quattro (CGQB)	PR 1LA, discØ 320   PR 1LJ, discØ 345	Diesel	4WD	2967	230	313	11.11-03.15	■	
3.0 TDI quattro (CVUA)	PR 1LA, PR 1LJ	Diesel	4WD	2967	235	320	05.14-05.18	■	
3.0 TDI quattro (CVUB)	PR 1LA, discØ 320, PR 1LJ, discØ 345	Diesel	4WD	2967	240	326	09.14-05.18	■	
<b>Q5 (U.S.A. 8R) 09.08-12.10</b>							<b>Closed Off-Road Vehicle (Luxury Crossover SUV-J Segment)</b>		
3.2	PR 1LA, PR 1LJ, PR 1ZB, discØ 320, PR 1ZT, discØ 345	Gasolina	FWD		201	274	09.08-12.10	■	
<b>Q5 (8RB) 11.08-12.17</b>							<b>SUV Van (Luxury Crossover SUV-J Segment)</b>		
2.0 TFSI quattro	PR 1LA, PR 1LJ, PR 1ZB, discØ 320, PR 1ZT, discØ 345	Gasolina	4WD	1984	155	211	11.08-09.12	■	
3.2 FSI quattro	PR 1LA, PR 1LJ, PR 1ZB, discØ 320, PR 1LJ, PR 1ZT, discØ 345	Gasolina	4WD	3197	199	271	11.08-09.12	■	
2.0 TDI	PR 1LA, PR 1LJ, PR 1ZB, discØ 320, PR 1ZT, discØ 345	Diesel	FWD	1968	100	136	05.14-05.17	■	
2.0 TDI	discØ 320, PR 1LA, PR 1LJ, PR 1ZB, PR 1ZT, discØ 345	Diesel	FWD	1968	105	143	11.11-05.13	■	
2.0 TDI	PR 1LA, PR 1ZB, PR 1ZT	Diesel	FWD	1968	110	150	06.12-05.17	■	
2.0 TDI quattro	discØ 320, PR 1LA, PR 1LJ, PR 1ZB, PR 1ZT, discØ 345	Diesel	4WD	1968	125	170	11.08-09.12	■	
2.0 TDI quattro	PR 1LJ, 09/12-	Diesel	4WD	1968	130	177	07.12-06.14	■	
2.0 TDI	PR 1LA, PR 1ZB, PR 1ZT	Diesel	FWD	1968	140	190	05.15-05.17	■	
3.0 TDI quattro	PR 1LA, PR 1LJ, PR 1ZB, PR 1ZT, discØ 345	Diesel	4WD	2967	176	239	11.08-04.13	■	
3.0 TDI quattro	PR 1LJ, 09/12-, discØ 345	Diesel	4WD	2967	180	245	06.12-05.17	■	
3.0 TDI quattro	PR 1LJ, discØ 345	Diesel	4WD	2967	190	258	11.13-05.17	■	
<b>Q5 (8RB) 11.08-</b>							<b>SUV (Luxury Crossover SUV-J Segment)</b>		
2.0 TFSI quattro	PR 1LJ, 09/12-	Gasolina	4WD	1984	130	177	09.09-10.09	■	
2.0 TFSI quattro (CDNB)	PR 1LA, PR 1LJ, PR 1ZB   PR 1ZT, discØ 345	Gasolina	4WD	1984	132	180	08.09-05.17	■	
2.0 TFSI quattro (CNCB)	PR 1LA, PR 1LJ, PR 1ZB   PR 1ZT, discØ 345	Gasolina	4WD	1984	132	180	08.09-05.17	■	
2.0 TFSI quattro (CAEB)	PR 1LA, PR 1LJ, PR 1ZB, discØ 320   PR 1ZT, discØ 345	Gasolina	4WD	1984	155	211	11.08-09.12	■	
2.0 TFSI quattro (CDNC)	PR 1LA, PR 1LJ, PR 1ZB, discØ 320   PR 1ZT, discØ 345	Gasolina	4WD	1984	155	211	11.08-09.12	■	
2.0 TFSI quattro (CPMB)	PR 1LA, PR 1ZB, PR 1ZT	Gasolina	4WD	1984	162	220	05.13-05.17	■	
2.0 TFSI quattro (CNCD)	PR 1LJ	Gasolina	4WD	1984	165	224	06.12-05.16	■	
2.0 TFSI quattro (CNCE)	PR 1LA, PR 1ZB, PR 1ZT	Gasolina	4WD	1984	169	230	08.15-05.17	■	
3.0 TFSI quattro (CTUC)	PR 1LJ, 09/12-	Gasolina	4WD	2995	200	272	06.12-05.17	■	
3.0 TFSI quattro (CTVA)	PR 1LJ, 09/12-	Gasolina	4WD	2995	200	272	06.12-05.17	■	
SQ5 TFSI quattro (CTUD)	PR 1LJ	Gasolina	4WD	2995	260	354	05.13-05.17	■	
SQ5 TFSI quattro (CTXA)	PR 1LJ	Gasolina	4WD	2995	260	354	05.13-05.17	■	
SQ5 TFSI	PR 1LJ	Gasolina	FWD	2995	264	359	03.14-	■	
3.2 FSI quattro (CALB)	PR 1LA, PR 1LJ, PR 1ZB, discØ 320   PR 1ZT, discØ 345	Gasolina	4WD	3197	199	270	11.08-12.12	■	
2.0 TFSI Hybrid quattro (CHJA)	PR 1LA, PR 1LJ, PR 1ZB   PR 1ZT, discØ 345	Gasol./el éc.	4WD	1984	180	245	06.11-06.16	■	
2.0 TFSI Hybrid quattro (CHJA)	PR 1LJ	Gasol./el éc.	4WD	1984	180	245	09.12-05.16	■	
2.0 TDI (CJCB)	PR 1LA, PR 1LJ, PR 1ZB   PR 1ZT, discØ 345	Diesel	FWD	1968	100	136	11.10-05.17	■	

# LISTA DE APLICACIONES - BUYERS GUIDE

2.0 TDI (CSUB)	PR 1LA, PR 1LJ, PR 1ZB   PR 1ZT, discØ 345	Diesel	FWD	1968	100	136	11.10-05.17	■	
2.0 TDI quattro (CAGB)		Diesel	4WD	1968	100	136	08.09-05.17	■	
2.0 TDI quattro (CJCB)		Diesel	4WD	1968	100	136	08.09-05.17	■	
2.0 TDI quattro (CSUB)		Diesel	4WD	1968	100	136	08.09-05.17	■	
2.0 TDI (CJCA)	PR 1LA, PR 1LJ, PR 1ZB   PR 1ZT, discØ 345	Diesel	FWD	1968	105	143	11.10-05.13	■	
2.0 TDI quattro (CAGA)	PR 1LA, PR 1LJ, PR 1ZB   PR 1ZT, discØ 345	Diesel	4WD	1968	105	143	08.09-05.13	■	
2.0 TDI quattro (CJCA)	PR 1LA, PR 1LJ, PR 1ZB   PR 1ZT, discØ 345	Diesel	4WD	1968	105	143	08.09-05.13	■	
2.0 TDI (CJCD)	PR 1LA, PR 1ZB, PR 1ZT	Diesel	FWD	1968	110	150	05.13-05.17	■	
2.0 TDI (CSUA)	PR 1LA, PR 1ZB, PR 1ZT	Diesel	FWD	1968	110	150	05.13-05.17	■	
2.0 TDI quattro (CJCD)	PR 1LA, PR 1ZB, PR 1ZT	Diesel	4WD	1968	110	150	05.13-05.17	■	
2.0 TDI quattro (CSUA)	PR 1LA, PR 1ZB, PR 1ZT	Diesel	4WD	1968	110	150	05.13-05.17	■	
2.0 TDI quattro (CAHB)		Diesel	4WD	1968	120	163	11.08-05.17	■	
2.0 TDI quattro (CGLA)		Diesel	4WD	1968	120	163	11.08-05.17	■	
2.0 TDI quattro (CGLD)		Diesel	4WD	1968	120	163	11.08-05.17	■	
2.0 TDI quattro (CNHC)		Diesel	4WD	1968	120	163	11.08-05.17	■	
2.0 TDI quattro (CAHA)	PR 1LA, PR 1LJ, PR 1ZB   PR 1ZT, discØ 345	Diesel	4WD	1968	125	170	11.08-09.12	■	
2.0 TDI quattro (CGLB)	PR 1LA, PR 1LJ, PR 1ZB   PR 1ZT, discØ 345	Diesel	4WD	1968	125	170	11.08-09.12	■	
2.0 TDI quattro (CMGA)	PR 1LA, PR 1LJ, PR 1ZB   PR 1ZT, discØ 345	Diesel	4WD	1968	125	170	11.08-09.12	■	
2.0 TDI quattro (CGLC)	PR 1LA, PR 1ZB, PR 1ZT, 09/12-	Diesel	4WD	1968	130	177	06.12-05.17	■	
2.0 TDI quattro (CMGB)	PR 1LA, PR 1ZB, PR 1ZT, 09/12-	Diesel	4WD	1968	130	177	06.12-05.17	■	
2.0 TDI (CNHA)	PR 1LA, PR 1ZB, PR 1ZT	Diesel	FWD	1968	140	190	09.15-05.17	■	
2.0 TDI quattro (CNHA)	PR 1LJ	Diesel	4WD	1968	140	190	11.13-05.17	■	
3.0 TDI quattro (CCWB)		Diesel	4WD	2967	155	211	11.08-09.12	■	
3.0 TDI quattro (CCWA)	PR 1LA, PR 1LJ, PR 1ZB   PR 1ZT, discØ 345	Diesel	4WD	2967	176	240	11.08-05.17	■	
3.0 TDI quattro (CPNB)	PR 1LA, PR 1LJ, PR 1ZB   PR 1ZT, discØ 345	Diesel	4WD	2967	176	240	11.08-05.17	■	
3.0 TDI quattro (CDUD)	PR 1LJ, 09/12-	Diesel	4WD	2967	180	245	06.12-05.17	■	
3.0 TDI quattro (CTBC)	PR 1LJ, 09/12-	Diesel	4WD	2967	184	250	06.12-05.17	■	
3.0 TDI quattro (CTBA)	PR 1LJ	Diesel	4WD	2967	190	258	11.13-05.17	■	
<b>AUDI (FAW)</b>									
<b>Q5 B8 (83B) 10.09-</b>						<b>SUV (Luxury Crossover SUV-J Segment)</b>			
35 TSFI quattro		Gasolina	4WD	1984	132	180	04.13-12.15	■	