

LISTA DE APLICACIONES - BUYERS GUIDE

181864

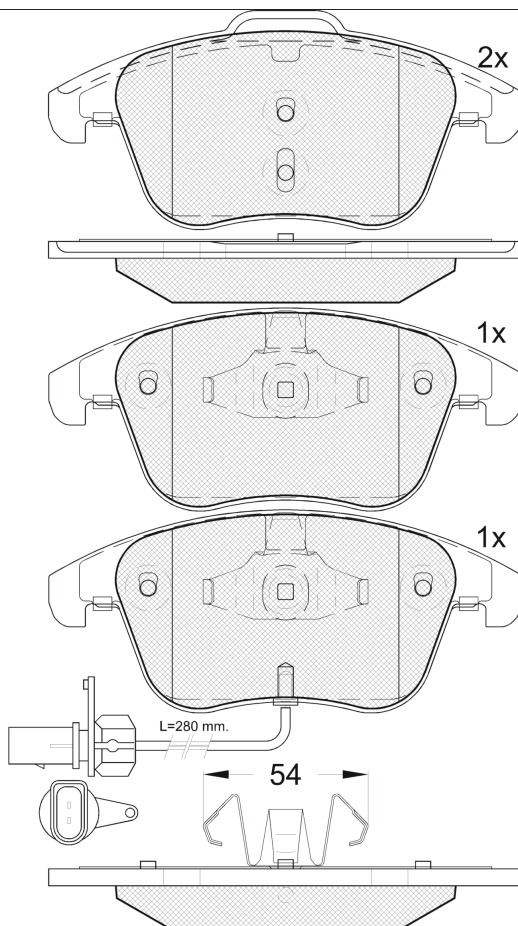


8 424073 097309

Qty: 300

Weight: 2.156

O.E.M.	MAKE
86 60 000 768	RENAULT
86 60 004 536	RENAULT
8K0 698 151 A	AUDI
8K0 698 151 F	AUDI



181864

E 9 90R-01111/2521



Ate - Teves

155.2x66.5x20.7
155.3x71.7x20.7

WVA	FMSI
24705	D1535-8743
24706	
24707	
24749	
MAKE	
AUDI	



Trac.	CC	Kw	CV
-------	----	----	----



Front / Rear

AUDI

A4 IV Allroad B8 (8KH) 04.09-06.17							Estate (Compact executive car-D Segment)			
2.0 TFSI quattro (CDNC)	PR 1LT, discØ 314	Gasolina	4WD	1984	155	211	04.09-05.16	■		
2.0 TFSI quattro (CPMA)	PR 1LT, discØ 314	Gasolina	4WD	1984	155	211	04.09-05.16	■		
2.0 TFSI quattro (CPMB)	PR 1LT	Gasolina	4WD	1984	162	220	05.13-05.16	■		
2.0 TFSI quattro (CNCD)	PR 1LT	Gasolina	4WD	1984	165	224	05.13-05.16	■		
2.0 TDI quattro (CAGB)	PR 1LT, discØ 314	Diesel	4WD	1968	100	136	09.09-05.16	■		
2.0 TDI quattro (CJCB)	PR 1LT, discØ 314	Diesel	4WD	1968	100	136	09.09-05.16	■		
2.0 TDI quattro (CSUB)	PR 1LT, discØ 314	Diesel	4WD	1968	100	136	09.09-05.16	■		
2.0 TDI quattro (CAGA)	discØ 314, PR 1LT	Diesel	4WD	1968	105	143	09.09-05.16	■		
2.0 TDI quattro (CJCA)	discØ 314, PR 1LT	Diesel	4WD	1968	105	143	09.09-05.16	■		
2.0 TDI quattro (CJCD)	PR 1LT	Diesel	4WD	1968	110	150	05.13-05.16	■		
2.0 TDI quattro (CSUA)	PR 1LT	Diesel	4WD	1968	110	150	05.13-05.16	■		
2.0 TDI quattro (CAHB)	PR 1LT, discØ 314	Diesel	4WD	1968	120	163	04.09-05.16	■		
2.0 TDI quattro (CGLD)	PR 1LT, discØ 314	Diesel	4WD	1968	120	163	04.09-05.16	■		
2.0 TDI quattro (CNHC)	PR 1LT, discØ 314	Diesel	4WD	1968	120	163	04.09-05.16	■		
2.0 TDI quattro (CAHA)	PR 1LT, discØ 314	Diesel	4WD	1968	125	170	04.09-05.16	■		
2.0 TDI quattro (CGLC)	PR 1LT, discØ 314	Diesel	4WD	1968	130	177	11.11-05.16	■		
2.0 TDI quattro (CNHA)		Diesel	4WD	1968	140	190	09.13-05.16	■		
3.0 TDI quattro (CCWA)	PR 1LT, discØ 314	Diesel	4WD	2967	176	240	04.09-01.12	■		
3.0 TDI quattro (CDUC)	PR 1LT, discØ 314	Diesel	4WD	2967	180	245	01.12-05.16	■		
3.0 TDI quattro (CKVB)	PR 1LT, discØ 314	Diesel	4WD	2967	180	245	01.12-05.16	■		
3.0 TDI quattro (CKVC)	PR 1LT, discØ 314	Diesel	4WD	2967	180	245	01.12-05.16	■		

LISTA DE APLICACIONES - BUYERS GUIDE

A4 IV B8 (8K2) 08.07-06.17					Saloon (Compact executive car-D Segment)			
1.8 T	PR 1LT, PR 1LY, discØ 314	Gasolina	FWD	1781	110	150	07.08-05.10	■
1.8 TFSI (CABA)	PR 1LT, PR 1LY, discØ 314	Gasolina	FWD	1798	88	120	01.08-12.15	■
1.8 TFSI (CDHA)	PR 1LT, PR 1LY, discØ 314	Gasolina	FWD	1798	88	120	01.08-12.15	■
1.8 TFSI (CABB)	PR 1LT, PR 1LY, discØ 314	Gasolina	FWD	1798	118	160	11.07-03.12	■
1.8 TFSI (CDHB)	PR 1LT, PR 1LY, discØ 314	Gasolina	FWD	1798	118	160	11.07-03.12	■
1.8 TFSI quattro (CDHB)	PR 1LT, PR 1LY, discØ 314	Gasolina	4WD	1798	118	160	09.08-03.12	■
1.8 TFSI (CJEB)	PR 1LT, PR 1LY, discØ 314	Gasolina	FWD	1798	125	170	11.11-12.15	■
1.8 TFSI quattro (CJEB)	PR 1LT, PR 1LY, discØ 314	Gasolina	4WD	1798	125	170	11.11-12.15	■
2.0 TFSI (CAEA)	PR 1LT, PR 1LY, discØ 314	Gasolina	FWD	1984	132	180	06.08-12.15	■
2.0 TFSI (CDNB)	PR 1LT, PR 1LY, discØ 314	Gasolina	FWD	1984	132	180	06.08-12.15	■
2.0 TFSI (CFKA)	PR 1LT, PR 1LY, discØ 314	Gasolina	FWD	1984	132	180	06.08-12.15	■
2.0 TFSI quattro (CFKA)	PR 1LT, PR 1LY, discØ 314	Gasolina	4WD	1984	132	180	11.09-03.12	■
2.0 TFSI (CAEB)	PR 1LT, PR 1LY, discØ 314	Gasolina	FWD	1984	155	211	06.08-05.13	■
2.0 TFSI (CDNC)	PR 1LT, PR 1LY, discØ 314	Gasolina	FWD	1984	155	211	06.08-05.13	■
2.0 TFSI quattro (CAEB)	PR 1LT, PR 1LY, discØ 314	Gasolina	4WD	1984	155	211	06.08-12.15	■
2.0 TFSI quattro (CDNC)	PR 1LT, PR 1LY, discØ 314	Gasolina	4WD	1984	155	211	06.08-12.15	■
2.0 TFSI quattro (CPMA)	PR 1LT, PR 1LY, discØ 314	Gasolina	4WD	1984	155	211	06.08-12.15	■
2.0 TFSI (CAED)	PR 1LT, PR 1LY	Gasolina	FWD	1984	162	220	05.13-12.15	■
2.0 TFSI quattro (CAED)	PR 1LT, PR 1LY	Gasolina	4WD	1984	162	220	05.13-12.15	■
2.0 TFSI quattro (CPMB)	PR 1LT, PR 1LY	Gasolina	4WD	1984	162	220	05.13-12.15	■
2.0 TFSI (CNCD)	PR 1LT, PR 1LY	Gasolina	FWD	1984	165	224	05.13-12.15	■
2.0 TFSI quattro (CNCD)	PR 1LT, PR 1LY	Gasolina	4WD	1984	165	224	05.13-12.15	■
3.0 TFSI quattro (CMUA)	PR 1LT, PR 1LY, discØ 314	Gasolina	4WD	2995	200	272	02.12-12.15	■
3.0 TFSI quattro (CRED)	PR 1LT, PR 1LY, discØ 314	Gasolina	4WD	2995	200	272	02.12-12.15	■
S4 quattro (CAKA)		Gasolina	4WD	2995	245	333	11.08-12.15	■
S4 quattro (CCBA)		Gasolina	4WD	2995	245	333	11.08-12.15	■
S4 quattro (CGWC)		Gasolina	4WD	2995	245	333	11.08-12.15	■
S4 quattro (CGXC)		Gasolina	4WD	2995	245	333	11.08-12.15	■
S4 quattro (CREC)		Gasolina	4WD	2995	245	333	11.08-12.15	■
S4 quattro (CTUB)		Gasolina	4WD	2995	245	333	11.08-12.15	■
3.2 FSI (CALA)	PR 1LT, PR 1LY, discØ 314	Gasolina	FWD	3197	195	265	09.08-03.12	■
3.2 FSI quattro (CALA)	PR 1LT, PR 1LY, discØ 314	Gasolina	4WD	3197	195	265	11.07-03.12	■
2.0 TFSI flexible fuel (CFKA)	PR 1LT, PR 1LY, discØ 314	Gasol./Etanol	FWD	1984	132	180	11.09-12.15	■
2.0 TFSI flexible fuel quattro (CFKA)	PR 1LT, PR 1LY, discØ 314	Gasol./Etanol	4WD	1984	132	180	11.09-12.15	■
2.0 TDI (CAGC)	PR 1LT, PR 1LY, discØ 314	Diesel	FWD	1968	88	120	06.08-12.15	■
2.0 TDI (CJCC)	PR 1LT, PR 1LY, discØ 314	Diesel	FWD	1968	88	120	06.08-12.15	■
2.0 TDI (CAGB)	PR 1LT, PR 1LY, discØ 314	Diesel	FWD	1968	100	136	11.07-12.15	■
2.0 TDI (CJCB)	PR 1LT, PR 1LY, discØ 314	Diesel	FWD	1968	100	136	11.07-12.15	■
2.0 TDI (CSUB)	PR 1LT, PR 1LY, discØ 314	Diesel	FWD	1968	100	136	11.07-12.15	■
2.0 TDI (CAGA)	PR 1LT, PR 1LY, discØ 314	Diesel	FWD	1968	105	143	11.07-12.15	■
2.0 TDI (CJCA)	PR 1LT, PR 1LY, discØ 314	Diesel	FWD	1968	105	143	11.07-12.15	■
2.0 TDI (CMEA)	PR 1LT, PR 1LY, discØ 314	Diesel	FWD	1968	105	143	11.07-12.15	■
2.0 TDI (CMFA)	PR 1LT, PR 1LY, discØ 314	Diesel	FWD	1968	105	143	11.07-12.15	■
2.0 TDI quattro (CAGA)	PR 1LT, PR 1LY, discØ 314	Diesel	4WD	1968	105	143	11.08-12.15	■
2.0 TDI quattro (CJCA)	PR 1LT, PR 1LY, discØ 314	Diesel	4WD	1968	105	143	11.08-12.15	■
2.0 TDI (CJCD)	PR 1LT, PR 1LY	Diesel	FWD	1968	110	150	05.13-12.15	■
2.0 TDI (CMFB)	PR 1LT, PR 1LY	Diesel	FWD	1968	110	150	05.13-12.15	■
2.0 TDI (CSUA)	PR 1LT, PR 1LY	Diesel	FWD	1968	110	150	05.13-12.15	■
2.0 TDI quattro (CJCD)	PR 1LT, PR 1LY	Diesel	4WD	1968	110	150	05.13-12.15	■

LISTA DE APLICACIONES - BUYERS GUIDE

2.0 TDI quattro (CSUA)	PR 1LT, PR 1LY	Diesel	4WD	1968	110	150	05.13-12.15	■	
2.0 TDI (CAHB)	PR 1LT, PR 1LY, discØ 314	Diesel	FWD	1968	120	163	08.08-12.15	■	
2.0 TDI (CGLD)	PR 1LT, PR 1LY, discØ 314	Diesel	FWD	1968	120	163	08.08-12.15	■	
2.0 TDI (CNHC)	PR 1LT, PR 1LY, discØ 314	Diesel	FWD	1968	120	163	08.08-12.15	■	
2.0 TDI (CAHA)	PR 1LT, PR 1LY, discØ 314	Diesel	FWD	1968	125	170	01.08-03.12	■	
2.0 TDI quattro (CAHA)	PR 1LT, PR 1LY, discØ 314	Diesel	4WD	1968	125	170	01.08-03.12	■	
2.0 TDI (CGLC)	PR 1LT, PR 1LY, discØ 314	Diesel	FWD	1968	130	177	11.11-12.15	■	
2.0 TDI (CMGB)	PR 1LT, PR 1LY, discØ 314	Diesel	FWD	1968	130	177	11.11-12.15	■	
2.0 TDI quattro (CGLC)	PR 1LT, PR 1LY, discØ 314	Diesel	4WD	1968	130	177	11.11-12.15	■	
2.0 TDI (CNHA)	PR 1LT, PR 1LY	Diesel	FWD	1968	140	190	09.13-12.15	■	
2.0 TDI quattro (CNHA)	PR 1LT, PR 1LY	Diesel	4WD	1968	140	190	09.13-12.15	■	
2.7 TDI (CAMB)		Diesel	FWD	2698	120	163	11.07-03.12	■	
2.7 TDI (CGKB)		Diesel	FWD	2698	120	163	11.07-03.12	■	
2.7 TDI (CAMA)	PR 1LT, PR 1LY, discØ 314	Diesel	FWD	2698	140	190	11.07-03.12	■	
2.7 TDI (CGKA)	PR 1LT, PR 1LY, discØ 314	Diesel	FWD	2698	140	190	11.07-03.12	■	
3.0 TDI (CLAB)	PR 1LT, PR 1LY, discØ 314	Diesel	FWD	2967	150	204	11.11-12.15	■	
3.0 TDI quattro (CCWB)	PR 1LT, PR 1LY, discØ 314	Diesel	4WD	2967	155	211	06.08-05.10	■	
3.0 TDI	PR 1LT, PR 1LY, discØ 314	Diesel	RWD	2967	171	233	04.09-	■	
3.0 TDI quattro (CAPA)	PR 1LT, PR 1LY, discØ 314	Diesel	4WD	2967	176	240	11.07-03.12	■	
3.0 TDI quattro (CCLA)	PR 1LT, PR 1LY, discØ 314	Diesel	4WD	2967	176	240	11.07-03.12	■	
3.0 TDI quattro (CCWA)	PR 1LT, PR 1LY, discØ 314	Diesel	4WD	2967	176	240	11.07-03.12	■	
3.0 TDI quattro (CDUC)	PR 1LT, PR 1LY, discØ 314	Diesel	4WD	2967	180	245	11.11-12.15	■	
3.0 TDI quattro (CKVB)	PR 1LT, PR 1LY, discØ 314	Diesel	4WD	2967	180	245	11.11-12.15	■	
3.0 TDI quattro (CKVC)	PR 1LT, PR 1LY, discØ 314	Diesel	4WD	2967	180	245	11.11-12.15	■	
A4 IV B8 Avant (8K5) 11.07-06.17							Estate (Compact executive car-D Segment)		
1.8 TFSI (CDHA)	PR 1LT, PR 1LY, discØ 314	Gasolina	FWD	1798	88	120	04.08-12.15	■	
1.8 TFSI (CABB)	01/08-, PR 1LT, PR 1LY, discØ 314	Gasolina	FWD	1798	118	160	11.07-03.12	■	
1.8 TFSI (CDHB)	01/08-, PR 1LT, PR 1LY, discØ 314	Gasolina	FWD	1798	118	160	11.07-03.12	■	
1.8 TFSI quattro (CDHB)	PR 1LT, PR 1LY, discØ 314	Gasolina	4WD	1798	118	160	09.08-03.12	■	
1.8 TFSI (CJEB)	PR 1LT, discØ 314	Gasolina	FWD	1798	125	170	11.11-12.15	■	
1.8 TFSI quattro (CJEB)	PR 1LT, PR 1LY, discØ 314	Gasolina	4WD	1798	125	170	11.11-12.15	■	
2.0 TFSI (CDNB)	PR 1LT, PR 1LY, discØ 314	Gasolina	FWD	1984	132	180	06.08-12.15	■	
2.0 TFSI (CFKA)	PR 1LT, PR 1LY, discØ 314	Gasolina	FWD	1984	132	180	06.08-12.15	■	
2.0 TFSI (CAEB)	PR 1LT, PR 1LY, discØ 314	Gasolina	FWD	1984	155	211	06.08-05.13	■	
2.0 TFSI (CDNC)	PR 1LT, PR 1LY, discØ 314	Gasolina	FWD	1984	155	211	06.08-05.13	■	
2.0 TFSI quattro (CAEB)	PR 1LT, PR 1LY, discØ 314	Gasolina	4WD	1984	155	211	06.08-12.15	■	
2.0 TFSI quattro (CDNC)	PR 1LT, PR 1LY, discØ 314	Gasolina	4WD	1984	155	211	06.08-12.15	■	
2.0 TFSI (CNCD)	PR 1LT, PR 1LY	Gasolina	FWD	1984	165	224	05.13-12.15	■	
2.0 TFSI quattro (CNCD)	PR 1LT, PR 1LY	Gasolina	4WD	1984	165	224	05.13-12.15	■	
3.0 TFSI quattro (CMUA)	PR 1LT, PR 1LY, discØ 314	Gasolina	4WD	2995	200	272	02.12-12.15	■	
3.0 TFSI quattro (CRED)	PR 1LT, PR 1LY, discØ 314	Gasolina	4WD	2995	200	272	02.12-12.15	■	
S4 quattro (CAKA)		Gasolina	4WD	2995	245	333	11.08-12.15	■	
S4 quattro (CCBA)		Gasolina	4WD	2995	245	333	11.08-12.15	■	
S4 quattro (CGWC)		Gasolina	4WD	2995	245	333	11.08-12.15	■	
S4 quattro (CGXC)		Gasolina	4WD	2995	245	333	11.08-12.15	■	
S4 quattro (CREC)		Gasolina	4WD	2995	245	333	11.08-12.15	■	
S4 quattro (CTUB)		Gasolina	4WD	2995	245	333	11.08-12.15	■	
3.2 FSI (CALA)	PR 1LT, PR 1LY, discØ 314	Gasolina	FWD	3197	195	265	09.08-03.12	■	
3.2 FSI quattro (CALA)	PR 1LT, PR 1LY, discØ 314	Gasolina	4WD	3197	195	265	04.08-03.12	■	

LISTA DE APLICACIONES - BUYERS GUIDE

2.0 TFSI flexible fuel (CFKA)	PR 1LT, PR 1LY, discØ 314	Gasol./Etanol	FWD	1984	132	180	11.09-12.15	■
2.0 TFSI flexible fuel quattro (CFKA)	PR 1LT, PR 1LY, discØ 314	Gasol./Etanol	4WD	1984	132	180	11.09-12.15	■
2.0 TDI (CAGC)	PR 1LT, PR 1LY, discØ 314	Diesel	FWD	1968	88	120	06.08-12.15	■
2.0 TDI (CJCC)	PR 1LT, PR 1LY, discØ 314	Diesel	FWD	1968	88	120	06.08-12.15	■
2.0 TDI (CAGB)	PR 1LT, PR 1LY, discØ 314	Diesel	FWD	1968	100	136	04.08-12.15	■
2.0 TDI (CJCB)	PR 1LT, PR 1LY, discØ 314	Diesel	FWD	1968	100	136	04.08-12.15	■
2.0 TDI (CSUB)	PR 1LT, PR 1LY, discØ 314	Diesel	FWD	1968	100	136	04.08-12.15	■
2.0 TDI 16V	PR 1LT, PR 1LY, discØ 314	Diesel	FWD	1968	103	140	07.08-	■
2.0 TDI (CAGA)	PR 1LT, PR 1LY, discØ 314	Diesel	FWD	1968	105	143	04.08-12.15	■
2.0 TDI (CJCA)	PR 1LT, PR 1LY, discØ 314	Diesel	FWD	1968	105	143	04.08-12.15	■
2.0 TDI (CMEA)	PR 1LT, PR 1LY, discØ 314	Diesel	FWD	1968	105	143	04.08-12.15	■
2.0 TDI (CMFA)	PR 1LT, PR 1LY, discØ 314	Diesel	FWD	1968	105	143	04.08-12.15	■
2.0 TDI quattro (CAGA)	PR 1LT, PR 1LY, discØ 314	Diesel	4WD	1968	105	143	04.08-12.15	■
2.0 TDI quattro (CJCA)	PR 1LT, PR 1LY, discØ 314	Diesel	4WD	1968	105	143	04.08-12.15	■
2.0 TDI (CJCD)	PR 1LT, PR 1LY	Diesel	FWD	1968	110	150	05.13-12.15	■
2.0 TDI (CMFB)	PR 1LT, PR 1LY	Diesel	FWD	1968	110	150	05.13-12.15	■
2.0 TDI (CSUA)	PR 1LT, PR 1LY	Diesel	FWD	1968	110	150	05.13-12.15	■
2.0 TDI quattro (CJCD)	PR 1LT, PR 1LY	Diesel	4WD	1968	110	150	05.13-12.15	■
2.0 TDI quattro (CSUA)	PR 1LT, PR 1LY	Diesel	4WD	1968	110	150	05.13-12.15	■
2.0 TDI (CAHB)	PR 1LT, PR 1LY, discØ 314	Diesel	FWD	1968	120	163	08.08-12.15	■
2.0 TDI (CGLD)	PR 1LT, PR 1LY, discØ 314	Diesel	FWD	1968	120	163	08.08-12.15	■
2.0 TDI (CNHC)	PR 1LT, PR 1LY, discØ 314	Diesel	FWD	1968	120	163	08.08-12.15	■
2.0 TDI (CAHA)	PR 1LT, PR 1LY, discØ 314	Diesel	FWD	1968	125	170	04.08-03.12	■
2.0 TDI quattro (CAHA)	PR 1LT, PR 1LY, discØ 314	Diesel	4WD	1968	125	170	08.08-03.12	■
2.0 TDI (CGLC)	PR 1LT, PR 1LY, discØ 314	Diesel	FWD	1968	130	177	11.11-12.15	■
2.0 TDI quattro (CGLC)	PR 1LT, PR 1LY, discØ 314	Diesel	4WD	1968	130	177	11.11-12.15	■
2.0 TDI (CNHA)	PR 1LT, PR 1LY	Diesel	FWD	1968	140	190	09.13-12.15	■
2.0 TDI quattro (CNHA)	PR 1LT, PR 1LY	Diesel	4WD	1968	140	190	09.13-12.15	■
2.7 TDI (CAMB)	PR 1LT, PR 1LY, discØ 314	Diesel	FWD	2698	120	163	04.08-03.12	■
2.7 TDI (CGKB)	PR 1LT, PR 1LY, discØ 314	Diesel	FWD	2698	120	163	04.08-03.12	■
2.7 TDI (CAMA)	PR 1LT, PR 1LY, discØ 314	Diesel	FWD	2698	140	190	04.08-03.12	■
2.7 TDI (CGKA)	PR 1LT, PR 1LY, discØ 314	Diesel	FWD	2698	140	190	04.08-03.12	■
3.0 TDI (CLAB)	PR 1LT, PR 1LY, discØ 314	Diesel	FWD	2967	150	204	11.11-12.15	■
3.0 TDI quattro (CCWB)		Diesel	4WD	2967	155	211	06.08-05.10	■
3.0 TDI		Diesel	RWD	2967	171	233	04.09-	■
3.0 TDI quattro (CAPA)	PR 1LT, PR 1LY, discØ 314	Diesel	4WD	2967	176	240	04.08-03.12	■
3.0 TDI quattro (CCLA)	PR 1LT, PR 1LY, discØ 314	Diesel	4WD	2967	176	240	04.08-03.12	■
3.0 TDI quattro (CCWA)	PR 1LT, PR 1LY, discØ 314	Diesel	4WD	2967	176	240	04.08-03.12	■
3.0 TDI quattro (CDUC)	PR 1LT, PR 1LY, discØ 314	Diesel	4WD	2967	180	245	11.11-12.15	■
3.0 TDI quattro (CKVB)	PR 1LT, PR 1LY, discØ 314	Diesel	4WD	2967	180	245	11.11-12.15	■
3.0 TDI quattro (CKVC)	PR 1LT, PR 1LY, discØ 314	Diesel	4WD	2967	180	245	11.11-12.15	■
A4 V Allroad B9 (8WH, 8WJ) 01.16-					Estate (Compact executive car-D Segment)			
2.0 TFSI quattro (CYRC)	PR 1LT, discØ 314	Gasolina	4WD	1984	183	249	05.16-10.19	■
2.0 TFSI quattro (CYMC)	PR 1LT, discØ 314	Gasolina	4WD	1984	185	252	01.16-	■
2.0 TFSI quattro (CYRB)	PR 1LT, discØ 314	Gasolina	4WD	1984	185	252	01.16-	■
2.0 TDI quattro (DEUB)	PR 1LT, discØ 314	Diesel	4WD	1968	100	136	11.16-07.18	■
2.0 TDI quattro (DEUA)	PR 1LT, discØ 314	Diesel	4WD	1968	110	150	11.16-10.19	■
2.0 TDI quattro (DETB)	PR 1LT, discØ 314	Diesel	4WD	1968	120	163	05.16-10.19	■
2.0 TDI quattro (DESA)	PR 1LT, discØ 314	Diesel	4WD	1968	140	190	01.16-12.19	■
2.0 TDI quattro (DETA)	PR 1LT, discØ 314	Diesel	4WD	1968	140	190	01.16-12.19	■

LISTA DE APLICACIONES - BUYERS GUIDE

2.0 TDI quattro (DFVA)	PR 1LT, discØ 314	Diesel	4WD	1968	140	190	01.16-12.19	■	
3.0 TDI quattro (CSWB)	PR 1LT, discØ 314	Diesel	4WD	2967	160	218	01.16-08.18	■	
3.0 TDI quattro (CRTC)	PR 1LT, discØ 314	Diesel	4WD	2967	200	272	01.16-08.18	■	
A5 (8F7) 02.09-10.17					Convertible (Compact executive car-D Segment)				
1.8 TFSI (CDHB)	PR 1LT, discØ 314	Gasolina	FWD	1798	118	160	09.09-03.12	■	
1.8 TFSI (CJEB)	PR 1LT, discØ 314	Gasolina	FWD	1798	125	170	09.11-03.16	■	
1.8 TFSI (CJEE)	PR 1LT, discØ 314	Gasolina	FWD	1798	130	177	05.15-01.17	■	
2.0 TFSI (CAEA)	PR 1LT, discØ 314	Gasolina	FWD	1984	132	180	03.09-03.12	■	
2.0 TFSI (CDNB)	PR 1LT, discØ 314	Gasolina	FWD	1984	132	180	03.09-03.12	■	
2.0 TFSI (CAEB)	PR 1LT, discØ 314	Gasolina	FWD	1984	155	211	03.09-06.14	■	
2.0 TFSI (CDNC)	PR 1LT, discØ 314	Gasolina	FWD	1984	155	211	03.09-06.14	■	
2.0 TFSI quattro (CAEB)	PR 1LT, discØ 314	Gasolina	4WD	1984	155	211	03.09-01.17	■	
2.0 TFSI quattro (CDNC)	PR 1LT, discØ 314	Gasolina	4WD	1984	155	211	03.09-01.17	■	
2.0 TFSI quattro (CPMA)	PR 1LT, discØ 314	Gasolina	4WD	1984	155	211	03.09-01.17	■	
2.0 TFSI (CAED)		Gasolina	FWD	1984	162	220	05.13-12.14	■	
2.0 TFSI (CNCD)	PR 1LT	Gasolina	FWD	1984	165	224	05.13-05.16	■	
2.0 TFSI quattro (CNCD)	PR 1LT	Gasolina	4WD	1984	165	224	05.13-05.16	■	
2.0 TFSI (CNCE)		Gasolina	FWD	1984	169	230	08.15-01.17	■	
2.0 TFSI quattro (CNCE)		Gasolina	4WD	1984	169	230	08.15-01.17	■	
3.0 TFSI quattro (CMUA)	PR 1LT, discØ 314	Gasolina	4WD	2995	200	272	11.11-01.17	■	
3.0 TFSI quattro (CRED)	PR 1LT, discØ 314	Gasolina	4WD	2995	200	272	11.11-01.17	■	
3.2 FSI (CALA)	PR 1LT, discØ 314	Gasolina	FWD	3197	195	265	03.09-03.12	■	
3.2 FSI quattro (CALA)	PR 1LT, discØ 314	Gasolina	4WD	3197	195	265	03.09-03.12	■	
2.0 TDI (CJCA)	PR 1LT, discØ 314	Diesel	FWD	1968	105	143	10.11-05.15	■	
2.0 TDI (CJCD)	PR 1LT	Diesel	FWD	1968	110	150	05.13-01.17	■	
2.0 TDI (CSUA)	PR 1LT	Diesel	FWD	1968	110	150	05.13-01.17	■	
2.0 TDI (CAHB)		Diesel	FWD	1968	120	163	05.09-06.14	■	
2.0 TDI (CGLD)		Diesel	FWD	1968	120	163	05.09-06.14	■	
2.0 TDI (CAHA)	PR 1LT, discØ 314	Diesel	FWD	1968	125	170	05.09-03.12	■	
2.0 TDI (CGLC)	PR 1LT, discØ 314	Diesel	FWD	1968	130	177	10.11-01.17	■	
2.0 TDI quattro (CGLC)	PR 1LT, discØ 314	Diesel	4WD	1968	130	177	01.12-05.15	■	
2.0 TDI (CNHA)	PR 1LT, PR 1LY	Diesel	FWD	1968	140	190	09.13-01.17	■	
2.0 TDI quattro (CNHA)	PR 1LT, PR 1LY	Diesel	4WD	1968	140	190	09.13-01.17	■	
2.7 TDI (CGKB)		Diesel	FWD	2698	120	163	05.09-03.12	■	
2.7 TDI (CGKA)	PR 1LT, discØ 314	Diesel	FWD	2698	140	190	03.09-03.12	■	
3.0 TDI (CLAB)	PR 1LT, discØ 314	Diesel	FWD	2967	150	204	10.11-01.17	■	
3.0 TDI quattro (CKVD)		Diesel	4WD	2967	160	218	05.15-01.17	■	
3.0 TDI quattro (CCWA)	PR 1LT, discØ 314	Diesel	4WD	2967	176	240	03.09-03.12	■	
3.0 TDI quattro (CDUC)	PR 1LT, discØ 314	Diesel	4WD	2967	180	245	10.11-01.17	■	
3.0 TDI quattro (CKVC)	PR 1LT, discØ 314	Diesel	4WD	2967	180	245	10.11-01.17	■	
A5 (8T3) 06.07-10.17					Coupe (Compact executive car-D Segment)				
1.8 TFSI (CDHB)	PR 1LT, discØ 314	Gasolina	FWD	1798	118	160	05.09-09.11	■	
1.8 TFSI (CABD)	PR 1LT, discØ 314	Gasolina	FWD	1798	125	170	10.07-01.17	■	
1.8 TFSI (CJEB)	PR 1LT, discØ 314	Gasolina	FWD	1798	125	170	10.07-01.17	■	
1.8 TFSI (CJEE)		Gasolina	FWD	1798	130	177	05.15-01.17	■	
2.0 TFSI (CDNB)	PR 1LT, discØ 314	Gasolina	FWD	1984	132	180	11.08-03.12	■	
2.0 TFSI (CDNC)	PR 1LT, discØ 314	Gasolina	FWD	1984	155	211	06.08-11.13	■	
2.0 TFSI quattro (CAEB)	PR 1LT, discØ 314	Gasolina	4WD	1984	155	211	06.08-01.17	■	
2.0 TFSI quattro (CDNC)	PR 1LT, discØ 314	Gasolina	4WD	1984	155	211	06.08-01.17	■	
2.0 TFSI quattro (CPMA)	PR 1LT, discØ 314	Gasolina	4WD	1984	155	211	06.08-01.17	■	

LISTA DE APLICACIONES - BUYERS GUIDE

2.0 TFSI quattro (CAED)		Gasolina	4WD	1984	162	220	03.12-01.17	■
2.0 TFSI quattro (CPMB)		Gasolina	4WD	1984	162	220	03.12-01.17	■
2.0 TFSI (CNCD)	PR 1LT	Gasolina	FWD	1984	165	224	05.13-05.16	■
2.0 TFSI quattro (CNCD)	PR 1LT	Gasolina	4WD	1984	165	224	05.13-05.16	■
2.0 TFSI (CNCE)	PR 1LT	Gasolina	FWD	1984	169	230	08.15-01.17	■
2.0 TFSI quattro (CNCE)	PR 1LT	Gasolina	4WD	1984	169	230	08.15-01.17	■
3.0 TFSI quattro (CHMB)	PR 1LT, discØ 314	Gasolina	4WD	2995	200	272	12.11-01.17	■
3.0 TFSI quattro (CMUA)	PR 1LT, discØ 314	Gasolina	4WD	2995	200	272	12.11-01.17	■
3.0 TFSI quattro (CRED)	PR 1LT, discØ 314	Gasolina	4WD	2995	200	272	12.11-01.17	■
3.2 FSI (CALA)	PR 1LT, discØ 314	Gasolina	FWD	3197	195	265	06.07-03.12	■
3.2 FSI quattro (CALA)	PR 1LT, discØ 314	Gasolina	4WD	3197	195	265	06.07-03.12	■
2.0 TDI (CAHB)		Diesel	FWD	1968	120	163	08.08-01.17	■
2.0 TDI (CGLD)		Diesel	FWD	1968	120	163	08.08-01.17	■
2.0 TDI (CNHC)		Diesel	FWD	1968	120	163	08.08-01.17	■
2.0 TDI (CAHA)	PR 1LT, discØ 314	Diesel	FWD	1968	125	170	08.08-03.12	■
2.0 TDI quattro (CAHA)	PR 1LT, discØ 314	Diesel	4WD	1968	125	170	08.08-03.12	■
2.0 TDI (CGLC)	PR 1LT, discØ 314	Diesel	FWD	1968	130	177	10.11-01.17	■
2.0 TDI quattro (CGLC)	PR 1LT, discØ 314	Diesel	4WD	1968	130	177	12.11-01.17	■
2.0 TDI (CNHA)	PR 1LT, PR 1LY	Diesel	FWD	1968	140	190	09.13-01.17	■
2.0 TDI quattro (CNHA)	PR 1LT, PR 1LY	Diesel	4WD	1968	140	190	09.13-01.17	■
2.7 TDI (CAMB)	01/08-, PR 1LT, discØ 314	Diesel	FWD	2698	120	163	09.07-03.12	■
2.7 TDI (CGKB)	01/08-, PR 1LT, discØ 314	Diesel	FWD	2698	120	163	09.07-03.12	■
2.7 TDI (CAMA)	PR 1LT, discØ 314	Diesel	FWD	2698	140	190	06.07-03.12	■
2.7 TDI (CGKA)	PR 1LT, discØ 314	Diesel	FWD	2698	140	190	06.07-03.12	■
3.0 TDI (CLAB)	PR 1LT, discØ 314	Diesel	FWD	2967	150	204	10.11-01.17	■
3.0 TDI quattro (CCWB)	PR 1LT, discØ 314	Diesel	4WD	2967	155	211	03.08-05.10	■
3.0 TDI quattro (CKVD)		Diesel	4WD	2967	160	218	05.15-01.17	■
3.0 TDI quattro (CAPA)	PR 1LT, discØ 314	Diesel	4WD	2967	176	240	06.07-03.12	■
3.0 TDI quattro (CCWA)	PR 1LT, discØ 314	Diesel	4WD	2967	176	240	06.07-03.12	■
3.0 TDI quattro (CDUC)	PR 1LT, discØ 314	Diesel	4WD	2967	180	245	10.11-01.17	■
3.0 TDI quattro (CKVB)	PR 1LT, discØ 314	Diesel	4WD	2967	180	245	10.11-01.17	■
3.0 TDI quattro (CKVC)	PR 1LT, discØ 314	Diesel	4WD	2967	180	245	10.11-01.17	■
							Convertible (Compact executive car-D Segment)	
A5 II (F57, F5E) 11.16-								
2.0 TFSI quattro (CYMC)	PR 1LT, discØ 314	Gasolina	4WD	1984	185	252	11.16-	■
2.0 TFSI quattro (CYRB)	PR 1LT, discØ 314	Gasolina	4WD	1984	185	252	11.16-	■
S5 TFSI quattro (CWGD)	PR 1LT, discØ 314	Gasolina	4WD	2995	260	354	03.17-	■
2.0 TDI (DETA)	PR 1LT, discØ 314	Diesel	FWD	1968	140	190	11.16-12.19	■
3.0 TDI quattro (CSWB)	PR 1LT, discØ 314	Diesel	4WD	2967	160	218	12.16-08.18	■
							Coupe (Compact executive car-D Segment)	
A5 II (F53, F5P) 06.16-								
2.0 TFSI (CVKB)	PR 1LT, discØ 314	Gasolina	FWD	1984	140	190	09.16-02.20	■
2.0 TFSI (DKYA)	PR 1LT, discØ 314	Gasolina	FWD	1984	140	190	09.16-02.20	■
2.0 TFSI quattro (CYRC)	PR 1LT, discØ 314	Gasolina	4WD	1984	183	249	06.16-02.20	■
2.0 TFSI (CYRB)	PR 1LT, discØ 314	Gasolina	FWD	1984	185	252	11.16-02.20	■
2.0 TFSI quattro (CYMC)	PR 1LT, discØ 314	Gasolina	4WD	1984	185	252	06.16-	■
2.0 TFSI quattro (CYRB)	PR 1LT, discØ 314	Gasolina	4WD	1984	185	252	06.16-	■
S5 TFSI quattro (CWGD)	PR 1LT, discØ 314	Gasolina	4WD	2995	260	354	07.16-	■
2.0 TDI (DESA)	PR 1LT, discØ 314	Diesel	FWD	1968	140	190	07.16-02.20	■
2.0 TDI (DETA)	PR 1LT, discØ 314	Diesel	FWD	1968	140	190	07.16-02.20	■
2.0 TDI quattro (DESA)	PR 1LT, discØ 314	Diesel	4WD	1968	140	190	10.16-12.19	■
2.0 TDI quattro (DETA)	PR 1LT, discØ 314	Diesel	4WD	1968	140	190	10.16-12.19	■

LISTA DE APLICACIONES - BUYERS GUIDE

3.0 TDI (CSWB)	PR 1LT, discØ 314	Diesel	FWD	2967	160	218	11.16-08.18	■	
3.0 TDI quattro (CSWB)	PR 1LT, discØ 314	Diesel	4WD	2967	160	218	07.16-08.18	■	
A5 II Sportback (F5A, F5F) 06.16-					Hatchback (Compact executive car-D Segment)				
2.0 TFSI quattro (CYRC)	PR 1LT, discØ 314	Gasolina	4WD	1984	183	249	09.16-02.20	■	
2.0 TFSI (CYRB)	PR 1LT, discØ 314	Gasolina	FWD	1984	185	252	11.16-02.20	■	
2.0 TFSI quattro (CYMC)	PR 1LT, discØ 314	Gasolina	4WD	1984	185	252	09.16-	■	
2.0 TFSI quattro (CYRB)	PR 1LT, discØ 314	Gasolina	4WD	1984	185	252	09.16-	■	
S5 TFSI quattro (CWGD)	PR 1LT, discØ 314	Gasolina	4WD	2995	260	354	09.16-	■	
2.0 TDI (DESA)	PR 1LT, discØ 314	Diesel	FWD	1968	140	190	09.16-04.20	■	
2.0 TDI (DETA)	PR 1LT, discØ 314	Diesel	FWD	1968	140	190	09.16-04.20	■	
2.0 TDI quattro (DESA)	PR 1LT, discØ 314	Diesel	4WD	1968	140	190	10.16-02.20	■	
2.0 TDI quattro (DETA)	PR 1LT, discØ 314	Diesel	4WD	1968	140	190	10.16-02.20	■	
3.0 TDI quattro (CSWB)	PR 1LT, discØ 314	Diesel	4WD	2967	160	218	09.16-08.18	■	
A5 Sportback (8TA) 07.07-10.17					Hatchback (Compact executive car-D Segment)				
1.8 TFSI (CJED)		Gasolina	FWD	1798	106	144	09.14-01.17	■	
1.8 TFSI (CDHB)	PR 1LT, discØ 314	Gasolina	FWD	1798	118	160	11.09-09.11	■	
1.8 TFSI (CJEB)	PR 1LT, discØ 314	Gasolina	FWD	1798	125	170	08.11-01.17	■	
1.8 TFSI (CJEE)		Gasolina	FWD	1798	130	177	05.15-01.17	■	
2.0 TFSI (CDNB)	PR 1LT, discØ 314	Gasolina	FWD	1984	132	180	09.09-06.14	■	
2.0 TFSI (CDNC)	PR 1LT, discØ 314	Gasolina	FWD	1984	155	211	09.09-11.13	■	
2.0 TFSI quattro (CDNC)	PR 1LT, discØ 314	Gasolina	4WD	1984	155	211	09.09-01.17	■	
2.0 TFSI (CNCD)	PR 1LT	Gasolina	FWD	1984	165	224	05.13-05.16	■	
2.0 TFSI quattro (CNCD)	PR 1LT	Gasolina	4WD	1984	165	224	05.13-05.16	■	
2.0 TFSI (CNCE)		Gasolina	FWD	1984	169	230	08.15-01.17	■	
2.0 TFSI quattro (CNCE)		Gasolina	4WD	1984	169	230	08.15-01.17	■	
3.0 TFSI quattro (CHMB)	PR 1LT, discØ 314	Gasolina	4WD	2995	200	272	12.11-01.17	■	
3.0 TFSI quattro (CMUA)	PR 1LT, discØ 314	Gasolina	4WD	2995	200	272	12.11-01.17	■	
3.0 TFSI quattro (CRED)	PR 1LT, discØ 314	Gasolina	4WD	2995	200	272	12.11-01.17	■	
3.2 FSI quattro (CALA)	PR 1LT, discØ 314	Gasolina	4WD	3197	195	265	09.09-03.12	■	
2.0 TDI (CAGB)		Diesel	FWD	1968	100	136	09.09-01.17	■	
2.0 TDI (CJCB)		Diesel	FWD	1968	100	136	09.09-01.17	■	
2.0 TDI (CSUB)		Diesel	FWD	1968	100	136	09.09-01.17	■	
2.0 TDI (CAGA)	PR 1LT, discØ 314	Diesel	FWD	1968	105	143	09.09-01.17	■	
2.0 TDI (CJCA)	PR 1LT, discØ 314	Diesel	FWD	1968	105	143	09.09-01.17	■	
2.0 TDI (CMEA)	PR 1LT, discØ 314	Diesel	FWD	1968	105	143	09.09-01.17	■	
2.0 TDI (CMFA)	PR 1LT, discØ 314	Diesel	FWD	1968	105	143	09.09-01.17	■	
2.0 TDI (CJCD)	PR 1LT	Diesel	FWD	1968	110	150	05.13-01.17	■	
2.0 TDI (CMFB)	PR 1LT	Diesel	FWD	1968	110	150	05.13-01.17	■	
2.0 TDI (CSUA)	PR 1LT	Diesel	FWD	1968	110	150	05.13-01.17	■	
2.0 TDI (CAHB)		Diesel	FWD	1968	120	163	09.09-01.17	■	
2.0 TDI (CGLD)		Diesel	FWD	1968	120	163	09.09-01.17	■	
2.0 TDI (CNHC)		Diesel	FWD	1968	120	163	09.09-01.17	■	
2.0 TDI (CAHA)	PR 1LT, discØ 314	Diesel	FWD	1968	125	170	09.09-03.12	■	
2.0 TDI quattro (CAHA)	PR 1LT, discØ 314	Diesel	4WD	1968	125	170	09.09-03.12	■	
2.0 TDI (CGLC)	PR 1LT, discØ 314	Diesel	FWD	1968	130	177	10.11-01.17	■	
2.0 TDI quattro (CGLC)	PR 1LT, discØ 314	Diesel	4WD	1968	130	177	12.11-01.17	■	
2.0 TDI (CNHA)	PR 1LT, PR 1LY	Diesel	FWD	1968	140	190	09.13-01.17	■	
2.0 TDI quattro (CNHA)	PR 1LT, PR 1LY	Diesel	4WD	1968	140	190	09.13-01.17	■	
2.7 TDI (CGKB)		Diesel	FWD	2698	120	163	09.09-03.12	■	
2.7 TDI (CAMA)	PR 1LT, discØ 314	Diesel	FWD	2698	140	190	09.09-03.12	■	

LISTA DE APLICACIONES - BUYERS GUIDE

2.7 TDI (CGKA)	PR 1LT, discØ 314	Diesel	FWD	2698	140	190	09.09-03.12	■	
3.0 TDI (CLAB)	PR 1LT, discØ 314	Diesel	FWD	2967	150	204	10.11-01.17	■	
3.0 TDI quattro (CKVD)		Diesel	4WD	2967	160	218	05.15-01.17	■	
3.0 TDI quattro (CCWA)	PR 1LT, discØ 314	Diesel	4WD	2967	176	240	09.09-03.12	■	
3.0 TDI quattro (CDUC)	PR 1LT, discØ 314	Diesel	4WD	2967	180	245	10.11-01.17	■	
3.0 TDI quattro (CKVB)	PR 1LT, discØ 314	Diesel	4WD	2967	180	245	10.11-01.17	■	
3.0 TDI quattro (CKVC)	PR 1LT, discØ 314	Diesel	4WD	2967	180	245	10.11-01.17	■	
Q5 (8RB) 11.08-12.17					SUV Van (Luxury Crossover SUV-J Segment)				
2.0 TDI	PR 1LJ	Diesel	FWD	1968	110	150	06.12-05.17	■	
2.0 TDI quattro	PR 1LJ	Diesel	4WD	1968	130	177	07.12-06.14	■	
3.0 TDI quattro	PR 1LJ	Diesel	4WD	2967	180	245	06.12-05.17	■	
3.0 SQ5 TDI quattro	PR 1LJ	Diesel	4WD	2967	230	313	12.12-05.15	■	
Q5 (8RB) 11.08-					SUV (Luxury Crossover SUV-J Segment)				
2.0 TFSI quattro	PR 1LJ	Gasolina	4WD	1984	130	177	09.09-10.09	■	
2.0 TFSI quattro (CPMB)	PR 1LJ	Gasolina	4WD	1984	162	220	05.13-05.17	■	
2.0 TFSI quattro (CNCD)	PR 1LJ	Gasolina	4WD	1984	165	224	06.12-05.16	■	
3.0 TFSI quattro (CTUC)	PR 1LJ	Gasolina	4WD	2995	200	272	06.12-05.17	■	
3.0 TFSI quattro (CTVA)	PR 1LJ	Gasolina	4WD	2995	200	272	06.12-05.17	■	
2.0 TFSI Hybrid quattro (CHJA)	PR 1LJ	Gasol./el éc.	4WD	1984	180	245	09.12-05.16	■	
2.0 TDI (CJCD)	PR 1LJ	Diesel	FWD	1968	110	150	05.13-05.17	■	
2.0 TDI (CSUA)	PR 1LJ	Diesel	FWD	1968	110	150	05.13-05.17	■	
2.0 TDI quattro (CJCD)	PR 1LJ	Diesel	4WD	1968	110	150	05.13-05.17	■	
2.0 TDI quattro (CSUA)	PR 1LJ	Diesel	4WD	1968	110	150	05.13-05.17	■	
2.0 TDI quattro (CGLC)	PR 1LJ	Diesel	4WD	1968	130	177	06.12-05.17	■	
2.0 TDI quattro (CMGB)	PR 1LJ	Diesel	4WD	1968	130	177	06.12-05.17	■	
3.0 TDI quattro (CDUD)	PR 1LJ	Diesel	4WD	2967	180	245	06.12-05.17	■	
SQ5 TDI quattro (CGQB)	PR 1LJ	Diesel	4WD	2967	230	313	12.12-11.15	■	
SQ5 TDI quattro (CVUC)	PR 1LJ	Diesel	4WD	2967	230	313	12.12-11.15	■	