

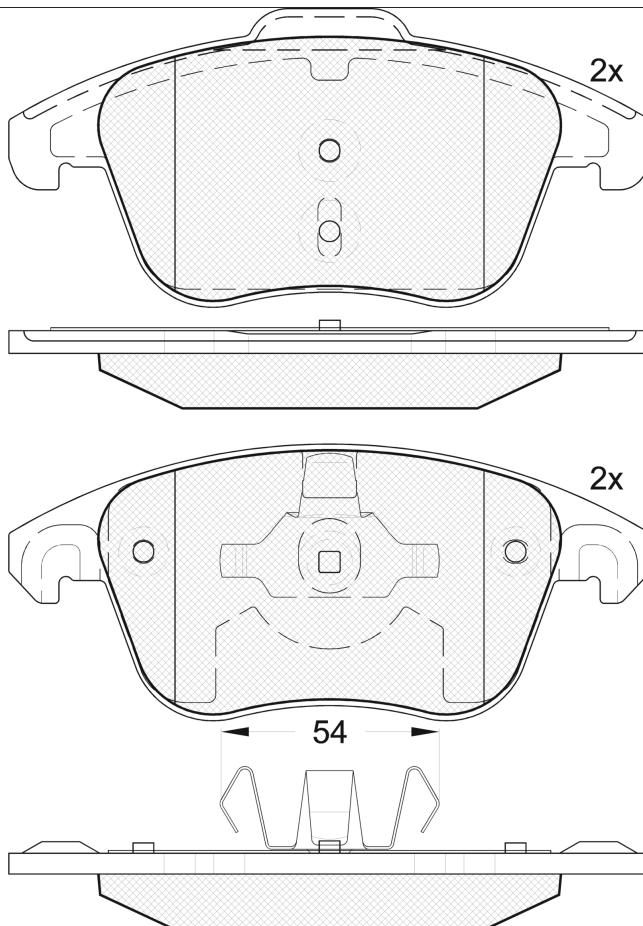
# LISTA DE APLICACIONES - BUYERS GUIDE

## 181866-200



Qty: 300

Weight: 2.025



## 181866-200

**E 9** 90R-02A0111/3829



Ate - Teves

155.2x66.97x18.9

155.2x72.27x18.9

**WVA**

24557

24558

26145

**MAKE**

CITROËN

DS

OPEL

PEUGEOT

PEUGEOT (DF-PSA)

VAUXHALL



Trac.	CC	Kw	CV
-------	----	----	----



Front / Rear

### CITROËN

						<b>Coupe (Compact car-C Segment)</b>					
<b>C4 (LA_) 11.04-12.13</b>											
2.0 16V (RFK (EW10J4S))		Gasolina	FWD	1997	130	177	11.04-12.10		■		
2.0 HDi (RHR (DW10BTED4))		Diesel	FWD	1997	100	136	11.04-12.10		■		
2.0 HDi (RHF (DW10BTED4))		Diesel	FWD	1997	103	140	07.08-07.11		■		
<b>C4 (LR_) 02.05-12.10</b>						<b>Hatchback Van (Compact car-C Segment)</b>					
2.0 HDi (RHR (DW10BTED4))		Diesel	FWD	1997	100	136	02.05-12.10		■		
<b>C4 (LC_) 11.04-12.14</b>						<b>Hatchback (Compact car-C Segment)</b>					
2.0 16V (RFK (EW10J4S))		Gasolina	FWD	1997	130	177	11.04-07.08		■		
2.0 HDi (RHR (DW10BTED4))		Diesel	FWD	1997	100	136	11.04-07.11		■		
2.0 HDi (RHF (DW10BTED4))		Diesel	FWD	1997	103	140	07.08-07.11		■		
<b>C4 II (NC_) 02.09-</b>						<b>Hatchback (Compact car-C Segment)</b>					
1.6 Flex		Gasolina	FWD	1587	81	110	11.09-		■		
1.6 Flex		Gasolina	FWD	1587	83	113	11.09-		■		
1.6 VTi 120 (NC5FS0, NC5FS9) (5FS (EP6C))		Gasolina	FWD	1598	88	120	11.09-12.16		■		
1.6 THP 155 (5FV (EP6CDT))		Gasolina	FWD	1598	115	156	11.09-12.16		■		
1.6 VTi 120 LPG (NC5FS0) (5FS (EP6C))		Gasol./Gas (LPG)	FWD	1598	88	120	09.11-		■		
1.6 HDi 110 (9HR (DV6C))		Diesel	FWD	1560	82	112	11.09-		■		
2.0 HDi / BlueHDi 150 (AHR (DW10FD))		Diesel	FWD	1997	110	150	11.09-		■		
2.0 HDi / BlueHDi 150 (RHE (DW10CTED4))		Diesel	FWD	1997	110	150	11.09-		■		
<b>C4 III (BA_, BB_, BC_) 10.20-</b>						<b>Hatchback (Compact car-C Segment)</b>					
1.2 PureTech 100 (BAHNEA, BAHNKA)		Gasolina	FWD	1199	74	101	04.21-		■		

# LISTA DE APLICACIONES - BUYERS GUIDE

1.2 PureTech 130 (BAHNSA, BAHNSB)	discØ 302	Gasolina	FWD	1199	96	131	10.20-	■	
1.2 PureTech 155 (BAHNNB, BAHNJD)	-05/21, -Org. 16260	Gasolina	FWD	1199	114	155	01.21-	■	
ë-C4 (BCZKXC, BZCKSC)	discØ 302, -05/21, -Org. 16260	Eléctrico	FWD		100	136	10.20-	■	
BLUEHDI 110 (BBYHSA)	-05/21, discØ 302, -Org. 16260	Diesel	FWD	1499	81	110	12.20-	■	
1.5 BlueHDI 130 (BBYHQB)	discØ 302	Diesel	FWD	1499	96	131	10.20-	■	
<b>DS4 (NX_) 03.11-07.15</b>							<b>Hatchback (Compact car-C Segment)</b>		
2.0 HDi / BlueHDI 135 (AHS (DW10FD))	Eq.V_ No Llanta 19"	Diesel	FWD	1997	100	136	09.11-07.15	■	
2.0 HDi / BlueHDI 135 (AHV (DW10FD))	Eq.V_ No Llanta 19"	Diesel	FWD	1997	100	136	09.11-07.15	■	
2.0 HDi / BlueHDI 135 (RHD (DW10CB))	Eq.V_ No Llanta 19"	Diesel	FWD	1997	100	136	09.11-07.15	■	
2.0 HDi / BlueHDI 135 (RHD (DW10CTED4))	Eq.V_ No Llanta 19"	Diesel	FWD	1997	100	136	09.11-07.15	■	
<b>DS5 09.11-12.16</b>							<b>Hatchback (Compact executive car-D Segment)</b>		
2.0 HDi 135 Hybrid4	discØ 302	Gasol./el éc.	4WD	1997	100	136	12.11-	■	
<b>DS</b>									
<b>DS 3 CROSSBACK (UR_, UC_, UJ_) 10.18-</b>							<b>Hatchback (City car-A Segment)</b>		
1.2 PureTech 100 (URHNKK, URHNEK) (HNK (EB2ADTD))		Gasolina	FWD	1199	74	101	10.18-	■	
1.2 PureTech 130 (URHNSS) (HNS (EB2ADTS))	discØ 302	Gasolina	FWD	1199	96	131	10.18-	■	
1.2 PureTech 155 (URHNNS) (HNN (EB2ADTX))	discØ 302	Gasolina	FWD	1199	115	156	10.18-12.22	■	
E-TENSE (UZZKXZ) (ZKX)	discØ 302	Eléctrico	FWD		100	136	05.19-12.22	■	
1.5 BlueHDI 100 (UCYHYJ) (YHY (DV5RD))	discØ 302	Diesel	FWD	1499	75	102	10.18-12.22	■	
1.5 BlueHDI 110 (UCYHSK)	discØ 302	Diesel	FWD	1499	81	110	01.21-12.22	■	
1.5 BlueHDI 130 (UCYHZR) (YHZ (DV5RC))	discØ 302	Diesel	FWD	1499	96	130	10.18-	■	
<b>DS 4 / DS 4 CROSSBACK (NX_) 07.15-</b>							<b>Hatchback (Compact car-C Segment)</b>		
1.6 THP160 (5FM (EP6CDTM))		Gasolina	FWD	1598	120	163	07.15-12.18	■	
1.6 THP 165 (5GZ (EP6FDT))		Gasolina	FWD	1598	121	165	07.15-12.18	■	
2.0 BlueHDI 180 (AHW (DW10FC))		Diesel	FWD	1997	133	180	07.15-12.18	■	
<b>OPEL</b>									
<b>MOKKA II 06.20-</b>							<b>SUV (Mini SUV-J Segment)</b>		
MOKKA-e (76)		Eléctrico	FWD		100	136	06.20-	■	
<b>PEUGEOT</b>									
<b>2008 II (UD_, US_, UY_, UJ_, UR_, UC_) 08.19-</b>							<b>SUV (Compact SUV-J Segment)</b>		
1.2 PureTech 100 (USHNK) (HNK (EB2ADTD))	discØ 302	Gasolina	FWD	1199	74	101	11.19-	■	
1.2 PureTech 130 (USHNS, URHNS) (HNS (EB2ADTS))		Gasolina	FWD	1199	96	131	08.19-	■	
1.2 THP / PureTech 155 (USHNNS, URHNNS, UXHNJP, URHNJP,... (HNJ (EB2ADTXM))		Gasolina	FWD	1199	114	155	11.19-	■	
1.2 THP / PureTech 155 (USHNNS, URHNNS, UXHNJP, URHNJP,... (HNN (EB2ADTX))		Gasolina	FWD	1199	114	155	11.19-	■	
1.2 THP / PureTech 155 (USHNNS, URHNNS, UXHNJP, URHNJP,... (HNR (EB2ADTXM))		Gasolina	FWD	1199	114	155	11.19-	■	
1.2 Hybrid 136 (URHPYC, USHPY)		Gasol./el éc.	FWD	1199	100	136	11.23-	■	
e-2008 (UKZKXZ) (ZKX (ZK01))	discØ 302	Eléctrico	FWD		100	136	09.19-	■	
e-2008 (UKZKWZ)		Eléctrico	FWD		115	156	04.23-	■	
1.5 BlueHDI 100 (YHY (DV5RD))		Diesel	FWD	1499	75	102	08.19-	■	
1.5 BlueHDI 110 (UDYHSK)	discØ 302, -Org. 14246	Diesel	FWD	1499	81	110	01.21-	■	
1.5 BlueHDI 130 (YHZ (DV5RC))		Diesel	FWD	1499	96	131	08.19-	■	
<b>207 (WA_, WC_) 02.06-</b>							<b>Hatchback (Supermini car-B Segment)</b>		
1.6 16V RC (5FY (EP6DTS))	01/09-	Gasolina	FWD	1598	128	174	02.07-12.12	■	

# LISTA DE APLICACIONES - BUYERS GUIDE

<b>207 SW (WK_) 02.07-</b>						<b>Estate (Supermini car-B Segment)</b>			
1.6 16V RC (5FY (EP6DTS))	01/09-	Gasolina	FWD	1598	128	174	02.07-12.12	■	
<b>208 (CA_, CC_) 03.12-</b>						<b>Hatchback (Supermini car-B Segment)</b>			
1.6 VTI (5FS (EP6C))		Gasolina	FWD	1598	88	120	03.12-12.19	■	
1.6 THP (5FV (EP6CDT))		Gasolina	FWD	1598	115	156	03.12-12.19	■	
1.6 GTi (CA5FU8) (5FU (EP6CDTX))		Gasolina	FWD	1598	147	200	08.12-12.19	■	
1.6 GTi (5GR (EP6FDTX))		Gasolina	FWD	1598	153	208	10.14-12.19	■	
<b>208 II (UB_, UP_, UW_, UJ_) 06.19-</b>						<b>Hatchback (Supermini car-B Segment)</b>			
1.2 PureTech 75 (HMH (EB2FAD))	discØ 302, -Org. 14246	Gasolina	FWD	1199	55	75	06.19-	■	
1.2 VTI 82	discØ 302, -Org. 14246	Gasolina	FWD	1199	60	82	06.19-	■	
1.2 PureTech 100 (HMK (EB2ADT))	discØ 302, -Org. 14246	Gasolina	FWD	1199	74	101	06.19-	■	
1.2 PureTech 130 (HNS (EB2ADTS))	discØ 302, -Org. 14246	Gasolina	FWD	1199	96	131	06.19-	■	
1.2 PureTech 130 (HNY (EB2DTS))	discØ 302, -Org. 14246	Gasolina	FWD	1199	96	131	06.19-	■	
1.6 VTI 115 (UWNFPW, UWNFJW)	discØ 302, -Org. 14246	Gasolina	FWD	1587	85	116	11.19-	■	
e-208 (ZKX (ZK01))	discØ 302	Eléctrico	FWD		100	136	06.19-	■	
1.5 BlueHDi 100 (YHY (DV5RD))	discØ 302, -Org. 14246	Diesel	FWD	1499	75	102	06.19-	■	
1.5 BlueHDi 130 (YHZ (DV5RC))	discØ 302, -Org. 14246	Diesel	FWD	1499	96	131	09.19-	■	
1.6 HDi 90 (UB9HPA)	discØ 302, -Org. 14246	Diesel	FWD	1560	68	92	10.19-	■	
<b>3008 (OU_) 05.09-12.17</b>						<b>Box Body/MPV (Compact MPV-M1 Segment)</b>			
HDi 150 (OURHEM)		Diesel	FWD	1997	110	150	06.09-08.16	■	
HDi (OURHHT)		Diesel	FWD	1997	120	163	06.09-08.16	■	
<b>3008 (OU_) 05.09-12.17</b>						<b>MPV (Compact MPV-M1 Segment)</b>			
1.6 THP (5FE (EP6CDTM))		Gasolina	FWD	1598	110	150	06.09-08.16	■	
1.6 THP (5FE (EP6CDTMD))		Gasolina	FWD	1598	110	150	06.09-08.16	■	
1.6 THP (5FX (EP6DT))		Gasolina	FWD	1598	110	150	06.09-08.16	■	
1.6 THP (5FV (EP6CDT))		Gasolina	FWD	1598	115	156	06.09-08.16	■	
1.6 THP (5FM (EP6CDTM))		Gasolina	FWD	1598	120	163	09.10-08.16	■	
1.6 Turbo (5GZ (EP6FDT))		Gasolina	FWD	1598	121	165	05.14-08.16	■	
2.0 BlueHDi 135 Hybrid		Diesel/el éc.	FWD	1997	100	136	01.15-12.16	■	
2.0 BlueHDi 135 Hybrid		Diesel/el éc.	FWD	1997	100	136	09.15-12.16	■	
2.0 BlueHDi 150 Hybrid		Diesel/el éc.	FWD	1997	110	150	01.15-12.16	■	
2.0 HDi Hybrid4 (RHC (DW10CTED4))		Diesel/el éc.	4WD	1997	120	163	02.11-08.16	■	
2.0 HDi 150 / BlueHDi 150 (RWRHEJ, RWRHE8) (AHX (DW10FD))		Diesel	FWD	1997	110	150	06.09-08.16	■	
2.0 HDi 150 / BlueHDi 150 (RWRHEJ, RWRHE8) (RHE (DW10CTED4))		Diesel	FWD	1997	110	150	06.09-08.16	■	
2.0 HDi (RHH (DW10CTED4))		Diesel	FWD	1997	120	163	06.09-08.16	■	
<b>307 (3B) 03.03-06.09</b>						<b>Convertible (Compact car-C Segment)</b>			
2.0 16V (RFK (EW10J4S))	01/09-	Gasolina	FWD	1997	130	177	10.03-04.09	■	
2.0 16V (RFK (EW10J4S))		Gasolina	FWD	1997	132	180	04.05-06.09	■	
2.0 HDi 135 (RHR (DW10BTED4))	01/09-	Diesel	FWD	1997	100	136	06.05-04.09	■	
<b>307 (3E) 03.02-</b>						<b>Estate (Compact car-C Segment)</b>			
2.0 16V (RFK (EW10J4S))		Gasolina	FWD	1997	130	177	06.05-04.08	■	
2.0 HDi 135 (RHR (DW10BTED4))		Diesel	FWD	1997	100	136	02.04-04.08	■	
<b>307 (3A/C) 08.00-</b>						<b>Hatchback (Compact car-C Segment)</b>			
2.0 16V (RFK (EW10J4S))		Gasolina	FWD	1997	130	177	06.05-11.07	■	
2.0 HDi 135 (RHR (DW10BTED4))		Diesel	FWD	1997	100	136	10.03-11.07	■	

# LISTA DE APLICACIONES - BUYERS GUIDE

<b>307 SW (3E_, 3H_) 04.02-12.09</b>					<b>Estate Van (Compact car-C Segment)</b>			
2.0 HDi (RHR (DW10BTED4))		Diesel	FWD	1997	100	136	04.04-11.07	■
<b>307 SW (3H) 03.02-</b>					<b>Estate (Compact car-C Segment)</b>			
2.0 HDi 135 (RHR (DW10BTED4))		Diesel	FWD	1997	100	136	02.04-04.08	■
<b>308 (4A_, 4C_) 09.07-</b>					<b>Hatchback (Compact car-C Segment)</b>			
1.6 16V (5FX (EP6DT))	01/09-	Gasolina	FWD	1598	110	150	09.07-10.14	■
1.6 THP 16V (5FV (EP6CDT))		Gasolina	FWD	1598	115	156	10.09-10.14	■
1.6		Gasolina	FWD	1598	120	163	01.12-12.15	■
1.6 16V (5FY (EP6DTS))	01/09-	Gasolina	FWD	1598	128	174	03.08-10.14	■
1.6 GTI (EP6CDTX)		Gasolina	FWD	1598	147	200	07.10-10.14	■
2.0 HDi (RHR (DW10BTED4))	01/09-	Diesel	FWD	1997	100	136	09.07-10.14	■
2.0 HDi (RHR (DW10CB))	01/09-	Diesel	FWD	1997	100	136	09.07-10.14	■
2.0 HDi (RHR (DW10BTED4))		Diesel	FWD	1997	103	140	07.10-12.12	■
2.0 HDi (RHE (DW10CTED4))		Diesel	FWD	1997	110	150	10.11-10.14	■
2.0 HDi (RHH (DW10CTED4))		Diesel	FWD	1997	120	163	04.12-10.14	■
<b>308 SW (4E_, 4H_) 09.07-</b>					<b>Estate (Compact car-C Segment)</b>			
1.6 16V (5FT (EP6DT))		Gasolina	FWD	1598	103	140	09.07-10.14	■
1.6 16V (5FX (EP6DT))	01/09-	Gasolina	FWD	1598	110	150	09.07-10.14	■
1.6 THP 16V (5FV (EP6CDT))		Gasolina	FWD	1598	115	156	10.09-10.14	■
1.6 16V (5FY (EP6DTS))	01/09-	Gasolina	FWD	1598	128	174	03.08-10.14	■
2.0		Gasolina	FWD	1997	103	140	01.08-12.11	■
2.0 Bioflex (RFJ (EW10A))	01/09-	Gasol./Etanol	FWD	1997	103	140	01.08-12.11	■
2.0 HDi (RHR (DW10BTED4))	01/09-	Diesel	FWD	1997	100	136	09.07-12.12	■
2.0 HDi (RHR (DW10BTED4))	01/09-	Diesel	FWD	1997	103	140	09.07-10.14	■
2.0 HDi (RHE (DW10CTED4))		Diesel	FWD	1997	110	150	04.11-10.14	■
2.0 HDi (RHH (DW10CTED4))		Diesel	FWD	1997	120	163	06.09-10.14	■
<b>308 CC (4B_) 02.09-</b>					<b>Convertible (Compact car-C Segment)</b>			
1.6 16V (5FT (EP6DT))		Gasolina	FWD	1598	103	140	06.09-12.14	■
1.6 16V (5FX (EP6DT))		Gasolina	FWD	1598	110	150	06.09-12.14	■
1.6 16V (5FV (EP6CDT))		Gasolina	FWD	1598	115	156	06.09-12.14	■
1.6 THP (EP6CDTX)		Gasolina	FWD	1598	147	200	10.10-12.14	■
2.0 CVVT (RFJ (EW10A))		Gasolina	FWD	1997	103	140	07.09-12.14	■
2.0 HDi (4BRHRH, 4BRHRJ) (RHR (DW10BTED4))		Diesel	FWD	1997	100	136	04.09-12.14	■
2.0 HDi (RHF (DW10BTED4))		Diesel	FWD	1997	103	140	04.09-12.12	■
2.0 HDi (RHH (DW10CTED4))		Diesel	FWD	1997	120	163	06.09-12.14	■
<b>308 SW (4E_) 01.08-12.12</b>					<b>Estate Van (Compact car-C Segment)</b>			
2.0 HDi (RHR (DW10BTED4))		Diesel	FWD	1997	100	136	01.08-12.11	■
<b>RCZ 03.10-</b>					<b>Coupe (Compact car-C Segment)</b>			
1.6 THP 150 (5FE (EP6CDTMD))		Gasolina	FWD	1598	110	150	03.11-12.15	■
1.6 16V (5FV (EP6CDT))		Gasolina	FWD	1598	115	156	03.10-12.15	■
2.0 HDi (RHH (DW10CTED4))		Diesel	FWD	1997	120	163	03.10-12.15	■
<b>PEUGEOT (DF-PSA)</b>								
<b>2008 II (U_P24) 05.20-</b>					<b>Closed Off-Road Vehicle (Compact SUV-J Segment)</b>			
230 THP		Gasolina	FWD	1199	100	136	05.20-	■
EV		Eléctrico	FWD		120	163	05.20-	■
<b>VAUXHALL</b>								

# LISTA DE APLICACIONES - BUYERS GUIDE

<b>MOKKA II 06.20-</b>				<b>SUV (Mini SUV-J Segment)</b>			
MOKKA-e (76)	Eléctrico	FWD		100	136	06.20-	■