

LISTA DE APLICACIONES - BUYERS GUIDE

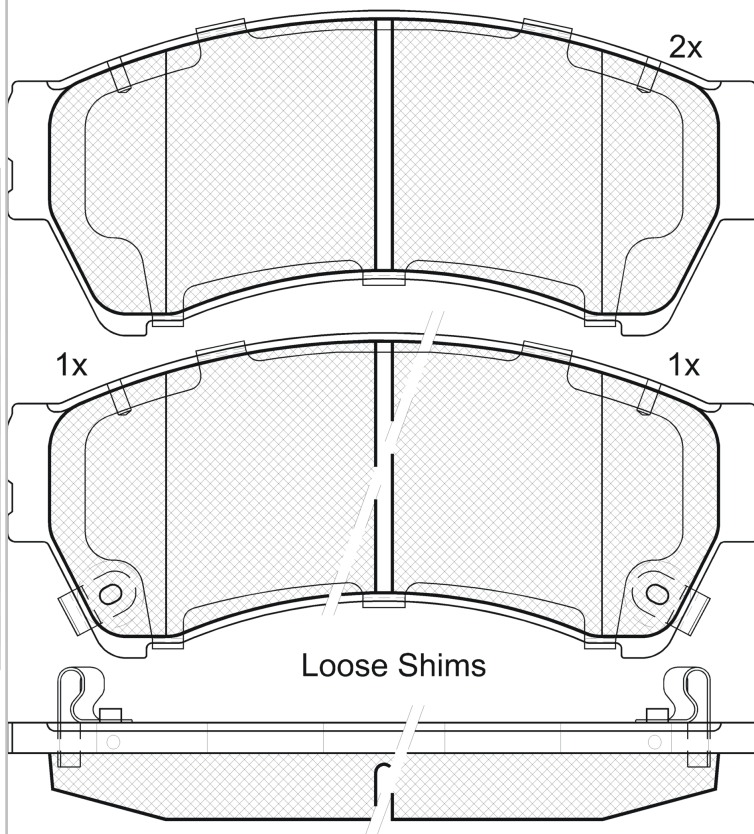
181868



Qty: 300

Weight: 1.605

O.E.M.	MAKE
6E5Z-2001-B	FORD USA
6E5Z-2001-C	MERCURY
7F5Z-2001-A	FORD USA
7F5Z-2001-A	MERCURY
9E5Z-2001-A	FORD USA
GPYB-33-23ZD	MAZDA
GPYB-33-23ZE	MAZDA
GPYB-33-23ZF	MAZDA
GPYB-33-23ZG	MAZDA
GPYB-33-28ZD	MAZDA
GPYB-33-28ZE	MAZDA
GPYB-33-28ZF	MAZDA
GSYD-33-23Z	MAZDA
GSYD-33-23ZA	MAZDA
GSYD-33-28Z	MAZDA
GSYD-33-28Z9C	MAZDA
GSYD-33-28ZA	MAZDA
GSYD3328ZB	MAZDA



181868

E 9 90R-01111/2302

Akebono

136.7x58.9x18.1

WVA	FMSI
24582	D1164-8277
24629	D1192-8277
24630	D1192-8521
25787	
25788	

MAKE
FORD
FORD USA
LINCOLN
MAZDA
MERCURY



Trac.	CC	Kw	CV
-------	----	----	----



Front / Rear

FORD

FUSION 05.06-12.12

Saloon (Mini MPV-M1 Segment)

Model	Trac.	CC	Kw	CV	Period	Icon
2.3	Gasolina	FWD	2261	119	162 05.06-04.09	■
2.5	Gasolina	FWD	2488	127	173 05.09-12.12	■
3.0	Gasolina	FWD	2967	179	243 05.09-	■
3.0	Gasolina	FWD	3000	164	223 05.06-04.09	■

FORD USA

FUSION (U.S.A.) 06.05-

Saloon (Large family car-D Segment)

Model	Trac.	CC	Kw	CV	Period	Icon
2.3	Gasolina	FWD	2261	117	159 06.05-12.09	■
2.3 16V	Gasolina	FWD	2295	117	159 06.05-	■
3.0	Gasolina	FWD	2967	163	222 06.05-12.09	■
3.0 A las 4 ruedas	Gasolina	4WD	2967	163	222 11.06-12.09	■
3.0 V6 24V	Gasolina	FWD	2995	163	222 06.05-	■

LINCOLN

ZEPHYR II 09.04-

Saloon (Executive car-E Segment)

Model	Trac.	CC	Kw	CV	Period	Icon
3.0 Limited	Gasolina	FWD	2967	164	223 09.04-	■
3.0 24V V6	Gasolina	FWD	2995	164	223 09.04-	■
3.0 24V V6 4WD	Gasolina	FWD	2995	164	223 09.04-	■

MAZDA

6 / ATENZA (GG) 08.02-12.08

Hatchback (Executive car-E Segment)

2.5	Gasolina	FWD	2488	125	170 08.07-12.08	■
-----	----------	-----	------	-----	-----------------	---

6 / ATENZA (GG) 06.02-12.08

Saloon (Executive car-E Segment)

2.3	Gasolina	FWD	2295	115	156 01.03-	■
-----	----------	-----	------	-----	------------	---

LISTA DE APLICACIONES - BUYERS GUIDE

2.3 16V	01/03-	Gasolina	FWD	2295	115	156	01.03-	■	
2.3	01/04-	Gasolina	FWD	2295	118	160	01.03-	■	
2.3 16V	01/06-	Gasolina	FWD	2295	118	160	01.03-	■	
2.3 16V 4WD	01/06-	Gasolina	FWD	2295	118	160	01.03-	■	
2.5		Gasolina	FWD	2488	125	170	08.07-	■	
3.0 V6 24V	01/07-	Gasolina	FWD	2995	156	212	01.03-	■	
3.0 V6 24V	01/07-	Gasolina	FWD	2995	156	212	01.03-	■	
3.0 V6 24V	01/07-	Gasolina	FWD	2995	156	212	01.03-	■	
3.0 V6 24V	01/04-	Gasolina	FWD	2995	158	215	01.03-	■	
3.0 V6 24V	01/03-	Gasolina	FWD	2995	158	215	01.03-	■	
3.0 V6 24V	01/03-	Gasolina	FWD	2995	158	215	01.03-	■	
6 / ATENZA Station Wagon (GY) 01.02-02.08					Estate (Executive car-E Segment)				
1.8 (L813)		Gasolina	FWD	1798	88	120	08.02-08.07	■	
2.0 (GYEW) (LFF7)		Gasolina	FWD	1999	108	147	03.05-08.07	■	
6 II / ATENZA (GH) 12.07-07.13					Estate (Executive car-E Segment)				
1.8 MZR (L813)		Gasolina	FWD	1798	88	120	02.08-07.13	■	
2.0 MZR (GHEFW, GH10F) (LF17)		Gasolina	FWD	1999	108	147	12.07-07.13	■	
2.0 MZR (GHEFW) (LFDE)		Gasolina	FWD	1999	114	155	01.10-07.13	■	
2.5		Gasolina	FWD	2488	125	170	02.08-	■	
2.5 MZR (GH5FW) (L5-VE)		Gasolina	FWD	2488	125	170	02.08-07.13	■	
2.0 MZR-CD (GH14) (RF7J)		Diesel	FWD	1998	103	140	12.07-12.10	■	
2.2 MZR-CD (GH10) (R2AA)		Diesel	FWD	2183	132	180	01.10-07.13	■	
2.2 MZR-CD (GH10) (R2BF)		Diesel	FWD	2184	92	125	01.09-12.10	■	
2.2 D (GH10) (R2BF)		Diesel	FWD	2184	95	129	01.10-07.13	■	
2.2 MZR-CD (GH10) (R2AA)		Diesel	FWD	2184	120	163	08.08-07.13	■	
2.2 MZR-CD (GH10) (R2AA)		Diesel	FWD	2184	136	185	08.08-12.11	■	
6 II / ATENZA (GH) 08.07-07.13					Hatchback (Executive car-E Segment)				
1.8 MZR (L813)		Gasolina	FWD	1798	88	120	08.07-07.13	■	
2.0 MZR (GHEFS) (LF17)		Gasolina	FWD	1999	108	147	08.07-07.13	■	
2.0 MZR (GHEFS) (LFDE)		Gasolina	FWD	1999	114	155	01.10-12.12	■	
2.5 MZR (GH5FS) (L5-VE)		Gasolina	FWD	2488	125	170	08.07-03.13	■	
2.0 MZR-CD (GH14) (RF7J)		Diesel	FWD	1998	103	140	08.07-10.09	■	
2.2 MZR-CD (GH10) (R2BF)		Diesel	FWD	2184	92	125	01.09-12.12	■	
2.2 D (GH10) (R2BF)		Diesel	FWD	2184	95	129	01.10-12.12	■	
2.2 MZR-CD (GH10) (R2AA)		Diesel	FWD	2184	120	163	01.09-12.12	■	
2.2 MZR-CD (GH10) (R2AA)		Diesel	FWD	2184	132	180	01.10-12.12	■	
2.2 MZR-CD (GH10) (R2AA)		Diesel	FWD	2184	136	185	01.09-12.12	■	
6 II / ATENZA (GH) 08.07-12.13					Saloon (Executive car-E Segment)				
1.8 MZR (L813)		Gasolina	FWD	1798	88	120	08.07-07.13	■	
2.0 MZR (GHEFP, GH10F) (LF4J)		Gasolina	FWD	1999	108	147	08.07-12.12	■	
2.0 MZR (GHEFP, GH10F) (LF4K)		Gasolina	FWD	1999	108	147	08.07-12.12	■	
2.0 MZR (GHEFP, GH10F) (LFYA)		Gasolina	FWD	1999	108	147	08.07-12.12	■	
2.0 MZR (GHEFP, GH10F) (LFYB)		Gasolina	FWD	1999	108	147	08.07-12.12	■	
2.0 MZR (GHEFP) (LFDE)		Gasolina	FWD	1999	114	155	01.10-12.12	■	
2.5 MZR (GH5FS, GH5FP) (L5-VE)		Gasolina	FWD	2488	125	170	08.07-07.13	■	
3.7		Gasolina	FWD	3726	203	272	09.08-12.12	■	
2.0 MZR-CD (GH14) (RF7J)		Diesel	FWD	1998	103	140	08.07-10.10	■	
2.2 D (GH10) (R2AA)		Diesel	FWD	2183	132	180	01.10-07.13	■	
2.2 MZR-CD (GH10) (R2BF)		Diesel	FWD	2184	92	125	01.09-12.12	■	
2.2 D (GH10) (R2BF)		Diesel	FWD	2184	95	129	01.10-12.12	■	

LISTA DE APLICACIONES - BUYERS GUIDE

2.2 MZR-CD (GH10) (R2AA)		Diesel	FWD	2184	120	163	01.09-12.12	■
2.2 MZR-CD (GH10) (R2AA)		Diesel	FWD	2184	136	185	01.09-12.12	■
MERCURY								
MILAN (U.S.A.) 09.05-12.11						Saloon (Large family car-D Segment)		
All models	01/06-	Gasolina	FWD				09.05-	■