

# LISTA DE APLICACIONES - BUYERS GUIDE

## 181870

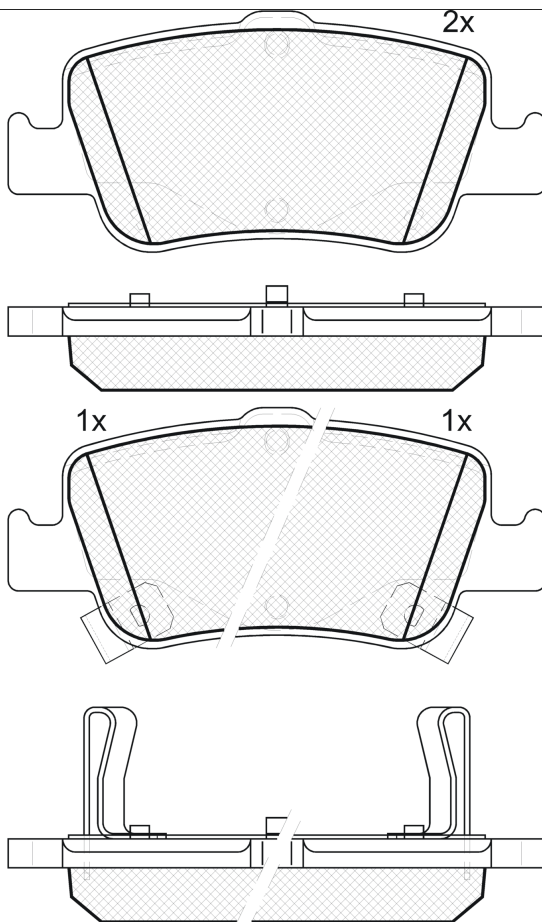


8 424073 097361

Qty: 944

Weight: 905

O.E.M.	MAKE
04466-02170	TOYOTA
04466-02180	TOYOTA
04466-02181	TOYOTA
04466-02182	TOYOTA
04466-02190	TOYOTA
04466-02191	TOYOTA
04466-02280	TOYOTA
04466-02290	TOYOTA
04466-02291	TOYOTA
04466-02292	TOYOTA
04466-02300	TOYOTA
04466-YZZE3	TOYOTA
86 60 000 770	RENAULT
86 60 004 433	RENAULT



## 181870

E 9 90R-01110/2339



Bosch

102.3x45.89x16.5

WVA	FMSI
24664	D1572-8781
24665	
24666	

MAKE
TOYOTA
TOYOTA (FAW)
TOYOTA (GAC)



Trac.	CC	Kw	CV
-------	----	----	----



Front / Rear

### TOYOTA

TOYOTA							Hatchback Van (LCVs-N1 Segment)			
<b>AURIS ( _E15_ ) 03.07-09.12</b>							<b>Hatchback Van (LCVs-N1 Segment)</b>			
1.4 D-4D (NDE150) (1ND-TV)	Great Britain	Diesel	FWD	1364	66	90	03.07-09.12	■		
<b>AURIS (NDE15_ ) 12.06-04.13</b>							<b>Van (LCVs-N1 Segment)</b>			
1.4 D-4D		Diesel	RWD	1364	66	90	03.07-04.13	■		
<b>AURIS II ( _E18_ ) 07.13-</b>							<b>Estate (Compact car-C Segment)</b>			
1.2 (NRE185_ , NRE185R, NRE185H) (8NR-FTS)		Gasolina	FWD	1197	85	116	03.15-12.18	■		
1.3 Dual-VVTi (NRE180_ , NRE180R) (1NR-FE)		Gasolina	FWD	1329	73	99	07.13-12.18	■		
1.6 (ZRE185_ ) (1ZR-FAE)		Gasolina	FWD	1598	97	132	07.13-12.18	■		
1.8 Hybrid (ZWE186_ , ZWE186R, ZWE186H) (2ZR-FXE)		Gasol./el éc.	FWD	1798	100	136	07.13-12.18	■		
1.4 D-4D (NDE180_ ) (1ND-TV)		Diesel	FWD	1364	66	90	07.13-12.18	■		
1.6 D4-D (WWE185_ ) (1WW)		Diesel	FWD	1598	82	112	04.15-12.18	■		
2.0 D-4D (ADE186_ ) (1AD-FTV)		Diesel	FWD	1998	91	124	07.13-04.15	■		
<b>AURIS II VAN ( _E18_ ) 03.13-</b>							<b>Hatchback Van (LCVs-N1 Segment)</b>			
1.4 D-4D (NDE180_ ) (1ND-TV)		Diesel	FWD	1364	66	90	03.13-12.18	■		
<b>AURIS II / COROLLA ( _E18_ ) 10.12-</b>							<b>Hatchback (Compact car-C Segment)</b>			
1.2 (NRE185_ , NRE185R) (8NR-FTS)		Gasolina	FWD	1197	85	116	03.15-12.18	■		
1.3 Dual-VVTi (NRE180_ , NRE180R) (1NR-FE)		Gasolina	FWD	1329	73	99	10.12-12.18	■		
1.5		Gasolina	FWD	1497	77	105	10.12-	■		
1.5		Gasolina	FWD	1497	80	109	10.12-	■		
1.6 (ZRE181_ , ZRE185_ , ZRE185R, ZRE181R) (1ZR-FAE)		Gasolina	FWD	1598	97	132	10.12-12.18	■		
1.8 (ZRE182_ , ZRE182R) (2ZR-FE)		Gasolina	FWD	1798	103	140	10.12-12.18	■		

# LISTA DE APLICACIONES - BUYERS GUIDE

1.8 (ZRE186_, ZRE186R) (2ZR-FAE)		Gasolina	FWD	1798	106	144	10.12-12.18	■	
1.8 Hybrid (ZWE186_, ZWE186R, ZWE186H) (2ZR-FXE)		Gasol./el éc.	FWD	1798	100	136	10.12-12.18	■	
1.4 D-4D (NDE180_, NDE180R) (1ND-TV)		Diesel	FWD	1364	66	90	10.12-12.18	■	
1.6 D4-D (WWE185_) (1WW)		Diesel	FWD	1598	82	112	04.15-12.18	■	
2.0 D-4D (ADE186_, ADE186R) (1AD-FTV)		Diesel	FWD	1998	91	124	10.12-04.15	■	
<b>AURIS / BLADE ( _E15_ ) 10.06-01.13</b>							<b>Hatchback (Compact car-C Segment)</b>		
1.33 Dual-VVTi (NRE150_, NRE150R) (1NR-FE)	Great Britain	Gasolina	FWD	1329	73	99	01.10-09.12	■	
1.33 Dual-VVTi (NRE150_, NRE150R) (1NR-FE)	Great Britain	Gasolina	FWD	1329	74	101	05.09-09.12	■	
1.4 (ZZE150_, ZZE150R) (4ZZ-FE)	Great Britain	Gasolina	FWD	1398	71	97	03.07-09.12	■	
1.5 4WD (NZE154_, NZE154R) (1NZ-FE)		Gasolina	4WD	1497	77	105	10.06-09.12	■	
1.5 (NZE151_, NZE151N) (1NZ-FE)		Gasolina	FWD	1497	81	110	10.06-08.12	■	
1.6 (ZRE151_, ZRE151R) (1ZR-FE)	Great Britain	Gasolina	FWD	1598	91	124	03.07-09.12	■	
1.6 (ZRE151_, ZRE151R) (1ZR-FAE)	Great Britain	Gasolina	FWD	1598	97	132	05.09-09.12	■	
1.8 4WD		Gasolina	FWD	1797	94	128	01.08-10.09	■	
1.8 (ZRE152) (2ZR-FAE)		Gasolina	FWD	1798	100	136	10.06-09.12	■	
1.8 (ZRE152) (2ZR-FE)		Gasolina	FWD	1798	100	136	10.06-09.12	■	
1.8 4WD (ZRE154_, ZRE154N) (2ZR-FAE)		Gasolina	4WD	1798	100	136	10.06-10.09	■	
1.8 (ZRE152_, ZRE152) (2ZR-FAE)		Gasolina	FWD	1798	106	144	02.09-09.12	■	
1.8 (ZRE152_, ZRE152) (2ZR-FAE)		Gasolina	FWD	1798	108	147	02.09-09.12	■	
1.8 Hybrid (ZWE150_, ZWE150R) (2ZR-FXE)		Gasol./el éc.	FWD	1798	100	136	09.10-09.12	■	
1.4 D-4D (NDE150_, NDE150R) (1ND-TV)	Great Britain	Diesel	FWD	1364	66	90	03.07-09.12	■	
2.0 D-4D (ADE150_, ADE150R) (1AD-FTV)		Diesel	FWD	1998	93	126	10.06-09.12	■	
2.2 D (ADE157_, ADE151_, ADE151R, ADE157R) (2AD-FHV)		Diesel	FWD	2231	130	177	11.06-09.12	■	
<b>COROLLA X / ALTIS ( _E15_ ) 10.06-</b>							<b>Saloon (Compact executive car-D Segment)</b>		
1.4 D-4D (NDE150) (1ND-TV)		Diesel	FWD	1364	66	90	10.06-07.14	■	
2.0 D-4D (ADE150) (1AD-FTV)		Diesel	FWD	1998	93	126	11.06-07.14	■	
<b>COROLLA XI / COROLLA ALTIS ( _E18_, ZRE1_ ) 06.13-</b>							<b>Saloon (Compact executive car-D Segment)</b>		
1.3 Dual-VVTi (NRE180_, NRE180R) (1NR-FE)	vehicles without ABS	Gasolina	FWD	1329	73	99	06.13-12.18	■	
1.6 (ZRE171) (1ZR-FE)		Gasolina	FWD	1598	89	121	10.13-12.18	■	
1.6 (ZRE171, ZRE181) (1ZR-FE)	vehicles without ABS	Gasolina	FWD	1598	90	122	06.13-12.18	■	
1.6 BiFuel	vehicles without ABS	Gasolina	FWD	1598	90	122	06.13-	■	
1.6 (ZRE181_) (1ZR-FAE)	vehicles without ABS	Gasolina	FWD	1598	97	132	06.13-12.18	■	
1.8 VVTi (ZRE172, ZRE182) (2ZR-FBE)	vehicles without ABS	Gasolina	FWD	1798	103	140	06.13-08.19	■	
1.8 VVTi (ZRE172, ZRE182) (2ZR-FE)	vehicles without ABS	Gasolina	FWD	1798	103	140	06.13-08.19	■	
1.8 Flex	vehicles without ABS	Gasolina	FWD	1798	106	144	03.15-	■	
1.8 VVT-i	vehicles without ABS	Gasolina	FWD	1798	111	151	12.13-	■	
2.0 VVT-i (ZRE173_) (3ZR-FE)	vehicles without ABS	Gasolina	FWD	1987	105	143	10.13-12.18	■	
2.0 VVT-i (ZRE173) (3ZR-FE)		Gasolina	FWD	1987	107	145	01.14-06.19	■	
2.0 VVT-i CNG (ZRE173) (3ZR-FE)		Gasol./G as (CNG)	FWD	1987	105	143	12.13-12.18	■	
1.4 D-4D (NDE180_, NDE180R) (1ND-TV)	vehicles without ABS	Diesel	FWD	1364	66	90	06.13-12.18	■	
<b>COROLLA XI / COROLLA AXIO ( _E16_ ) 05.12-</b>							<b>Saloon (Compact executive car-D Segment)</b>		
1.3 (NRE160)	vehicles without ABS	Gasolina	FWD	1329	70	95	05.12-	■	
1.5 4WD (NZE164)	vehicles without ABS	Gasolina	4WD	1497	76	103	05.12-	■	
1.5 (NZE161)	vehicles without ABS	Gasolina	FWD	1497	80	109	05.12-	■	

# LISTA DE APLICACIONES - BUYERS GUIDE

<b>COROLLA XI / COROLLA FIELDER (_E16_) 05.12-</b>					<b>Estate (Compact executive car-D Segment)</b>			
1.5 Hybrid (NKE165G)	vehicles without ABS	Gasol./el éc.	FWD	1496	54	73	10.14-	■
<b>TOYOTA (FAW)</b>								
<b>COROLLA (_E18_) 06.14-</b>					<b>Saloon (Compact executive car-D Segment)</b>			
1.2 (NRE181)		Gasolina	FWD	1197	85	116	09.16-	■
1.6 (ZRE181)		Gasolina	FWD	1598	90	122	06.14-12.17	■
1.8 (ZRE182)		Gasolina	FWD	1798	103	140	06.14-	■
1.8 Hybrid		Gasol./el éc.	FWD	1798	73	99	10.15-	■
<b>TOYOTA (GAC)</b>								
<b>LEVIN (_E18_) 03.19-</b>					<b>Saloon (Compact executive car-D Segment)</b>			
Hybrid (ZWE183)		Gasol./el éc.	FWD	1798	73	99	03.19-	■
<b>LEVIN (ZRE18_, ZWE18_) 10.15-</b>					<b>Saloon (Supermini car-B Segment)</b>			
1.2 T (NRE181)		Gasolina	FWD	1197	85	116	11.16-	■
1.6 (ZRE181)		Gasolina	FWD	1598	90	122	07.14-12.16	■
1.8 (ZRE182)		Gasolina	FWD	1798	103	140	07.14-	■
1.8 Hybrid		Gasol./el éc.	FWD	1798	73	99	07.14-	■