

LISTA DE APLICACIONES - BUYERS GUIDE

181874

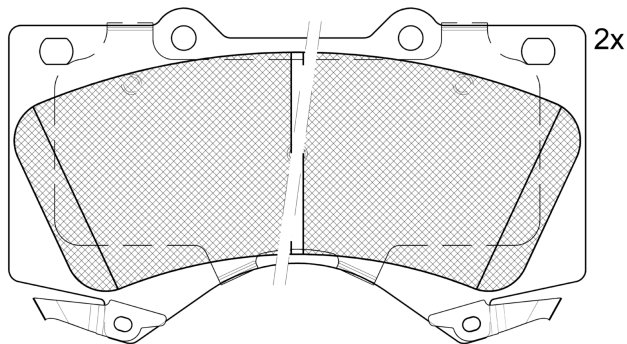
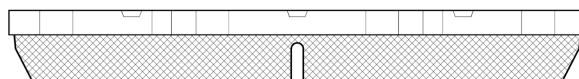
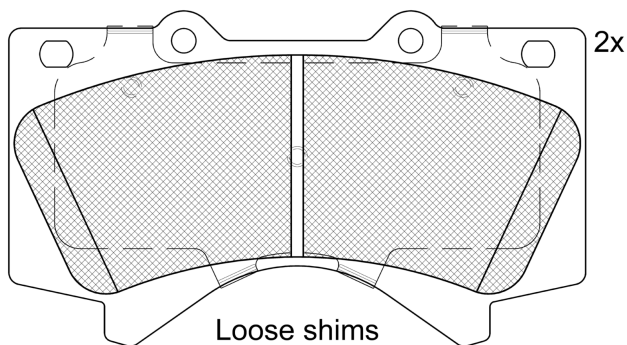


8 424073 097415

Qty: 300

Weight: 2.435

O.E.M.	MAKE
04465-02440	TOYOTA
04465-0C020	TOYOTA
04465-60280	LEXUS
04465-60281	TOYOTA
04465-60300	TOYOTA
04465-60330	TOYOTA
04465-YZZEJ	TOYOTA
4465-60281	TOYOTA



181874

E 9 90R-01111/2523



Advics

143.7x83.3x18.5

WVA	FMSI
24386	D1303-8419
24394	
24395	

MAKE
LANCIA
LEXUS
TOYOTA
TOYOTA (FAW)



Trac.	CC	Kw	CV			Front / Rear
-------	----	----	----	--	--	--------------

LANCIA

Model	Year	Fuel	Trac.	CC	Kw	CV	Period	Segment
FULVIA (818_) 01.65-12.76		Gasolina	FWD	1298	66	90	08.70-12.76	Coupe (Compact car-C Segment)
1.3 (818) (138 B.100)								■

LEXUS

Model	Year	Fuel	Trac.	CC	Kw	CV	Period	Segment
LX III (_J2_) 08.07-		Gasolina	FWD	4608	234	318	01.12-	SUV (Luxury Crossover SUV-J Segment)
460								■
570 (URJ201) (3UR-FE)		Gasolina	4WD	5663	266	362	01.15-	■
570 (URJ201) (3UR-FE)	01/08-	Gasolina	4WD	5663	270	367	11.07-	■
570 (URJ201_)		Gasolina	FWD	5663	277	377	09.15-	■
570 (URJ201) (3UR-FE)		Gasolina	4WD	5663	282	384	11.07-	■
570 (URJ201) (3UR-FE)		Gasolina	4WD	5663	285	387	08.07-	■
570		Gasolina	FWD	5663	286	389	09.09-	■
450 (VDJ201) (1VT-FTV)		Diesel	4WD	4461	195	265	09.16-	■
450d (VDJ201) (1VD-FTV)		Diesel	4WD	4461	200	272	09.15-	■

TOYOTA

Model	Year	Fuel	Trac.	CC	Kw	CV	Period	Segment
LAND CRUISER (_J7_, _JL7_) 11.84-		Gasolina	4WD	3956	170	231	03.07-	Platform/Chassis (Off-Road SUV-J Segment)
4.0 4x4 (GRJ79) (1GR-FE)								■
LAND CRUISER 200 (_J2_) 08.07-		Gasolina	4WD	3956	176	239	01.10-	Closed Off-Road Vehicle (Confort SUV-J Segment)
4.0 (GRJ200_, GRJ200R) (1GR-FE)								■
4.0 (GRJ200) (1GR-FE)		Gasolina	4WD	3956	199	271	01.12-	■
4.6 V8 (URJ202_) (1UR-FE)		Gasolina	4WD	4608	224	305	01.12-	■
4.6 V8 (URJ202) (1UR-FE)		Gasolina	4WD	4608	227	309	09.10-	■
4.6 V8 (URJ202W) (1UR-FE)		Gasolina	4WD	4608	234	318	01.12-	■

LISTA DE APLICACIONES - BUYERS GUIDE

4.7 V8 (UZJ200) (2UZ-FE)		Gasolina	4WD	4664	199	271	04.11-	■	
4.7 V8 (UZJ200) (2UZ-FE)		Gasolina	4WD	4664	202	275	08.07-	■	
4.7 V8 (UZJ200) (2UZ-FE)		Gasolina	4WD	4664	212	288	01.08-	■	
4.7 V8 (UZJ200) (2UZ-FE)		Gasolina	4WD	4664	232	315	01.08-	■	
5.7 V8 (URJ200_) (3UR-FE)		Gasolina	4WD	5663	266	362	08.15-	■	
5.7 V8 (URJ200_) (3UR-FE)		Gasolina	4WD	5663	270	367	09.11-07.15	■	
5.7 V8 (URJ200)		Gasolina	4WD	5663	280	381	08.08-	■	
5.7 V8 (URJ200_, URJ200R) (3UR-FE)		Gasolina	4WD	5663	284	386	08.07-	■	
5.7 V8 VVTi	01/08-	Gasolina	FWD	5695	280	381	08.07-	■	
4.0 D VVTi	01/08-	Diesel	RWD	3995	176	240	08.07-	■	
4.5 D4-D (VDJ200) (1VD-FTV)		Diesel	4WD	4461	160	218	01.12-	■	
4.5 D4-D (VDJ200) (1VD-FTV)		Diesel	4WD	4461	171	232	01.13-	■	
4.5 D4-D (VDJ200) (1VD-FTV)		Diesel	4WD	4461	173	235	08.07-	■	
4.5 D4-D (VDJ200_) (1VD-FTV)		Diesel	4WD	4461	183	249	08.15-	■	
4.5 D4-D (VDJ200) (1VD-FTV)		Diesel	4WD	4461	195	265	09.07-	■	
4.5 D4-D (VDJ200) (1VD-FTV)		Diesel	4WD	4461	200	272	01.12-	■	
4.5 D V8 (VDJ200) (1VD-FTV)		Diesel	4WD	4461	210	286	01.08-	■	
LAND CRUISER PRADO (_J15_) 07.09-					Closed Off-Road Vehicle (Large SUV-J Segment)				
2.7 (TRJ150_, TRJ155_, TRJ150R, TRJ150W) (2TR-FE)		Gasolina	4WD	2694	120	163	08.09-	■	
3.5 (GRJ152_) (7GR-FKS)		Gasolina	4WD	3456	206	280	09.15-	■	
4.0 V6 VVTi (GRJ150_, GRJ150R, GRJ150W) (1GR-FE)		Gasolina	4WD	3956	183	249	11.12-	■	
4.0 V6 VVTi (GRJ150) (1GR-FE)		Gasolina	4WD	3956	202	275	08.09-	■	
4.0 V6 VVTi (GRJ150, GRJ151) (1GR-FE)		Gasolina	4WD	3956	203	276	01.10-	■	
4.0 V6 Dual VVTi (GRJ150_) (1GR-FE)		Gasolina	4WD	3956	205	279	08.09-	■	
4.0 V6 VVT-i (GRJ150_, GRJ125_, GRJ150) (1GR-FE)		Gasolina	4WD	3956	207	282	08.09-	■	
2.8 D-4D (GDJ150_, GDJ155_, GDJ150, GDJ151) (1GD-FTV)		Diesel	4WD	2755	130	177	06.15-	■	
2.8 D-4D (GDJ150, GDJ155) (1GD-FTV)	Germany	Diesel	4WD	2755	147	200	10.18-	■	
2.8 D-4D (GDJ155, GDJ150) (1GD-FTV)		Diesel	4WD	2755	150	204	07.20-	■	
2.8 D-4D		Diesel	4WD	2755	169	230	03.24-	■	
3.0 TDi (KDJ150_) (1KD-FTV)		Diesel	4WD	2982	120	163	08.09-	■	
3.0 D-4D (KDJ150_, KDJ150, KDJ155) (1KD-FTV)		Diesel	4WD	2982	127	173	08.09-	■	
3.0 D-4D (KDJ155_, KDJ150_, KDJ150R, KDJ155R) (1KD-FTV)		Diesel	4WD	2982	140	190	08.09-	■	
3.0 D (LJ150_) (5L-E)		Diesel	4WD	2986	70	95	07.09-	■	
LAND CRUISER PRADO VAN (_J15_) 01.11-					Closed Off-Road Van (Large SUV-J Segment)				
3.0 D4d 4WD (KDJ155, KDJ150) (1KD-FTV)		Diesel	4WD	2982	140	190	01.11-	■	
SEQUOIA (_K3_, _K4_) 05.00-10.07					SUV (Luxury Crossover SUV-J Segment)				
4.7 (UCK35_, UCK35L) (2UZ-FE)		Gasolina	RWD	4664	175	238	09.00-10.07	■	
4.7 4WD (UCK45_, UCK45L) (2UZ-FE)		Gasolina	4WD	4664	175	238	09.00-10.07	■	
4.7 4WD (UCK45_, UCK45L) (2UZ-FE)		Gasolina	4WD	4664	204	277	09.00-10.07	■	
4.7 32V	01/07-	Gasolina	FWD	4695	175	238	05.00-	■	
4.7 32V 4WD	01/07-	Gasolina	FWD	4695	175	238	05.00-	■	
4.7 32V	01/07-	Gasolina	FWD	4695	201	273	05.00-	■	
4.7 32V 4WD	01/07-	Gasolina	FWD	4695	201	273	05.00-	■	
SEQUOIA II (_K6_) 11.07-					SUV (Luxury Crossover SUV-J Segment)				
4.6 (UPK60) (1UR-FE)		Gasolina	RWD	4608	231	314	01.10-07.12	■	
4.6 4WD (UPK65_) (1UR-FE)		Gasolina	4WD	4608	231	314	04.09-07.12	■	

LISTA DE APLICACIONES - BUYERS GUIDE

4.7 (UCK60, UCK65) (2UZ-FE)	Gasolina	RWD	4664	206	280	11.07-04.14	■	
4.7 4WD (UCK65, UCK60) (2UZ-FE)	Gasolina	4WD	4664	206	280	11.07-04.14	■	
5.7 (USK60_) (3UR-FE)	Gasolina	RWD	5663	280	381	11.07-	■	
5.7 4WD (USK65_) (3UR-FE)	Gasolina	4WD	5663	280	381	11.07-	■	
5.7 (USK60_) (3UR-FE)	Gasolina	RWD	5663	284	386	11.07-	■	
5.7 4WD (USK65_) (3UR-FE)	Gasolina	4WD	5663	284	386	11.07-	■	
5.7 FLEX	Gasolina	FWD	5663	284	386	09.10-12.13	■	
5.7 FLEX 4WD (USK65) (3UR-FBE)	Gasol./Etanol	4WD	5663	280	381	11.07-	■	
5.7 FLEX (USK60_)	Gasol./Etanol	RWD	5663	284	386	09.08-	■	
TUNDRA II (_K5_, _K6_) 11.06-					Pickup (Pick-Up Truck)			
4.0 (GSK50_) (1GR-FE)	Gasolina	RWD	3956	176	239	11.06-	■	
4.0 4WD (GSK50_, GSK51_) (1GR-FE)	Gasolina	4WD	3956	176	239	11.06-12.11	■	
4.0 (GSK50_,GSK51_) (1GR-FE)	Gasolina	RWD	3956	201	273	04.09-	■	
4.6 (UPK51) (1UR-FE)	Gasolina	RWD	4608	228	310	11.06-09.13	■	
4.6 (UPK50_,UPK51_,UPK52_,UPK55_,UPK56_,UPK57_) (1UR-FE)	Gasolina	RWD	4608	231	314	04.09-	■	
4.6 4WD (UPK50_,UPK51_,UPK52_,UPK55_,UPK56_,UPK57_) (1UR-FE)	Gasolina	4WD	4608	231	314	11.06-	■	
4.7 (UCK50_, UCK51_, UCK52_, UCK55_, UCK56_, UCK57_) (2UZ-FE)	Gasolina	RWD	4664	206	280	11.06-03.09	■	
4.7 4WD (UCK50_, UCK51_, UCK52_, UCK55_, UCK56_, UCK57_) (2UZ-FE)	Gasolina	4WD	4664	206	280	11.06-12.09	■	
5.7 VVTi	Gasolina	FWD	5663	280	381	01.09-	■	
5.7 VVTi	Gasolina	FWD	5663	280	381	01.09-	■	
5.7 (USK50_, USK51, USK52_, USK56_, USK57_, USK52L,...) (3UR-FE)	Gasolina	RWD	5663	284	386	11.06-	■	
5.7 4WD (USK56_, USK57_, USK55_, USK75_, USK55L, USK57L,...) (3UR-FE)	Gasolina	4WD	5663	284	386	11.06-	■	
5.7 Flexfuel (USK51, USK52, USK55) (3UR-FBE)	Gasol./Etanol	RWD	5663	280	381	11.06-12.20	■	
5.7 Flexfuel (USK51, USK52, USK55) (3UR-FE)	Gasol./Etanol	RWD	5663	280	381	11.06-12.20	■	
5.7 Flexfuel 4WD (USK55_, USK56_, USK57_, USK55L, USK56L,...) (3UR-FBE)	Gasol./Etanol	4WD	5663	280	381	04.09-07.13	■	
5.7 Flexfuel (USK51, USK52, USK55)	Gasol./Etanol	RWD	5663	284	386	09.13-12.20	■	
5.7 Flexfuel 4WD (USK55_, USK56_, USK57_, USK55L, USK56L,...) (3UR-FBE)	Gasol./Etanol	4WD	5663	284	386	08.08-	■	
TOYOTA (FAW)								
LAND CRUISER 200 (_J20_) 12.07-12.17					Closed Off-Road Vehicle (Off-Road SUV-J Segment)			
4.0 A las 4 ruedas (GRJ200) (1GR-FE)	Gasolina	4WD	3956	179	243	12.07-12.12	■	
4.7 (UZJ200) (2UZ)	Gasolina	4WD	4664	202	275	12.07-12.12	■	