

LISTA DE APLICACIONES - BUYERS GUIDE

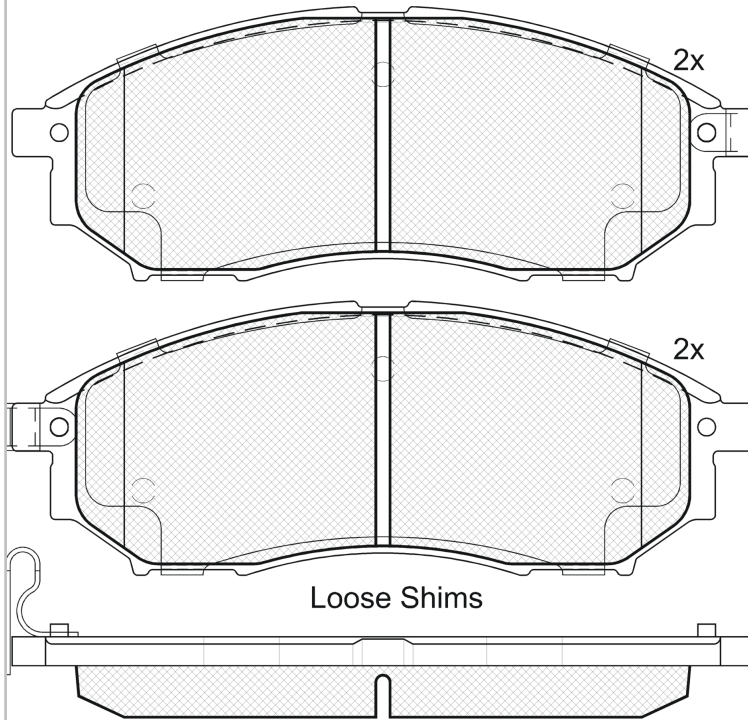
181876



Qty: 300

Weight: 2.040

O.E.M.	MAKE
41060-0V790	NISSAN
41060-AT30J	INFINITI
AY040-NS058	NISSAN
AY040-NS079	NISSAN
AY040-NS091	NISSAN
AY040-NS098	NISSAN
AY040-NS122	NISSAN
AY040-NS147	NISSAN
AY040-NS176	NISSAN
D0300-1NC0B	INFINITI
D1060-1BN0A	NISSAN
D1060-1MF0A	NISSAN
D1060-1NC0A	INFINITI
D1060-1NC0B	INFINITI
D1060-1NC0C	INFINITI
D1060-5X00A	NISSAN
D1060-EB305	NISSAN
D1060-EG51A	NISSAN
D1060-EG51C	INFINITI
D1060-EJ20	INFINITI
D1060-EJ20A	INFINITI
D1061-EG51A	NISSAN
DA060-EB325	NISSAN
MQ 706 233	NISSAN
MQ 710 558	NISSAN



181876

E 9 90R-01111/2470



Sumitomo

157.2x58.12x17.6

WVA

23698

23699

24497

FMSI

D888-7766

D888-8221

MAKE

INFINITI

INFINITI (DFAC)

NISSAN

NISSAN (DFAC)

RENAULT

RENAULT SAMSUNG

SAMSUNG



Trac.	CC	Kw	CV
-------	----	----	----



Front / Rear

INFINITI

EX 09.07-							SUV (Luxury Crossover SUV-J Segment)		
25 AWD		Gasolina	4WD	2495	163	222	09.07-		■
25 (VQ25HR)		Gasolina	4WD	2495	175	238	04.10-12.13		■
37 (VQ37VHR)		Gasolina	4WD	3694	228	310	10.08-		■
37 (VQ37VHR)		Gasolina	4WD	3696	235	320	09.10-		■
30d (V9X)		Diesel	4WD	2993	175	238	04.10-		■
FX (S50) 09.02-12.08							SUV (Luxury Crossover SUV-J Segment)		
35 (VQ35DE)		Gasolina	RWD	3498	206	280	02.03-12.08		■
35 A las 4 ruedas (VQ35DE)		Gasolina	4WD	3498	206	280	01.03-12.08		■
45 (VK45DE)		Gasolina	RWD	4494	232	316	02.03-12.08		■
45 A las 4 ruedas (VK45DE)		Gasolina	4WD	4494	232	316	01.03-12.08		■
FX II (S51) 07.08-							SUV (Luxury Crossover SUV-J Segment)		
35		Gasolina	RWD	3498	205	279	07.08-10.09		■
35 AWD		Gasolina	4WD	3498	205	279	07.08-05.09		■
35 (VQ35HR)		Gasolina	RWD	3498	226	307	10.08-12.11		■
35 AWD (VQ35HR)		Gasolina	4WD	3498	226	307	02.09-12.10		■
45 AWD		Gasolina	4WD	4494	241	328	10.08-		■
G III (V35 U.S.A.) 09.02-12.07							Coupe (Compact executive car-D Segment)		
3.5 (VQ35DE)		Gasolina	RWD	3498	209	284	09.02-12.06		■
3.5 X		Gasolina	4WD	3498	209	284	09.04-06.07		■
3.5 (VQ35DE)		Gasolina	RWD	3498	220	299	09.04-06.07		■

LISTA DE APLICACIONES - BUYERS GUIDE

G III (V35) 08.02-					Saloon (Compact executive car-D Segment)			
35 (VQ35DE)		Gasolina	RWD	3498	191	260	10.02-	■
3.5 (VQ35DE)		Gasolina	RWD	3498	209	284	09.04-06.07	■
3.5 X (VQ35DE)		Gasolina	4WD	3498	209	284	09.04-12.06	■
G IV (V36) 09.10-					Convertible (Compact executive car-D Segment)			
37		Gasolina	RWD	3696	245	333	09.10-	■
G IV (V36) 09.07-					Coupe (Compact executive car-D Segment)			
37 (VQ37VHR)		Gasolina	RWD	3694	243	330	09.07-	■
37 (VQ37VHR)		Gasolina	RWD	3696	235	320	09.10-	■
37 (VQ37VHR)		Gasolina	RWD	3696	245	333	09.08-12.12	■
G IV (V36) 01.07-					Saloon (Compact executive car-D Segment)			
25 (VQ25HR)		Gasolina	RWD	2496	163	222	01.11-	■
35 X (VQ35HR)		Gasolina	4WD	3498	228	310	01.07-12.08	■
37 (VQ37VHR)		Gasolina	RWD	3696	235	320	10.08-	■
37 X (VQ37VHR)		Gasolina	4WD	3696	235	320	10.08-	■
M IV (Y51) 03.10-					Saloon (Luxury car-F Segment)			
25		Gasolina	RWD	2495	163	222	07.10-	■
37 (VQ37VHR)		Gasolina	RWD	3696	235	320	03.10-	■
37		Gasolina	RWD	3696	246	334	09.10-12.13	■
37 X (VQ37VHR)		Gasolina	4WD	3696	246	334	09.10-	■
56		Gasolina	RWD	5552	300	408	03.10-	■
56 X		Gasolina	4WD	5552	300	408	03.10-	■
35h (VQ35HR)		Gasol./el éc.	RWD	3498	268	364	04.11-	■
30d (V9X)		Diesel	RWD	2993	175	238	03.10-	■
M35 (Y50) 01.05-					Saloon (Luxury car-F Segment)			
3.5 (VQ35DE)		Gasolina	RWD	3498	206	280	01.05-	■
3.5 X (VQ35DE)		Gasolina	4WD	3498	206	280	01.05-	■
3.5 (VQ35HR)		Gasolina	RWD	3498	226	307	09.08-12.10	■
3.5 X (VQ35HR)		Gasolina	4WD	3498	226	307	09.08-12.10	■
3.5 h (VQ35HR)		Gasol./el éc.	RWD	3498	268	364	01.10-	■
M37 01.10-					Saloon (Luxury car-F Segment)			
3.7 (VQ37VHR)		Gasolina	RWD	3696	243	330	01.10-	■
3.7 (VQ37VHR)		Gasolina	RWD	3696	246	334	01.11-	■
3.7 Allrad (VQ37VHR)		Gasolina	4WD	3696	246	334	01.11-	■
M45 III (Y50) 01.05-					Saloon (Luxury car-F Segment)			
4.5 (VK45DE)	Caliper (2 pistons)	Gasolina	RWD	4494	250	340	01.05-	■
Q40 09.14-					Saloon (Luxury car-F Segment)			
3.7		Gasolina	FWD	3696	245	333	09.14-	■
3.7		Gasolina	FWD	3696	245	333	09.14-	■
Q45 01.89-12.96					Saloon (Luxury car-F Segment)			
4.1 (VH41DE)		Gasolina	RWD	4130	205	278	01.93-12.96	■
Q45 III (F50) 02.01-					Saloon (Luxury car-F Segment)			
4.5 (VK45DE)		Gasolina	RWD	4494	250	340	02.01-06.06	■
Q60 (V36) 10.13-					Convertible (Compact executive car-D Segment)			
3.7 (VQ37VHR)		Gasolina	RWD	3696	235	320	10.13-	■

LISTA DE APLICACIONES - BUYERS GUIDE

3.7 (VQ37VHR)	not sports package	Gasolina	RWD	3696	258	351	10.13-	■	
Q60 (V36) 08.13-					Coupe (Compact executive car-D Segment)				
3.7 (VQ37VHR)	not sports package	Gasolina	RWD	3696	235	320	10.13-	■	
Q70 (Y51) 03.13-					Saloon (Luxury car-F Segment)				
2.5		Gasolina	RWD	2495	163	222	05.15-	■	
2.5		Gasolina	FWD	2495	173	235	08.13-	■	
3.7 (VQ37VHR)		Gasolina	RWD	3696	235	320	03.13-	■	
3.7AWD (VQ37VHR)		Gasolina	4WD	3696	245	333	01.14-	■	
5.6 AWD		Gasolina	4WD	5552	300	408	01.15-	■	
3.5 Hybrid		Gasol./el éc.	RWD	3498	219	298	05.15-	■	
3.5 Hybrid (VQ35HR)		Gasol./el éc.	RWD	3498	225	306	03.13-	■	
3.5 Hybrid		Gasol./el éc.	RWD	3498	240	326	08.13-	■	
3.5 Hybrid (VQ35HR)		Gasol./el éc.	RWD	3498	268	364	03.13-	■	
2.2 D		Diesel	RWD	2143	125	170	10.14-	■	
3.0 (V9X)		Diesel	RWD	2993	175	238	03.13-	■	
QX50 (J50) 08.13-					SUV (Luxury Crossover SUV-J Segment)				
2.5 AWD (VQ25HR)		Gasolina	4WD	2495	163	222	02.14-	■	
2.5		Gasolina	RWD	2495	173	235	08.13-	■	
2.5 AWD		Gasolina	4WD	2495	173	235	08.13-	■	
37 AWD (VQ37VHR)		Gasolina	4WD	3696	235	320	08.13-	■	
37 AWD (VQ37VHR)		Gasolina	4WD	3696	240	326	05.15-	■	
37		Gasolina	RWD	3696	242	329	08.13-	■	
37 AWD (VQ37VHR)		Gasolina	4WD	3696	242	329	08.13-	■	
3.7 V6 VVEL AWD		Gasolina	4WD	3696	258	351	08.13-	■	
30d AWD (V9X)		Diesel	4WD	2993	175	238	08.13-	■	
QX70 (S51) 08.13-					SUV (Luxury Crossover SUV-J Segment)				
3.7AWD (VQ37VHR)	01/16-	Gasolina	4WD	3696	235	320	08.13-	■	
37	01/16-	Gasolina	FWD	3696	235	320	08.13-	■	
37 AWD	01/16-	Gasolina	4WD	3696	245	333	02.14-	■	
37	01/16-	Gasolina	FWD	3696	258	351	02.14-	■	
50 AWD (VK50VE)	01/16-	Gasolina	4WD	5026	287	390	08.13-	■	
50 AWD	01/16-	Gasolina	4WD	5026	294	400	08.13-	■	
50	01/16-	Gasolina	FWD	5026	317	431	02.14-	■	
30d AWD (V9X)	01/16-	Diesel	4WD	2993	175	238	08.13-	■	
INFINITI (DFAC)									
QX50 (J50Z) 03.15-					Hatchback (Executive car-E Segment)				
2.5 A las 4 ruedas		Gasolina	FWD	2496	173	235	03.15-	■	
NISSAN									
350 Z / FAIRLADY Z (Z33) 09.02-					Coupe (Compact car-C Segment)				
3.5 24V	01/06-	Gasolina	FWD	3495	206	280	09.02-	■	
3.5 (AAZ33) (VQ35DE)	-12/06	Gasolina	RWD	3498	221	301	09.02-12.08	■	
3.5 (BAZ33) (VQ35HR)	01/06-	Gasolina	RWD	3498	230	313	09.05-12.08	■	
350Z / FAIRLADY Z (Z33) 09.02-12.09					Convertible (Compact car-C Segment)				
3.5 24V	01/06-	Gasolina	FWD	3495	206	280	09.02-	■	
3.5 (AAZ33) (VQ35DE)		Gasolina	RWD	3498	221	301	11.04-01.07	■	

LISTA DE APLICACIONES - BUYERS GUIDE

						Convertible (Compact car-C Segment)				
370 Z / FAIRLADY Z (Z34) 01.09-										
3.7 (VQ37VHR)	01/16-	Gasolina	RWD	3696	241	328	01.10-		■	
3.7 (VQ37VHR)	01/16-	Gasolina	RWD	3696	243	330	12.09-		■	
3.7	01/16-	Gasolina	FWD	3696	245	333	04.13-		■	
3.7	01/16-	Gasolina	FWD	3696	248	337	09.10-12.12		■	
370Z / FAIRLADY Z (Z34) 01.09-						Coupe (Compact car-C Segment)				
3.7 (VQ37VHR)	01/16-	Gasolina	RWD	3696	241	328	06.09-		■	
3.7 V6 VVEL (VQ37HR)	01/16-	Gasolina	RWD	3696	243	330	06.09-		■	
3.7 (VQ37VHR)	01/16-	Gasolina	RWD	3696	248	337	04.09-		■	
NISMO 3.7 (VQ37VHR)	01/16-	Gasolina	RWD	3696	253	344	06.13-		■	
CEDRIC X (Y34) 05.99-12.04						Saloon (Luxury car-F Segment)				
3.0 Ultima (HY34) (VQ30DET)		Gasolina	RWD	2987	206	280	08.00-08.04		■	
CIMA IV (F50) 02.01-						Saloon (Luxury car-F Segment)				
3.0		Gasolina	FWD	2987	206	280	03.01-		■	
4.5 (GF50)		Gasolina	RWD	4494	206	280	02.01-08.10		■	
4.5 (GF50)		Gasolina	RWD	4494	250	340	03.01-08.10		■	
FRONTIER II (D40) 01.04-						Pickup (Pick-Up Truck)				
2.4	Rim 17	Gasolina	FWD	2389	105	143	01.11-		■	
4.0	Rim 17	Gasolina	FWD	3954	192	261	01.11-		■	
4.0	Rim 17	Gasolina	FWD	3954	192	261	01.11-		■	
FUGA II (_Y51) 11.09-						Saloon (Luxury car-F Segment)				
250 GT (Y51)		Gasolina	FWD	2495	165	224	11.09-		■	
370 GT (KNY51)		Gasolina	FWD	3696	245	333	11.09-		■	
370 GT (KY51)		Gasolina	FWD	3696	245	333	11.09-		■	
Hybrid 3.5 (HY51)		Gasol./el éc.	RWD	3498	275	374	10.10-		■	
MURANO (Z50) 04.02-12.09						SUV (Executive SUV-J Segment)				
3.5 4x4 (VQ35DE)		Gasolina	4WD	3498	170	231	01.06-09.08		■	
3.5 (VQ35DE)		Gasolina	FWD	3498	172	234	08.03-10.07		■	
3.5 4x4 (VQ35DE)	-12/07	Gasolina	4WD	3498	172	234	08.03-09.08		■	
3.5 (VQ35DE)		Gasolina	FWD	3498	180	245	08.03-10.07		■	
3.5 4x4 (VQ35DE)		Gasolina	4WD	3498	180	245	11.04-06.08		■	
3.5	-12/07	Gasolina	FWD	3498	198	265	09.06-		■	
3.5	-12/07	Gasolina	FWD	3498	198	265	09.06-		■	
MURANO II (Z51) 09.10-						Convertible (Executive SUV-J Segment)				
3.5 4x4		Gasolina	4WD	3498	198	268	09.10-		■	
MURANO II (Z51) 10.07-09.14						SUV (Executive SUV-J Segment)				
2.5 (TZ51)		Gasolina	FWD	2488	125	170	09.08-09.14		■	
2.5 4x4 (TNZ51)		Gasolina	4WD	2488	125	170	09.08-09.14		■	
3.5		Gasolina	FWD	3498	172	234	11.07-		■	
3.5 4x4 (VQ35DE)		Gasolina	4WD	3498	183	249	12.10-09.14		■	
3.5		Gasolina	FWD	3498	188	256	10.08-12.09		■	
3.5 4x4 (VQ35DE)		Gasolina	4WD	3498	188	256	10.08-09.14		■	
3.5 (VQ35)		Gasolina	FWD	3498	191	260	01.11-09.14		■	
3.5 (VQ35DE)		Gasolina	FWD	3498	191	260	01.11-09.14		■	
3.5 4x4 (VQ35)		Gasolina	4WD	3498	191	260	12.09-09.14		■	
3.5 4x4 (VQ35DE)		Gasolina	4WD	3498	191	260	12.09-09.14		■	
3.5		Gasolina	FWD	3498	193	262	09.10-12.13		■	

LISTA DE APLICACIONES - BUYERS GUIDE

3.5 (VQ35DE)		Gasolina	FWD	3498	195	265	11.07-09.14	■	
3.5 4x4 (VQ35DE)		Gasolina	4WD	3498	195	265	11.07-09.14	■	
3.5 4x4 (VQ35DE)		Gasolina	4WD	3498	198	269	09.08-12.10	■	
2.5 dCi 4x4 (YD25DDTI)		Diesel	4WD	2488	140	190	01.10-09.14	■	
MURANO II VAN (Z51) 10.07-09.14							SUV Van (Executive SUV-J Segment)		
3.5 CVTC 4x4		Gasolina	4WD	3498	188	256	03.13-09.14	■	
2.5 dCi 4x4		Diesel	4WD	2488	140	190	03.13-09.14	■	
NP300 NAVARA II / FRONTIER (D40) 10.04-							Pickup (Pick-Up Truck)		
2.0	Rim 17	Gasolina	FWD	1998	84	114	08.08-	■	
2.4	Rim 17	Gasolina	FWD	2389	105	143	08.08-	■	
2.4 4x4	Rim 17	Gasolina	4WD	2389	105	143	08.08-	■	
2.4	Rim 17	Gasolina	FWD	2389	107	146	09.13-	■	
4.0 (VQ40)	Rim 17	Gasolina	RWD	3954	198	269	10.04-11.09	■	
4.0 4WD	Rim 17	Gasolina	4WD	3954	198	269	10.04-	■	
2.5 dCi (YD25DDTI)	Rim 17	Diesel	RWD	2488	98	133	04.08-	■	
2.5 dCi 4x4 (YD25DDTI)	Rim 17	Diesel	4WD	2488	98	133	04.08-	■	
2.5 dCi (YD25DDTI)	Rim 17	Diesel	RWD	2488	106	144	07.05-	■	
2.5 dCi 4WD (YD25DDTI)	Rim 17	Diesel	4WD	2488	106	144	01.07-	■	
2.5 dCi (YD25DDTI)	Rim 17	Diesel	RWD	2488	120	163	10.06-	■	
2.5 dCi 4x4	Rim 17	Diesel	4WD	2488	120	163	02.12-12.16	■	
2.5 dCi 4WD (YD25DDTI)	Rim 17	Diesel	4WD	2488	126	171	10.06-	■	
2.5 dCi (YD25DDTI)	Rim 17	Diesel	RWD	2488	128	174	12.05-	■	
2.5 dCi 4WD (YD25DDTI)	Rim 17	Diesel	4WD	2488	128	174	07.05-	■	
2.5 dCi	Rim 17	Diesel	RWD	2488	140	190	10.04-07.05	■	
2.5 dCi 4WD (D40TT, D40T, D40M, D40BB) (YD25DDTI)	Rim 17	Diesel	4WD	2488	140	190	12.09-	■	
2.8 D	Rim 17	Diesel	RWD	2798	101	137	10.04-	■	
2.8 TDI	Rim 17	Diesel	RWD	2798	103	140	01.05-09.08	■	
2.8 TDI	Rim 17	Diesel	RWD	2798	103	140	08.05-09.08	■	
3.0 dCi 4WD (V9X)	Rim 17	Diesel	4WD	2993	170	231	02.10-	■	
NP300 NAVARA II / FRONTIER (D40) 07.08-							Platform/Chassis (LCVs-N1 Segment)		
2.5 dCi	Rim 17	Diesel	RWD	2488	106	144	08.08-12.15	■	
2.5 dCi 4WD (YD25DDTI)	Rim 17	Diesel	4WD	2488	106	144	08.08-	■	
2.5 dCi 4WD (YD25DDTI)	Rim 17	Diesel	4WD	2488	126	171	08.08-	■	
2.5 dCi (YD25DDTI)	Rim 17	Diesel	4WD	2488	140	190	03.10-	■	
3.0 dCi (V9X)	Rim 17	Diesel	4WD	2993	170	231	03.10-	■	
PATHFINDER III / / TERRANO / ARMADA (R51) 01.05-							SUV (Executive SUV-J Segment)		
4.0	01/08-	Gasolina	RWD	3954	198	269	01.05-	■	
4.0 4WD (VQ40DE)	-01/10	Gasolina	4WD	3954	198	269	09.05-	■	
4.0 (VQ40DE)		Gasolina	RWD	3954	214	291	01.10-08.14	■	
2.5 dCi 4WD (YD25DDTI)		Diesel	4WD	2488	120	163	01.05-	■	
2.5 dCi 4WD (YD25DDTI)	Rim 17	Diesel	4WD	2488	126	171	10.06-	■	
2.5 dCi (YD25DDTI)	01/08-	Diesel	RWD	2488	128	174	01.05-01.10	■	
2.5 dCi 4WD (YD25DDTI)	Rim 17	Diesel	4WD	2488	128	174	01.05-01.10	■	
2.5 dCi	Rim 17	Diesel	RWD	2488	140	190	10.12-08.14	■	
2.5 dCi 4WD (YD25DDTI)	Rim 17	Diesel	4WD	2488	140	190	08.10-	■	
3.0 dCi (V9X)		Diesel	4WD	2993	170	231	08.10-	■	
PATHFINDER III VAN / / TERRANO / ARMADA (R51_) 01.05-							SUV Van (Executive SUV-J Segment)		
2.5 dCi 4x4 (R51M)		Diesel	4WD	2488	140	190	03.13-08.14	■	

LISTA DE APLICACIONES - BUYERS GUIDE

3.0 dCi 4x4 (R51M)		Diesel	4WD	2993	170	231	03.13-08.14	■	
QASHQAI / QASHQAI +2 I / DUALIS (J10, NJ10) 11.06-01.15					SUV (Compact SUV-J Segment)				
2.0 Alas 4 ruedas (MR20DE)	Long Wheelbase	Gasolina	4WD	1997	102	139	02.07-12.13	■	
2.0 Alas 4 ruedas	02/10-, Long Wheelbase	Gasolina	FWD	1997	103	140	02.07-	■	
2.0 Alas 4 ruedas		Gasolina	4WD	1997	103	140	01.10-04.14	■	
2.0 Alas 4 ruedas (MR20DE)	Long Wheelbase	Gasolina	4WD	1997	104	141	02.07-12.13	■	
1.6 dCi (R9M)		Diesel	FWD	1598	96	130	10.11-12.13	■	
1.6 dCi A las 4 ruedas (R9M)	Long Wheelbase	Diesel	4WD	1598	96	130	10.11-12.13	■	
2.0 dCi (M1D)	02/10-, Long Wheelbase	Diesel	FWD	1995	110	150	02.07-12.13	■	
2.0 dCi (M9R)	02/10-, Long Wheelbase	Diesel	FWD	1995	110	150	02.07-12.13	■	
2.0 dCi A las 4 ruedas (M1D)	02/10-, Long Wheelbase	Diesel	4WD	1995	110	150	02.07-12.13	■	
2.0 dCi A las 4 ruedas (M9R)	02/10-, Long Wheelbase	Diesel	4WD	1995	110	150	02.07-12.13	■	
QASHQAI / QASHQAI +2 I VAN (J10) 12.06-04.14					SUV Van (Compact SUV-J Segment)				
2.0 Alas 4 ruedas		Gasolina	4WD	1997	104	141	03.13-04.14	■	
1.6 dCi		Diesel	FWD	1598	96	131	03.13-04.14	■	
1.6 dCi A las 4 ruedas		Diesel	4WD	1598	96	131	03.13-04.14	■	
2.0 dCi A las 4 ruedas		Diesel	4WD	1995	110	150	03.13-04.14	■	
STAGEA (WC34) 09.96-10.01					Estate (Executive car-E Segment)				
2.5 Turbo AWD (WGNC34) (RB25DET)		Gasolina	4WD	2498	173	235	09.96-10.01	■	
NISSAN (DFAC)									
MURANO II (Z51) 09.11-					SUV (Executive SUV-J Segment)				
3.5		Gasolina	FWD	3498	228	310	09.11-	■	
RENAULT									
KOLEOS (HY_) 09.08-					SUV (Compact SUV-J Segment)				
2.0		Gasolina	FWD	1997	103	140	08.13-	■	
2.5 (HY0C, HY0N) (2TR 700)		Gasolina	FWD	2488	126	171	09.08-	■	
2.5 (HY0C, HY0N) (2TR 702)		Gasolina	FWD	2488	126	171	09.08-	■	
2.5 (HY0C, HY0N) (2TR 703)		Gasolina	FWD	2488	126	171	09.08-	■	
2.5 4x4 (HY0C, HY0N) (2TR 700)		Gasolina	4WD	2488	126	171	09.08-	■	
2.5 4x4 (HY0C, HY0N) (2TR 702)		Gasolina	4WD	2488	126	171	09.08-	■	
2.5 4x4 (HY0C, HY0N) (2TR 703)		Gasolina	4WD	2488	126	171	09.08-	■	
2.0 dCi (HY0K) (M9R 855)		Diesel	FWD	1995	110	150	09.08-	■	
2.0 dCi (HY0K) (M9R 856)		Diesel	FWD	1995	110	150	09.08-	■	
2.0 dCi (HY0K) (M9R 862)		Diesel	FWD	1995	110	150	09.08-	■	
2.0 dCi (HY0K) (M9R 865)		Diesel	FWD	1995	110	150	09.08-	■	
2.0 dCi (HY0K) (M9R 866)		Diesel	FWD	1995	110	150	09.08-	■	
2.0 dCi 4x4 (HY0K) (M9R 832)		Diesel	4WD	1995	110	150	09.08-	■	
2.0 dCi 4x4 (HY0K) (M9R 833)		Diesel	4WD	1995	110	150	09.08-	■	
2.0 dCi 4x4 (HY0K) (M9R 834)		Diesel	4WD	1995	110	150	09.08-	■	
2.0 dCi 4x4 (HY0K) (M9R 835)		Diesel	4WD	1995	110	150	09.08-	■	
2.0 dCi 4x4 (HY0K) (M9R 836)		Diesel	4WD	1995	110	150	09.08-	■	
2.0 dCi 4x4 (HY0K) (M9R 838)		Diesel	4WD	1995	110	150	09.08-	■	
2.0 dCi 4x4 (HY0K) (M9R 850)		Diesel	4WD	1995	110	150	09.08-	■	
2.0 dCi 4x4 (HY0K) (M9R 855)		Diesel	4WD	1995	110	150	09.08-	■	
2.0 dCi 4x4 (HY0K) (M9R 856)		Diesel	4WD	1995	110	150	09.08-	■	
2.0 dCi 4x4 (HY0K) (M9R 862)		Diesel	4WD	1995	110	150	09.08-	■	
2.0 dCi 4x4 (HY0K) (M9R 865)		Diesel	4WD	1995	110	150	09.08-	■	
2.0 dCi 4x4 (HY0K) (M9R 866)		Diesel	4WD	1995	110	150	09.08-	■	
2.0 dCi (M9R 865)		Diesel	FWD	1995	127	173	07.13-	■	

LISTA DE APLICACIONES - BUYERS GUIDE

2.0 dCi 4x4 (HY0B) (M9R 830)	Diesel	4WD	1995	127	173	09.08-	■
2.0 dCi	Diesel	RWD	1995	130	177	09.08-	■
2.0 dCi 4x4 (M9R 830)	Diesel	4WD	1995	130	177	09.08-03.13	■

RENAULT SAMSUNG

QM5 12.06-				Closed Off-Road Vehicle (Compact SUV-J Segment)			
2.0 dCi	Diesel	RWD	1995	127	173	09.07-	■

SAMSUNG

QM5 12.06-				SUV (Compact SUV-J Segment)			
2.5	Gasolina	FWD	2488	126	171	12.06-	■
2.5	Gasolina	FWD	2488	126	171	12.06-	■
2.0 dCi	Diesel	FWD	1995	110	150	12.06-	■
2.0 dCi	Diesel	RWD	1995	110	150	12.06-	■
2.0 dCi (M9R 760)	Diesel	FWD	1995	127	173	12.06-	■
2.0 dCi	Diesel	RWD	1995	127	173	12.06-	■