

LISTA DE APLICACIONES - BUYERS GUIDE

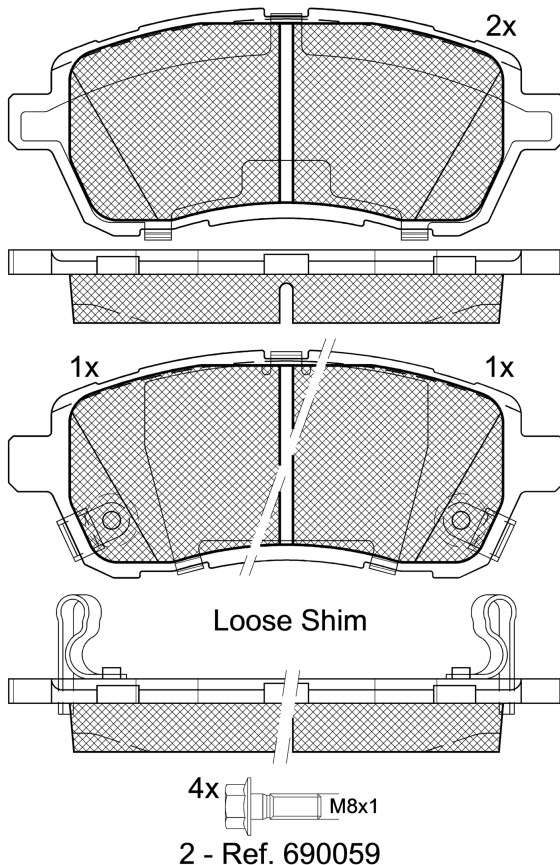
181881



Qty: 300

Weight: 1.320

O.E.M.	MAKE
04465-B1320	DAIHATSU
04465-B1320-000	DAIHATSU
1 550 219	FORD
1 676 630	FORD
1 719 275	FORD
1 749 322	FORD
1 788 734	FORD
1 848 518	FORD AUSTRALIA
1 855 307	FORD
6G91-2MM08-GA	FORD
6G91-2MM08-GB	FORD
8V51-2K021-AA	MAZDA
8V51-2K021-AB	FORD
8V51-2K021-BA	FORD
8V51-2K021-BB	FORD
8V51-2K021-CA	FORD
8V51-KK021-CA	FORD
AE8Z-2001-A	FORD
AE8Z-2001-B	FORD USA
AE8Z-2001-C	FORD
DFY1-33-28Z	MAZDA
MAE8Z-2001-C	FORD
ME6GJ-2M008-GA	FORD
ME8V5J-2K021-AA	FORD
ME8V5J-2K021-AB	FORD



181881

E 9 90R-01111/2436



Lucas - Girling

125.6x51.5x17.1

WVA	FMSI
24283	D1454-8653
24284	
24285	

MAKE
DAIHATSU
FORD
FORD ASIA & OCEANIA
FORD AUSTRALIA
MAZDA
SUBARU
TOYOTA



Trac.	CC	Kw	CV	Hourglass	Front / Rear

DAIHATSU

SIRION II / BOON (M3_) 01.05-						Hatchback (Supermini car-B Segment)			
1.0 (M300) (1KR-FE)		Gasolina	FWD	998	51	70	01.05-06.13	■	
1.3 (M301) (K3-VE)		Gasolina	FWD	1298	64	87	01.05-	■	
1.3 (M301) (K3-VE)		Gasolina	FWD	1298	67	91	03.08-	■	
1.3 4WD (K3-VE)		Gasolina	4WD	1298	67	91	03.08-	■	
1.5 (M303) (3SZ-VE)		Gasolina	FWD	1495	76	103	03.08-	■	
1.0 LPG (1KR-FE)		Gasol./G as (LPG)	FWD	998	51	70	01.05-06.13	■	

THOR (M900S, M910S) 11.16-						MPV (Mini MPV-M1 Segment)			
1.0		Gasolina	FWD	998	51	69	11.16-	■	
1.0 4WD		Gasolina	FWD	998	51	69	11.16-	■	
1.0		Gasolina	FWD	998	72	98	11.16-	■	

FORD

FIESTA V / IKON (JH_, JD_) 11.01-12.14						Hatchback (Supermini car-B Segment)			
1.6	drum brak.rear axle	Gasolina	FWD	1597	70	95	06.08-12.11	■	

FIESTA V / IKON 09.00-12.14						Saloon (Supermini car-B Segment)			
1596 (C16HDEX)		Gasol./Et anol	FWD	1596	94	128	04.15-04.17	■	

FIESTA VI (B299) 08.08-						Hatchback Van (LCVs-N1 Segment)			
1.0 (XMJA)	drum brak.rear axle	Gasolina	FWD	998	48	65	01.13-04.17	■	
1.0 (XMJB)	drum brak.rear axle	Gasolina	FWD	998	48	65	01.13-04.17	■	
1.0 (XMJC)	drum brak.rear axle	Gasolina	FWD	998	48	65	01.13-04.17	■	
1.0 (XMJD)	drum brak.rear axle	Gasolina	FWD	998	48	65	01.13-04.17	■	

LISTA DE APLICACIONES - BUYERS GUIDE

1.0 (P4JA)	drum brak.rear axle	Gasolina	FWD	998	59	80	10.12-04.17	■	
1.0 (P4JB)	drum brak.rear axle	Gasolina	FWD	998	59	80	10.12-04.17	■	
1.0 (P4JC)	drum brak.rear axle	Gasolina	FWD	998	59	80	10.12-04.17	■	
1.0 (P4JD)	drum brak.rear axle	Gasolina	FWD	998	59	80	10.12-04.17	■	
1.0 EcoBoost (SFJA)	drum brak.rear axle	Gasolina	FWD	998	74	100	01.13-04.17	■	
1.0 EcoBoost (SFJB)	drum brak.rear axle	Gasolina	FWD	998	74	100	01.13-04.17	■	
1.0 EcoBoost (SFJC)	drum brak.rear axle	Gasolina	FWD	998	74	100	01.13-04.17	■	
1.0 EcoBoost (SFJD)	drum brak.rear axle	Gasolina	FWD	998	74	100	01.13-04.17	■	
1.0 EcoBoost (M1JE)	drum brak.rear axle	Gasolina	FWD	998	92	125	09.12-04.17	■	
1.0 EcoBoost (M1JH)	drum brak.rear axle	Gasolina	FWD	998	92	125	09.12-04.17	■	
1.0 EcoBoost (YYJA)	drum brak.rear axle	Gasolina	FWD	998	103	140	05.14-04.17	■	
1.0 EcoBoost (YYJB)	drum brak.rear axle	Gasolina	FWD	998	103	140	05.14-04.17	■	
1.25 (STJA)		Gasolina	FWD	1242	44	60	08.08-12.12	■	
1.25 (STJB)		Gasolina	FWD	1242	44	60	08.08-12.12	■	
1.25 (SNJA)	drum brak.rear axle	Gasolina	FWD	1242	60	82	01.09-04.17	■	
1.25 (SNJB)	drum brak.rear axle	Gasolina	FWD	1242	60	82	01.09-04.17	■	
1.25 (SNJC)	drum brak.rear axle	Gasolina	FWD	1242	60	82	01.09-04.17	■	
1.25 (SNJD)	drum brak.rear axle	Gasolina	FWD	1242	60	82	01.09-04.17	■	
1.4 (SPJA)		Gasolina	FWD	1388	71	97	10.08-12.12	■	
1.4 (SPJC)		Gasolina	FWD	1388	71	97	10.08-12.12	■	
1.6 Ti-VCT (HXJA)		Gasolina	FWD	1596	88	120	10.08-12.12	■	
1.6 Ti-VCT (HXJB)		Gasolina	FWD	1596	88	120	10.08-12.12	■	
1.6 ST (JTJA)	drum brak.rear axle	Gasolina	FWD	1596	134	182	03.13-04.17	■	
1.6 ST (JTJB)	drum brak.rear axle	Gasolina	FWD	1596	134	182	03.13-04.17	■	
1.4 TDCi (F6JB)	drum brak.rear axle	Diesel	FWD	1399	50	68	01.09-04.17	■	
1.4 TDCi (F6JD)	drum brak.rear axle	Diesel	FWD	1399	50	68	01.09-04.17	■	
1.4 TDCi (F6JD)	drum brak.rear axle	Diesel	FWD	1399	51	70	07.10-04.17	■	
1.4 TDCi (KVJA)	drum brak.rear axle	Diesel	FWD	1399	51	70	07.10-04.17	■	
1.5 TDCi (UGJC)	drum brak.rear axle	Diesel	FWD	1499	55	75	10.12-04.17	■	
1.5 TDCi (XUJA)	drum brak.rear axle	Diesel	FWD	1499	55	75	10.12-04.17	■	
1.5 TDCi (XUJB)	drum brak.rear axle	Diesel	FWD	1499	55	75	10.12-04.17	■	
1.5 TDCi (XVJB)	drum brak.rear axle	Diesel	FWD	1499	70	95	05.15-04.17	■	
1.5 TDCi (XVJC)	drum brak.rear axle	Diesel	FWD	1499	70	95	05.15-04.17	■	
1.6 TDCi (HHJC)	drum brak.rear axle	Diesel	FWD	1560	66	90	01.09-04.17	■	
1.6 TDCi (HHJD)	drum brak.rear axle	Diesel	FWD	1560	66	90	01.09-04.17	■	
1.6 TDCi (HHJE)	drum brak.rear axle	Diesel	FWD	1560	66	90	01.09-04.17	■	
1.6 TDCi (T3JA)	drum brak.rear axle	Diesel	FWD	1560	70	95	02.10-05.15	■	
1.6 TDCi (TZJA)	drum brak.rear axle	Diesel	FWD	1560	70	95	02.10-05.15	■	
1.6 TDCi (TZJB)	drum brak.rear axle	Diesel	FWD	1560	70	95	02.10-05.15	■	
FIESTA VI (CB1, CCN) 06.08-							Hatchback (Supermini car-B Segment)		
1.0 (XMJA)	drum brak.rear axle	Gasolina	FWD	998	48	65	01.13-04.17	■	
1.0 (XMJB)	drum brak.rear axle	Gasolina	FWD	998	48	65	01.13-04.17	■	
1.0 (XMJC)	drum brak.rear axle	Gasolina	FWD	998	48	65	01.13-04.17	■	
1.0 (XMJD)	drum brak.rear axle	Gasolina	FWD	998	48	65	01.13-04.17	■	
1.0 (P4JA)	drum brak.rear axle	Gasolina	FWD	998	59	80	10.12-04.17	■	
1.0 (P4JB)	drum brak.rear axle	Gasolina	FWD	998	59	80	10.12-04.17	■	
1.0 (P4JC)	drum brak.rear axle	Gasolina	FWD	998	59	80	10.12-04.17	■	
1.0 (P4JD)	drum brak.rear axle	Gasolina	FWD	998	59	80	10.12-04.17	■	
1.0 EcoBoost (SFJA)	drum brak.rear axle	Gasolina	FWD	998	74	100	01.13-04.17	■	
1.0 EcoBoost (SFJB)	drum brak.rear axle	Gasolina	FWD	998	74	100	01.13-04.17	■	
1.0 EcoBoost (SFJC)	drum brak.rear axle	Gasolina	FWD	998	74	100	01.13-04.17	■	

LISTA DE APLICACIONES - BUYERS GUIDE

1.0 EcoBoost (SFJD)	drum brak.rear axle	Gasolina	FWD	998	74	100	01.13-04.17	■
1.0 EcoBoost (M1JE)	drum brak.rear axle	Gasolina	FWD	998	92	125	09.12-04.17	■
1.0 EcoBoost (M1JH)	drum brak.rear axle	Gasolina	FWD	998	92	125	09.12-04.17	■
1.0 Sport (YYJA)	drum brak.rear axle	Gasolina	FWD	998	103	140	05.14-04.17	■
1.0 Sport (YYJB)	drum brak.rear axle	Gasolina	FWD	998	103	140	05.14-04.17	■
1.0	drum brak.rear axle	Gasolina	FWD	999	51	69	04.10-	■
1.0 Flex		Gasolina	FWD	999	51	69	04.10-	■
1.0 Flex	drum brak.rear axle	Gasolina	FWD	999	54	73	04.10-	■
1.25 (STJA)	drum brak.rear axle	Gasolina	FWD	1242	44	60	06.08-04.17	■
1.25 (STJB)	drum brak.rear axle	Gasolina	FWD	1242	44	60	06.08-04.17	■
1.25 (STJC)	drum brak.rear axle	Gasolina	FWD	1242	44	60	06.08-04.17	■
1.25 (STJD)	drum brak.rear axle	Gasolina	FWD	1242	44	60	06.08-04.17	■
1.25 (SNJA)	drum brak.rear axle	Gasolina	FWD	1242	60	82	06.08-04.17	■
1.25 (SNJB)	drum brak.rear axle	Gasolina	FWD	1242	60	82	06.08-04.17	■
1.25 (SNJC)	drum brak.rear axle	Gasolina	FWD	1242	60	82	06.08-04.17	■
1.25 (SNJD)	drum brak.rear axle	Gasolina	FWD	1242	60	82	06.08-04.17	■
1.4 (RTJA)	drum brak.rear axle	Gasolina	FWD	1388	71	97	10.08-04.17	■
1.4 (RTJB)	drum brak.rear axle	Gasolina	FWD	1388	71	97	10.08-04.17	■
1.4 (SPJA)	drum brak.rear axle	Gasolina	FWD	1388	71	97	10.08-04.17	■
1.4 (SPJC)	drum brak.rear axle	Gasolina	FWD	1388	71	97	10.08-04.17	■
1.4 (SPJE)	drum brak.rear axle	Gasolina	FWD	1388	71	97	10.08-04.17	■
1.5 Duratec	drum brak.rear axle	Gasolina	FWD	1498	82	112	09.15-	■
1.5		Gasolina	FWD	1499	81	110	09.11-	■
1.6 (XTJA)		Gasolina	FWD	1596	62	85	03.15-04.17	■
1.6 Ti (IQJA)	drum brak.rear axle	Gasolina	FWD	1596	77	105	09.12-04.17	■
1.6 Ti (IQJC)	drum brak.rear axle	Gasolina	FWD	1596	77	105	09.12-04.17	■
1.6 Ti (IQJE)	drum brak.rear axle	Gasolina	FWD	1596	77	105	09.12-04.17	■
1.6	drum brak.rear axle	Gasolina	FWD	1596	81	110	09.10-	■
1.6 (C16HDEX)		Gasolina	FWD	1596	81	110	06.10-	■
1.6 Flexfuel	drum brak.rear axle	Gasolina	FWD	1596	85	116	06.10-	■
1.6 Ti (HXJA)	drum brak.rear axle	Gasolina	FWD	1596	88	120	06.08-01.18	■
1.6 Ti (HXJB)	drum brak.rear axle	Gasolina	FWD	1596	88	120	06.08-01.18	■
1.6 Ti (HXJE)	drum brak.rear axle	Gasolina	FWD	1596	88	120	06.08-01.18	■
1.6 (HXJA)		Gasolina	FWD	1596	89	121	10.10-04.17	■
1.6 Ti (U5JA)	drum brak.rear axle	Gasolina	FWD	1596	99	134	12.10-04.17	■
1.6 ST (JTJA)	drum brak.rear axle	Gasolina	FWD	1596	134	182	03.13-04.17	■
1.6 ST (JTJB)	drum brak.rear axle	Gasolina	FWD	1596	134	182	03.13-04.17	■
1.6 ST200 (JTJC)	drum brak.rear axle	Gasolina	FWD	1596	147	200	04.16-04.17	■
1.6	drum brak.rear axle	Gasolina	FWD	1597	72	98	04.10-	■
1.6	Eq.V_ WARRANTY ELIGIBLE, drum brak.rear axle	Gasolina	FWD	1597	90	122	01.11-04.17	■
1.6 (C16HDEX)		Gasolina	FWD	1597	93	126	06.16-	■
1.6 Flex	drum brak.rear axle	Gasolina	FWD	1598	74	101	04.10-	■
1.4 LPG (RTJA)	drum brak.rear axle	Gasol./G as (LPG)	FWD	1388	68	92	01.09-04.17	■
1.4 LPG (RTJB)	drum brak.rear axle	Gasol./G as (LPG)	FWD	1388	68	92	01.09-04.17	■
1.4 LPG (RTJD)	drum brak.rear axle	Gasol./G as (LPG)	FWD	1388	68	92	01.09-04.17	■
1.4 LPG (RTJA)	drum brak.rear axle	Gasol./G as (LPG)	FWD	1388	71	97	01.09-04.17	■
1.4 LPG (RTJB)	drum brak.rear axle	Gasol./G as (LPG)	FWD	1388	71	97	01.09-04.17	■
1.4 LPG (RTJD)	drum brak.rear axle	Gasol./G as (LPG)	FWD	1388	71	97	01.09-04.17	■

LISTA DE APLICACIONES - BUYERS GUIDE

1.4 LPG (SPJA)	drum brak.rear axle	Gasol./Gas (LPG)	FWD	1388	71	97	01.09-04.17	■	
1.4 LPG (SPJC)	drum brak.rear axle	Gasol./Gas (LPG)	FWD	1388	71	97	01.09-04.17	■	
1.4 LPG (SPJE)	drum brak.rear axle	Gasol./Gas (LPG)	FWD	1388	71	97	01.09-04.17	■	
1.5 S, SE FLeX		Gasol./Etanol	FWD	1499	82	112	05.13-	■	
1.6 Flex (C16HDEX)		Gasol./Etanol	FWD	1596	94	128	05.13-12.19	■	
1.6 Flex (C16HDEX)		Gasol./Etanol	FWD	1597	93	130	05.13-03.15	■	
1.4 TDCi (F6JB)	drum brak.rear axle	Diesel	FWD	1399	50	68	08.08-09.12	■	
1.4 TDCi (F6JD)	drum brak.rear axle	Diesel	FWD	1399	50	68	08.08-09.12	■	
1.4 TDCi (F6JD)	drum brak.rear axle	Diesel	FWD	1399	51	70	07.10-09.12	■	
1.4 TDCi (KVJA)	drum brak.rear axle	Diesel	FWD	1399	51	70	07.10-09.12	■	
1.5 TDCi (UGJC)	drum brak.rear axle	Diesel	FWD	1499	55	75	09.12-04.17	■	
1.5 TDCi (XUJA)	drum brak.rear axle	Diesel	FWD	1499	55	75	09.12-04.17	■	
1.5 TDCi (XUJB)	drum brak.rear axle	Diesel	FWD	1499	55	75	09.12-04.17	■	
1.5 TDCi (XVJB)	drum brak.rear axle	Diesel	FWD	1499	70	95	05.15-04.17	■	
1.5 TDCi (XVJC)	drum brak.rear axle	Diesel	FWD	1499	70	95	05.15-04.17	■	
1.6 TDCi (HHJF)	drum brak.rear axle	Diesel	FWD	1560	55	75	06.08-12.12	■	
1.6 TDCi (UBJA)	drum brak.rear axle	Diesel	FWD	1560	55	75	06.08-12.12	■	
1.6 TDCi (HHJC)	drum brak.rear axle	Diesel	FWD	1560	66	90	06.08-12.12	■	
1.6 TDCi (HHJD)	drum brak.rear axle	Diesel	FWD	1560	66	90	06.08-12.12	■	
1.6 TDCi (HHJE)	drum brak.rear axle	Diesel	FWD	1560	66	90	06.08-12.12	■	
1.6 TDCi (T3JA)	drum brak.rear axle	Diesel	FWD	1560	70	95	02.10-12.15	■	
1.6 TDCi (TZJA)	drum brak.rear axle	Diesel	FWD	1560	70	95	02.10-12.15	■	
1.6 TDCi (TZJB)	drum brak.rear axle	Diesel	FWD	1560	70	95	02.10-12.15	■	
FIESTA VI (B299) 04.10-							Saloon (Supermini car-B Segment)		
1.0 Flex	drum brak.rear axle	Gasolina	FWD	999	51	69	04.10-	■	
1.0 Flex	drum brak.rear axle	Gasolina	FWD	999	54	73	04.10-	■	
Titanium Plus Ecoboost		Gasolina	FWD	999	92	125	09.13-	■	
1.25	drum brak.rear axle	Gasolina	FWD	1242	44	60	10.12-	■	
1.4	drum brak.rear axle	Gasolina	FWD	1388	70	95	10.10-04.17	■	
1.5 Duratec	drum brak.rear axle	Gasolina	FWD	1498	82	112	09.15-	■	
1.6 (XTJA)		Gasolina	FWD	1596	62	85	03.15-04.17	■	
1.6 Ti (IQJA)		Gasolina	FWD	1596	77	105	03.15-04.17	■	
1.6 Ti (IQJC)		Gasolina	FWD	1596	77	105	03.15-04.17	■	
1.6 Ti (IQJE)		Gasolina	FWD	1596	77	105	03.15-04.17	■	
1.6 Flex	drum brak.rear axle	Gasolina	FWD	1596	79	107	04.10-	■	
1.6	drum brak.rear axle	Gasolina	FWD	1596	81	110	09.10-04.17	■	
1.6 Flex	drum brak.rear axle	Gasolina	FWD	1596	85	116	06.10-	■	
1.6 Ti (HXJA)	drum brak.rear axle	Gasolina	FWD	1596	88	120	04.10-04.17	■	
1.6 Ti (HXJB)	drum brak.rear axle	Gasolina	FWD	1596	88	120	04.10-04.17	■	
1.6 Ti (HXJE)	drum brak.rear axle	Gasolina	FWD	1596	88	120	04.10-04.17	■	
1.6	drum brak.rear axle	Gasolina	FWD	1596	89	121	10.10-	■	
1.6 Flex	drum brak.rear axle	Gasolina	FWD	1596	96	130	11.14-	■	
1.6	drum brak.rear axle	Gasolina	FWD	1597	72	98	04.10-	■	
1.6 Flex	drum brak.rear axle	Gasolina	FWD	1598	74	101	04.10-	■	
1.6 Flex	drum brak.rear axle	Gasolina	FWD	1598	79	107	04.10-	■	
1.6 TDCi	drum brak.rear axle	Diesel	RWD	1560	66	90	10.10-	■	

FORD ASIA & OCEANIA

LISTA DE APLICACIONES - BUYERS GUIDE

FIESTA 07.09-					Saloon (Supermini car-B Segment)			
1.5		Gasolina	FWD	1499	81	109	07.09-	■
FORD AUSTRALIA								
FIESTA (WS) 10.08-					Hatchback (Supermini car-B Segment)			
1.0 EcoBoost		Gasolina	FWD	998	92	125	09.13-	■
1.4 i		Gasolina	FWD	1388	71	97	10.09-12.10	■
1.5		Gasolina	FWD	1499	82	112	05.13-	■
1.6 i (HXJA)		Gasolina	FWD	1596	88	120	10.08-12.10	■
1.6 i		Gasolina	FWD	1596	89	121	10.10-	■
1.6 ST		Gasolina	FWD	1596	134	182	09.13-	■
1.6 TD		Diesel	RWD	1560	66	90	10.10-	■
1.6 TDCi		Diesel	RWD	1560	66	90	01.09-12.10	■
FIESTA (WT) 10.10-					Saloon (Supermini car-B Segment)			
1.6 i		Gasolina	FWD	1596	89	121	10.10-	■
1.6 TD		Diesel	RWD	1560	66	90	10.10-	■
MAZDA								
2 III / DEMIO (DE_, DH_) 07.07-06.15					Hatchback (Supermini car-B Segment)			
1.3	01/11-	Gasolina	FWD	1295	55	75	09.10-	■
1.3	01/11-	Gasolina	FWD	1295	63	86	09.10-	■
1.3 (DE3FS) (ZJ46)		Gasolina	FWD	1349	55	75	10.07-06.15	■
1.3 MZR (DE3FS) (ZJ46)		Gasolina	FWD	1349	62	84	01.10-06.15	■
1.3 MZR (DE3FS) (ZJ-VE)		Gasolina	FWD	1349	62	84	01.10-06.15	■
1.3 (DE3FS) (ZJ46)		Gasolina	FWD	1349	63	86	10.07-06.15	■
1.5	01/11-	Gasolina	FWD	1495	76	103	09.10-	■
1.5 MZR (DE5FS) (ZY05)		Gasolina	FWD	1498	75	102	06.11-06.15	■
1.5 MZR (DE5FS) (ZY66)		Gasolina	FWD	1498	75	102	06.11-06.15	■
1.5 (DE5FS) (ZY66)		Gasolina	FWD	1498	76	103	07.07-06.15	■
1.5 (DE5FS) (ZY84)		Gasolina	FWD	1498	76	103	07.07-06.15	■
1.5 (DE5FS, DE10Y) (ZY-VE)		Gasolina	FWD	1498	83	113	10.07-06.15	■
1.3 BiFuel (ZJ-46)		Gasol./Gas (LPG)	FWD	1349	55	75	05.11-11.14	■
1.3 BiFuel (ZJ-46)		Gasol./Gas (LPG)	FWD	1349	62	84	05.11-11.14	■
1.5 Flex (ZY05)		Gasol./Etanol	FWD	1498	73	103	05.10-11.14	■
1.4 MZR-CD	01/11-	Diesel	RWD	1395	50	68	09.10-	■
1.4 MZR-CD (Y404)		Diesel	FWD	1399	50	68	10.07-12.10	■
1.6 MZ-CD (Y406)		Diesel	FWD	1560	66	90	10.08-06.15	■
1.6 MZ-CD (Y646)		Diesel	FWD	1560	66	90	10.08-06.15	■
1.6 MZ-CD (Y655)		Diesel	FWD	1560	70	95	06.11-06.15	■
1.6 MZ-CD (Y661)		Diesel	FWD	1560	70	95	06.11-06.15	■
1.6 MZ-CD	01/11-	Diesel	RWD	1595	66	90	09.10-	■
2 III / DEMIO (DE_) 05.10-06.15					Saloon (Supermini car-B Segment)			
1.3		Gasolina	FWD	1349	63	86	05.10-	■
1.5 i (ZY-DE)		Gasolina	FWD	1498	76	103	05.10-06.15	■
1.5 Flex (ZY05)		Gasol./Etanol	FWD	1498	76	103	05.10-02.15	■
SUBARU								
JUSTY IV 01.07-					Hatchback (Supermini car-B Segment)			
1.0 (M300) (1KR-FE)		Gasolina	FWD	998	51	69	01.07-	■

LISTA DE APLICACIONES - BUYERS GUIDE

1.3 AWD (K3-VE)	Gasolina	4WD	1298	67	91	03.08-	■
1.0 Bifuel (1KR-FE)	Gasol./Gas (LPG)	FWD	998	51	69	09.07-03.12	■
TOYOTA							
PASSO (_NC1_, _XC1_) 06.05-01.10					Hatchback (Supermini car-B Segment)		
1.3	Gasolina	FWD	1329	70	95	01.08-01.10	■
TANK / ROOMY (M9_) 11.16-					MPV (Mini MPV-M1 Segment)		
1.0 (M900A_,M900A) (1KR-FE)	Gasolina	FWD	998	51	69	11.16-	■
1.0 (M910A_,M910A) (1KR-FE)	Gasolina	4WD	998	51	69	11.16-	■
1.0 (M900A_,M900A) (1KR-VET)	Gasolina	FWD	998	72	98	11.16-	■
1.0 (M910A_,M910A) (1KR-VET)	Gasolina	4WD	998	72	98	11.16-	■
VERSO S / RACTIS (_P12_) 11.10-10.16					MPV (Mini MPV-M1 Segment)		
1.33 (NSP120_, NSP120R, NSP122R)	Gasolina	FWD	1329	70	95	11.10-10.16	■