

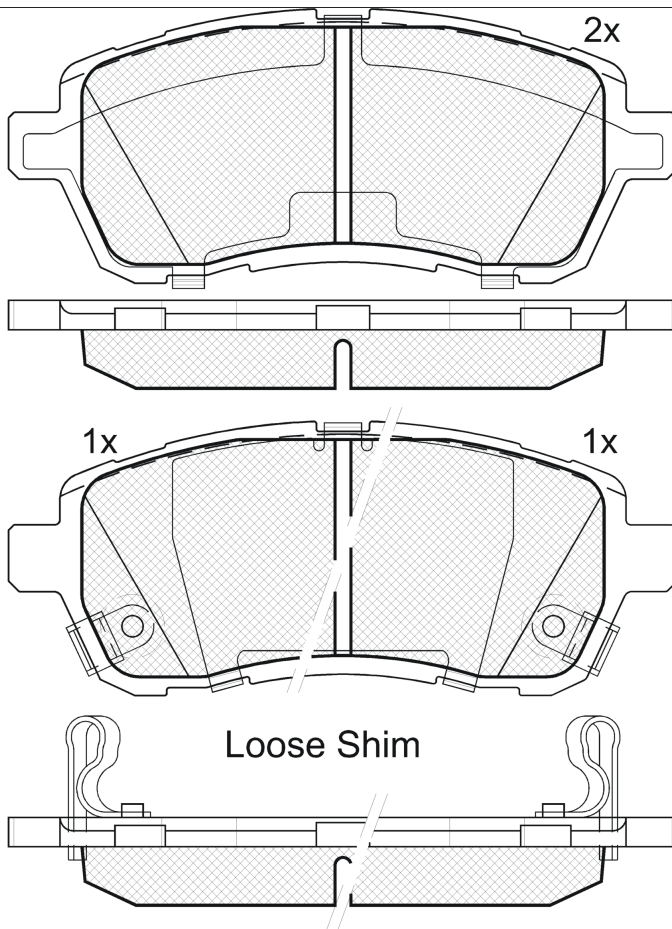
LISTA DE APLICACIONES - BUYERS GUIDE

181881-200



Qty: 300

Weight: 1.260



181881-200

E 9 90R-01111/2189



Lucas - Girling

125.5x51.5x15.9

O.E.M.	MAKE
04465-1320-000	DAIHATSU
04465B1120	DAIHATSU
04465-B1120	DAIHATSU
04465-B1120-000	DAIHATSU
04465-B1190	DAIHATSU
04465-B1190-000	DAIHATSU
04465-B1191	DAIHATSU
04465B1320	DAIHATSU
04465B1320000	DAIHATSU
04465B1380	DAIHATSU
04491B1120	DAIHATSU
04491B1121	DAIHATSU
55810-52R50	SUZUKI
55810-52R51	SUZUKI
55810-60M00	SUZUKI
55810-68L00	SUZUKI
55810-68L00-000	SUZUKI
55810-68L50	SUZUKI
55810-68R10	SUZUKI
55810-B58M5-0N00	MARUTI SUZUKI
BV6Z2V200A	FORD
DFY13328Z	DAIHATSU
DFY13328ZA	MAZDA
DFY13328ZA9C	MAZDA
DGY03328Z	FORD

WVA	FMSI
24675	D1454-8948
24676	
24677	
26239	
26240	

MAKE
CHANGAN
DAIHATSU
FORD
FORD ASIA & OCEANIA
FORD AUSTRALIA
MARUTI SUZUKI
MAZDA
MAZDA (CHANGAN)
OSHAN
PROTON
SUBARU
SUZUKI
TOYOTA



Trac.	CC	Kw	CV
-------	----	----	----



Front / Rear

CHANGAN

BENNI II 01.14-				Hatchback (City car-A Segment)			
EC260 Electric	Eléctrico	FWD		30	41	10.18-	■
EV	Eléctrico	FWD		55	75	11.16-	■

CS15 04.16-				SUV ()			
1.5	Gasolina	FWD	1480	79	107	04.16-	■

DAIHATSU

MATERIA (M4_) 10.06-				MPV (Mini MPV-M1 Segment)			
1.0	Gasolina	FWD	989	40	54	10.06-	■
1.0 DVVT	Gasolina	FWD	989	43	58	10.06-	■
1.3 (K3-VE)	Gasolina	FWD	1298	67	91	10.06-	■
1.3 DVVT Turbo	Gasolina	FWD	1298	95	129	10.06-	■
1.5 (3SZ-VE)	Gasolina	FWD	1495	76	103	10.06-	■
1.5 ECO 4WD (3SZ-VE)	Gasolina	4WD	1495	76	103	10.06-	■
1.5 LPG (3SZ-VE)	Gasol./Gas (LPG)	FWD	1495	76	103	01.10-12.11	■

SIRION II / BOON (M3_) 01.05-				Hatchback (Supermini car-B Segment)				
1.0 (M300) (1KR-FE)	Rim 14	Gasolina	FWD	998	51	70	01.05-06.13	■
1.0 DVVT 4WD (1KR-FE)	Rim 14, 07/17-	Gasolina	4WD	998	51	69	04.05-	■
1.3 (M301) (K3-VE)	Rim 14, 07/17-	Gasolina	FWD	1298	64	87	01.05-	■
1.5		Gasolina	FWD	1495	76	103	05.06-10.08	■
1.5 (M303) (3SZ-VE)		Gasolina	FWD	1495	76	103	03.08-	■
1.0 LPG (1KR-FE)	Rim 14	Gasol./Gas (LPG)	FWD	998	51	70	01.05-06.13	■

FORD

LISTA DE APLICACIONES - BUYERS GUIDE

FIESTA V / IKON 09.00-12.14					Saloon (Supermini car-B Segment)			
1596 (C16HDEX)		Gasol./Etanol	FWD	1596	94	128	04.15-04.17	■
FIESTA VI (B299) 08.08-					Hatchback Van (LCVs-N1 Segment)			
1.0 (XMJA)		Gasolina	FWD	998	48	65	01.13-04.17	■
1.0 (XMJB)		Gasolina	FWD	998	48	65	01.13-04.17	■
1.0 (XMJC)		Gasolina	FWD	998	48	65	01.13-04.17	■
1.0 (XMJD)		Gasolina	FWD	998	48	65	01.13-04.17	■
1.0 (P4JA)		Gasolina	FWD	998	59	80	10.12-04.17	■
1.0 (P4JB)		Gasolina	FWD	998	59	80	10.12-04.17	■
1.0 (P4JC)		Gasolina	FWD	998	59	80	10.12-04.17	■
1.0 (P4JD)		Gasolina	FWD	998	59	80	10.12-04.17	■
1.0 EcoBoost (SFJA)		Gasolina	FWD	998	74	100	01.13-04.17	■
1.0 EcoBoost (SFJB)		Gasolina	FWD	998	74	100	01.13-04.17	■
1.0 EcoBoost (SFJC)		Gasolina	FWD	998	74	100	01.13-04.17	■
1.0 EcoBoost (SFJD)		Gasolina	FWD	998	74	100	01.13-04.17	■
1.0 EcoBoost (M1JE)		Gasolina	FWD	998	92	125	09.12-04.17	■
1.0 EcoBoost (M1JH)		Gasolina	FWD	998	92	125	09.12-04.17	■
1.0 EcoBoost (YYJA)		Gasolina	FWD	998	103	140	05.14-04.17	■
1.0 EcoBoost (YYJB)		Gasolina	FWD	998	103	140	05.14-04.17	■
1.25 (STJA)		Gasolina	FWD	1242	44	60	08.08-12.12	■
1.25 (STJB)		Gasolina	FWD	1242	44	60	08.08-12.12	■
1.25 (SNJA)		Gasolina	FWD	1242	60	82	01.09-04.17	■
1.25 (SNJB)		Gasolina	FWD	1242	60	82	01.09-04.17	■
1.25 (SNJC)		Gasolina	FWD	1242	60	82	01.09-04.17	■
1.25 (SNJD)		Gasolina	FWD	1242	60	82	01.09-04.17	■
1.4 (SPJA)		Gasolina	FWD	1388	71	97	10.08-12.12	■
1.4 (SPJC)		Gasolina	FWD	1388	71	97	10.08-12.12	■
1.6 Ti-VCT (HXJA)		Gasolina	FWD	1596	88	120	10.08-12.12	■
1.6 Ti-VCT (HXJB)		Gasolina	FWD	1596	88	120	10.08-12.12	■
1.4 TDCi (F6JB)		Diesel	FWD	1399	50	68	01.09-04.17	■
1.4 TDCi (F6JD)		Diesel	FWD	1399	50	68	01.09-04.17	■
1.4 TDCi (F6JD)		Diesel	FWD	1399	51	70	07.10-04.17	■
1.4 TDCi (KVJA)		Diesel	FWD	1399	51	70	07.10-04.17	■
1.5 TDCi (UGJC)		Diesel	FWD	1499	55	75	10.12-04.17	■
1.5 TDCi (XUJA)		Diesel	FWD	1499	55	75	10.12-04.17	■
1.5 TDCi (XUJB)		Diesel	FWD	1499	55	75	10.12-04.17	■
1.5 TDCi (XVJB)		Diesel	FWD	1499	70	95	05.15-04.17	■
1.5 TDCi (XVJC)		Diesel	FWD	1499	70	95	05.15-04.17	■
1.6 TDCi (HHJC)		Diesel	FWD	1560	66	90	01.09-04.17	■
1.6 TDCi (HHJD)		Diesel	FWD	1560	66	90	01.09-04.17	■
1.6 TDCi (HHJE)		Diesel	FWD	1560	66	90	01.09-04.17	■
1.6 TDCi (T3JA)		Diesel	FWD	1560	70	95	02.10-05.15	■
1.6 TDCi (TZJA)		Diesel	FWD	1560	70	95	02.10-05.15	■
1.6 TDCi (TZJB)		Diesel	FWD	1560	70	95	02.10-05.15	■
FIESTA VI (CB1, CCN) 06.08-					Hatchback (Supermini car-B Segment)			
1.0 (XMJA)		Gasolina	FWD	998	48	65	01.13-04.17	■
1.0 (XMJB)		Gasolina	FWD	998	48	65	01.13-04.17	■
1.0 (XMJC)		Gasolina	FWD	998	48	65	01.13-04.17	■
1.0 (XMJD)		Gasolina	FWD	998	48	65	01.13-04.17	■
1.0 (P4JA)		Gasolina	FWD	998	59	80	10.12-04.17	■

LISTA DE APLICACIONES - BUYERS GUIDE

1.0 (P4JB)		Gasolina	FWD	998	59	80	10.12-04.17	■
1.0 (P4JC)		Gasolina	FWD	998	59	80	10.12-04.17	■
1.0 (P4JD)		Gasolina	FWD	998	59	80	10.12-04.17	■
1.0 EcoBoost (SFJA)		Gasolina	FWD	998	74	100	01.13-04.17	■
1.0 EcoBoost (SFJB)		Gasolina	FWD	998	74	100	01.13-04.17	■
1.0 EcoBoost (SFJC)		Gasolina	FWD	998	74	100	01.13-04.17	■
1.0 EcoBoost (SFJD)		Gasolina	FWD	998	74	100	01.13-04.17	■
1.0 EcoBoost (M1JE)		Gasolina	FWD	998	92	125	09.12-04.17	■
1.0 EcoBoost (M1JH)		Gasolina	FWD	998	92	125	09.12-04.17	■
1.0 Sport (YYJA)		Gasolina	FWD	998	103	140	05.14-04.17	■
1.0 Sport (YYJB)		Gasolina	FWD	998	103	140	05.14-04.17	■
1.25 (STJA)		Gasolina	FWD	1242	44	60	06.08-04.17	■
1.25 (STJB)		Gasolina	FWD	1242	44	60	06.08-04.17	■
1.25 (STJC)		Gasolina	FWD	1242	44	60	06.08-04.17	■
1.25 (STJD)		Gasolina	FWD	1242	44	60	06.08-04.17	■
1.25 (SNJA)		Gasolina	FWD	1242	60	82	06.08-04.17	■
1.25 (SNJB)		Gasolina	FWD	1242	60	82	06.08-04.17	■
1.25 (SNJC)		Gasolina	FWD	1242	60	82	06.08-04.17	■
1.25 (SNJD)		Gasolina	FWD	1242	60	82	06.08-04.17	■
1.4 (RTJA)		Gasolina	FWD	1388	71	97	10.08-04.17	■
1.4 (RTJB)		Gasolina	FWD	1388	71	97	10.08-04.17	■
1.4 (SPJA)		Gasolina	FWD	1388	71	97	10.08-04.17	■
1.4 (SPJC)		Gasolina	FWD	1388	71	97	10.08-04.17	■
1.4 (SPJE)		Gasolina	FWD	1388	71	97	10.08-04.17	■
1.5 Duratec		Gasolina	FWD	1498	82	112	09.15-	■
1.6 (XTJA)		Gasolina	FWD	1596	62	85	03.15-04.17	■
1.6 Ti (IQJA)		Gasolina	FWD	1596	77	105	09.12-04.17	■
1.6 Ti (IQJC)		Gasolina	FWD	1596	77	105	09.12-04.17	■
1.6 Ti (IQJE)		Gasolina	FWD	1596	77	105	09.12-04.17	■
1.6 (C16HDEX)		Gasolina	FWD	1596	81	110	06.10-	■
1.6 Flexfuel		Gasolina	FWD	1596	85	116	06.10-	■
1.6 Ti (HXJA)		Gasolina	FWD	1596	88	120	06.08-01.18	■
1.6 Ti (HXJB)		Gasolina	FWD	1596	88	120	06.08-01.18	■
1.6 Ti (HXJE)		Gasolina	FWD	1596	88	120	06.08-01.18	■
1.6 (HXJA)		Gasolina	FWD	1596	89	121	10.10-04.17	■
1.6 Ti (U5JA)		Gasolina	FWD	1596	99	134	12.10-04.17	■
1.6		Gasolina	FWD	1597	72	98	04.10-	■
1.6		Gasolina	FWD	1597	90	122	01.11-04.17	■
1.6 (C16HDEX)		Gasolina	FWD	1597	93	126	06.16-	■
1.4 LPG (RTJA)		Gasol./G as (LPG)	FWD	1388	68	92	01.09-04.17	■
1.4 LPG (RTJB)		Gasol./G as (LPG)	FWD	1388	68	92	01.09-04.17	■
1.4 LPG (RTJD)		Gasol./G as (LPG)	FWD	1388	68	92	01.09-04.17	■
1.4 LPG (RTJA)		Gasol./G as (LPG)	FWD	1388	71	97	01.09-04.17	■
1.4 LPG (RTJB)		Gasol./G as (LPG)	FWD	1388	71	97	01.09-04.17	■
1.4 LPG (RTJD)		Gasol./G as (LPG)	FWD	1388	71	97	01.09-04.17	■
1.4 LPG (SPJA)		Gasol./G as (LPG)	FWD	1388	71	97	01.09-04.17	■
1.4 LPG (SPJC)		Gasol./G as (LPG)	FWD	1388	71	97	01.09-04.17	■

LISTA DE APLICACIONES - BUYERS GUIDE

1.4 LPG (SPJE)		Gasol./Gas (LPG)	FWD	1388	71	97	01.09-04.17	■
1.5 S, SE FLEX		Gasol./Etanol	FWD	1499	82	112	05.13-	■
1.6 Flex (C16HDEX)		Gasol./Etanol	FWD	1596	94	128	05.13-12.19	■
1.6 Flex (C16HDEX)		Gasol./Etanol	FWD	1597	93	130	05.13-03.15	■
1.4 TDCi (F6JB)		Diesel	FWD	1399	50	68	08.08-09.12	■
1.4 TDCi (F6JD)		Diesel	FWD	1399	50	68	08.08-09.12	■
1.4 TDCi (F6JD)		Diesel	FWD	1399	51	70	07.10-09.12	■
1.4 TDCi (KVJA)		Diesel	FWD	1399	51	70	07.10-09.12	■
1.5 TDCi (UGJC)		Diesel	FWD	1499	55	75	09.12-04.17	■
1.5 TDCi (XUJA)		Diesel	FWD	1499	55	75	09.12-04.17	■
1.5 TDCi (XUJB)		Diesel	FWD	1499	55	75	09.12-04.17	■
1.5 TDCi (XVJB)		Diesel	FWD	1499	70	95	05.15-04.17	■
1.5 TDCi (XVJC)		Diesel	FWD	1499	70	95	05.15-04.17	■
1.6 TDCi (HHJF)		Diesel	FWD	1560	55	75	06.08-12.12	■
1.6 TDCi (UBJA)		Diesel	FWD	1560	55	75	06.08-12.12	■
1.6 TDCi (HHJC)		Diesel	FWD	1560	66	90	06.08-12.12	■
1.6 TDCi (HHJD)		Diesel	FWD	1560	66	90	06.08-12.12	■
1.6 TDCi (HHJE)		Diesel	FWD	1560	66	90	06.08-12.12	■
1.6 TDCi (T3JA)		Diesel	FWD	1560	70	95	02.10-12.15	■
1.6 TDCi (TZJA)		Diesel	FWD	1560	70	95	02.10-12.15	■
1.6 TDCi (TZJB)		Diesel	FWD	1560	70	95	02.10-12.15	■
FIESTA VI (B299) 04.10-				Saloon (Supermini car-B Segment)				
Titanium Plus Ecoboost		Gasolina	FWD	999	92	125	09.13-	■
1.4		Gasolina	FWD	1388	70	95	10.10-04.17	■
1.5 Duratec		Gasolina	FWD	1498	82	112	09.15-	■
1.6 (XTJA)		Gasolina	FWD	1596	62	85	03.15-04.17	■
1.6 Ti (IQJA)		Gasolina	FWD	1596	77	105	03.15-04.17	■
1.6 Ti (IQJC)		Gasolina	FWD	1596	77	105	03.15-04.17	■
1.6 Ti (IQJE)		Gasolina	FWD	1596	77	105	03.15-04.17	■
1.6		Gasolina	FWD	1596	81	110	09.10-04.17	■
1.6 Flex		Gasolina	FWD	1596	85	116	06.10-	■
1.6 Ti (HXJA)		Gasolina	FWD	1596	88	120	04.10-04.17	■
1.6 Ti (HXJB)		Gasolina	FWD	1596	88	120	04.10-04.17	■
1.6 Ti (HXJE)		Gasolina	FWD	1596	88	120	04.10-04.17	■
1.6		Gasolina	FWD	1596	89	121	10.10-	■
1.6 Flex		Gasolina	FWD	1596	96	130	11.14-	■
1.6		Gasolina	FWD	1597	72	98	04.10-	■
1.6 TDCi		Diesel	RWD	1560	66	90	10.10-	■
FORD ASIA & OCEANIA								
FIESTA 07.09-				Saloon (Supermini car-B Segment)				
1.5		Gasolina	FWD	1499	81	109	07.09-	■
FORD AUSTRALIA								
FIESTA (WS) 10.08-				Hatchback (Supermini car-B Segment)				
1.0 EcoBoost		Gasolina	FWD	998	92	125	09.13-	■
1.4 i		Gasolina	FWD	1388	71	97	10.09-12.10	■
1.5		Gasolina	FWD	1499	82	112	05.13-	■
1.6 i (HXJA)		Gasolina	FWD	1596	88	120	10.08-12.10	■
1.6 i		Gasolina	FWD	1596	89	121	10.10-	■

LISTA DE APLICACIONES - BUYERS GUIDE

1.6 ST		Gasolina	FWD	1596	134	182	09.13-	■	
1.6 TD		Diesel	RWD	1560	66	90	10.10-	■	
1.6 TDCi		Diesel	RWD	1560	66	90	01.09-12.10	■	
FIESTA (WT) 10.10-					Saloon (Supermini car-B Segment)				
1.6 i		Gasolina	FWD	1596	89	121	10.10-	■	
1.6 TD		Diesel	RWD	1560	66	90	10.10-	■	
MARUTI SUZUKI									
CIAZ 07.14-					Saloon (Supermini car-B Segment)				
1.4		Gasolina	FWD	1372	68	92	07.14-	■	
1.3 DDiS		Diesel	RWD	1248	66	90	07.14-	■	
ERTIGA 04.12-					MPV (Compact MPV-M1 Segment)				
1.4 VVT (K14B)		Gasolina	FWD	1373	68	92	10.15-03.19	■	
1.4 VVT		Gasolina	FWD	1373	70	95	04.12-	■	
1.4 CNG (K14B)		Gasol./G as (CNG)	FWD	1373	68	92	10.15-	■	
1.4 CNG (K14B)		Gasol./G as (CNG)	FWD	1373	70	95	04.12-	■	
1.3 DDIS HYBRID (D13A)		Diesel/el éc.	FWD	1248	66	90	10.15-08.19	■	
1.3 DDiS		Diesel	RWD	1248	66	90	04.12-	■	
ERTIGA II (NC) 04.18-					MPV (Compact MPV-M1 Segment)				
1,5 CNG (K15B)		Gasol./G as (CNG)	FWD	1462	68	92	02.20-	■	
1,5 VVT SMART HYBRID (K15B)		Gasol./el éc.	FWD	1462	77	105	11.18-	■	
1,3 DDIS SMART HYBRID (D13A)		Diesel/el éc.	FWD	1248	66	90	11.18-	■	
1,5 DDIS 225		Diesel	FWD	1498	70	95	02.20-	■	
XL6 08.19-					MPV ()				
1,5 VVT SMART HYBRID (K15B)		Gasol./el éc.	FWD	1462	77	105	08.19-	■	
MAZDA									
2 III / DEMIO (DE_, DH_) 07.07-06.15					Hatchback (Supermini car-B Segment)				
1.3 (DE3FS) (ZJ46)	Europe	Gasolina	FWD	1349	55	75	10.07-06.15	■	
1.3 MZR (DE3FS) (ZJ46)	Europe	Gasolina	FWD	1349	62	84	01.10-06.15	■	
1.3 MZR (DE3FS) (ZJ-VE)	Europe	Gasolina	FWD	1349	62	84	01.10-06.15	■	
1.3 (DE3FS) (ZJ46)	Europe	Gasolina	FWD	1349	63	86	10.07-06.15	■	
1.5 MZR (DE5FS) (ZY05)	Europe	Gasolina	FWD	1498	75	102	06.11-06.15	■	
1.5 MZR (DE5FS) (ZY66)	Europe	Gasolina	FWD	1498	75	102	06.11-06.15	■	
1.5 (DE5FS) (ZY66)	Europe	Gasolina	FWD	1498	76	103	07.07-06.15	■	
1.5 (DE5FS) (ZY84)	Europe	Gasolina	FWD	1498	76	103	07.07-06.15	■	
1.3 BiFuel (ZJ-46)		Gasol./G as (LPG)	FWD	1349	55	75	05.11-11.14	■	
1.3 BiFuel (ZJ-46)		Gasol./G as (LPG)	FWD	1349	62	84	05.11-11.14	■	
1.4 MZR-CD (Y404)	Europe	Diesel	FWD	1399	50	68	10.07-12.10	■	
1.6 MZ-CD (Y406)	Europe	Diesel	FWD	1560	66	90	10.08-06.15	■	
1.6 MZ-CD (Y646)	Europe	Diesel	FWD	1560	66	90	10.08-06.15	■	
1.6 MZ-CD (Y655)	Europe	Diesel	FWD	1560	70	95	06.11-06.15	■	
1.6 MZ-CD (Y661)	Europe	Diesel	FWD	1560	70	95	06.11-06.15	■	
2 III / DEMIO (DE_) 05.10-06.15					Saloon (Supermini car-B Segment)				
1.3		Gasolina	FWD	1349	63	86	05.10-	■	

LISTA DE APLICACIONES - BUYERS GUIDE

1.5 i (ZY-DE)	Europe	Gasolina	FWD	1498	76	103	05.10-06.15	■	
1.5 Flex (ZY05)	Europe	Gasol./Etanol	FWD	1498	76	103	05.10-02.15	■	
VX-1 04.12-					MPV (Compact MPV-M1 Segment)				
1.4		Gasolina	FWD	1373	70	95	04.12-	■	
MAZDA (CHANGAN)									
2 10.07-					Hatchback (Supermini car-B Segment)				
1.3		Gasolina	FWD	1348	63	86	10.07-12.15	■	
1.5		Gasolina	FWD	1498	76	103	10.07-12.15	■	
OSHAN									
COS1° 3 08.19-					SUV ()				
1.5 (JL473QF)		Gasolina	FWD	1480	79	107	08.19-	■	
PROTON									
ERTIGA 11.16-					MPV (Mini MPV-M1 Segment)				
1.4 (EZ5) (K14B)		Gasolina	FWD	1373	68	91	11.16-12.19	■	
1.4 (EZ5) (K14B)		Gasolina	FWD	1373	68	92	11.16-12.19	■	
SUBARU									
JUSTY IV 01.07-					Hatchback (Supermini car-B Segment)				
1.0 (M300) (1KR-FE)	Manual Transmission, Rim 14	Gasolina	FWD	998	51	69	01.07-	■	
1.3 AWD (K3-VE)		Gasolina	4WD	1298	67	91	03.08-	■	
1.0 Bifuel (1KR-FE)	Rim 14	Gasol./Gas (LPG)	FWD	998	51	69	09.07-03.12	■	
SUZUKI									
BALENO II (FW, EW) 02.16-					Hatchback (Supermini car-B Segment)				
1.0 (A1K310) (K10C)		Gasolina	FWD	998	82	111	02.16-	■	
1.2 (A1K412) (K12C)		Gasolina	FWD	1242	66	90	02.16-	■	
1.2 (K12C)		Gasolina	FWD	1242	67	91	02.16-	■	
1.4 (K14B)		Gasolina	FWD	1372	68	92	06.16-	■	
1.2 Hybrid (A1K412) (K12C)		Gasol./eléc.	FWD	1242	66	90	02.16-	■	
CIAZ / ALIVIO (VC) 05.15-					Saloon (Supermini car-B Segment)				
1.2		Gasolina	FWD	1242	67	91	05.15-	■	
ERTIGA (AVI_) 04.12-					MPV (Compact MPV-M1 Segment)				
1.4		Gasolina	FWD	1372	68	92	04.12-	■	
1.4 (K14B)		Gasolina	FWD	1372	69	94	04.12-12.18	■	
1.4 VVT (AVI414) (K14B)		Gasolina	FWD	1372	70	95	04.12-12.18	■	
1.4 VVT (AVI414) (K14B)		Gasolina	FWD	1372	72	98	10.15-12.18	■	
1.3 DDIS HYBRID (AVI413) (D13A)		Diesel/eléc.	FWD	1248	65	88	10.15-12.18	■	
ERTIGA II (NC) 04.18-					MPV (Compact MPV-M1 Segment)				
1.5 VVT (ARK415, ARK4152) (K15B)		Gasolina	FWD	1462	77	105	04.18-	■	
SWIFT IV (FZ, NZ) 10.10-					Hatchback (Supermini car-B Segment)				
1.2 VVT		Gasolina	FWD	1197	61	83	06.15-04.17	■	
1.2 (K12M)		Gasolina	FWD	1197	63	86	01.13-04.17	■	
1.2 (K12M)		Gasolina	FWD	1197	64	87	01.13-04.17	■	
1.2 (AZG412, ZC72S) (K12B)	Type AZG412, with cruise control	Gasolina	FWD	1242	66	90	10.10-04.17	■	
1.2 4x4 (AZG412, ZD72S) (K12B)		Gasolina	4WD	1242	66	90	10.10-04.17	■	
1.2 (AZH412, AZG412, ZC72S) (K12B)		Gasolina	FWD	1242	67	91	08.12-04.17	■	

LISTA DE APLICACIONES - BUYERS GUIDE

1.2 4WD (AZH412, AZG412, ZD72S) (K12B)		Gasolina	4WD	1242	67	91	08.12-04.17	■	
1.2 (AZH412, ZC72S) (K12B)	Manual Transmission, Rim 14, with cruise control	Gasolina	FWD	1242	69	94	10.10-04.17	■	
1.2 4x4 (AZH412, ZD72S) (K12B)		Gasolina	4WD	1242	69	94	10.10-04.17	■	
1.4 (AZH414, AZG414) (K14B)	discØ 272	Gasolina	FWD	1372	70	95	02.11-04.17	■	
1.4		Gasolina	FWD	1372	75	100	01.12-	■	
1.6 (AZG416, AZH416, RS416, ZC32S, ZA32S) (M16A)	sports package	Gasolina	FWD	1586	100	136	01.12-04.17	■	
1.6 (AZG 416, ZC32S, ZA32S)	sports package	Gasolina	FWD	1586	104	142	08.14-04.17	■	
1.3 DDiS (AZG413D, ZC02S, ZC92S) (D13A)	with cruise control	Diesel	FWD	1248	55	75	10.10-04.17	■	
1.3 DDiS (AZG413D, ZC02S, ZC92S) (D13AA)	with cruise control	Diesel	FWD	1248	55	75	10.10-04.17	■	
SWIFT V (AZ) 01.17-							Hatchback (Supermini car-B Segment)		
1.0 (ZC13S) (K10C)		Gasolina	FWD	998	75	102	01.17-	■	
1.0 (A2L310) (K10C)	Eq.V_ GLX	Gasolina	FWD	998	82	111	04.17-	■	
1.2 (A2L412) (K12M)		Gasolina	FWD	1197	60	82	09.17-	■	
1.2		Gasolina	FWD	1197	61	83	03.18-	■	
1.2 (A2L412)		Gasolina	FWD	1197	62	84	06.18-	■	
1.2 (A2N412) (K12M)		Gasolina	FWD	1197	87	118	05.18-	■	
1.2 (A2L412, ZC83S) (K12C)	Eq.V_ GLX	Gasolina	FWD	1242	66	90	04.17-	■	
1.2 AllGrip (A2L412) (K12C)	Eq.V_ GLX	Gasolina	4WD	1242	66	90	04.17-	■	
1.2 (ZC83S) (K12C)		Gasolina	FWD	1242	67	91	01.17-	■	
1.2 AllGrip (ZD83S) (K12C)		Gasolina	4WD	1242	67	91	01.17-	■	
1.4 Sport (A2L414, ZC33S) (K14C)	Eq.V_ GLX	Gasolina	FWD	1373	103	140	09.17-	■	
1.0 SHVS (A2L310) (K10C)	Eq.V_ GLX	Gasol./el éc.	FWD	998	82	111	04.17-	■	
1.2 Hybrid (Mild Hybrid) AllGrip (A2L412) (K12M)		Gasol./el éc.	FWD	1197	61	83	06.20-	■	
1.2 Hybrid (Mild Hybrid) AllGrip (A2L412) (K12M)		Gasol./el éc.	4WD	1197	61	83	06.20-	■	
1.2 SHVS (A2L412) (K12CS)	Eq.V_ GLX	Gasol./el éc.	FWD	1242	66	90	04.17-	■	
1.2 SHVS AllGrip (A2L412) (K12CS)	Eq.V_ GLX	Gasol./el éc.	4WD	1242	66	90	04.17-	■	
1.2 SHVS (ZC53S, ZC43S) (K12C)		Gasol./el éc.	FWD	1242	67	91	01.17-	■	
1.2 SHVS AllGrip (ZD53S)		Gasol./el éc.	4WD	1242	67	91	01.17-	■	
1.4 Sport SHVS (K14D)		Gasol./el éc.	FWD	1373	95	129	03.20-	■	
TOYOTA									
GLANZA (K12#) 06.19-							Hatchback (Supermini car-B Segment)		
1.2 (K12M)		Gasolina	FWD	1197	61	83	06.19-	■	
1.2 (K12N)		Gasolina	FWD	1197	66	90	06.19-	■	
STARLET (K14B) 08.20-							Hatchback (Supermini car-B Segment)		
1.4 (K14B) (K14B)		Gasolina	FWD	1372	68	92	08.20-	■	