

LISTA DE APLICACIONES - BUYERS GUIDE

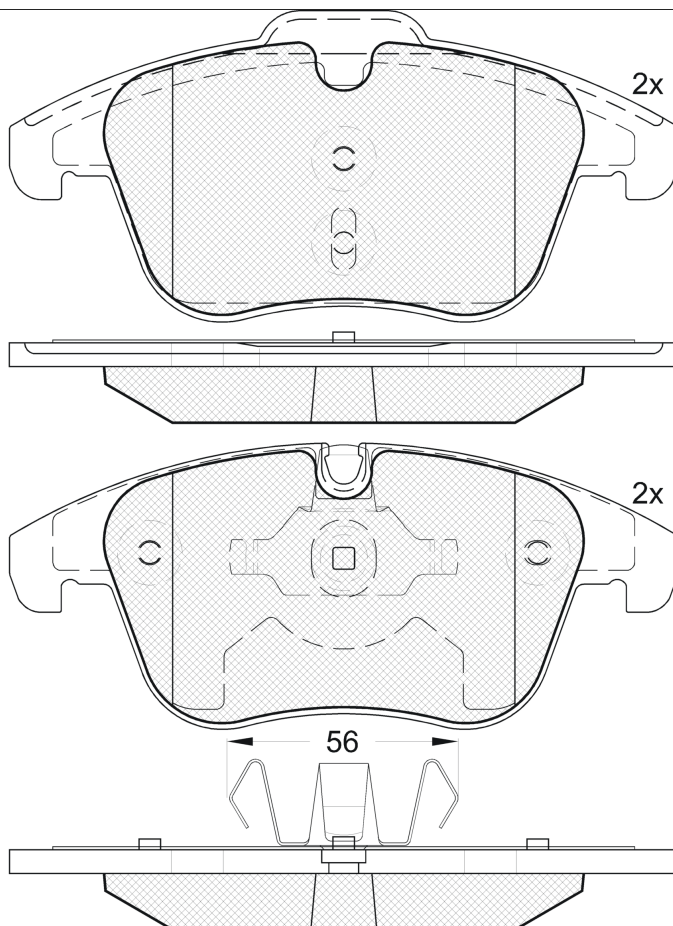
181886



8 424073 098023

Qty: 300

Weight: 2.090



181886

E 9 90R-01111/2502



Ate - Teves

155.2x66.44x19.2

155.2x72.27x19.2

WVA

24084

24332

MAKE

CITROËN

PEUGEOT



Trac.	CC	Kw	CV
-------	----	----	----



Front / Rear

CITROËN

C5 II (RW_) 02.08-

Estate (Large family car-D Segment)

Model	Trac.	CC	Kw	CV	Period	Application
1.6 VTI 120 (5FS (EP6C))	FWD	1598	88	120	07.10-06.15	■
1.6 THP 150 (5FN (EP6CDT))	FWD	1598	110	150	04.09-07.16	■
1.6 THP 155 (5FV (EP6CDT))	FWD	1598	115	156	04.09-07.16	■
1.8 i 16V (RW6FYC) (6FY (EW7A))	FWD	1749	92	125	02.08-10.10	■
2.0 i 16V (RWRFJC, RWRFJF) (RFJ (EW10A))	FWD	1997	103	140	02.08-10.14	■
2.0 16V	FWD	1997	105	143	04.08-12.12	■
2.0 16V BioFlex (RFJ (EW10A))	FWD	1997	103	140	02.08-06.10	■
1.6 HDi 110 (RW9HZC) (9HZ (DV6TED4))	FWD	1560	80	109	02.08-10.10	■
1.6 HDi 110 (9HL (DV6C))	FWD	1560	82	112	07.10-05.12	■
1.6 HDi 110 (9HR (DV6C))	FWD	1560	82	112	07.10-05.12	■
1.6 HDi 115 (9HL (DV6C))	FWD	1560	84	114	06.12-06.15	■
1.6 HDi 115 (9HR (DV6C))	FWD	1560	84	114	06.12-06.15	■
2.0 HDi (RHR (DW10BTED4))	FWD	1997	100	136	02.08-06.14	■
2.0 HDi 140 (RHF (DW10BTED4))	FWD	1997	103	140	04.09-06.15	■
2.0 HDi 150 / BlueHDi 150 (RWRHEJ, RWRHE8) (AHR (DW10FD))	FWD	1997	110	150	04.09-05.17	■
2.0 HDi 150 / BlueHDi 150 (RWRHEJ, RWRHE8) (RHE (DW10CTED4))	FWD	1997	110	150	04.09-05.17	■
2.0 HDi 165 (RHH (DW10CTED4))	FWD	1997	120	163	04.09-07.16	■

C5 II (RD_) 02.08-

Saloon (Large family car-D Segment)

1.6 VTI 120 (RD5FS8, RD5FSA) (5FS (EP6C))	FWD	1598	88	120	07.10-06.15	■
1.6 THP 150 (RD5FN8, RD5FNA) (5FN (EP6CDT))	FWD	1598	110	150	07.10-07.16	■

LISTA DE APLICACIONES - BUYERS GUIDE

1.6 THP 155 (RD5FV8, RD5FNA) (5FV (EP6CDT))		Gasolina	FWD	1598	115	156	04.09-07.16	■
1.8 16V (RD6FXC) (6FY (EW7A))		Gasolina	FWD	1749	92	125	02.08-10.10	■
2.0 16V (RDRFJC, RDRFJF) (RFJ (EW10A))		Gasolina	FWD	1997	103	140	02.08-10.14	■
2.0 16V (RDRFJF)		Gasolina	FWD	1997	105	143	04.08-12.12	■
2.0 16V BioFlex (RDRFJF) (RFJ (EW10A))		Gasol./Etanol	FWD	1997	103	140	02.08-12.12	■
1.6 HDi 110 (RD9HZC) (9HZ (DV6TED4))		Diesel	FWD	1560	80	109	02.08-10.10	■
1.6 HDi 110 (RD9HL0, RD9HR8, RD9HRA) (9HL (DV6C))		Diesel	FWD	1560	82	112	07.10-05.12	■
1.6 HDi 110 (RD9HL0, RD9HR8, RD9HRA) (9HR (DV6C))		Diesel	FWD	1560	82	112	07.10-05.12	■
1.6 HDi 115 (RD9HRA, RD9HLA, RD9HL0) (9HL (DV6C))		Diesel	FWD	1560	84	114	01.12-06.15	■
1.6 HDi 115 (RD9HRA, RD9HLA, RD9HL0) (9HR (DV6C))		Diesel	FWD	1560	84	114	01.12-06.15	■
2.0 HDi (RDRHD8, RDRHDJ, RDRHR8, RDRHRJ) (RHF (DW10BTED4))		Diesel	FWD	1997	100	136	02.08-06.14	■
2.0 HDi (RDRHD8, RDRHDJ, RDRHR8, RDRHRJ) (RHR (DW10BTED4))		Diesel	FWD	1997	100	136	02.08-06.14	■
2.0 HDi 140 (RDRHF8, RDRHFA, RDRHA8, RDRHAJ) (RHF (DW10BTED4))		Diesel	FWD	1997	103	140	11.08-06.15	■
2.0 HDi 150 / BlueHdi 150 (RWRHEJ, RWRHE8) (AHR (DW10FD))		Diesel	FWD	1997	110	150	04.09-05.17	■
2.0 HDi 150 / BlueHdi 150 (RWRHEJ, RWRHE8) (RHE (DW10CTED4))		Diesel	FWD	1997	110	150	04.09-05.17	■
2.0 HDi 165 (RDRHHA, RDRHH8) (RHH (DW10CTED4))		Diesel	FWD	1997	120	163	04.09-07.16	■
PEUGEOT								
407 (6C_) 10.05-						Coupe (Large family car-D Segment)		
2.0 HDi (RHH (DW10CTED4))		Diesel	FWD	1997	120	163	06.09-	■
407 (6D_) 02.04-12.13						Saloon (Large family car-D Segment)		
2.0 HDi (6DRHLG, 6DRHLE) (RHL (DW10BTED4))		Diesel	FWD	1997	93	126	11.04-10.07	■
2.0 HDi 135 (6DRHRH, 6DRHRE, 6DRHRG, 6DRHRJ) (RHR (DW10BTED4))		Diesel	FWD	1997	100	136	05.04-10.10	■
2.0 HDi (6DRHRH) (RHR (DW10BTED4))		Diesel	FWD	1997	103	140	06.09-12.10	■
2.0 HDi (6DRHHA) (RHH (DW10CTED4))		Diesel	FWD	1997	120	163	06.09-12.10	■
407 SW (6E_) 08.04-12.10						Estate Van (Large family car-D Segment)		
2.0 HDi (RHR (DW10BTED4))		Diesel	FWD	1997	103	140	06.09-12.10	■
2.0 HDi (RHH (DW10CTED4))		Diesel	FWD	1997	120	163	06.09-12.10	■
407 SW (6E_, 6D_) 05.04-						Estate (Large family car-D Segment)		
2.0 HDi (RHL (DW10BTED4))		Diesel	FWD	1997	93	126	11.04-10.07	■
2.0 HDi 135 (RHR (DW10BTED4))		Diesel	FWD	1997	100	136	07.04-12.10	■
2.0 HDi (RHR (DW10BTED4))		Diesel	FWD	1997	103	140	08.08-12.10	■
2.0 HDi (RHH (DW10CTED4))		Diesel	FWD	1997	120	163	06.09-12.10	■
508 (8D_) 11.10-						Saloon (Large family car-D Segment)		
1.6 VTi (5FH (EP6C))	discØ 304	Gasolina	FWD	1598	85	116	11.10-12.18	■
1.6 VTi (5FS (EP6C))	discØ 304	Gasolina	FWD	1598	88	120	11.10-12.18	■
1.6 THP (5FN (EP6CDT))	discØ 304	Gasolina	FWD	1598	110	150	11.10-12.18	■
1.6 THP (5FV (EP6CDT))	discØ 304	Gasolina	FWD	1598	115	156	11.10-12.18	■
1.6 THP (5GZ (EP6FDT))	discØ 304	Gasolina	FWD	1598	120	163	01.12-12.18	■
1.6 THP (5GZ (EP6FDT))		Gasolina	FWD	1598	121	165	09.11-12.18	■
2.0 HDi Hybrid4 AWC (RHC (DW10CTED4))	discØ 304	Diesel/eléc.	4WD	1997	120	163	11.10-12.18	■
2.0 HDi Hybrid4 AWC (RHC (DW10CTED4))	discØ 304	Diesel/eléc.	4WD	1997	147	200	11.10-12.18	■
1.6 HDi (9HL (DV6C))	discØ 304	Diesel	FWD	1560	82	112	11.10-12.18	■

LISTA DE APLICACIONES - BUYERS GUIDE

1.6 HDi (9HR (DV6C))	discØ 304	Diesel	FWD	1560	82	112	11.10-12.18	■	
1.6 HDi (9HD (DV6CTED))	discØ 304	Diesel	FWD	1560	84	115	02.12-12.18	■	
1.6 HDi (BHX (DV6FC))		Diesel	FWD	1560	85	116	09.14-12.18	■	
1.6 BlueHDi 120 (BHZ (DV6FC))	discØ 304	Diesel	FWD	1560	88	120	03.14-12.18	■	
2.0 HDi (RHR (DW10BTED4))	discØ 304	Diesel	FWD	1997	100	136	11.10-12.18	■	
2.0 HDi (RHA (DW10CTED4))	discØ 304	Diesel	FWD	1997	103	140	11.10-12.18	■	
2.0 HDi (RHF (DW10BTED4))	discØ 304	Diesel	FWD	1997	103	140	11.10-12.18	■	
2.0 BlueHDi 150 (AHX (DW10FD))	discØ 304	Diesel	FWD	1997	110	150	04.14-12.18	■	
2.0 HDi (RHH (DW10CTED4))	discØ 304	Diesel	FWD	1997	120	163	11.10-12.18	■	
2.0 BlueHDi 180 (AHW (DW10FC))	discØ 304	Diesel	FWD	1997	133	180	04.14-12.18	■	
2.2 HDi (4HL (DW12C))	discØ 304	Diesel	FWD	2179	150	204	11.10-12.18	■	
508 SW (8E_) 11.11-							Estate Van (Large family car-D Segment)		
1.6 HDi (9HL (DV6C))		Diesel	FWD	1560	84	114	03.13-12.18	■	
2.0 HDi (RHF (DW10BTED4))		Diesel	FWD	1997	103	140	03.13-12.18	■	
2.0 HDi (RHH (DW10CTED4))		Diesel	FWD	1997	120	163	03.13-12.18	■	
2.2 HDi (4HL (DW12C))		Diesel	FWD	2179	150	204	11.11-	■	
508 SW (8E_) 11.10-							Estate (Large family car-D Segment)		
1.6 VTi (5FH (EP6C))	discØ 304	Gasolina	FWD	1598	85	116	11.10-12.18	■	
1.6 VTi (5FS (EP6C))	discØ 304	Gasolina	FWD	1598	88	120	11.10-12.18	■	
1.6 THP (5FE (EP6CDTM))	discØ 304	Gasolina	FWD	1598	110	150	11.10-12.18	■	
1.6 THP (5FN (EP6CDT))	discØ 304	Gasolina	FWD	1598	110	150	11.10-12.18	■	
1.6 THP (5FV (EP6CDT))	discØ 304	Gasolina	FWD	1598	115	156	11.10-12.18	■	
1.6 (5GZ (EP6FDT))	discØ 304	Gasolina	FWD	1598	121	165	02.12-12.18	■	
2.0 HDi RXH Hybrid4	discØ 304	Gasol./el éc.	4WD	1997	147	200	12.11-	■	
2.0 HDi RXH Hybrid4 (RHC (DW10CTED4))	discØ 304	Diesel/el éc.	4WD	1997	147	200	11.10-12.18	■	
1.6 HDi (9HL (DV6C))	discØ 304	Diesel	FWD	1560	82	112	11.10-12.18	■	
1.6 HDi (9HR (DV6C))	discØ 304	Diesel	FWD	1560	82	112	11.10-12.18	■	
1.6 HDi (9HL (DV6C))	discØ 304	Diesel	FWD	1560	84	115	02.12-12.18	■	
1.6 HDi (9HR (DV6C))	discØ 304	Diesel	FWD	1560	84	115	02.12-12.18	■	
1.6 HDi (BHX (DV6FC))		Diesel	FWD	1560	85	116	09.14-12.18	■	
1.6 BlueHDi 120 (BHZ (DV6FC))	discØ 304	Diesel	FWD	1560	88	120	03.14-12.18	■	
2.0 HDi (RHR (DW10BTED4))	discØ 304	Diesel	FWD	1997	100	136	11.10-12.18	■	
2.0 HDi (RHA (DW10CTED4))	discØ 304	Diesel	FWD	1997	103	140	11.10-12.18	■	
2.0 HDi (RHF (DW10BTED4))	discØ 304	Diesel	FWD	1997	103	140	11.10-12.18	■	
2.0 BlueHDi 150 (AHX (DW10FD))	discØ 304	Diesel	FWD	1997	110	150	04.14-12.18	■	
2.0 HDi (RHH (DW10CTED4))	discØ 304	Diesel	FWD	1997	120	163	11.10-12.18	■	
2.0 BlueHDi 180 (AHW (DW10FC))	discØ 304	Diesel	FWD	1997	133	180	04.14-12.18	■	
2.0 HDi 180 RXH	discØ 304	Diesel	FWD	1997	133	181	10.14-12.18	■	
2.2 HDi (4HL (DW12C))	discØ 304	Diesel	FWD	2179	150	204	11.10-12.18	■	