

# LISTA DE APLICACIONES - BUYERS GUIDE

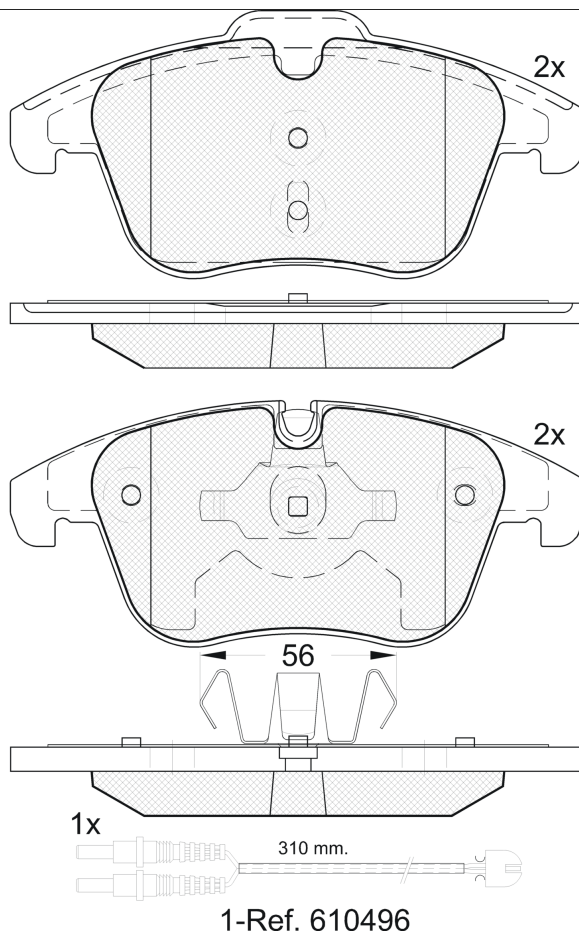
## 181886-203



Qty: 300

Weight: 2.100

O.E.M.	MAKE
16 092 531 80	CITROËN
16 101 038 80	CITROËN
16 172 832 80	CITROËN
16 197 902 80	PEUGEOT
16 478 628 80	PEUGEOT
16 478 632 80	PEUGEOT
4254.38	CITROËN
4254.A7	PEUGEOT
86 60 003 510	RENAULT
86 60 004 557	RENAULT



1-Ref. 610496

## 181886-203

**E 9** 90R-01111/2896



Ate - Teves

155.2x66.44x19.2

155.2x72.27x19.2

WVA	FMSI
24084	D1957-9183
24332	
MAKE	
CITROËN	
CITROËN (DF-PSA)	
PEUGEOT	
PEUGEOT (DF-PSA)	



	Trac.	CC	Kw	CV			Front / Rear
--	-------	----	----	----	--	--	--------------

### CITROËN

<b>C5 (RC_) 08.04-</b>					<b>Hatchback (Large family car-D Segment)</b>				
2.0 16V (RCRFJB, RCRFJC) (RFJ (EW10A))	Gasolina	FWD	1997	103	140	09.04-08.08	■		
<b>C5 II (RW_) 02.08-</b>					<b>Estate (Large family car-D Segment)</b>				
1.6 VTI 120 (5FS (EP6C))	Gasolina	FWD	1598	88	120	07.10-06.15	■		
1.6 THP 150 (5FN (EP6CDT))	Gasolina	FWD	1598	110	150	04.09-07.16	■		
1.6 THP 155 (5FV (EP6CDT))	Gasolina	FWD	1598	115	156	04.09-07.16	■		
1.8 i 16V (RW6FYC) (6FY (EW7A))	Gasolina	FWD	1749	92	125	02.08-10.10	■		
2.0 i 16V (RWRfJC, RWRfJF) (RFJ (EW10A))	Gasolina	FWD	1997	103	140	02.08-10.14	■		
2.0 16V BioFlex (RFJ (EW10A))	Gasol./Etanol	FWD	1997	103	140	02.08-06.10	■		
1.6 HDi 110 (RW9HZC) (9HZ (DV6TED4))	Diesel	FWD	1560	80	109	02.08-10.10	■		
1.6 HDi 110 (9HL (DV6C))	Diesel	FWD	1560	82	112	07.10-05.12	■		
1.6 HDi 110 (9HR (DV6C))	Diesel	FWD	1560	82	112	07.10-05.12	■		
1.6 HDi 115 (9HL (DV6C))	Diesel	FWD	1560	84	114	06.12-06.15	■		
1.6 HDi 115 (9HR (DV6C))	Diesel	FWD	1560	84	114	06.12-06.15	■		
2.0 HDi (RHR (DW10BTED4))	Diesel	FWD	1997	100	136	02.08-06.14	■		
2.0 HDi 140 (RHF (DW10BTED4))	Diesel	FWD	1997	103	140	04.09-06.15	■		
2.0 HDi 150 / BlueHDi 150 (RWRHEJ, RWRHE8) (AHR (DW10FD))	Diesel	FWD	1997	110	150	04.09-05.17	■		
2.0 HDi 150 / BlueHDi 150 (RWRHEJ, RWRHE8) (RHE (DW10CTED4))	Diesel	FWD	1997	110	150	04.09-05.17	■		
2.0 HDi 165 (RHH (DW10CTED4))	Diesel	FWD	1997	120	163	04.09-07.16	■		
<b>C5 II (RD_) 02.08-</b>					<b>Saloon (Large family car-D Segment)</b>				
1.6 VTI 120 (RD5FS8, RD5FSA) (5FS (EP6C))	Gasolina	FWD	1598	88	120	07.10-06.15	■		

# LISTA DE APLICACIONES - BUYERS GUIDE

1.6 THP 150 (RD5FN8, RD5FNA) (5FN (EP6CDT))		Gasolina	FWD	1598	110	150	07.10-07.16	■
1.6 THP 155 (RD5FV8, RD5FNA) (5FV (EP6CDT))		Gasolina	FWD	1598	115	156	04.09-07.16	■
1.6 (RD5FMA) (5FM (EP6DT))		Gasolina	FWD	1598	120	163	03.11-06.14	■
1.8 16V (RD6FXC) (6FY (EW7A))		Gasolina	FWD	1749	92	125	02.08-10.10	■
2.0 16V (RDRFJC, RDRFJF) (RFJ (EW10A))		Gasolina	FWD	1997	103	140	02.08-10.14	■
2.0 16V BioFlex (RDRFJF) (RFJ (EW10A))		Gasol./Etanol	FWD	1997	103	140	02.08-12.12	■
1.6 HDi 110 (RD9HZC) (9HZ (DV6TED4))		Diesel	FWD	1560	80	109	02.08-10.10	■
1.6 HDi 110 (RD9HL0, RD9HR8, RD9HRA) (9HL (DV6C))		Diesel	FWD	1560	82	112	07.10-05.12	■
1.6 HDi 110 (RD9HL0, RD9HR8, RD9HRA) (9HR (DV6C))		Diesel	FWD	1560	82	112	07.10-05.12	■
1.6 HDi 115 (RD9HRA, RD9HLA, RD9HL0) (9HL (DV6C))		Diesel	FWD	1560	84	114	01.12-06.15	■
1.6 HDi 115 (RD9HRA, RD9HLA, RD9HL0) (9HR (DV6C))		Diesel	FWD	1560	84	114	01.12-06.15	■
2.0 HDi (RDRHD8, RDRHDJ, RDRHR8, RDRHRJ) (RHF (DW10BTED4))		Diesel	FWD	1997	100	136	02.08-06.14	■
2.0 HDi (RDRHD8, RDRHDJ, RDRHR8, RDRHRJ) (RHR (DW10BTED4))		Diesel	FWD	1997	100	136	02.08-06.14	■
2.0 HDi (RDRHR8) (RHR (DW10BTED4))		Diesel	FWD	1997	101	138	10.14-05.17	■
2.0 HDi 140 (RDRHF8, RDRHFA, RDRHA8, RDRHAJ) (RHF (DW10BTED4))		Diesel	FWD	1997	103	140	11.08-06.15	■
2.0 HDi 150 / BlueHdi 150 (RWRHEJ, RWRHE8) (AHR (DW10FD))		Diesel	FWD	1997	110	150	04.09-05.17	■
2.0 HDi 150 / BlueHdi 150 (RWRHEJ, RWRHE8) (RHE (DW10CTED4))		Diesel	FWD	1997	110	150	04.09-05.17	■
2.0 HDi 165 (RDRHHA, RDRHH8) (RHH (DW10CTED4))		Diesel	FWD	1997	120	163	04.09-07.16	■

## CITROËN (DF-PSA)

<b>C5 01.09-</b>					<b>Saloon (Large family car-D Segment)</b>			
1.6 (5G02 10UF01 (EP6FDTM))	discØ 304	Gasolina	FWD	1598	123	167	05.14-	■
1.8 (6G01 10UF51 (EP8FDT))	discØ 304	Gasolina	FWD	1751	150	204	09.15-	■
2.0 (RFN 10FLH3X (EW10A))	discØ 304	Gasolina	FWD	1997	108	147	11.09-	■
2.3 (3FY (10XP01))	discØ 304	Gasolina	FWD	2253	126	171	01.09-	■
3.0	discØ 304	Gasolina	FWD	2946	162	220	01.10-	■

## PEUGEOT

<b>407 (6C_) 10.05-</b>					<b>Coupe (Large family car-D Segment)</b>			
2.0 HDi		Diesel	FWD	1997	110	150	02.10-	■
2.0 HDi (RHH (DW10CTED4))	discØ 304	Diesel	FWD	1997	120	163	06.09-	■
<b>407 (6D_) 02.04-12.13</b>					<b>Saloon (Large family car-D Segment)</b>			
2.0 HDi (6DRHLG, 6DRHLE) (RHL (DW10BTED4))		Diesel	FWD	1997	93	126	11.04-10.07	■
2.0 HDi 135 (6DRHRH, 6DRHRE, 6DRHRG, 6DRHRJ) (RHR (DW10BTED4))	Org.- 11683-, discØ 304, Germany	Diesel	FWD	1997	100	136	05.04-10.10	■
2.0 HDi (6DRHRH) (RHR (DW10BTED4))	Org.- 11683-, discØ 304, Germany	Diesel	FWD	1997	103	140	06.09-12.10	■
2.0 HDi		Diesel	FWD	1997	110	150	02.10-	■
2.0 HDi (6DRHHA) (RHH (DW10CTED4))	discØ 304	Diesel	FWD	1997	120	163	06.09-12.10	■
<b>407 SW (6E_) 08.04-12.10</b>					<b>Estate Van (Large family car-D Segment)</b>			
2.0 HDi (RHR (DW10BTED4))	discØ 300   discØ 330	Diesel	FWD	1997	103	140	06.09-12.10	■
2.0 HDi (RHH (DW10CTED4))		Diesel	FWD	1997	120	163	06.09-12.10	■
<b>407 SW (6E_, 6D_) 05.04-</b>					<b>Estate (Large family car-D Segment)</b>			
2.0 HDi (RHL (DW10BTED4))	discØ 300   discØ 330	Diesel	FWD	1997	93	126	11.04-10.07	■
2.0 HDi 135 (RHR (DW10BTED4))	Org.- 11683-, discØ 304   discØ 330	Diesel	FWD	1997	100	136	07.04-12.10	■

# LISTA DE APLICACIONES - BUYERS GUIDE

2.0 HDi (RHR (DW10BTED4))	Org.- 11683-, discØ 304   discØ 330	Diesel	FWD	1997	103	140	08.08-12.10	■	
2.0 HDi		Diesel	FWD	1997	110	150	02.10-	■	
2.0 HDi (RHH (DW10CTED4))	discØ 304	Diesel	FWD	1997	120	163	06.09-12.10	■	
<b>508 (8D_) 11.10-</b>							<b>Saloon (Large family car-D Segment)</b>		
1.6 VTi (5FH (EP6C))	discØ 304	Gasolina	FWD	1598	85	116	11.10-12.18	■	
1.6 VTi (5FS (EP6C))	discØ 304	Gasolina	FWD	1598	88	120	11.10-12.18	■	
1.6 THP (5FN (EP6CDT))	discØ 304	Gasolina	FWD	1598	110	150	11.10-12.18	■	
1.6 THP (5FV (EP6CDT))	discØ 304	Gasolina	FWD	1598	115	156	11.10-12.18	■	
1.6 THP (5GZ (EP6FDT))	discØ 304, -Org. 12774	Gasolina	FWD	1598	120	163	01.12-12.18	■	
1.6 THP (5GZ (EP6FDT))	discØ 304, -Org. 12774, -10/11	Gasolina	FWD	1598	121	165	09.11-12.18	■	
2.0 HDi Hybrid4 AWC (RHC (DW10CTED4))	discØ 304	Diesel/el éc.	4WD	1997	120	163	11.10-12.18	■	
2.0 HDi Hybrid4 AWC (RHC (DW10CTED4))	discØ 304	Diesel/el éc.	4WD	1997	147	200	11.10-12.18	■	
1.6 HDi (9HL (DV6C))	discØ 304	Diesel	FWD	1560	82	112	11.10-12.18	■	
1.6 HDi (9HR (DV6C))	discØ 304	Diesel	FWD	1560	82	112	11.10-12.18	■	
1.6 HDi (9HD (DV6CTED))	discØ 304	Diesel	FWD	1560	84	115	02.12-12.18	■	
1.6 HDi (BHX (DV6FC))	discØ 304	Diesel	FWD	1560	85	116	09.14-12.18	■	
1.6 BlueHDi 120 (BHZ (DV6FC))	discØ 304	Diesel	FWD	1560	88	120	03.14-12.18	■	
2.0 HDi (RHR (DW10BTED4))	discØ 304	Diesel	FWD	1997	100	136	11.10-12.18	■	
2.0 HDi (RHA (DW10CTED4))	discØ 304	Diesel	FWD	1997	103	140	11.10-12.18	■	
2.0 HDi (RHF (DW10BTED4))	discØ 304	Diesel	FWD	1997	103	140	11.10-12.18	■	
2.0 BlueHDi 150 (AHX (DW10FD))	discØ 304	Diesel	FWD	1997	110	150	04.14-12.18	■	
2.0 HDi (RHH (DW10CTED4))	discØ 304	Diesel	FWD	1997	120	163	11.10-12.18	■	
2.0 BlueHDi 180 (AHW (DW10FC))	discØ 304	Diesel	FWD	1997	133	180	04.14-12.18	■	
2.2 HDi (4HL (DW12C))	discØ 304	Diesel	FWD	2179	150	204	11.10-12.18	■	
<b>508 SW (8E_) 11.11-</b>							<b>Estate Van (Large family car-D Segment)</b>		
1.6 HDi (9HL (DV6C))	discØ 304	Diesel	FWD	1560	84	114	03.13-12.18	■	
2.0 HDi (RHF (DW10BTED4))	discØ 304	Diesel	FWD	1997	103	140	03.13-12.18	■	
2.0 HDi (RHH (DW10CTED4))	discØ 304	Diesel	FWD	1997	120	163	03.13-12.18	■	
2.2 HDi (4HL (DW12C))	discØ 304, -Org. 12774	Diesel	FWD	2179	150	204	11.11-	■	
<b>508 SW (8E_) 11.10-</b>							<b>Estate (Large family car-D Segment)</b>		
1.6 VTi (5FH (EP6C))	discØ 304, -Org. 12774, -10/11	Gasolina	FWD	1598	85	116	11.10-12.18	■	
1.6 VTi (5FS (EP6C))	discØ 304, -Org. 12774, -10/11	Gasolina	FWD	1598	88	120	11.10-12.18	■	
1.6 THP (5FE (EP6CDTM))	discØ 304, -Org. 12774, -10/11	Gasolina	FWD	1598	110	150	11.10-12.18	■	
1.6 THP (5FN (EP6CDT))	discØ 304, -Org. 12774, -10/11	Gasolina	FWD	1598	110	150	11.10-12.18	■	
1.6 THP (5FV (EP6CDT))	discØ 304, -Org. 12774, -10/11	Gasolina	FWD	1598	115	156	11.10-12.18	■	
1.6 (5GZ (EP6FDT))	discØ 304	Gasolina	FWD	1598	121	165	02.12-12.18	■	
2.0 HDi RXH Hybrid4	discØ 304	Gasol./el éc.	4WD	1997	147	200	12.11-	■	
2.0 HDi RXH Hybrid4 (RHC (DW10CTED4))	discØ 304	Diesel/el éc.	4WD	1997	147	200	11.10-12.18	■	
1.6 HDi (9HL (DV6C))	discØ 304, -Org. 12774, -10/11	Diesel	FWD	1560	82	112	11.10-12.18	■	
1.6 HDi (9HR (DV6C))	discØ 304, -Org. 12774, -10/11	Diesel	FWD	1560	82	112	11.10-12.18	■	
1.6 HDi (9HL (DV6C))	discØ 304	Diesel	FWD	1560	84	115	02.12-12.18	■	
1.6 HDi (9HR (DV6C))	discØ 304	Diesel	FWD	1560	84	115	02.12-12.18	■	
1.6 HDi (BHX (DV6FC))	discØ 304	Diesel	FWD	1560	85	116	09.14-12.18	■	
1.6 BlueHDi 120 (BHZ (DV6FC))	discØ 304	Diesel	FWD	1560	88	120	03.14-12.18	■	
2.0 HDi (RHR (DW10BTED4))	discØ 304, -Org. 12774, -10/11	Diesel	FWD	1997	100	136	11.10-12.18	■	
2.0 HDi (RHA (DW10CTED4))	discØ 304, -Org. 12774, -10/11	Diesel	FWD	1997	103	140	11.10-12.18	■	
2.0 HDi (RHF (DW10BTED4))	discØ 304, -Org. 12774, -10/11	Diesel	FWD	1997	103	140	11.10-12.18	■	
2.0 BlueHDi 150 (AHX (DW10FD))	discØ 304	Diesel	FWD	1997	110	150	04.14-12.18	■	

# LISTA DE APLICACIONES - BUYERS GUIDE

2.0 HDi (RHH (DW10CTED4))	discØ 304, -Org. 12774, -10/11	Diesel	FWD	1997	120	163	11.10-12.18	■
2.0 BlueHDi 180 (AHW (DW10FC))	discØ 304	Diesel	FWD	1997	133	180	04.14-12.18	■
2.0 HDi 180 RXH	discØ 304	Diesel	FWD	1997	133	181	10.14-12.18	■
2.2 HDi (4HL (DW12C))	discØ 304, -Org. 12774, -10/11	Diesel	FWD	2179	150	204	11.10-12.18	■

## PEUGEOT (DF-PSA)

<b>508 07.11-</b>				<b>Saloon (Large family car-D Segment)</b>				
2.0		Gasolina	FWD	1997	108	147	07.11-	■
2.3		Gasolina	FWD	2253	126	171	07.11-	■
1.6 THP		Gasolina	FWD	10598	123	167	01.15-	■