

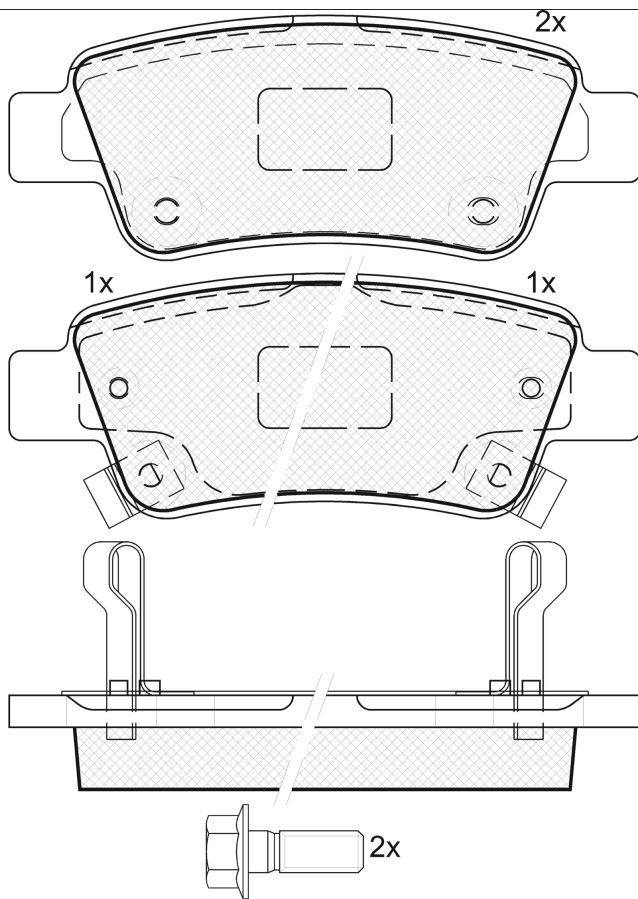
LISTA DE APLICACIONES - BUYERS GUIDE

181888



Qty: 300 Weight: 975

O.E.M.	MAKE
43022-SWW-G00	HONDA
43022-SWW-G01	HONDA
43022-SWW-G02	HONDA
43022-SWW-G03	HONDA
43022-T1G-G00	HONDA



1 - Ref. 690059

181888

E 9 90R-01111/2351



Bosch

108.8x42.25x16.9

WVA	FMSI
24635	D1947-9171
24636	
24637	
25249	

MAKE
HONDA
HONDA (DONGFENG)



Trac.	CC	Kw	CV



Front / Rear

HONDA

CR-V III (RE_) 06.06-

SUV (Compact SUV-J Segment)

2.0 i-VTEC (RE5)	Gasolina	FWD	1997	105	143	11.09-06.12	■
2.0 i-VTEC (RE5, RE1) (R20A1)	Gasolina	FWD	1997	110	150	01.07-06.12	■
2.0 i-VTEC (RE5, RE1) (R20A2)	Gasolina	FWD	1997	110	150	01.07-06.12	■
2.0 i-VTEC 4WD (RE5, RE2) (R20A1)	Gasolina	4WD	1997	110	150	10.06-06.12	■
2.0 i-VTEC 4WD (RE5, RE2) (R20A2)	Gasolina	4WD	1997	110	150	10.06-06.12	■
2.0 Flex	Gasolina	FWD	1997	114	155	01.07-	■
2.4 i-VTEC	Gasolina	FWD	2354	118	161	10.06-	■
2.4 i-VTEC 4WD (RE4) (K24Z1)	Gasolina	4WD	2354	118	160	10.06-10.12	■
2.4 i-VTEC 4WD (RE7) (K24Z1)	Gasolina	4WD	2354	122	166	09.09-12.12	■
2.4 i-VTEC 4WD (RE7) (K24Z4)	Gasolina	4WD	2354	122	166	09.09-12.12	■
2.4 (RE3) (K24Z1)	Gasolina	FWD	2354	124	168	06.06-06.12	■
2.4 4WD (RE4) (K24A)	Gasolina	4WD	2354	124	168	09.06-06.12	■
2.4 4WD (RE4) (K24Z1)	Gasolina	4WD	2354	124	168	09.06-06.12	■
2.4 (RE3) (K24A1)	Gasolina	FWD	2354	125	170	04.07-12.12	■
2.4 i-VTEC 4WD (RE4) (K24Z1)	Gasolina	4WD	2354	125	170	04.07-12.12	■
2.4	Gasolina	FWD	2354	134	182	06.06-06.12	■
2.4	Gasolina	FWD	2354	134	182	06.06-06.12	■
2.2 i-DTEC 4WD (RE6) (N22B3)	Diesel	4WD	2199	110	150	01.07-06.12	■
2.2 i-CTDi 4WD (RE6) (N22A2)	Diesel	4WD	2204	103	140	01.07-02.10	■

CR-V IV (RM_) 01.12-

SUV (Compact SUV-J Segment)

2.0 (RM1) (R20A)	Gasolina	FWD	1997	110	150	01.12-12.18	■
2.0 AWD (RE5, RM2) (R20A6)	Gasolina	4WD	1997	114	155	10.12-12.18	■
2.0 AWD (RE5, RM2) (R20A9)	Gasolina	4WD	1997	114	155	10.12-12.18	■

LISTA DE APLICACIONES - BUYERS GUIDE

2.0 Flex		Gasolina	FWD	1997	114	155	07.15-	■
2.0 iVtec (RE5, RM1) (R20A5)		Gasolina	FWD	1997	114	155	10.12-12.18	■
2.0 iVtec (RE5, RM1) (R20A6)		Gasolina	FWD	1997	114	155	10.12-12.18	■
2.0 iVtec (RE5, RM1) (R20A9)		Gasolina	FWD	1997	114	155	10.12-12.18	■
2.4 i-VTEC (RM1)		Gasolina	FWD	2354	125	170	01.12-	■
2.4 i-VTEC 4WD (RM4)		Gasolina	4WD	2354	125	170	01.12-	■
2.4		Gasolina	FWD	2354	132	180	09.13-	■
2.4 AWD (RM4, RE7) (K24Z6)		Gasolina	4WD	2354	132	180	01.12-12.16	■
2.4 4WD (K24A1)		Gasolina	4WD	2354	136	185	01.12-12.17	■
2.4 i-VTEC (K24W9)		Gasolina	FWD	2354	136	185	01.15-12.16	■
2.4 (RM3, RM1) (K24Z7)		Gasolina	FWD	2354	138	188	01.12-12.16	■
2.4 4WD (K24Z7)		Gasolina	4WD	2354	138	188	09.12-12.16	■
2.4 (RM3)		Gasolina	FWD	2354	140	190	09.12-	■
2.4 AWD (RM4) (K24Z9)		Gasolina	4WD	2354	140	190	01.12-12.18	■
2.4		Gasolina	FWD	2356	129	175	09.12-	■
2.4 4WD		Gasolina	4WD	2356	129	175	09.12-	■
2.4 AWD (K24W)		Gasolina	4WD	2356	136	185	01.15-	■
2.0 Flex (RE5) (R20A1)		Gasol./Etanol	FWD	1997	114	155	01.13-	■
2.4 i-VTEC Flexfuel (RM1)		Gasol./Etanol	FWD	2354	125	170	01.13-	■
2.4 i-VTEC Flexfuel 4WD (RM4)		Gasol./Etanol	4WD	2354	125	170	01.13-	■
1.6 i-DTEC (RE6) (N16A1)		Diesel	FWD	1597	88	120	10.13-08.18	■
1.6 i-DTEC 4WD (RE6) (N16A4)		Diesel	4WD	1597	118	160	02.15-08.18	■
2.2 i-DTEC 4WD (RE6)		Diesel	4WD	2199	110	150	11.12-05.15	■
2.2 i-DTEC AWD (RE6) (N22B4)		Diesel	4WD	2199	110	150	10.12-	■

HONDA (DONGFENG)

								Closed Off-Road Vehicle (Compact SUV-J Segment)
CR-V III (RE_) 03.07-								
2.0		Gasolina	FWD	1997	110	150	03.10-	■
2.0		Gasolina	FWD	1998	110	148	03.07-	■
2.0		Gasolina	FWD	1998	110	150	03.08-	■
2.4		Gasolina	FWD	2354	125	170	03.10-	■
2.4		Gasolina	FWD	2354	125	168	06.04-02.07	■
CR-V IV (RM_) 02.12-								Closed Off-Road Vehicle (Compact SUV-J Segment)
2.0		Gasolina	FWD	1997	114	155	02.12-	■
2.0		Gasolina	FWD	1997	114	155	02.12-	■
2.4		Gasolina	FWD	2354	140	190	02.12-	■