

# LISTA DE APLICACIONES - BUYERS GUIDE

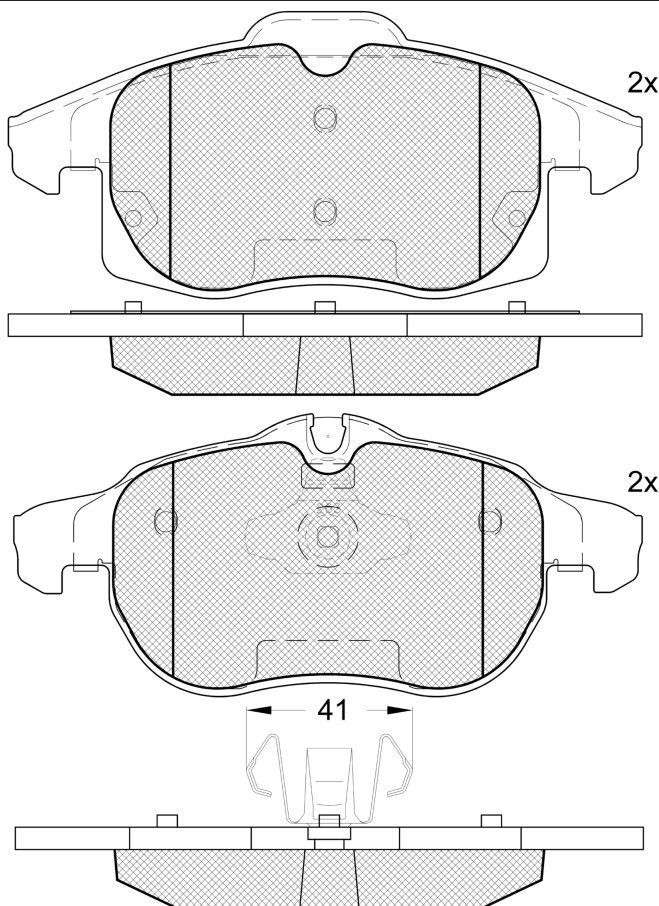
## 181891



Qty: 300

Weight: 2.156

O.E.M.	MAKE
16 05 137	OPEL
86 60 004 795	RENAULT
86 71 019 125	RENAULT
93 18 811 2	SAAB
93 188 112	VAUXHALL



## 181891

**E 9** 90R-01111/2527



Ate - Teves

155.1x69.82x20.6

156.4x70.87x20.6

WVA	FMSI
23738	D1388-8497
24155	

MAKE
BAIC
OPEL
SAAB
VAUXHALL



Trac.	CC	Kw	CV		Front / Rear
-------	----	----	----	--	--------------

### BAIC

<b>SENOVA CC 04.15-</b>								<b>Saloon ( )</b>
1.8 T (B185RGA)		Gasolina	FWD	1799	130	177	04.15-	■
2.0 T (B205RGA)		Gasolina	FWD	1992	150	204	04.15-	■

### OPEL

<b>SIGNUM (Z03) 05.03-</b>								<b>Hatchback (Large family car-D Segment)</b>
1.8 (F48) (Z 18 XE)	01/04-	Gasolina	FWD	1796	90	122	05.03-07.05	■
1.8 (F48) (Z 18 XER)	01/06-	Gasolina	FWD	1796	103	140	09.05-12.08	■
2.0 Turbo (F48) (Z 20 NET)	01/04-, ch. 61000001-	Gasolina	FWD	1998	129	175	05.03-12.08	■
2.2 direct (F48) (Z 22 YH)	01/04-	Gasolina	FWD	2198	114	155	05.03-09.08	■
3.2 V6 (F48) (Z 32 SE)	01/04-	Gasolina	FWD	3175	155	211	05.03-07.05	■
1.9 CDTI (F48) (Z 19 DTL)	ch. 61000001-	Diesel	FWD	1910	74	100	08.05-02.08	■
1.9 CDTI (F48) (Z 19 DT)	ch. 61000001-	Diesel	FWD	1910	88	120	04.04-02.08	■
1.9 CDTI (F48) (Z 19 DTH)	ch. 61000001-	Diesel	FWD	1910	110	150	04.04-02.08	■
2.0 DTI (F48) (Y 20 DTH)	01/04-	Diesel	FWD	1995	74	100	05.03-04.04	■
2.2 DTI (F48) (Y 22 DTR)	01/04-	Diesel	FWD	2172	92	125	05.03-04.04	■
3.0 V6 CDTI (F48) (Y 30 DT)	01/04-	Diesel	FWD	2958	130	177	05.03-07.05	■

<b>VECTRA C (Z02) 10.03-</b>								<b>Estate (Large family car-D Segment)</b>
1.6 16V (F35) (Z 16 XE)	01/05-, ch. 61000001, 68	Gasolina	FWD	1598	74	100	06.04-09.05	■
1.6 (F35) (Z 16 XEP)	ch. 61000001, 68	Gasolina	FWD	1598	77	105	12.05-08.08	■
1.8 (F35) (Z 18 XE)	01/04-, ch. 61000001, 68	Gasolina	FWD	1796	90	122	10.03-09.06	■
1.8 (F35) (Z 18 XER)	ch. 61000001, 68	Gasolina	FWD	1796	103	140	08.05-08.08	■
2.0 Turbo (F35) (Z 20 NET)	ch. 61000001, 68	Gasolina	FWD	1998	129	175	10.03-08.08	■
2.2 direct (F35) (Z 22 YH)	01/04-, ch. 61000001, 68	Gasolina	FWD	2198	114	155	10.03-08.08	■

# LISTA DE APLICACIONES - BUYERS GUIDE

1.9 CDTI (F35) (Z 19 DTL)	ch. 61000001, 68	Diesel	FWD	1910	74	100	06.05-08.08	■	
1.9 CDTI (F35) (Z 19 DT)	-12/08, ch. 61000001, 68	Diesel	FWD	1910	88	120	04.04-01.09	■	
1.9 CDTI (F35) (Z 19 DTH)	ch. 61000001, 68	Diesel	FWD	1910	110	150	04.04-08.08	■	
2.0 DTI (F35) (Y 20 DTH)	01/04-	Diesel	FWD	1995	74	100	10.03-08.05	■	
2.2 DTI (F35) (Y 22 DTR)	01/04-	Diesel	FWD	2172	92	125	10.03-12.05	■	
<b>VECTRA C (Z02) 08.02-</b>							<b>Hatchback (Large family car-D Segment)</b>		
1.6 (F68) (Z 16 XE)	ch. 61000001, 68	Gasolina	FWD	1598	74	100	08.05-08.08	■	
1.6 (F68) (Z 16 XEP)	ch. 61000001, 68	Gasolina	FWD	1598	77	105	01.06-08.08	■	
1.8 16V (F68) (Z 18 XEL)	ch. 61000001, 68	Gasolina	FWD	1796	81	110	08.02-12.06	■	
1.8 16V (F68) (Z 18 XE)	01/04-, ch. 61000001, 68	Gasolina	FWD	1796	90	122	08.02-09.08	■	
1.8 (F68) (Z 18 XER)	ch. 61000001, 68	Gasolina	FWD	1796	103	140	08.05-08.08	■	
2.0 16V Turbo (F68) (Z 20 NET)	ch. 61000001, 68	Gasolina	FWD	1998	129	175	03.03-08.08	■	
2.2 16V (F68) (Z 22 SE)	01/04-, ch. 61000001, 68	Gasolina	FWD	2198	108	147	08.02-08.08	■	
2.2 DGi (F68) (Z 22 YH)	01/04-, ch. 61000001, 68	Gasolina	FWD	2198	114	155	10.03-08.08	■	
1.9 CDTI (F68) (Z 19 DTL)	ch. 61000001, 68	Diesel	FWD	1910	74	100	06.05-08.08	■	
1.9 CDTI (F68) (Z 19 DT)	-12/08, ch. 61000001, 68	Diesel	FWD	1910	88	120	04.04-01.09	■	
1.9 CDTI (F68) (Z 19 DTH)	ch. 61000001, 68	Diesel	FWD	1910	110	150	04.04-08.08	■	
2.0 DTI 16V (F68) (Y 20 DTH)	01/04-	Diesel	FWD	1995	74	101	08.02-08.05	■	
2.2 DTI 16V (F68) (Y 22 DTR)		Diesel	FWD	2172	86	117	08.02-06.08	■	
2.2 DTI 16V (F68) (Y 22 DTR)	01/04-	Diesel	FWD	2172	92	125	08.02-07.06	■	
<b>VECTRA C (Z02) 04.02-</b>							<b>Saloon (Large family car-D Segment)</b>		
1.6 16V (F69) (Z 16 XE)	ch. 61000001, 68	Gasolina	FWD	1598	74	100	04.02-10.05	■	
1.6 (F69) (Z 16 XEP)	ch. 61000001, 68	Gasolina	FWD	1598	77	105	08.05-08.08	■	
1.8 (F69) (Z 18 XEL)	01/04-, ch. 61000001, 68	Gasolina	FWD	1796	81	110	04.02-07.08	■	
1.8 16V (Z 18 XE)	01/04-, ch. 61000001, 68	Gasolina	FWD	1796	90	122	04.02-09.08	■	
1.8 (F69) (Z 18 XER)	ch. 61000001, 68	Gasolina	FWD	1796	103	140	08.05-08.08	■	
2.0 16V Turbo (F69) (Z 20 NET)	ch. 61000001, 68	Gasolina	FWD	1998	129	175	03.03-08.08	■	
2.2 16V (F69) (Z 22 SE)	01/04-, ch. 61000001, 68	Gasolina	FWD	2198	108	147	04.02-12.08	■	
2.2 DGi (F69) (Z 22 YH)	01/04-, ch. 61000001, 68	Gasolina	FWD	2198	114	155	10.03-08.08	■	
1.9 CDTI (F69) (Z 19 DTL)	ch. 61000001, 68	Diesel	FWD	1910	74	100	10.05-08.08	■	
1.9 CDTI (F69) (Z 19 DT)	-12/08, ch. 61000001, 68	Diesel	FWD	1910	88	120	04.04-01.09	■	
1.9 CDTI (F69) (Z 19 DTH)	ch. 61000001, 68	Diesel	FWD	1910	110	150	04.04-08.08	■	
2.0 DTI 16V (F69) (Y 20 DTH)	01/04-	Diesel	FWD	1995	74	101	04.02-08.06	■	
2.2 DTI 16V (F69) (Y 22 DTR)	01/04-	Diesel	FWD	2172	92	125	04.02-07.04	■	
<b>SAAB</b>									
<b>9-3 II (YS3F) 08.03-02.15</b>							<b>Convertible (Compact executive car-D Segment)</b>		
1,8t (B207E)	Rim 16, Type No EE.UU, Canada	Gasolina	FWD	1998	110	150	08.03-02.15	■	
2.0 T (B207G)	Rim 16, Type No EE.UU, Canada	Gasolina	FWD	1998	120	163	01.11-02.15	■	
2.0 T (B207L)	01/09-, Rim 16, Type No EE.UU, Canada	Gasolina	FWD	1998	129	175	08.03-02.15	■	
2.0 (B207L)		Gasolina	FWD	1998	143	194	04.06-09.07	■	
2.0 t Biopower	01/09-	Gasolina	FWD	1998	145	197	06.07-	■	
2.0 T (B207R)	01/09-, Rim 16, Type No EE.UU, Canada	Gasolina	FWD	1998	154	210	08.03-02.15	■	
2.0 T (A 20 NFT)	Rim 16, Type No EE.UU, Canada	Gasolina	FWD	1998	162	220	01.11-02.15	■	
2.0 Turbo Performance (B207R)		Gasolina	FWD	1998	185	252	04.04-02.15	■	
2.8 Turbo V6 (LP9)	Rim 16, Type No EE.UU, Canada	Gasolina	FWD	2792	169	230	02.06-02.15	■	
2.8 Turbo V6 (LP9)	Rim 16, Type No EE.UU, Canada	Gasolina	FWD	2792	184	250	02.06-02.15	■	

# LISTA DE APLICACIONES - BUYERS GUIDE

2.8 Turbo V6 (B284L)	01/09-, Rim 16, Type No EE.UU, Canada	Gasolina	FWD	2792	188	256	12.07-02.15	■	
2.8 Turbo V6 (B284R)	Rim 16, Type No EE.UU, Canada	Gasolina	FWD	2792	203	276	02.09-02.15	■	
2.8 Turbo V6 (B284R)	Rim 16, Type No EE.UU, Canada	Gasolina	FWD	2792	206	280	02.09-02.15	■	
1,8t BioPower (B207E)		Gasol./Et anol	FWD	1998	110	150	01.07-02.15	■	
2.0 t Biopower (B207H)	Rim 16, Type No EE.UU, Canada	Gasol./Et anol	FWD	1998	120	163	01.11-02.15	■	
2.0 t Biopower (B207L)	01/09-, Rim 16, Type No EE.UU, Canada	Gasol./Et anol	FWD	1998	129	175	01.07-02.15	■	
2.0 t Biopower (B207L)	01/09-, Rim 16, Type No EE.UU, Canada	Gasol./Et anol	FWD	1998	129	175	01.07-02.15	■	
2.0 t Biopower		Gasol./Et anol	FWD	1998	145	197	06.07-02.15	■	
2.0 t Biopower (B207M)	01/09-, Rim 16, Type No EE.UU, Canada	Gasol./Et anol	FWD	1998	147	200	06.07-02.15	■	
2.0 t Biopower (A 20 NFT)	Rim 16, Type No EE.UU, Canada	Gasol./Et anol	FWD	1998	162	220	01.11-02.15	■	
1.9 TTiD (A 19 DTR)	Rim 16, Type No EE.UU, Canada	Diesel	FWD	1910	96	130	12.07-02.15	■	
1.9 TiD (Z 19 DTH)	01/09-, Rim 16, Type No EE.UU, Canada	Diesel	FWD	1910	110	150	01.06-02.15	■	
1.9 TTiD (A 19 DTR)	Rim 16, Type No EE.UU, Canada	Diesel	FWD	1910	118	160	12.07-02.15	■	
1.9 TTiD (A 19 DTR)	01/09-, Rim 16, Type No EE.UU, Canada	Diesel	FWD	1910	132	180	12.07-02.15	■	
1.9 TTiD (Z 19 DTR)	01/09-, Rim 16, Type No EE.UU, Canada	Diesel	FWD	1910	132	180	12.07-02.15	■	
<b>9-3 II (E50) 03.05-02.15</b>							<b>Estate (Compact executive car-D Segment)</b>		
1.8 i (Z 18 XE)	Rim 16	Gasolina	FWD	1796	90	122	03.05-02.15	■	
1.8 T (B207E)	01/09-, Rim 16	Gasolina	FWD	1998	110	150	03.05-02.15	■	
1.8 T (B207E)		Gasolina	FWD	1998	110	150	03.05-02.15	■	
2.0 T (B207E)	01/09-, Rim 16	Gasolina	FWD	1998	110	150	03.05-02.15	■	
2.0 T (B207G)	Rim 16	Gasolina	FWD	1998	120	163	01.07-02.15	■	
2.0 t XWD (B207G)	Rim 16	Gasolina	4WD	1998	120	163	01.07-02.15	■	
2.0 T (B207L)	01/09-, Rim 16	Gasolina	FWD	1998	129	175	03.05-02.15	■	
2.0 T16 (B207L)		Gasolina	FWD	1998	143	194	04.06-02.15	■	
2.0 T (B207M)	Rim 16	Gasolina	FWD	1998	147	200	02.09-02.15	■	
2.0 T (B207R)	Rim 16	Gasolina	FWD	1998	154	209	03.05-02.15	■	
2.0 t XWD (B207R)	Rim 16	Gasolina	4WD	1998	154	209	06.08-02.15	■	
2.0 T (A 20 NFT)	Rim 16	Gasolina	FWD	1998	162	220	01.11-02.15	■	
2.0 t XWD (A 20 NFT)	Rim 16	Gasolina	4WD	1998	162	220	01.11-02.15	■	
2.0 T (B207R)		Gasolina	FWD	1998	177	241	05.09-02.15	■	
2.0 t XWD (B207R)	discØ 302, Rim 16	Gasolina	4WD	1998	177	241	05.09-02.15	■	
2.8 Turbo V6 (B284L)	Rim 16	Gasolina	FWD	2792	169	230	03.05-02.15	■	
2.8 Turbo V6 (LP9)	Rim 16	Gasolina	FWD	2792	184	250	03.05-02.15	■	
2.8 Turbo V6 (B284L)	Rim 16	Gasolina	FWD	2792	188	256	12.07-02.15	■	
2.8 Turbo V6 XWD (B284R)	Rim 16	Gasolina	4WD	2792	206	280	05.08-12.11	■	
2.0 t Biopower (B207E)		Gasol./Et anol	FWD	1998	110	150	01.07-02.15	■	
2.0 t Biopower (B207H)	Rim 16	Gasol./Et anol	FWD	1998	120	163	01.11-02.15	■	
2.0 t BioPower XWD (B207H)	Eq.V_ 15",16", ch. 51046734-	Gasol./Et anol	4WD	1998	120	163	01.07-02.15	■	
2.0 t Biopower (B207L)	01/09-, Rim 16	Gasol./Et anol	FWD	1998	129	175	01.07-02.15	■	
2.0 t Biopower (B207R)	01/09-	Gasol./Et anol	FWD	1998	145	197	06.07-02.15	■	
2.0 t Biopower (B207M)	Rim 16	Gasol./Et anol	FWD	1998	147	200	02.09-02.15	■	

# LISTA DE APLICACIONES - BUYERS GUIDE

2.0 t BioPower XWD (B207R)	Rim 16	Gasol./Etanol	4WD	1998	154	209	06.08-02.15	■	
2.0 t Biopower (A 20 NFT)	Rim 16	Gasol./Etanol	FWD	1998	162	220	01.11-02.15	■	
2.0 t BioPower XWD (A 20 NFT)		Gasol./Etanol	4WD	1998	162	220	01.11-02.15	■	
1.9 TiD (Z 19 DT)	Rim 16	Diesel	FWD	1910	88	120	03.05-02.15	■	
1.9 TTiD (A 19 DTR)	Rim 16	Diesel	FWD	1910	96	130	12.07-02.15	■	
1.9 TiD (Z 19 DTH)	01/09-, Rim 16	Diesel	FWD	1910	110	150	03.05-02.15	■	
1.9 TTiD (A 19 DTR)	Rim 16	Diesel	FWD	1910	118	160	12.07-02.15	■	
1.9 TTiD (Z 19 DTR)	01/09-, Rim 16	Diesel	FWD	1910	132	180	12.07-02.15	■	
<b>9-3 II (YS3F, E79, D79, D75) 09.02-02.15</b>							<b>Saloon (Compact executive car-D Segment)</b>		
1.8 i (Z 18 XE)	Eq.V_ 15",16", 01/09-, ch. 51046734-	Gasolina	FWD	1796	90	122	01.04-02.15	■	
1,8t (B207E)	Eq.V_ 15",16", 01/09-, ch. 51046734-	Gasolina	FWD	1998	110	150	09.02-02.15	■	
2.0 T (B207G)	Eq.V_ 15",16", ch. 51046734-	Gasolina	FWD	1998	120	163	01.07-02.15	■	
2.0 t XWD (B207G)	Eq.V_ 15",16", ch. 51046734-	Gasolina	4WD	1998	120	163	01.07-02.15	■	
2.0 T (B207L)	Eq.V_ 15",16", 01/09-, ch. 51046734-	Gasolina	FWD	1998	129	175	09.02-02.15	■	
2.0 T16		Gasolina	FWD	1998	143	194	06.06-02.15	■	
2.0 T (B207R)	Eq.V_ 15",16", 01/09-, ch. 51046734-	Gasolina	FWD	1998	154	210	09.02-02.15	■	
2.0 Turbo XWD (B207R)	Eq.V_ 15",16", 01/09-, ch. 51046734-	Gasolina	4WD	1998	154	210	01.08-02.15	■	
2.0 T (A 20 NFT)	Eq.V_ 15",16", ch. 51046734-	Gasolina	FWD	1998	162	220	01.11-02.15	■	
2.0 t XWD (A 20 NFT)	Eq.V_ 15",16", ch. 51046734-	Gasolina	4WD	1998	162	220	01.08-02.15	■	
2.0 T (B207R)	Eq.V_ 15",16", ch. 51046734-	Gasolina	FWD	1998	177	241	05.09-02.15	■	
2.0 t XWD (B207R)		Gasolina	4WD	1998	177	241	05.09-02.15	■	
2.0 Turbo Performance (B207R)	01/09-	Gasolina	FWD	1998	185	252	04.04-02.15	■	
2.8 Turbo V6 (LP9)	Eq.V_ 15",16", ch. 51046734-	Gasolina	FWD	2792	169	230	03.05-02.15	■	
2.8 Turbo V6 (LP9)	Eq.V_ 15",16", 01/09-, ch. 51046734-	Gasolina	FWD	2792	184	250	03.05-02.15	■	
2.8 Turbo V6 (B284L)	Eq.V_ 15",16", 01/09-, ch. 51046734-	Gasolina	FWD	2792	188	256	12.07-02.15	■	
2.8 Turbo V6 XWD (B284R)	Eq.V_ 15",16", ch. 51046734-	Gasolina	4WD	2792	206	280	05.08-12.11	■	
1,8t BioPower (B207E)	01/09-	Gasol./Etanol	FWD	1998	110	150	01.07-02.15	■	
2.0 t Biopower (B207H)	Eq.V_ 15",16", ch. 51046734-	Gasol./Etanol	FWD	1998	120	163	01.07-02.15	■	
2.0 t BioPower XWD (B207H)	Eq.V_ 15",16", ch. 51046734-	Gasol./Etanol	4WD	1998	120	163	01.08-02.15	■	
1,8t BioPower (B207L)	Eq.V_ 15",16", ch. 51046734-	Gasol./Etanol	FWD	1998	129	175	05.09-12.11	■	
2.0 t Biopower (B207L)	Eq.V_ 15",16", 01/09-, ch. 51046734-	Gasol./Etanol	FWD	1998	129	175	01.07-02.15	■	
2.0 t Biopower (B207R)	01/09-	Gasol./Etanol	FWD	1998	145	197	06.07-02.15	■	
2.0 t Biopower (B207M)	Eq.V_ 15",16", ch. 51046734-	Gasol./Etanol	FWD	1998	147	200	05.09-02.15	■	
2.0 t Biopower (B207R)	Eq.V_ 15",16", 01/09-, ch. 51046734-	Gasol./Etanol	FWD	1998	154	210	09.02-02.15	■	
2.0 t BioPower XWD (B207R)	Eq.V_ 15",16", ch. 51046734-	Gasol./Etanol	4WD	1998	154	210	01.08-02.15	■	
2.0 t Biopower (A 20 NFT)	Eq.V_ 15",16", ch. 51046734-	Gasol./Etanol	FWD	1998	162	220	01.11-02.15	■	
2.0 t BioPower XWD (A 20 NFT)	Eq.V_ 15",16", ch. 51046734-	Gasol./Etanol	4WD	1998	162	220	01.08-02.15	■	
1.9 TiD (Z 19 DT)	Eq.V_ 15",16", ch. 51046734-	Diesel	FWD	1910	88	120	09.04-02.15	■	
1.9 TTiD (A 19 DTR)	Eq.V_ 15",16", ch. 51046734-	Diesel	FWD	1910	96	130	12.07-02.15	■	
1.9 TiD (Z 19 DTH)	Eq.V_ 15",16", 01/09-, ch. 51046734-	Diesel	FWD	1910	110	150	09.04-02.15	■	
1.9 TTiD (A 19 DTR)	Eq.V_ 15",16", ch. 51046734-	Diesel	FWD	1910	118	160	12.07-02.15	■	

# LISTA DE APLICACIONES - BUYERS GUIDE

1.9 TTiD (A 19 DTR)	Eq.V_ 15",16", 01/09-, ch. 51046734-	Diesel	FWD	1910	132	180	12.07-02.15	■	
1.9 TTiD (Z 19 DTR)	Eq.V_ 15",16", 01/09-, ch. 51046734-	Diesel	FWD	1910	132	180	12.07-02.15	■	
2.2 TiD (D223L)	Eq.V_ 15",16", ch. 51046734-	Diesel	FWD	2171	92	125	09.02-02.15	■	
<b>9-3X (YS3) 02.09-02.15</b>							<b>Estate (Compact executive car-D Segment)</b>		
2.0 t XWD (B207R)	Rim 16, Type No EE.UU, Canada, discØ 302	Gasolina	4WD	1998	154	209	02.09-02.15	■	
2.0 T16 XWD (A 20 NFT)		Gasolina	4WD	1998	162	220	01.11-02.15	■	
2.0 t BioPower XWD (B207R)	Rim 16, Type No EE.UU, Canada, discØ 302	Gasol./Et anol	4WD	1998	154	209	02.09-12.12	■	
2.0 t BioPower XWD (A 20 NFT)	Rim 16, Type No EE.UU, Canada, discØ 302	Gasol./Et anol	4WD	1998	162	220	01.11-12.12	■	
1.9 TTiD		Diesel	RWD	1910	96	131	01.10-	■	
1.9 TTiD AWD (A 19 DTR)	Rim 16, Type No EE.UU, Canada, discØ 302	Diesel	4WD	1910	132	180	02.09-12.12	■	
1.9 TTiD AWD (Z 19 DTR)	Rim 16, Type No EE.UU, Canada, discØ 302	Diesel	4WD	1910	132	180	02.09-12.12	■	
<b>VAUXHALL</b>									
<b>SIGNUM (Z03) 03.03-10.08</b>							<b>Hatchback (Large family car-D Segment)</b>		
1.8 (Z 18 XE)	01/04-	Gasolina	FWD	1796	90	122	06.03-07.05	■	
1.8 (Z 18 XER)	01/06-	Gasolina	FWD	1796	103	140	08.05-05.08	■	
2.0 i Turbo (Z 20 NET)	01/04-, ch. 61000001-	Gasolina	FWD	1998	129	175	03.03-10.08	■	
2.2 i (Z 22 YH)	01/04-	Gasolina	FWD	2198	114	155	05.03-05.08	■	
1.9 CDTI (Z 19 DT)		Diesel	FWD	1910	88	120	04.04-03.08	■	
1.9 CDTI 16V (Z 19 DTH)		Diesel	FWD	1910	110	150	04.04-03.08	■	
2.0 DTI (Y 20 DTH)	01/04-	Diesel	FWD	1994	74	100	05.03-04.04	■	
2.2 DTI (Y 22 DTR)	01/04-	Diesel	FWD	2172	92	125	05.03-05.08	■	
<b>VECTRA Mk II (C) (Z02) 10.03-05.09</b>							<b>Estate (Large family car-D Segment)</b>		
1.6 16V	ch. 61000001, 68	Gasolina	FWD	1598	74	100	06.04-07.08	■	
1.8 16V (Z 18 XE)	01/04-, ch. 61000001, 68	Gasolina	FWD	1796	90	122	10.03-08.05	■	
1.8 (Z 18 XER)	ch. 61000001, 68	Gasolina	FWD	1796	103	140	01.06-07.08	■	
2.0 16V Turbo (Z 20 NET)	ch. 61000001, 68	Gasolina	FWD	1998	129	175	10.03-07.08	■	
2.2 direct (Z 22 YH)	01/04-, ch. 61000001, 68	Gasolina	FWD	2198	114	155	10.03-07.08	■	
1.9 CDTI	ch. 61000001, 68	Diesel	RWD	1910	74	100	10.05-07.08	■	
1.9 CDTI (Z 19 DT)	ch. 61000001, 68	Diesel	FWD	1910	88	120	04.04-07.08	■	
1.9 CDTI 16V (Z 19 DTH)	ch. 61000001, 68	Diesel	FWD	1910	110	150	04.04-05.09	■	
2.0 DTI 16V (Y 20 DTH)	01/04-	Diesel	FWD	1995	74	101	10.03-07.08	■	
2.2 DTI 16V (Y 22 DTR)	01/04-	Diesel	FWD	2172	92	125	10.03-07.08	■	
<b>VECTRA Mk II (C) (Z02) 01.00-10.08</b>							<b>Saloon (Large family car-D Segment)</b>		
1.6 16V	ch. 61000001, 68	Gasolina	FWD	1598	74	100	06.04-07.08	■	
1.6	ch. 61000001, 68	Gasolina	FWD	1598	77	105	01.06-07.08	■	
1.8	01/04-, ch. 61000001-	Gasolina	FWD	1796	81	110	04.02-07.08	■	
1.8 16V (Z 18 XE)	01/04-, ch. 61000001, 68	Gasolina	FWD	1796	90	122	04.02-07.08	■	
1.8 (Z 18 XER)	ch. 61000001, 68	Gasolina	FWD	1796	103	140	01.06-07.08	■	
2.0 16V Turbo (Z 20 NET)	ch. 61000001, 68	Gasolina	FWD	1998	129	175	01.00-10.08	■	
2.2 16V (Z 22 SE)	ch. 61000001, 68	Gasolina	FWD	2198	108	147	01.02-10.08	■	
2.2 direct (Z 22 YH)	ch. 61000001, 68	Gasolina	FWD	2198	114	155	01.02-10.08	■	
1.8 16V Dualfuel (Z 18 XE)	01/04-, ch. 61000001, 68	Gasol./Gas (LPG)	FWD	1796	90	122	04.02-07.08	■	
1.9 CDTI	ch. 61000001, 68	Diesel	RWD	1910	74	100	10.05-07.08	■	
1.9 CDTI (Z 19 DT)	01/04-, ch. 61000001, 68	Diesel	FWD	1910	88	120	04.02-09.08	■	
1.9 CDTI 16V (Z 19 DTH)		Diesel	FWD	1910	110	150	04.04-08.08	■	
2.0 DTI 16V (Y 20 DTH)	01/04-	Diesel	FWD	1995	74	101	04.02-10.08	■	

## LISTA DE APLICACIONES - BUYERS GUIDE

2.2 DTI 16V (Y 22 DTR)	01/04-	Diesel	FWD	2172	92	125	04.02-10.08	■	
<b>VECTRA Mk II (C) GTS (Z02) 08.02-05.09</b>					<b>Hatchback (Large family car-D Segment)</b>				
1.6 16V	ch. 61000001, 68	Gasolina	FWD	1598	74	100	06.04-07.08	■	
1.6	ch. 61000001, 68	Gasolina	FWD	1598	77	105	01.06-07.08	■	
1.8 16V (Z 18 XE)	01/04-, ch. 61000001, 68	Gasolina	FWD	1796	90	122	08.02-07.08	■	
1.8 (Z 18 XER)	ch. 61000001, 68	Gasolina	FWD	1796	103	140	01.06-07.08	■	
2.0 16V Turbo (Z 20 NET)	01/04-, ch. 61000001, 68	Gasolina	FWD	1998	129	175	03.03-07.08	■	
2.2 16V (Z 22 SE)	01/04-, ch. 61000001, 68	Gasolina	FWD	2198	108	147	08.02-07.08	■	
2.2 direct (Z 22 YH)	01/04-, ch. 61000001, 68	Gasolina	FWD	2198	114	155	10.03-08.05	■	
1.8 16V Dualfuel (Z 18 XE)	01/04-, ch. 61000001, 68	Gasol./Gas (LPG)	FWD	1796	90	122	08.02-07.08	■	
1.9 CDTI	ch. 61000001, 68	Diesel	RWD	1910	74	100	10.05-07.08	■	
1.9 CDTI (Z 19 DT)	01/04-, ch. 61000001, 68	Diesel	FWD	1910	88	120	08.02-07.08	■	
1.9 CDTI 16V (Z 19 DTH)	ch. 61000001, 68	Diesel	FWD	1910	110	150	04.04-07.08	■	
2.0 DTI 16V (Y 20 DTH)	01/04-	Diesel	FWD	1995	74	101	08.02-07.08	■	
2.2 DTI 16V (Y 22 DTR)	01/04-	Diesel	FWD	2172	92	125	08.02-07.08	■	