

# LISTA DE APLICACIONES - BUYERS GUIDE

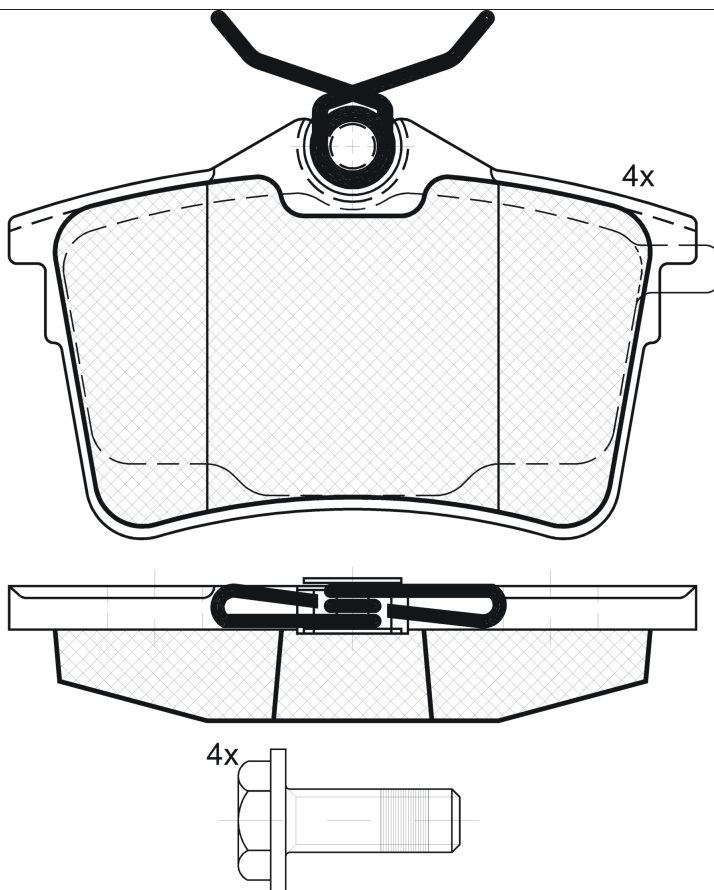
## 181895



Qty: 300

Weight: 955

O.E.M.	MAKE
16 085 204 80	CITROËN
16 118 379 80	PEUGEOT
16 131 934 80	DS
16 168 725 80	CITROËN
16 230 631 80	PEUGEOT
16 231 806 80	PEUGEOT
16 682 475 80	PEUGEOT
1617250180	PEUGEOT
1696258480	PEUGEOT
4254.14	PEUGEOT
4254.15	CITROËN
4254.29	PEUGEOT
86 60 004 490	RENAULT
86 71 019 156	RENAULT



1-Ref. 690064

## 181895

E 9 90R-01111/2525



Trw

86.9x53.04x16.6

WVA	FMSI
24765	D1926-9151
<b>MAKE</b>	
CITROËN	
DS	
PEUGEOT	



Trac.	CC	Kw	CV



Front / Rear

### CITROËN

#### BERLINGO II (B9) 04.08-

#### Box Body/MPV (LCVs-N1 Segment)

PureTech 110 (HNZ (EB2DT))		Gasolina	FWD	1199	81	110	01.18-12.18		■
1.6 (NFR (TU5JP4B))		Gasolina	FWD	1587	66	90	04.08-12.18		■
1.6 (NFU (TU5JP4))		Gasolina	FWD	1587	80	109	04.08-12.18		■
1.6 VTi 95 (5FK (EP6CB))		Gasolina	FWD	1598	72	98	07.10-12.18		■
1.6 VTi 120 (5FS (EP6C))		Gasolina	FWD	1598	88	120	11.09-12.18		■
Electric (Y4F1)		Eléctrico	FWD		35	48	01.13-		■
Electric (Y4F1)		Eléctrico	FWD		49	67	01.13-12.18		■
1.6 HDi / BlueHDi 75 (9HN (DV6ETED))		Diesel	FWD	1560	55	75	07.10-04.20		■
1.6 HDi / BlueHDi 75 (BHW (DV6FE))		Diesel	FWD	1560	55	75	07.10-04.20		■
1.6 HDi 75 (9HT (DV6BTED4))		Diesel	FWD	1560	55	75	04.08-12.18		■
1.6 HDi 75 (9HT (DV6BUTED4))		Diesel	FWD	1560	55	75	04.08-12.18		■
1.6 HDi 75 4x4 (9HN (DV6ETED))		Diesel	4WD	1560	55	75	02.12-12.18		■
1.6 HDi 90 (9HE (DV6DBM))		Diesel	FWD	1560	66	90	07.10-12.17		■
1.6 HDi 90 (9HF (DV6DTED))		Diesel	FWD	1560	66	90	07.10-12.17		■
1.6 HDi 90 16V (9HS (DV6TED4BU))		Diesel	FWD	1560	66	90	04.08-12.18		■
1.6 HDi 90 16V (9HX (DV6AUTED4))		Diesel	FWD	1560	66	90	04.08-12.18		■
1.6 HDi 90 4x4 (9HF (DV6DTED))		Diesel	4WD	1560	66	90	02.12-12.14		■
1.6 HDi 90 (9HJ (DV6DTEDM))		Diesel	FWD	1560	68	92	07.10-12.18		■
1.6 HDi 90 (9HP (DV6DTED))		Diesel	FWD	1560	68	92	07.10-12.18		■
1.6 BlueHDi 100 (BHY (DV6FD))		Diesel	FWD	1560	73	99	12.14-04.21		■
1.6 BlueHDi 100 4x4 (BHY (DV6FD))		Diesel	4WD	1560	73	99	12.14-12.18		■
1.6 HDi 110 (9HZ (DV6TED4))		Diesel	FWD	1560	80	109	04.08-12.18		■
1.6 HDi 110 (9HL (DV6C))		Diesel	FWD	1560	82	112	07.10-12.18		■

# LISTA DE APLICACIONES - BUYERS GUIDE

1.6 HDi 110 (9HR (DV6C))		Diesel	FWD	1560	82	112	07.10-12.18	■	
1.6 HDi 115 (9HL (DV6C))		Diesel	FWD	1560	84	114	07.10-12.18	■	
1.6 HDi 115 4x4		Diesel	4WD	1560	84	114	02.12-12.18	■	
1.6 BlueHDi 120 (BHZ (DV6FC))		Diesel	FWD	1560	88	120	12.14-08.18	■	
<b>BERLINGO II (B9) 04.08-</b>							<b>Platform/Chassis (LCVs-N1 Segment)</b>		
1.6 HDi 90 (9HF (DV6DTE))		Diesel	FWD	1560	66	90	07.10-12.18	■	
1.6 HDi 90 16V (9HX (DV6ATED4))		Diesel	FWD	1560	66	90	04.08-12.18	■	
1.6 HDi 92 (9HJ (DV6DTE))		Diesel	FWD	1560	68	92	07.10-12.17	■	
1.6 BlueHDi 100 (BHY (DV6FD))		Diesel	FWD	1560	73	99	12.14-04.21	■	
<b>BERLINGO II MULTISPACE (B9) 04.08-</b>							<b>MPV (Large MPV-M1 Segment)</b>		
1.2 PureTech 110 (HNZ (EB2DT))		Gasolina	FWD	1199	81	110	03.16-12.18	■	
1.4		Gasolina	FWD	1360	55	75	03.09-	■	
1.6 (NFR (TU5JP4B))		Gasolina	FWD	1587	66	90	04.08-12.18	■	
1.6 (NFU (TU5JP4))		Gasolina	FWD	1587	80	109	04.08-12.18	■	
1.6 (NFU (TU5JP4))	discØ 268	Gasolina	FWD	1587	81	110	11.08-12.18	■	
1.6 VTi 95 (5FK (EP6CB))		Gasolina	FWD	1598	72	98	07.10-12.18	■	
1.6 VTi 120 (5FS (EP6C))		Gasolina	FWD	1598	88	120	11.09-12.18	■	
Electric (Y4F1)		Eléctrico	FWD		49	67	09.17-12.18	■	
1.6 HDi 75 / BlueHDi 75 (9HN (DV6ETED))		Diesel	FWD	1560	55	75	04.08-04.20	■	
1.6 HDi 75 / BlueHDi 75 (BHW (DV6FE))		Diesel	FWD	1560	55	75	04.08-04.20	■	
1.6 HDi 75 16V (9HT (DV6BTED4))		Diesel	FWD	1560	55	75	04.08-12.18	■	
1.6 HDi 90 (9HV (DV6TED4B))		Diesel	FWD	1560	66	90	04.08-12.18	■	
1.6 HDi 90 (9HX (DV6ATED4))		Diesel	FWD	1560	66	90	04.08-12.18	■	
1.6 HDi 90 4x4 (9HF (DV6DTE))		Diesel	4WD	1560	66	90	02.12-12.14	■	
1.6 HDi 90 (9HJ (DV6DTE))		Diesel	FWD	1560	68	92	07.10-12.18	■	
1.6 HDi 90 (9HP (DV6DTE))		Diesel	FWD	1560	68	92	07.10-12.18	■	
1.6 BlueHDi 100 (BHY (DV6FD))		Diesel	FWD	1560	73	99	12.14-04.21	■	
1.6 HDi 110 (9HZ (DV6TED4))		Diesel	FWD	1560	80	109	04.08-12.18	■	
1.6 HDi 110 (9HL (DV6C))		Diesel	FWD	1560	82	112	07.10-12.18	■	
1.6 HDi 110 (9HR (DV6C))		Diesel	FWD	1560	82	112	07.10-12.18	■	
1.6 HDi 115 (9HR (DV6C))		Diesel	FWD	1560	84	114	07.10-12.18	■	
1.6 HDi 115 4x4 (9HR (DV6C))		Diesel	4WD	1560	84	114	02.12-12.18	■	
1.6 BlueHDi 120 (BHZ (DV6FC))		Diesel	FWD	1560	88	120	12.14-08.18	■	
<b>BERLINGO III (K9) 06.18-</b>							<b>Box Body/MPV (LCVs-N1 Segment)</b>		
PureTech 110 (HNP (EB2ADT))		Gasolina	FWD	1199	81	110	06.18-	■	
<b>BERLINGO / BERLINGO FIRST (M_) 07.96-12.11</b>							<b>Box Body/MPV (LCVs-N1 Segment)</b>		
1.6 16V (NFU (TU5JP4))		Gasolina	FWD	1587	81	110	08.05-12.07	■	
Electric		Eléctrico	FWD		42	57	01.10-12.10	■	
1.6 HDi 92 (9HJ (DV6DTE))		Diesel	FWD	1560	68	92	11.09-12.10	■	
1.6 HDi 92 (9HP (DV6DTE))		Diesel	FWD	1560	68	92	11.09-12.10	■	
<b>BERLINGO / BERLINGO FIRST (MF_, GJK_, GFK_) 07.96-12.11</b>							<b>MPV (Large MPV-M1 Segment)</b>		
1.6 HDi 90 (MF9HX) (9HX (DV6ATED4))		Diesel	FWD	1560	66	90	07.05-05.08	■	
1.6 HDi 92 (9HJ (DV6DTE))		Diesel	FWD	1560	68	92	11.09-12.10	■	
1.6 HDi 92 (9HP (DV6DTE))		Diesel	FWD	1560	68	92	11.09-12.10	■	
<b>C4 (LA_) 11.04-12.13</b>							<b>Coupe (Compact car-C Segment)</b>		
1.4 16V (KFU (ET3J4))		Gasolina	FWD	1360	65	88	11.04-07.11	■	
1.6 16V (NFU (TU5JP4))		Gasolina	FWD	1587	80	109	11.04-07.11	■	
1.6 VTi 120 (5FW (EP6))		Gasolina	FWD	1598	88	120	07.08-07.11	■	
1.6 THP (5FT (EP6DT))		Gasolina	FWD	1598	103	140	06.08-07.11	■	

# LISTA DE APLICACIONES - BUYERS GUIDE

1.6 THP 150 (5FX (EP6DT))		Gasolina	FWD	1598	110	150	07.08-07.11	■	
2.0 16V (RFN (EW10J4))		Gasolina	FWD	1997	100	136	11.04-07.07	■	
2.0 VTR (RFJ (EW10A))		Gasolina	FWD	1997	103	140	10.06-12.07	■	
2.0 16V (RFK (EW10J4S))		Gasolina	FWD	1997	130	177	11.04-12.10	■	
1.6 HDi (9HX (DV6ATED4))		Diesel	FWD	1560	66	90	11.04-07.11	■	
1.6 HDi (9HY (DV6TED4))		Diesel	FWD	1560	80	109	11.04-07.11	■	
1.6 HDi (9HZ (DV6TED4))		Diesel	FWD	1560	80	109	11.04-07.11	■	
2.0 HDi (RHR (DW10BTED4))		Diesel	FWD	1997	100	136	11.04-12.10	■	
2.0 HDi (RHF (DW10BTED4))		Diesel	FWD	1997	103	140	07.08-07.11	■	
<b>C4 (LR_) 02.05-12.10</b>							<b>Hatchback Van (Compact car-C Segment)</b>		
2.0 HDi (RHR (DW10BTED4))		Diesel	FWD	1997	100	136	02.05-12.10	■	
<b>C4 (LC_) 11.04-12.14</b>							<b>Hatchback (Compact car-C Segment)</b>		
1.4 16V (KFU (ET3J4))		Gasolina	FWD	1360	65	88	11.04-07.11	■	
1.6 16V (NFU (TU5JP4))		Gasolina	FWD	1587	80	109	11.04-07.11	■	
1.6 VTI 120 (5FW (EP6))		Gasolina	FWD	1598	88	120	07.08-07.11	■	
1.6 THP 140 (5FT (EP6DT))		Gasolina	FWD	1598	103	140	07.08-07.11	■	
1.6 THP 150 (5FX (EP6DT))		Gasolina	FWD	1598	110	150	07.08-07.11	■	
2.0 16V (RFN (EW10J4))		Gasolina	FWD	1997	100	136	11.04-07.07	■	
2.0 16V (RFJ (EW10A))		Gasolina	FWD	1997	103	140	11.04-07.11	■	
2.0 16V (RFJ (EW10A))		Gasolina	FWD	1997	105	143	09.06-07.09	■	
2.0 16V (RFK (EW10J4S))		Gasolina	FWD	1997	130	177	11.04-07.08	■	
1.6 16V Bio-Flex (NFU (TU5JP4))		Gasol./Etanol	FWD	1587	80	109	09.07-07.08	■	
1.6 HDi (9HX (DV6ATED4))		Diesel	FWD	1560	66	90	11.04-07.11	■	
1.6 HDi (9HY (DV6TED4))		Diesel	FWD	1560	80	109	11.04-07.11	■	
1.6 HDi (9HZ (DV6TED4))		Diesel	FWD	1560	80	109	11.04-07.11	■	
2.0 HDi (RHZ (DW10ATED))		Diesel	FWD	1997	81	110	04.07-07.08	■	
2.0 HDi (RHR (DW10BTED4))		Diesel	FWD	1997	100	136	11.04-07.11	■	
2.0 HDi (RHF (DW10BTED4))		Diesel	FWD	1997	103	140	07.08-07.11	■	
<b>C4 II (NC_) 11.09-</b>							<b>Hatchback Van (Compact car-C Segment)</b>		
1.6 HDi (9HP (DV6DTED))		Diesel	FWD	1560	68	92	06.10-	■	
1.6 HDi (9HR (DV6C))		Diesel	FWD	1560	82	111	11.09-	■	
<b>C4 II (NC_) 02.09-</b>							<b>Hatchback (Compact car-C Segment)</b>		
1.4 VTI 95 (NC8FP0) (8FP (EP3C))		Gasolina	FWD	1397	70	95	11.09-11.15	■	
1.6 VTI 120 (NC5FS0, NC5FS9) (5FS (EP6C))		Gasolina	FWD	1598	88	120	11.09-12.16	■	
1.6 THP 155 (5FV (EP6CDT))		Gasolina	FWD	1598	115	156	11.09-12.16	■	
1.6 VTI 120 LPG (NC5FS0) (5FS (EP6C))		Gasol./Gas (LPG)	FWD	1598	88	120	09.11-	■	
1.6 HDi 90 (9HJ (DV6DTEDM))		Diesel	FWD	1560	68	92	11.09-	■	
1.6 HDi 90 (9HP (DV6DTED))		Diesel	FWD	1560	68	92	11.09-	■	
1.6 HDi 110 (9HR (DV6C))		Diesel	FWD	1560	82	112	11.09-	■	
1.6 HDi 115 (9HD (DV6C))		Diesel	FWD	1560	84	114	07.12-	■	
1.6 BlueHDi 115 (BHX (DV6FC))		Diesel	FWD	1560	85	115	01.13-05.15	■	
<b>C4 / C4 PALLAS 07.06-</b>							<b>Saloon (Compact car-C Segment)</b>		
1.6 16V (NFU (TU5JP4))		Gasolina	FWD	1587	80	109	07.06-07.11	■	
2.0 16V (RFJ (EW10A))		Gasolina	FWD	1997	103	140	07.06-07.11	■	
1.6 HDi (9HY (DV6TED4))		Diesel	FWD	1560	80	109	07.06-07.11	■	
1.6 HDi (9HZ (DV6TED4))		Diesel	FWD	1560	80	109	07.06-07.11	■	

# LISTA DE APLICACIONES - BUYERS GUIDE

					<b>Hatchback (Compact car-C Segment)</b>				
<b>DS4 (NX_) 03.11-07.15</b>									
1.6 VTI 120 (5FS (EP6C))		Gasolina	FWD	1598	88	120	04.11-07.15	■	
1.6 THP 155 (5FV (EP6CDT))		Gasolina	FWD	1598	115	156	04.11-07.15	■	
1.6 HDi 90 (9HP (DV6DTE))		Diesel	FWD	1560	68	92	05.11-07.15	■	
1.6 HDi 110 (9HR (DV6C))		Diesel	FWD	1560	82	112	04.11-07.15	■	
1.6 HDi 115 (9HD (DV6C))		Diesel	FWD	1560	84	114	08.12-07.15	■	
<b>XSARA PICASSO (N68) 09.99-06.12</b>					<b>MPV (Compact MPV-M1 Segment)</b>				
1.6 (NFZ (TU5JP))		Gasolina	FWD	1587	67	91	06.02-08.05	■	
1.6 (NFV (TU5JP))		Gasolina	FWD	1587	70	95	12.99-12.10	■	
1.6 Chrono (NFV (TU5JP))		Gasolina	FWD	1587	74	101	04.01-10.04	■	
1.6 16V (NFU (TU5JP4))		Gasolina	FWD	1587	80	109	09.05-12.11	■	
1.6 16V (NFU (TU5JP4))		Gasolina	FWD	1587	81	110	06.05-09.06	■	
1.8 16V (6FZ (EW7J4))		Gasolina	FWD	1749	85	115	02.00-08.05	■	
2.0		Gasolina	FWD	1997	88	120	02.04-10.04	■	
2.0 16V (RFN (EW10J4))		Gasolina	FWD	1997	100	136	01.03-06.12	■	
2.0 16V (RFN (EW10J4))		Gasolina	FWD	1997	101	138	12.99-11.11	■	
1.6 16V LPG		Gasol./Gas (LPG)	FWD	1587	80	109	06.04-12.10	■	
1.6 HDi (9HX (DV6ATED4))		Diesel	FWD	1560	66	90	09.05-12.11	■	
1.6 HDi (9HY (DV6TED4))		Diesel	FWD	1560	80	109	05.04-12.11	■	
1.6 HDi (9HZ (DV6TED4))		Diesel	FWD	1560	80	109	05.04-12.11	■	
2.0 HDi (RHY (DW10TD))		Diesel	FWD	1997	66	90	12.99-12.11	■	
<b>DS</b>									
<b>DS 4 / DS 4 CROSSBACK (NX_) 07.15-</b>					<b>Hatchback (Compact car-C Segment)</b>				
1.6 THP 210 (5GM (EP6FDTX))		Gasolina	FWD	1598	155	210	07.15-12.18	■	
1.6 BlueHDi 100 (BHY (DV6FD))		Diesel	FWD	1560	73	99	04.16-12.18	■	
1.6 BlueHDi 120 (BHZ (DV6FC))		Diesel	FWD	1560	88	120	07.15-12.18	■	
2.0 BlueHDi 180 (AHW (DW10FC))		Diesel	FWD	1997	133	180	07.15-12.18	■	
<b>PEUGEOT</b>									
<b>207 SW (WK_) 08.07-12.12</b>					<b>Estate Van (Supermini car-B Segment)</b>				
1.6 HDi (9HX (DV6ATED4))		Diesel	FWD	1560	66	90	08.07-12.12	■	
<b>207 SW (WK_) 02.07-</b>					<b>Estate (Supermini car-B Segment)</b>				
1.6 HDi (9HV (DV6TED4B))		Diesel	FWD	1560	66	90	06.07-12.12	■	
1.6 HDi (9HV (DV6TED4BU))		Diesel	FWD	1560	66	90	06.07-12.12	■	
<b>307 (3B) 03.03-06.09</b>					<b>Convertible (Compact car-C Segment)</b>				
1.6 16V (NFU (TU5JP4))		Gasolina	FWD	1587	80	110	03.03-04.09	■	
2.0 16V (RFN (EW10J4))		Gasolina	FWD	1997	100	136	10.03-06.05	■	
2.0 16V (RFJ (EW10A))		Gasolina	FWD	1997	103	140	12.04-04.09	■	
2.0 16V (RFK (EW10J4S))		Gasolina	FWD	1997	130	177	10.03-04.09	■	
2.0 16V (RFK (EW10J4S))		Gasolina	FWD	1997	132	180	04.05-06.09	■	
2.0 HDi 135 (RHR (DW10BTED4))		Diesel	FWD	1997	100	136	06.05-04.09	■	
<b>307 (3E) 03.02-</b>					<b>Estate (Compact car-C Segment)</b>				
1.4 (KFW (TU3JP))		Gasolina	FWD	1360	55	75	04.02-09.03	■	
1.4 16V (KFU (ET3J4))		Gasolina	FWD	1360	65	88	11.03-07.07	■	
1.6 16V (NFU (TU5JP4))		Gasolina	FWD	1587	80	109	03.02-04.08	■	
2.0 (RFN (EW10J4))		Gasolina	FWD	1997	100	136	03.02-06.05	■	
2.0 16V (RFJ (EW10A))		Gasolina	FWD	1997	103	140	03.05-04.08	■	
2.0 16V (RFK (EW10J4S))		Gasolina	FWD	1997	130	177	06.05-04.08	■	

# LISTA DE APLICACIONES - BUYERS GUIDE

1.6 BioFlex (NFU (TU5JP4))		Gasol./Etanol	FWD	1587	80	109	09.07-04.08	■
1.4 HDi (8HZ (DV4TD))		Diesel	FWD	1398	50	68	03.02-06.05	■
1.6 HDi (9HV (DV6TED4B))		Diesel	FWD	1560	66	90	04.05-04.08	■
1.6 HDi (9HV (DV6TED4BU))		Diesel	FWD	1560	66	90	04.05-04.08	■
1.6 HDi (9HX (DV6ATED4))		Diesel	FWD	1560	66	90	04.05-04.08	■
1.6 HDi (9HX (DV6AUTED4))		Diesel	FWD	1560	66	90	04.05-04.08	■
1.6 HDi 110 (9HY (DV6TED4))		Diesel	FWD	1560	80	109	02.04-04.08	■
1.6 HDi 110 (9HZ (DV6TED4))		Diesel	FWD	1560	80	109	02.04-04.08	■
2.0 HDi 90 (RHY (DW10TD))		Diesel	FWD	1997	66	90	03.02-04.08	■
2.0 HDi 110 (RHS (DW10ATED))		Diesel	FWD	1997	79	107	03.02-12.09	■
2.0 HDi 135 (RHR (DW10BTED4))		Diesel	FWD	1997	100	136	02.04-04.08	■
							<b>Hatchback (Compact car-C Segment)</b>	
<b>307 (3A/C) 08.00-</b>								
1.4 (KFW (TU3JP))		Gasolina	FWD	1360	55	75	08.00-09.03	■
1.4 16V (KFU (ET3J4))		Gasolina	FWD	1360	65	88	11.03-07.07	■
1.6 16V (NFU (TU5JP4))		Gasolina	FWD	1587	80	109	08.00-11.07	■
1.6 (NFU (TU5JP4))		Gasolina	FWD	1587	81	110	07.06-04.12	■
2.0 16V (RFN (EW10J4))		Gasolina	FWD	1997	100	136	08.00-06.05	■
2.0 16V (RFJ (EW10A))		Gasolina	FWD	1997	103	140	03.05-11.07	■
2.0 (RFJ (EW10A))	France, Argentina, discØ 247	Gasolina	FWD	1997	105	143	08.08-12.11	■
2.0 (RFN (EW10J4))	France, Argentina, discØ 247	Gasolina	FWD	1997	105	143	08.08-12.11	■
2.0 16V (RFK (EW10J4S))		Gasolina	FWD	1997	130	177	06.05-11.07	■
1.6 BioFlex (NFU (TU5JP4))		Gasol./Etanol	FWD	1587	80	109	09.07-04.09	■
1.6 Flex (N6A (TU5JP4))		Gasol./Etanol	FWD	1587	83	113	07.06-12.12	■
1.4 HDi (8HX (DV4TD))		Diesel	FWD	1398	50	68	10.01-06.05	■
1.4 HDi (8HZ (DV4TD))		Diesel	FWD	1398	50	68	10.01-06.05	■
1.6 HDi (9HV (DV6TED4B))		Diesel	FWD	1560	66	90	04.05-03.09	■
1.6 HDi (9HV (DV6TED4BU))		Diesel	FWD	1560	66	90	04.05-03.09	■
1.6 HDi (9HX (DV6ATED4))		Diesel	FWD	1560	66	90	04.05-03.09	■
1.6 HDi 110 (9HY (DV6TED4))		Diesel	FWD	1560	80	109	02.04-03.09	■
1.6 HDi 110 (9HZ (DV6TED4))		Diesel	FWD	1560	80	109	02.04-03.09	■
2.0 HDi 90 (RHY (DW10TD))		Diesel	FWD	1997	66	90	08.00-03.07	■
2.0 HDi 110 (RHS (DW10ATED))		Diesel	FWD	1997	79	107	08.00-03.07	■
2.0 HDi 135 (RHR (DW10BTED4))		Diesel	FWD	1997	100	136	10.03-11.07	■
							<b>Estate Van (Compact car-C Segment)</b>	
<b>307 SW (3E_, 3H_) 04.02-12.09</b>								
1.4 HDi (8HZ (DV4TD))		Diesel	FWD	1398	51	69	04.02-06.05	■
1.6 HDi (9HX (DV6ATED4))		Diesel	FWD	1560	66	90	04.06-10.08	■
2.0 HDi (RHY (DW10TD))		Diesel	FWD	1997	66	90	04.03-04.08	■
2.0 HDi (RHZ (DW10ATED))		Diesel	FWD	1997	79	107	01.03-12.09	■
2.0 HDi (RHR (DW10BTED4))		Diesel	FWD	1997	100	136	04.04-11.07	■
							<b>Estate (Compact car-C Segment)</b>	
<b>307 SW (3H) 03.02-</b>								
1.4 (KFW (TU3JP))		Gasolina	FWD	1360	55	75	04.02-09.03	■
1.4 16V (KFU (ET3J4))		Gasolina	FWD	1360	65	88	11.03-07.07	■
1.6 16V (NFU (TU5JP4))		Gasolina	FWD	1587	80	109	03.02-04.08	■
2.0 16V (RFN (EW10J4))		Gasolina	FWD	1997	100	136	03.02-06.05	■
2.0 16V (RFJ (EW10A))		Gasolina	FWD	1997	103	140	03.05-04.08	■
1.6 BioFlex (NFU (TU5JP4))		Gasol./Etanol	FWD	1587	80	109	09.07-04.08	■
1.6 HDi 90 (9HV (DV6TED4B))		Diesel	FWD	1560	66	90	04.05-04.08	■
1.6 HDi 90 (9HV (DV6TED4BU))		Diesel	FWD	1560	66	90	04.05-04.08	■

# LISTA DE APLICACIONES - BUYERS GUIDE

1.6 HDi 90 (9HX (DV6ATED4))		Diesel	FWD	1560	66	90	04.05-04.08	■	
1.6 HDi 90 (9HX (DV6AUTED4))		Diesel	FWD	1560	66	90	04.05-04.08	■	
1.6 HDi 110 (9HY (DV6TED4))		Diesel	FWD	1560	80	109	11.03-12.07	■	
1.6 HDi 110 (9HZ (DV6TED4))		Diesel	FWD	1560	80	109	11.03-12.07	■	
2.0 HDi 90 (RHY (DW10TD))		Diesel	FWD	1997	66	90	03.02-04.08	■	
2.0 HDi 110 (RHS (DW10ATED))		Diesel	FWD	1997	79	107	03.02-12.09	■	
2.0 HDi 135 (RHR (DW10BTED4))		Diesel	FWD	1997	100	136	02.04-04.08	■	
<b>308 (4A_, 4C_) 09.07-</b>							<b>Hatchback (Compact car-C Segment)</b>		
1.6		Gasolina	FWD	1598	120	163	01.12-12.15	■	
1.6 GTI (EP6CDTX)		Gasolina	FWD	1598	147	200	07.10-10.14	■	
2.0 HDi (RHR (DW10BTED4))		Diesel	FWD	1997	103	140	07.10-12.12	■	
<b>308 SW (4E_, 4H_) 09.07-</b>							<b>Estate (Compact car-C Segment)</b>		
1.4 16V (8FS (EP3))	panorama sunroof	Gasolina	FWD	1397	70	95	09.07-10.14	■	
1.4 16V (8FR (EP3))	panorama sunroof	Gasolina	FWD	1397	72	98	12.09-10.14	■	
1.6 16V (5FW (EP6))	panorama sunroof	Gasolina	FWD	1598	88	120	09.07-10.14	■	
1.6 16V (EP6)	panorama sunroof	Gasolina	FWD	1598	88	120	09.07-10.14	■	
1.6 16V (5FT (EP6DT))	panorama sunroof	Gasolina	FWD	1598	103	140	09.07-10.14	■	
1.6 16V (5FX (EP6DT))	panorama sunroof	Gasolina	FWD	1598	110	150	09.07-10.14	■	
1.6 THP 16V (5FV (EP6CDT))	panorama sunroof	Gasolina	FWD	1598	115	156	10.09-10.14	■	
1.6 16V (5FY (EP6DTS))	panorama sunroof	Gasolina	FWD	1598	128	174	03.08-10.14	■	
2.0		Gasolina	FWD	1997	103	140	01.08-12.11	■	
1.6 BioFlex (NFU (TU5JP4))	panorama sunroof	Gasol./Etanol	FWD	1587	82	112	03.09-10.14	■	
2.0 Bioflex (RFJ (EW10A))	panorama sunroof	Gasol./Etanol	FWD	1997	103	140	01.08-12.11	■	
1.6 HDi (9HV (DV6TED4BU))	panorama sunroof	Diesel	FWD	1560	66	90	09.07-10.14	■	
1.6 HDi (9HX (DV6ATED4))	panorama sunroof	Diesel	FWD	1560	66	90	09.07-10.14	■	
1.6 HDi (9HP (DV6DTED))	panorama sunroof	Diesel	FWD	1560	68	92	11.09-10.14	■	
1.6 HDi (9HZ (DV6TED4))	panorama sunroof	Diesel	FWD	1560	80	109	09.07-10.14	■	
1.6 HDi (9HR (DV6C))	panorama sunroof	Diesel	FWD	1560	82	112	12.09-10.14	■	
1.6 HDi (9HD (DV6C))		Diesel	FWD	1560	84	114	03.13-10.14	■	
2.0 HDi (RHR (DW10BTED4))	discØ 268, panorama sunroof	Diesel	FWD	1997	100	136	09.07-12.12	■	
2.0 HDi (RHR (DW10BTED4))	discØ 268, panorama sunroof	Diesel	FWD	1997	103	140	09.07-10.14	■	
2.0 HDi (RHE (DW10CTED4))	-04/14, Eq.V_ - Break Loisirs, panorama sunroof	Diesel	FWD	1997	110	150	04.11-10.14	■	
2.0 HDi (RHH (DW10CTED4))	panorama sunroof, discØ 268	Diesel	FWD	1997	120	163	06.09-10.14	■	
<b>308 SW (4E_) 01.08-12.12</b>							<b>Estate Van (Compact car-C Segment)</b>		
1.6 HDi (9HX (DV6ATED4))		Diesel	FWD	1560	66	90	01.08-12.11	■	
1.6 HDi (9HZ (DV6TED4))		Diesel	FWD	1560	80	109	01.08-12.12	■	
2.0 HDi (RHR (DW10BTED4))		Diesel	FWD	1997	100	136	01.08-12.11	■	
<b>PARTNER / GRAND RAID / RANCH (5_, G_) 05.96-12.15</b>							<b>MPV (Compact MPV-M1 Segment)</b>		
1.6 HDi 92 (9HJ (DV6DTEDM))		Diesel	FWD	1560	68	92	11.09-12.10	■	
1.6 HDi 92 (9HP (DV6DTED))		Diesel	FWD	1560	68	92	11.09-12.10	■	
<b>PARTNER II 01.09-</b>							<b>Platform/Chassis (LCVs-N1 Segment)</b>		
1.6 HDi (9HT (DV6BTED4))		Diesel	FWD	1560	55	75	01.09-	■	
1.6 HDi (9HF (DV6DTED))		Diesel	FWD	1560	66	90	03.13-	■	
1.6 HDi 16V (9HS (DV6TED4BU))		Diesel	FWD	1560	66	90	01.09-	■	
1.6 HDi 16V (9HX (DV6ATED4))		Diesel	FWD	1560	66	90	01.09-	■	
1.6 BlueHdi 100 (BHY (DV6FD))		Diesel	FWD	1560	73	100	04.15-	■	

# LISTA DE APLICACIONES - BUYERS GUIDE

<b>PARTNER II / GRAND RAID / RANCH 04.08-</b>					<b>Box Body/MPV (LCVs-N1 Segment)</b>			
1.2 THP (HNZ (EB2DT))		Gasolina	FWD	1199	81	110	02.16-	■
1.6 (NFR (TU5JP4B))		Gasolina	FWD	1587	66	90	04.08-	■
1.6 (NFU (TU5JP4))		Gasolina	FWD	1587	80	109	04.08-	■
1.6 Flex		Gasolina	FWD	1587	81	110	09.08-	■
1.6 Flex		Gasolina	FWD	1587	83	113	07.10-	■
1.6 (5FK (EP6CB))		Gasolina	FWD	1598	72	98	11.10-	■
1.6 (5FS (EP6C))		Gasolina	FWD	1598	88	120	04.10-	■
Électrique		Eléctrico	FWD		49	67	06.13-	■
1.6 HDi (9HT (DV6BTED4))		Diesel	FWD	1560	55	75	04.08-	■
1.6 HDi (9HT (DV6BUTED4))		Diesel	FWD	1560	55	75	04.08-	■
1.6 HDi (9HW (DV6BTED4))		Diesel	FWD	1560	55	75	04.08-	■
1.6 HDi / BlueHdi 75 (9HK (DV6ETEDM))		Diesel	FWD	1560	55	75	07.11-	■
1.6 HDi / BlueHdi 75 (9HN (DV6ETED))		Diesel	FWD	1560	55	75	07.11-	■
1.6 HDi / BlueHdi 75 (BHW (DV6FE))		Diesel	FWD	1560	55	75	07.11-	■
1.6 HDi (9HF (DV6DTED))		Diesel	FWD	1560	66	90	12.11-	■
1.6 HDi 16V (9HS (DV6TED4BU))		Diesel	FWD	1560	66	90	04.08-	■
1.6 HDi 16V (9HX (DV6AUTED4))		Diesel	FWD	1560	66	90	04.08-	■
1.6 HDi 16V 4x4 (9HS (DV6TED4BU))		Diesel	4WD	1560	66	90	09.09-	■
1.6 HDi 16V 4x4 (9HX (DV6ATED4))		Diesel	4WD	1560	66	90	09.09-	■
1.6 HDi 16V 4x4 (9HX (DV6AUTED4))		Diesel	4WD	1560	66	90	09.09-	■
1.6 HDi		Diesel	FWD	1560	67	91	09.09-	■
1.6 HDi 16V (9HX (DV6ATED4))		Diesel	FWD	1560	68	92	04.10-	■
1.6 HDi 90 (9HJ (DV6DTEEDM))		Diesel	FWD	1560	68	92	04.10-	■
1.6 HDi 90 (9HP (DV6DTEED))		Diesel	FWD	1560	68	92	04.10-	■
1.6 BlueHdi 100 (BHY (DV6FD))		Diesel	FWD	1560	73	100	04.15-	■
1.6 HDi (9HZ (DV6TED4))		Diesel	FWD	1560	80	109	04.08-	■
1.6 HDi		Diesel	FWD	1560	82	112	08.10-	■
1.6 HDi (9HL (DV6C))		Diesel	FWD	1560	82	111	08.10-	■
1.6 HDi (9HL (DV6C))		Diesel	FWD	1560	84	114	03.13-	■
1.6 BlueHdi 120 (BHZ (DV6FC))		Diesel	FWD	1560	88	120	04.15-	■
<b>PARTNER II ORIGIN (G_) 07.08-12.15</b>					<b>Box Body/MPV (LCVs-N1 Segment)</b>			
1.4 (KFW (TU3JP))		Gasolina	FWD	1360	55	75	08.08-12.15	■
1.6 (NFU (TU5JP4))		Gasolina	FWD	1587	81	110	09.11-12.15	■
Electric (MD200175)		Eléctrico	FWD		42	57	01.11-12.12	■
1.6 HDi 75 (9HW (DV6BTED4))		Diesel	FWD	1560	55	75	08.08-12.15	■
1.6 HDi 90 (9HX (DV6ATED4))		Diesel	FWD	1560	66	90	08.08-12.15	■
<b>PARTNER II ORIGIN (G_) 07.08-12.13</b>					<b>MPV (Compact MPV-M1 Segment)</b>			
1.4 (KFW (TU3JP))		Gasolina	FWD	1360	55	75	07.08-12.13	■
1.6 16V (NFU (TU5JP4))		Gasolina	FWD	1587	81	110	09.11-12.13	■
1.6 HDi 75 (9HW (DV6BTED4))		Diesel	FWD	1560	55	75	08.08-12.13	■
<b>PARTNER II Tepee / GRAND RAID / RANCH 04.08-</b>					<b>MPV (Compact MPV-M1 Segment)</b>			
1.2 THP (HNV (EB2DTM))		Gasolina	FWD	1199	81	110	02.16-	■
1.2 THP (HNZ (EB2DT))		Gasolina	FWD	1199	81	110	02.16-	■
1.6 VTi (NFR (TU5JP4B))		Gasolina	FWD	1587	66	90	04.08-	■
1.6		Gasolina	FWD	1587	78	106	04.08-	■
1.6 VTi (NFU (TU5JP4))		Gasolina	FWD	1587	80	109	04.08-	■
1.6 Flex		Gasolina	FWD	1587	81	110	09.08-	■
1.6 VTi (NFU (TU5JP4))		Gasolina	FWD	1587	81	110	09.08-	■
1.6 VTi (5FK (EP6CB))		Gasolina	FWD	1598	72	98	08.10-	■

## LISTA DE APLICACIONES - BUYERS GUIDE

1.6		Gasolina	FWD	1598	81	110	09.08-	■
1.6 VTi (5FS (EP6C))		Gasolina	FWD	1598	88	120	09.09-04.16	■
Électrique (Y4F1)		Eléctrico	FWD		49	67	06.13-	■
1.6 HDi		Diesel	FWD	1560	55	75	04.08-	■
1.6 HDi / BlueHDi 75 (9HK (DV6ETEDM))		Diesel	FWD	1560	55	75	06.08-12.18	■
1.6 HDi / BlueHDi 75 (9HN (DV6ETED))		Diesel	FWD	1560	55	75	06.08-12.18	■
1.6 HDi / BlueHDi 75 (BHW (DV6FE))		Diesel	FWD	1560	55	75	06.08-12.18	■
1.6 HDi 75 (16V) (9HT (DV6BTED4))		Diesel	FWD	1560	55	75	06.08-	■
1.6 HDi (9HF (DV6DTE))		Diesel	FWD	1560	66	90	03.13-	■
1.6 HDi 16V (9HV (DV6TED4B))		Diesel	FWD	1560	66	90	04.08-	■
1.6 HDi 16V (9HV (DV6TED4BU))		Diesel	FWD	1560	66	90	04.08-	■
1.6 HDi 16V		Diesel	FWD	1560	68	92	04.10-	■
1.6 HDi 90 (9HJ (DV6DTE))		Diesel	FWD	1560	68	92	04.10-	■
1.6 HDi 90 (9HP (DV6DTE))		Diesel	FWD	1560	68	92	04.10-	■
1.6 HDi 90 4x4		Diesel	4WD	1560	68	92	07.12-	■
1.6 BlueHDi 100 (BHY (DV6FD))		Diesel	FWD	1560	73	100	12.14-	■
1.6 BlueHDi 100 4x4 (BHY (DV6FD))		Diesel	4WD	1560	73	100	04.15-	■
1.6 HDi (9HZ (DV6TED4))		Diesel	FWD	1560	80	109	04.08-	■
1.6 HDi (9HL (DV6C))		Diesel	FWD	1560	82	112	08.10-	■
1.6 HDi (9HL (DV6C))		Diesel	FWD	1560	84	114	03.13-	■
1.6 BlueHDi 120 (BHZ (DV6FC))		Diesel	FWD	1560	88	120	12.14-	■