

LISTA DE APLICACIONES - BUYERS GUIDE

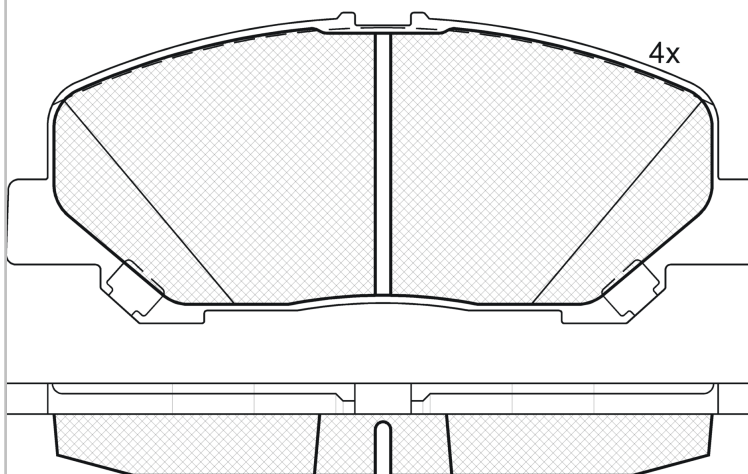
181897



Qty: 300

Weight: 1.950

O.E.M.	MAKE
04465-28520	TOYOTA



181897

E 9 90R-01111/2139



Akebono

147.6x60.8x18

WVA	FMSI
24601	D1524-8732
MAKE	
TOYOTA	



Trac.	CC	Kw	CV
-------	----	----	----



Front / Rear

TOYOTA

ALPHARD II (_H2_) 04.08-12.15							MPV (Large MPV-M1 Segment)			
2.4 (ANH20W) (2AZ-FE)	Caliper (1 piston)	Gasolina	FWD	2362	123	167	04.08-12.14	■		
2.4 (ANH20W, ANH20) (2AZ-FE)	Caliper (1 piston)	Gasolina	FWD	2362	125	170	05.08-12.14	■		
2.4 4WD (ANH25W) (2AZ-FE)	Caliper (1 piston)	Gasolina	4WD	2362	125	170	05.08-12.14	■		
3.5 (GGH20W) (2GR-FE)		Gasolina	FWD	3456	202	275	04.08-12.14	■		
3.5 (GGH20W, GGH20) (2GR-FE)	Caliper (1 piston)	Gasolina	FWD	3456	206	280	04.08-12.14	■		
3.5 4WD (GGH25W) (2GR-FE)	Caliper (1 piston)	Gasolina	4WD	3456	206	280	04.08-12.14	■		
2.4 Hybrid		Gasol./el éc.	FWD	2362	110	150	12.11-12.14	■		
ALPHARD III / VELLFIRE (_H3_) 02.15-							MPV (Large MPV-M1 Segment)			
2.5		Gasolina	FWD	2494	132	180	02.15-	■		
2.5		Gasolina	FWD	2494	134	182	02.15-	■		
2.5		Gasolina	FWD	2494	134	182	02.15-	■		
3.5 (GGH30W, GGH30) (2GR-FE)		Gasolina	FWD	3456	202	275	02.15-	■		
3.5		Gasolina	FWD	3456	206	280	02.15-	■		
3.5 (GGH30W)		Gasolina	FWD	3456	206	280	02.15-	■		
2.5 Hybrid		Gasol./el éc.	4WD	2494	112	152	02.15-	■		
PREVIA II / ESTIMA / TARAGO (_R3_) 02.00-02.06							MPV (Large MPV-M1 Segment)			
2.4 Hybrid		Gasolina	FWD	2362	96	131	10.05-01.06	■		
2.4		Gasolina	FWD	2362	125	170	10.05-01.06	■		
2.4		Gasolina	FWD	2362	125	170	10.05-01.06	■		
3.5 (ACR30)		Gasolina	FWD	3456	206	280	02.00-01.06	■		
3.5 4WD		Gasolina	4WD	3456	206	280	02.00-01.06	■		

LISTA DE APLICACIONES - BUYERS GUIDE

PREVIA III / ESTIMA / TARAGO (_R2_, _R5_) 10.05-					MPV (Large MPV-M1 Segment)			
2.4 Hybrid	01/08-	Gasolina	FWD	2362	110	150	10.06-	■
2.4 (ACR50_, ACR50R) (2AZ-FE)		Gasolina	FWD	2362	125	170	10.05-	■
3.5 (GSR50_, GSR50R) (2GR-FE)		Gasolina	FWD	3456	202	275	01.06-	■
3.5 (GSR50W, GSR50) (2GR-FE)		Gasolina	FWD	3456	206	280	01.06-	■
3.5 4WD (GSR55W)	01/10-	Gasolina	4WD	3456	206	280	01.06-	■
2.4 Hybrid (AHR20_) (2AZ-FXE)	Caliper (1 piston)	Gasol./el éc.	FWD	2362	110	150	06.06-	■
2.4 Hybrid 4WD (AHR20_, AHR20R)	Caliper (1 piston)	Gasol./el éc.	4WD	2362	110	150	05.12-	■