

LISTA DE APLICACIONES - BUYERS GUIDE

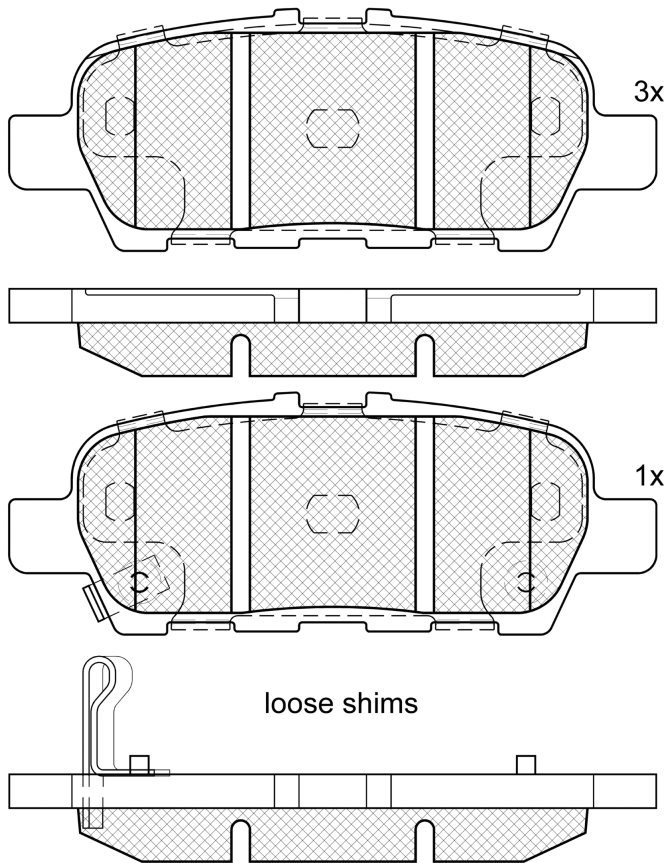
181901



Qty: 300

Weight: 795

O.E.M.	MAKE
55800-77K00	SUZUKI
55800-77K01	SUZUKI
55800-77K02	SUZUKI
55800-77K03	SUZUKI
55800-77K04	SUZUKI
55800-77K05	SUZUKI
D40603TA3A	NISSAN
D4060-6HH0A	NISSAN
D4060-9DL0B	NISSAN
D4060-9HE0B	NISSAN
D4060-9N00A	NISSAN
D4060-9N00B	NISSAN
D4060-9N00C	NISSAN
D4080-9N00A	NISSAN
D4M60-9N00A	INFINITI



181901

E 9 90R-01111/2443



Akebono

105.5x39.5x14.8

WVA	FMSI
24871	D1393-8501
24872	D1415-8405
MAKE	
INFINITI	
INFINITI (DFAC)	
MITSUBISHI	
NISSAN	
NISSAN (DFAC)	
RENAULT	
RENAULT (DFAC)	
SUZUKI	
VENUCIA	



Trac.	CC	Kw	CV
-------	----	----	----



Front / Rear

INFINITI

ESQ (JF15) 09.14-

						SUV (Mini SUV-J Segment)		
1.6	Gasolina	FWD	1598	85	116	09.14-	■	
1.6 AWD (MR16DDT)	Gasolina	4WD	1618	147	200	09.14-	■	

EX (S50_U.S.A.) 09.07-12.11

						Closed Off-Road Vehicle (Luxury Crossover SUV-J Segment)		
25	Gasolina	FWD	2495	173	235	01.10-12.11	■	
35	Gasolina	FWD	3498	234	318	01.10-12.11	■	

EX 09.07-

						SUV (Luxury Crossover SUV-J Segment)		
25 AWD	Gasolina	4WD	2495	163	222	09.07-	■	
25	Gasolina	FWD	2495	173	235	07.12-12.13	■	
25 (VQ25HR)	Gasolina	4WD	2495	175	238	04.10-12.13	■	
35 (VQ35HR)	Gasolina	4WD	3498	221	301	10.08-	■	
35 (VQ35HR)	Gasolina	RWD	3498	221	300	09.07-12.12	■	
37 (VQ37VHR)	Gasolina	4WD	3694	228	310	10.08-	■	
37 (VQ37VHR)	Gasolina	4WD	3696	235	320	09.10-	■	
37 (VQ37VH)	Gasolina	RWD	3696	242	329	09.12-	■	
37 AWD (VQ37VH)	Gasolina	4WD	3696	242	329	09.12-	■	
30d (V9X)	Diesel	4WD	2993	175	238	04.10-	■	

FX II (S51) 07.08-

						SUV (Luxury Crossover SUV-J Segment)		
35	Gasolina	RWD	3498	205	279	07.08-10.09	■	
35 AWD	Gasolina	4WD	3498	205	279	07.08-05.09	■	
35 AWD (VQ35HR)	Gasolina	4WD	3498	223	303	01.12-07.13	■	
35 (VQ35HR)	Gasolina	RWD	3498	226	307	10.08-12.11	■	

LISTA DE APLICACIONES - BUYERS GUIDE

35 AWD (VQ35HR)		Gasolina	4WD	3498	226	307	02.09-12.10	■	
37 AWD (VQ37VHR)		Gasolina	4WD	3696	242	329	09.12-	■	
37 A las 4 ruedas (VQ37VHR)		Gasolina	4WD	3696	258	351	07.12-12.13	■	
G IV (V36) 09.10-					Convertible (Compact executive car-D Segment)				
37 (VQ37VHR)	not sport chassis	Gasolina	RWD	3696	235	320	09.10-	■	
37	not sport chassis	Gasolina	RWD	3696	242	329	09.10-	■	
37	not sport chassis	Gasolina	RWD	3696	245	333	09.10-	■	
37	not sport chassis	Gasolina	FWD	3696	256	348	09.12-	■	
37	not sport chassis	Gasolina	FWD	3696	260	354	09.12-	■	
G IV (V36) 09.07-					Coupe (Compact executive car-D Segment)				
37 (VQ37VHR)	Russia, not 4 wheel steering	Gasolina	RWD	3696	235	320	09.10-	■	
G IV (V36) 01.07-					Saloon (Compact executive car-D Segment)				
25		Gasolina	FWD	2495	173	235	07.12-12.13	■	
25 (VQ25HR)		Gasolina	RWD	2496	163	222	01.11-	■	
25 X (VQ25HR)		Gasolina	4WD	2496	163	222	09.10-12.12	■	
37 (VQ37VHR)		Gasolina	RWD	3694	243	330	10.08-	■	
37 (VQ37VHR)		Gasolina	RWD	3696	235	320	10.08-	■	
37 X (VQ37VHR)		Gasolina	4WD	3696	235	320	10.08-	■	
37 (VQ37VHR)		Gasolina	RWD	3696	240	327	01.12-	■	
37 (VQ37VHR)		Gasolina	RWD	3696	245	333	09.08-	■	
37 X (VQ37VHR)		Gasolina	4WD	3696	245	333	09.08-12.13	■	
37 (VQ37VHR)		Gasolina	RWD	3696	258	351	01.09-	■	
JX SUV (L50) 09.12-					SUV (Executive SUV-J Segment)				
3.5 AWD (VQ35DE)		Gasolina	4WD	3498	195	265	11.12-09.13	■	
3.5 AWD (VQ35DE)		Gasolina	4WD	3498	198	269	08.11-09.13	■	
M IV (Y51) 03.10-					Saloon (Luxury car-F Segment)				
25 (VQ25HR)		Gasolina	RWD	2495	160	218	03.10-	■	
25		Gasolina	RWD	2495	163	222	07.10-	■	
25		Gasolina	RWD	2495	173	235	09.10-12.12	■	
25L (VQ25HR)		Gasolina	RWD	2495	173	235	06.12-12.13	■	
37 (VQ37VHR)		Gasolina	RWD	3696	235	320	03.10-	■	
37		Gasolina	RWD	3696	246	334	09.10-12.13	■	
37 X (VQ37VHR)		Gasolina	4WD	3696	246	334	09.10-	■	
56		Gasolina	RWD	5552	300	408	03.10-	■	
56 (VK56VD)		Gasolina	RWD	5552	309	420	01.12-	■	
56		Gasolina	FWD	5552	313	426	03.10-	■	
56 (VK56VD)		Gasolina	4WD	5552	313	425	09.10-	■	
35h (VQ35HR)		Gasol./el éc.	RWD	3498	268	364	04.11-	■	
30d (V9X)		Diesel	RWD	2993	175	238	03.10-	■	
M35 (Y50) 01.05-					Saloon (Luxury car-F Segment)				
3.5 (VQ35HR)		Gasolina	RWD	3498	226	307	09.08-12.10	■	
3.5 X (VQ35HR)		Gasolina	4WD	3498	226	307	09.08-12.10	■	
3.5 h (VQ35HR)		Gasol./el éc.	RWD	3498	268	364	01.10-	■	
M37 01.10-					Saloon (Luxury car-F Segment)				
3.7 (VQ37VHR)		Gasolina	RWD	3696	243	330	01.10-	■	
3.7 (VQ37VHR)	not 4 wheel steering	Gasolina	RWD	3696	246	334	01.11-	■	
3.7 Allrad (VQ37VHR)	not 4 wheel steering	Gasolina	4WD	3696	246	334	01.11-	■	

LISTA DE APLICACIONES - BUYERS GUIDE

M45 III (Y50) 01.05-					Saloon (Luxury car-F Segment)			
4.5 (VK45DE)		Gasolina	RWD	4494	242	329	09.06-12.10	■
4.5 X (VK45DE)		Gasolina	4WD	4494	242	329	09.17-12.10	■
Q40 09.14-					Saloon (Luxury car-F Segment)			
3.7		Gasolina	FWD	3696	245	333	09.14-	■
3.7		Gasolina	FWD	3696	245	333	09.14-	■
Q50 (V37) 04.13-					Saloon (Compact SUV-J Segment)			
2.0 T		Gasolina	RWD	1991	153	208	04.14-	■
2.0 T		Gasolina	RWD	1991	155	211	04.14-	■
2.0 T AWD		Gasolina	4WD	1991	155	211	09.15-	■
50		Gasolina	RWD	3696	241	328	06.13-	■
50 (VQ37VHR)		Gasolina	RWD	3696	245	333	04.13-	■
50 AWD (VQ37VHR)		Gasolina	RWD	3696	245	333	04.13-	■
3.7 (VQ37HR)		Gasolina	RWD	3696	258	351	04.14-	■
50 Hybrid (VQ35HR)	Eq.V_ Premium package	Gasol./el éc.	RWD	3498	225	306	04.13-	■
50 Hybrid AWD (VQ35HR)	Eq.V_ Premium package	Gasol./el éc.	4WD	3498	225	306	04.13-	■
50 Hybrid (VQ35HR)		Gasol./el éc.	RWD	3498	257	350	12.14-	■
50 Hybrid (VQ35HR)		Gasol./el éc.	RWD	3498	261	355	06.13-	■
50 Hybrid AWD (VQ35HR)		Gasol./el éc.	4WD	3498	261	355	06.13-	■
hybrid (VQ35HR)	Eq.V_ Premium package	Gasol./el éc.	RWD	3498	264	359	04.13-	■
Hybrid AWD (VQ35HR)	Eq.V_ Premium package	Gasol./el éc.	4WD	3498	264	359	04.13-	■
50 Hybrid (VQ35HR)		Gasol./el éc.	RWD	3498	268	364	04.13-	■
50 Hybrid AWD (VQ35HR)		Gasol./el éc.	4WD	3498	268	364	04.13-	■
50 D		Diesel	RWD	2143	125	170	04.13-	■
Q60 (V36) 10.13-					Convertible (Compact executive car-D Segment)			
3.7 (VQ37VHR)		Gasolina	RWD	3696	235	320	10.13-	■
3.7 (VQ37VHR)		Gasolina	RWD	3696	242	329	10.13-	■
3.7AWD (VQ37VHR)		Gasolina	4WD	3696	242	329	10.13-	■
3.7 (VQ37VHR)		Gasolina	RWD	3696	245	333	10.13-	■
3.7 (VQ37VHR)		Gasolina	RWD	3696	246	335	10.13-	■
3.7AWD (VQ37VRH)		Gasolina	4WD	3696	246	335	10.13-	■
3.7 IPL (VQ37VHR)		Gasolina	RWD	3696	256	348	10.13-	■
3.7 (VQ37VHR)		Gasolina	RWD	3696	258	351	10.13-	■
3.7 IPL (VQ37VHR)		Gasolina	RWD	3696	260	354	10.13-	■
Q60 (V36) 08.13-					Coupe (Compact executive car-D Segment)			
3.7 (VQ37VHR)	not sports package	Gasolina	RWD	3696	235	320	10.13-	■
3.7 (VQ37VHR)	not sports package	Gasolina	RWD	3696	242	329	10.13-	■
3.7AWD (VQ37VHR)	not sports package	Gasolina	4WD	3696	242	329	10.13-	■
3.7 (VQ37VHR)	not sports package	Gasolina	RWD	3696	245	333	10.13-	■
3.7	not sports package	Gasolina	RWD	3696	246	335	10.13-	■
3.7AWD (VQ37VHR)	not sports package	Gasolina	4WD	3696	246	335	10.13-	■
3.7 IPL (VQ37VHR)	not sports package	Gasolina	RWD	3696	256	348	10.13-	■
3.7 IPL (VQ37VHR)	not sports package	Gasolina	RWD	3696	260	354	10.13-	■

LISTA DE APLICACIONES - BUYERS GUIDE

Q60 II (CV37) 09.16-					Coupe (Compact executive car-D Segment)			
2.0 T (M 274)	not sports package	Gasolina	RWD	1991	153	208	09.16-	■
2.0 T (M 274)	not sports package	Gasolina	RWD	1991	155	211	09.16-	■
2.0 T AWD	not sports package	Gasolina	4WD	1991	155	211	09.16-	■
Q70 (Y51) 03.13-					Saloon (Luxury car-F Segment)			
2.5		Gasolina	RWD	2495	163	222	05.15-	■
2.5		Gasolina	FWD	2495	173	235	08.13-	■
3.7 (VQ37VHR)		Gasolina	RWD	3696	235	320	03.13-	■
3.7 (VQ37VHR)	Eq.V_ BASE	Gasolina	RWD	3696	241	328	06.13-	■
3.7	Eq.V_ BASE	Gasolina	RWD	3696	245	333	06.13-	■
3.7AWD (VQ37VHR)		Gasolina	4WD	3696	245	333	01.14-	■
3.7	Eq.V_ BASE	Gasolina	RWD	3696	246	335	10.13-	■
3.7AWD	Eq.V_ BASE	Gasolina	4WD	3696	246	335	10.13-	■
5.6 (VK56VD)	Eq.V_ BASE	Gasolina	RWD	5552	296	402	01.15-	■
5.6 AWD	not sports package	Gasolina	4WD	5552	300	408	01.15-	■
5.6 (VK56VD)	Eq.V_ BASE	Gasolina	RWD	5552	310	422	07.14-	■
5.6 AWD (VK56VD)	Eq.V_ BASE	Gasolina	4WD	5552	310	422	07.14-	■
5.6 (VK56VD)	Eq.V_ BASE	Gasolina	RWD	5552	313	426	09.13-	■
5.6 AWD (VK56VD)	Eq.V_ BASE	Gasolina	4WD	5552	313	426	09.13-	■
3.5 Hybrid		Gasol./el éc.	RWD	3498	219	298	05.15-	■
3.5 Hybrid (VQ35HR)		Gasol./el éc.	RWD	3498	225	306	03.13-	■
3.5 Hybrid		Gasol./el éc.	RWD	3498	240	326	08.13-	■
3.5 Hybrid (VQ35HR)		Gasol./el éc.	RWD	3498	268	364	03.13-	■
2.2 D		Diesel	RWD	2143	125	170	10.14-	■
3.0 (V9X)		Diesel	RWD	2993	175	238	03.13-	■
QX50 (J50) 08.13-					SUV (Luxury Crossover SUV-J Segment)			
2.5 AWD (VQ25HR)		Gasolina	4WD	2495	163	222	02.14-	■
2.5		Gasolina	RWD	2495	173	235	08.13-	■
2.5 AWD		Gasolina	4WD	2495	173	235	08.13-	■
37 AWD (VQ37VHR)		Gasolina	4WD	3696	235	320	08.13-	■
37 AWD (VQ37VHR)		Gasolina	4WD	3696	240	326	05.15-	■
37		Gasolina	RWD	3696	242	329	08.13-	■
37 AWD (VQ37VHR)		Gasolina	4WD	3696	242	329	08.13-	■
3.7 V6 VVEL AWD		Gasolina	4WD	3696	258	351	08.13-	■
30d AWD (V9X)		Diesel	4WD	2993	175	238	08.13-	■
QX60 / JX35 (L50) 04.12-					SUV (Executive SUV-J Segment)			
3.5		Gasolina	FWD	3498	190	258	01.14-	■
3.5 AWD (VQ35DE)		Gasolina	4WD	3498	193	262	10.13-	■
3.5		Gasolina	FWD	3498	195	265	04.12-	■
3.5 AWD (VQ35DE)		Gasolina	4WD	3498	195	265	04.12-	■
3.5		Gasolina	FWD	3498	204	277	08.13-	■
3.5 AWD (VQ35DE)		Gasolina	4WD	3498	204	277	08.13-	■
Hybrid AWD		Gasol./el éc.	4WD	2488	170	231	01.12-12.21	■
2.5 HEV		Gasol./el éc.	FWD	2488	172	234	08.14-	■
2.5 Hybrid		Gasol./el éc.	FWD	2488	180	245	08.14-	■
2.5 Hybrid		Gasol./el éc.	4WD	2488	180	245	08.14-	■

LISTA DE APLICACIONES - BUYERS GUIDE

QX70 (S51) 08.13-					SUV (Luxury Crossover SUV-J Segment)			
3.7AWD (VQ37VHR)	01/16-	Gasolina	4WD	3696	235	320	08.13-	■
37	01/16-	Gasolina	FWD	3696	235	320	08.13-	■
37 AWD	01/16-	Gasolina	4WD	3696	245	333	02.14-	■
37	01/16-	Gasolina	FWD	3696	258	351	02.14-	■
50 AWD (VK50VE)	01/16-	Gasolina	4WD	5026	287	390	08.13-	■
50 AWD	01/16-	Gasolina	4WD	5026	294	400	08.13-	■
50	01/16-	Gasolina	FWD	5026	317	431	02.14-	■
30d AWD (V9X)	01/16-	Diesel	4WD	2993	175	238	08.13-	■
QX80 / QX56 II (Z62) 08.13-					SUV (Luxury Crossover SUV-J Segment)			
3.5		Gasolina	FWD	3498	224	305	08.13-	■
INFINITI (DFAC)								
Q50L (V37Z) 11.14-					Saloon (Luxury car-F Segment)			
2.0 T		Gasolina	FWD	1991	155	211	11.14-	■
QX50 (J50Z) 03.15-					Hatchback (Executive car-E Segment)			
2.5 A las 4 ruedas		Gasolina	FWD	2496	173	235	03.15-	■
MITSUBISHI								
PROUDIA/DIGNITY II (BHG5_, BY_5) 07.12-					Saloon (Luxury car-F Segment)			
2.5		Gasolina	FWD	2495	165	224	07.12-	■
3.5		Gasolina	FWD	3498	225	306	07.12-	■
3.7		Gasolina	FWD	3696	245	333	07.12-	■
3.7		Gasolina	FWD	3696	245	333	07.12-	■
NISSAN								
370 Z / FAIRLADY Z (Z34) 01.09-					Convertible (Compact car-C Segment)			
3.7 (VQ37VHR)	01/16-	Gasolina	RWD	3696	241	328	01.10-	■
3.7 (VQ37VHR)	01/16-	Gasolina	RWD	3696	243	330	12.09-	■
3.7	01/16-	Gasolina	FWD	3696	245	333	04.13-	■
3.7	01/16-	Gasolina	FWD	3696	248	337	09.10-12.12	■
370Z / FAIRLADY Z (Z34) 01.09-					Coupe (Compact car-C Segment)			
3.7 (VQ37VHR)	01/16-	Gasolina	RWD	3696	241	328	06.09-	■
3.7 V6 VVEL (VQ37HR)	01/16-	Gasolina	RWD	3696	243	330	06.09-	■
3.7 (VQ37VHR)	01/16-	Gasolina	RWD	3696	248	337	04.09-	■
NISMO 3.7 (VQ37VHR)	01/16-	Gasolina	RWD	3696	253	344	06.13-	■
ALTIMA IV (L32) 10.06-07.13					Saloon (Executive car-E Segment)			
2.5 (QR25DE)		Gasolina	FWD	2488	128	174	10.06-07.13	■
3.5 (VQ35DE)		Gasolina	FWD	3498	201	273	10.06-07.13	■
ALTIMA V / TEANA III (L33) 05.12-					Saloon (Executive car-E Segment)			
2.5		Gasolina	FWD	2488	127	173	11.13-	■
2.5 (QR25DE)		Gasolina	FWD	2488	132	180	01.13-	■
2.5 (QR25DE)		Gasolina	FWD	2488	134	182	05.12-	■
3.5		Gasolina	FWD	3498	183	249	11.13-	■
3.5 (VQ35DE)	-10/13	Gasolina	FWD	3498	201	273	08.12-	■
BLUEBIRD SYLPHY / SYLPHY III (B17) 07.12-					Saloon (Compact car-C Segment)			
1.6 (HR16DE)		Gasolina	FWD	1598	85	116	08.12-	■
1.6		Gasolina	FWD	1598	86	117	05.13-	■
1.8 (MRA8DE)		Gasolina	FWD	1798	96	131	08.12-	■

LISTA DE APLICACIONES - BUYERS GUIDE

ELGRAND III / QUEST (E52) 09.10-					MPV (Large MPV-M1 Segment)			
2.5		Gasolina	FWD	2488	125	170	11.10-	■
2.5		Gasolina	FWD	2488	125	170	11.10-	■
3.5 (VQ35DE)		Gasolina	FWD	3498	194	264	09.10-	■
3.5		Gasolina	FWD	3498	206	280	11.10-	■
3.5 AWD (PNE52)		Gasolina	4WD	3498	206	280	11.10-	■
FUGA (_Y50) 10.04-12.09					Saloon (Luxury car-F Segment)			
250 (Y50)		Gasolina	FWD	2495	164	223	01.05-12.09	■
350GT (PY50)		Gasolina	FWD	3498	230	313	12.07-12.09	■
350GT FOUR A las 4 ruedas (PNY50)		Gasolina	4WD	3498	230	313	12.07-12.09	■
450GT (GY50) (VK45DE)		Gasolina	RWD	4494	245	333	01.05-12.09	■
FUGA II (_Y51) 11.09-					Saloon (Luxury car-F Segment)			
250 GT (Y51)		Gasolina	FWD	2495	165	224	11.09-	■
370 GT (KNY51)		Gasolina	FWD	3696	245	333	11.09-	■
370 GT (KY51)		Gasolina	FWD	3696	245	333	11.09-	■
Hybrid 3.5 (HY51)		Gasol./el éc.	RWD	3498	275	374	10.10-	■
JUKE (F15) 06.10-					SUV Van (Mini SUV-J Segment)			
CVTC	disc brak.rear axle	Gasolina	FWD	1598	86	117	03.13-12.19	■
1.6		Gasolina	FWD	1618	140	190	03.13-12.19	■
dCi	disc brak.rear axle	Diesel	FWD	1461	81	110	06.10-12.19	■
JUKE (F15) 06.10-					SUV (Mini SUV-J Segment)			
1.2 DIG-T (HRA2DDT)	disc brak.rear axle	Gasolina	FWD	1197	85	115	05.14-12.19	■
1.6 (HR16DE)	disc brak.rear axle	Gasolina	FWD	1598	69	94	05.13-12.19	■
1.6 CVTC	disc brak.rear axle	Gasolina	FWD	1598	72	98	08.14-12.19	■
1.6 (HR16DE)	disc brak.rear axle	Gasolina	FWD	1598	83	113	07.18-12.19	■
1.6 (HR16DE)	disc brak.rear axle	Gasolina	FWD	1598	85	116	03.16-12.19	■
1.6 (HR16DE)	disc brak.rear axle	Gasolina	FWD	1598	86	117	06.10-12.19	■
1.6 DIG-T (MR16DDT)		Gasolina	FWD	1618	140	190	06.10-12.19	■
1.6 DIG-T 4x4 (MR16DDT)		Gasolina	4WD	1618	140	190	06.10-12.19	■
1.6 DIG-T		Gasolina	FWD	1618	147	200	11.12-	■
1.6 DIG-T NISMO (MR16DDT)		Gasolina	FWD	1618	147	200	11.12-12.19	■
1.6 DIG-T NISMO 4x4 (MR16DDT)		Gasolina	4WD	1618	147	200	11.12-12.19	■
1.6 DIG-T NISMO RS		Gasolina	FWD	1618	157	214	11.15-12.19	■
1.6 DIG-T NISMO RS 4x4 (MR16DDT)		Gasolina	4WD	1618	157	214	08.14-12.19	■
1.6 DIG-T NISMO RS (MR16DDT)		Gasolina	FWD	1618	160	218	08.14-12.19	■
1.6 LPG (HR16DE)	disc brak.rear axle	Gasol./Gas (LPG)	FWD	1598	80	109	09.18-12.19	■
1.6 LPG (HR16DE)		Gasol./Gas (LPG)	FWD	1598	85	116	01.12-12.19	■
1.6 Flexfuel		Gasol./Etanol	FWD	1598	85	116	06.10-	■
1.5 dCi (K9K 410)	disc brak.rear axle	Diesel	FWD	1461	81	110	06.10-12.19	■
1.5 dCi (K9K 636)	disc brak.rear axle	Diesel	FWD	1461	81	110	06.10-12.19	■
1.5 dCi (K9K 646)	disc brak.rear axle	Diesel	FWD	1461	81	110	06.10-12.19	■
1.5 dCi (K9K 896)	disc brak.rear axle	Diesel	FWD	1461	81	110	06.10-12.19	■
LEAF (ZE0) 11.10-					Hatchback (Executive car-E Segment)			
Electric (EM57)		Eléctrico	FWD		80	109	11.10-12.17	■
Electric (EM61)		Eléctrico	FWD		80	109	11.10-12.17	■
LEAF II (ZE1) 08.17-					Hatchback (Executive car-E Segment)			
Electric (EM57)		Eléctrico	FWD		110	150	08.17-	■

LISTA DE APLICACIONES - BUYERS GUIDE

Electric (EM57)		Eléctrico	FWD		160	218	01.19-	■	
MAXIMA VII (A35) 09.08-					Saloon (Executive car-E Segment)				
3.0		Gasolina	FWD	2988	140	190	06.09-	■	
3.5		Gasolina	FWD	3498	214	291	09.08-	■	
3.5 (VQ35DE)		Gasolina	FWD	3498	216	294	09.08-	■	
MAXIMA VIII (A36) 05.15-					Saloon (Executive car-E Segment)				
3.5 L		Gasolina	FWD	3500	224	300	05.15-	■	
MURANO II (Z51) 09.10-					Convertible (Executive SUV-J Segment)				
3.5 4x4		Gasolina	4WD	3498	198	268	09.10-	■	
MURANO II (Z51) 10.07-09.14					SUV (Executive SUV-J Segment)				
2.5 (TZ51)		Gasolina	FWD	2488	125	170	09.08-09.14	■	
2.5 4x4 (TNZ51)		Gasolina	4WD	2488	125	170	09.08-09.14	■	
3.5		Gasolina	FWD	3498	172	234	11.07-	■	
3.5 4x4 (VQ35DE)	Type Z51	Gasolina	4WD	3498	183	249	12.10-09.14	■	
3.5		Gasolina	FWD	3498	188	256	10.08-12.09	■	
3.5 4x4 (VQ35DE)	-07/10	Gasolina	4WD	3498	188	256	10.08-09.14	■	
3.5 (VQ35)		Gasolina	FWD	3498	191	260	01.11-09.14	■	
3.5 (VQ35DE)		Gasolina	FWD	3498	191	260	01.11-09.14	■	
3.5 4x4 (VQ35)	-07/10	Gasolina	4WD	3498	191	260	12.09-09.14	■	
3.5 4x4 (VQ35DE)	-07/10	Gasolina	4WD	3498	191	260	12.09-09.14	■	
3.5		Gasolina	FWD	3498	193	262	09.10-12.13	■	
3.5 (VQ35DE)	-07/10	Gasolina	FWD	3498	195	265	11.07-09.14	■	
3.5 4x4 (VQ35DE)	-07/10	Gasolina	4WD	3498	195	265	11.07-09.14	■	
3.5 4x4 (VQ35DE)		Gasolina	4WD	3498	198	269	09.08-12.10	■	
2.5 dCi 4x4 (YD25DDTI)		Diesel	4WD	2488	140	190	01.10-09.14	■	
MURANO II VAN (Z51) 10.07-09.14					SUV Van (Executive SUV-J Segment)				
3.5 CVTC 4x4		Gasolina	4WD	3498	188	256	03.13-09.14	■	
2.5 dCi 4x4		Diesel	4WD	2488	140	190	03.13-09.14	■	
MURANO III (Z52_) 10.14-					SUV (Executive SUV-J Segment)				
3.5 V6 (VQ35DE)		Gasolina	FWD	3498	183	249	01.16-	■	
3.5 V6 ALL MODE 4x4-i (Z52R) (VQ35DE)		Gasolina	4WD	3498	183	249	01.16-	■	
3.5 CVTC ALL MODE 4x4-i (VQ35DE)		Gasolina	4WD	3498	185	252	01.15-	■	
3.5 V6 ALL MODE 4x4-i (VQ35DE)		Gasolina	4WD	3498	188	256	10.14-	■	
3.5 V6		Gasolina	FWD	3498	191	260	01.16-	■	
3.5 V6 (VQ35DE)		Gasolina	FWD	3498	194	264	10.14-	■	
3.5 V6 ALL MODE 4x4-i (VQ35DE)		Gasolina	4WD	3498	194	264	10.14-	■	
2.5 HEV ALL MODE 4x4-i (QR25DER)		Gasol./el éc.	4WD	2488	187	254	01.16-	■	
2.5 dCi ALL MODE 4x4-i		Diesel	4WD	2488	140	190	10.14-	■	
MURANO III VAN (Z52_) 10.14-					SUV Van (Executive SUV-J Segment)				
3.5 CVTC		Gasolina	4WD	3498	194	264	10.14-	■	
NV200 02.10-					Van (LCVs-N1 Segment)				
e-NV (ME0N) (EM57)		Eléctrico	FWD		80	109	05.14-	■	
NV200 EVALIA 07.10-					Bus (Minibus-M2-Segment)				
e-NV (ME0M) (EM57)		Eléctrico	FWD		80	109	07.14-	■	
PATHFINDER IV / TERRANO (R52) 09.12-					SUV (Executive SUV-J Segment)				
3.5 4WD (VQ35DE)		Gasolina	4WD	3498	183	249	08.14-	■	
3.5 (VQ35DE)		Gasolina	FWD	3498	190	258	10.13-	■	

LISTA DE APLICACIONES - BUYERS GUIDE

3.5 4WD		Gasolina	4WD	3498	190	258	10.13-	■	
3.5 4WD (VQ35DE)		Gasolina	4WD	3498	194	264	09.12-	■	
2.5 Hybrid 4WD (QR25DER)		Gasol./el éc.	4WD	2488	172	234	11.14-	■	
2.5 Hybrid 4WD (QR25DER)		Gasol./el éc.	4WD	2488	186	253	09.13-	■	
2.5 Hybrid		Gasol./el éc.	FWD	2488	188	256	10.13-	■	
2.5 Hybrid 4WD (QR25DER)		Gasol./el éc.	4WD	2488	188	256	10.13-	■	
2.5 dCi 4WD		Diesel	4WD	2488	140	190	09.12-	■	
3.0 dCi 4WD		Diesel	4WD	2993	170	231	09.12-	■	
PULSAR (C12) 08.10-					Hatchback (Supermini car-B Segment)				
1.6 (HR16DE)		Gasolina	FWD	1598	85	116	08.12-	■	
1.6 (MR16DDT)		Gasolina	FWD	1618	140	190	02.13-	■	
1.8 (MRA8DE)		Gasolina	FWD	1798	96	131	08.12-	■	
1.6 Flexfuel		Gasol./Et anol	FWD	1618	140	190	02.13-	■	
PULSAR / SYLPHI (C13) 10.14-					Hatchback (Large family car-D Segment)				
1.6 CVTC (HR16DE)		Gasolina	FWD	1598	86	117	08.12-	■	
QUEST IV (E52) 09.09-					MPV (Large MPV-M1 Segment)				
3.5 V6 (VQ35DE)		Gasolina	FWD	3498	194	264	02.12-	■	
ROGUE 01.07-12.15					SUV (Compact SUV-J Segment)				
2.5 (QR25DE)		Gasolina	FWD	2488	127	173	01.07-12.15	■	
2.5 AWD (QR25DE)		Gasolina	4WD	2488	127	173	01.07-12.13	■	
SENTRA VII / PULSAR / TSURA / TSURU (B17) 08.12-					Saloon (Compact car-C Segment)				
1.6 (HR16DE)		Gasolina	FWD	1598	86	117	08.14-	■	
1.6 DIG-T		Gasolina	FWD	1618	140	190	06.14-	■	
1.8 (MRA8DE)	disc brak.rear axle	Gasolina	FWD	1798	91	124	10.17-	■	
1.8 (MRA8DE)	disc brak.rear axle	Gasolina	FWD	1798	95	129	01.15-	■	
1.8 (MRA8DE)	disc brak.rear axle	Gasolina	FWD	1798	96	131	08.12-	■	
2.0 16V		Gasolina	FWD	1997	103	140	11.14-	■	
2.0 CVTCS		Gasolina	FWD	1997	103	140	01.14-	■	
SERENA IV (C26) 11.10-08.18					MPV (Large MPV-M1 Segment)				
2.0		Gasolina	FWD	1997	106	144	11.10-07.16	■	
2.0		Gasolina	FWD	1997	108	147	11.10-07.16	■	
2.0		Gasolina	FWD	1997	108	147	11.10-07.16	■	
2.0 Hybrid		Gasol./el éc.	FWD	1997	108	147	03.13-07.16	■	
SERENA V (C27) 08.16-					MPV (Large MPV-M1 Segment)				
2.0		Gasolina	FWD	1997	110	150	08.16-	■	
1.2 e-Power (HR12DE)		Gasol./el éc.	FWD	1197	62	84	03.18-	■	
1.2 Combined e-Power (HR12DE)		Gasol./el éc.	FWD	1198	100	136	03.18-	■	
2.0 S-Hybrid (C27L) (MR20DD)		Gasol./el éc.	FWD	1997	110	150	08.16-	■	
SKYLINE XII CROSSOVER (_J50) 07.09-					Closed Off-Road Vehicle (Executive SUV-J Segment)				
370GT (J50)		Gasolina	FWD	3696	243	330	07.09-	■	
370GT FOUR (J50)		Gasolina	FWD	3696	243	330	07.09-	■	
SKYLINE XIII (_V37) 02.14-					Saloon (Compact executive car-D Segment)				
200GT (YV37)		Gasolina	FWD	1991	155	211	02.14-	■	

LISTA DE APLICACIONES - BUYERS GUIDE

350GT Hibrid		Gasol./el éc.	RWD	3498	225	306	02.14-	■	
350GT FOUR Hybrid A las 4 ruedas (HNV37)		Gasol./el éc.	4WD	3498	275	374	02.14-	■	
350GT Hybrid (HV37)		Gasol./el éc.	RWD	3498	275	374	02.14-	■	
TEANA II / MAXIMA (J32) 01.07-					Saloon (Executive car-E Segment)				
2.0		Gasolina	FWD	1997	100	136	02.13-09.13	■	
2.3		Gasolina	FWD	2349	127	173	07.08-09.13	■	
2.5		Gasolina	FWD	2488	123	167	03.10-01.13	■	
2.5 (VQ25DE)		Gasolina	FWD	2496	134	182	07.08-09.13	■	
3.5 (VQ35DE)		Gasolina	FWD	3498	183	249	07.08-09.13	■	
TEANA III / ALTIMA V (J33, L33) 09.13-					Saloon (Executive car-E Segment)				
2.0		Gasolina	FWD	1997	100	136	09.13-	■	
2.5 (L33L, L33R, L33T) (QR25DE)		Gasolina	FWD	2488	127	173	09.13-	■	
2.5 (QR25)		Gasolina	FWD	2488	134	182	01.14-	■	
3.5 CVTC		Gasolina	FWD	3498	183	249	01.14-	■	
3.5		Gasolina	FWD	3498	201	273	01.14-	■	
2.0 Flexfuel (L33T)		Gasol./Et anol	FWD	1997	100	136	01.14-	■	
2.5 Flexfuel (L33T)		Gasol./Et anol	FWD	2488	127	173	01.14-	■	
TERRANO IV / PATHFINDER (D10) 08.13-					SUV (Compact SUV-J Segment)				
1.6		Gasolina	FWD	1598	76	103	03.14-	■	
1.5 dCi		Diesel	RWD	1461	62	85	10.13-	■	
1.5 dCi		Diesel	RWD	1461	81	110	10.13-	■	
X-TRAIL III / ROGUE II (T32_, T32R, T32RR) 10.13-					SUV (Compact SUV-J Segment)				
2.0 (T32)	-08/15, USA	Gasolina	FWD	1997	104	141	09.14-	■	
2.0	-08/15, USA	Gasolina	FWD	1997	106	144	12.14-	■	
2.0 (T32) (MR20DD)	-08/15, USA	Gasolina	FWD	1997	106	144	02.14-	■	
2.0 ALL MODE 4x4-i	-08/15, USA	Gasolina	4WD	1997	106	144	12.14-	■	
2.0 ALL MODE 4x4-i (NT32) (MR20DD)	-08/15, USA	Gasolina	4WD	1997	106	144	09.14-	■	
2.0 (T32)	-08/15, USA	Gasolina	FWD	1997	108	147	12.13-	■	
2.0 ALL MODE 4x4-i (NT32)	-08/15, USA	Gasolina	4WD	1997	108	147	12.13-	■	
2.5 (T32) (QR25DE)	-08/15, USA	Gasolina	FWD	2488	124	169	01.15-	■	
2.5 ALL MODE 4x4-i (NT32) (QR25DE)	-08/15, USA	Gasolina	4WD	2488	124	169	10.14-	■	
2.5 (T32) (QR25DE)	-08/15, USA	Gasolina	FWD	2488	126	171	12.13-	■	
2.5 ALL MODE 4x4-i (NT32) (QR25DE)	-08/15, USA	Gasolina	4WD	2488	126	171	12.13-	■	
2.0 Flexfuel (T32) (MR20DD)	-08/15, USA	Gasol./Et anol	FWD	1997	106	144	09.14-	■	
2.0 Flexfuel ALL MODE 4x4-i (MR20DD)	-08/15, USA	Gasol./Et anol	4WD	1997	106	144	02.14-	■	
2.0 Flexfuel ALL MODE 4x4-i	-08/15, USA	Gasol./Et anol	4WD	1997	106	144	12.14-	■	
2.5 Flexfuel ALL MODE 4x4-i (NT32) (QR25DE)	-08/15, USA	Gasol./Et anol	4WD	2488	126	171	02.14-	■	
2.0 Hybrid (MR20DD)	-08/15, USA	Gasol./el éc.	FWD	1997	132	180	09.14-	■	
2.0 Hybrid ALL MODE 4x4-i (HNT32) (MR20DD)	-08/15, USA	Gasol./el éc.	4WD	1997	132	180	09.14-	■	
2.0 Hybrid (HT32)	USA	Gasol./el éc.	FWD	1997	138	188	11.16-	■	
2.0 Hybrid ALL MODE 4x4-i (HNT32)	USA	Gasol./el éc.	4WD	1997	138	188	11.16-	■	
NISSAN (DFAC)									
ALTIMA (L34Z) 12.18-					Saloon (Executive car-E Segment)				
2.0 (MR20)		Gasolina	FWD	1997	117	159	12.18-	■	

LISTA DE APLICACIONES - BUYERS GUIDE

2.0 (KR20)		Gasolina	FWD	1997	185	252	12.18-	■
LANNIA (U15) 10.15-					Saloon ()			
1.6		Gasolina	FWD	1598	93	126	10.15-	■
MAXIMA (A36) 04.16-					Saloon (Executive car-E Segment)			
2.5 XE		Gasolina	FWD	2488	137	186	04.16-	■
MURANO II (Z51) 09.11-					SUV (Executive SUV-J Segment)			
3.5		Gasolina	FWD	3498	228	310	09.11-	■
3.5 A las 4 ruedas (VQ35DE)		Gasolina	4WD	3498	228	310	09.11-12.15	■
MURANO III (Z52) 08.15-					SUV (Executive SUV-J Segment)			
2.5		Gasolina	FWD	2488	137	186	08.15-	■
2.5 HEV		Gasol./el éc.	FWD	2488	180	245	08.15-	■
2.5 HEV 4x4		Gasol./el éc.	4WD	2488	180	245	08.15-	■
QASCHQAI (J10) 12.07-					SUV (Compact SUV-J Segment)			
1.2 T	not elec.brak.detent	Gasolina	FWD	1197	86	117	10.15-	■
2.0	not elec.brak.detent	Gasolina	FWD	1997	110	150	10.15-	■
QASCHQAI II (J11) 10.15-					SUV (Compact SUV-J Segment)			
2.0 (MR20)	not elec.brak.detent	Gasolina	FWD	1997	113	154	04.19-	■
SYLPHY III (B17) 07.12-03.16					Saloon ()			
1.6		Gasolina	FWD	1598	93	126	07.12-	■
1.8		Gasolina	FWD	1798	102	139	07.12-	■
Zero Emission		Eléctrico	FWD		80	109	09.18-	■
TEANA (L33Z) 01.13-					Saloon (Executive car-E Segment)			
2.0 (MR20DE)		Gasolina	FWD	1997	104	141	01.13-07.16	■
2.0 (MR20DE)		Gasolina	FWD	1997	110	150	07.16-	■
2.5 (QR25)		Gasolina	FWD	2488	137	186	03.13-	■
TIIDA (C13Z) 05.16-					Hatchback (Compact car-C Segment)			
1.6 (HR16DE)		Gasolina	FWD	1598	93	126	05.16-	■
TIIDA II / LATIO (C12) 05.11-					Hatchback (Compact car-C Segment)			
1.6 (HR16DE)		Gasolina	FWD	1598	93	126	05.11-12.15	■
1.6 GTS (MR16)		Gasolina	FWD	1618	140	190	06.11-12.15	■
X-TRAIL (T32) 02.14-					SUV (Compact SUV-J Segment)			
2.0 2WD (MR20DD)	not elec.brak.detent	Gasolina	FWD	1197	111	151	08.20-	■
2.0 (MR20DD)	not elec.brak.detent	Gasolina	FWD	1197	113	154	08.18-	■
2.0 (MR20DD)	not elec.brak.detent	Gasolina	FWD	1997	110	150	03.14-12.18	■
2.0 Alas 4 ruedas (MR20DD)	not elec.brak.detent	Gasolina	4WD	1997	110	150	03.14-12.18	■
2.5 4WD (QR25)	not elec.brak.detent	Gasolina	4WD	2488	133	181	08.20-	■
2.5 A las 4 ruedas	not elec.brak.detent	Gasolina	FWD	2488	137	186	02.14-	■
RENAULT								
KOLEOS II (HC_) 04.16-					SUV (Compact SUV-J Segment)			
2.0 TCe (M5R 402)	not elec.brak.detent	Gasolina	FWD	1997	107	145	04.16-	■
2.5 Sce	not elec.brak.detent	Gasolina	FWD	2488	126	170	04.16-	■
2.5 Sce 4WD	not elec.brak.detent	Gasolina	4WD	2488	126	171	04.16-	■
1.6 dCi 130 (R9M 409)	not elec.brak.detent	Diesel	FWD	1598	96	130	04.16-	■
1.6 dCi 130 (R9M 414)	not elec.brak.detent	Diesel	FWD	1598	96	130	04.16-	■
1.7 BLUE dCi 150 (HCA7) (R9N 401)	not elec.brak.detent	Diesel	FWD	1749	110	150	06.19-	■
2.0 dCi 175 (HCAK) (M9R 868)	not elec.brak.detent	Diesel	FWD	1995	130	177	04.16-	■

LISTA DE APLICACIONES - BUYERS GUIDE

2.0 dCi 175 4WD (M9R 868)	not elec.brak.detent	Diesel	4WD	1995	130	177	04.16-	■
2.0 BLUE dCi 190 4WD (HCAN) (M9R 730)	not elec.brak.detent	Diesel	4WD	1997	140	190	06.19-	■
RENAULT (DFAC)								
KADJAR 03.16-				SUV (Compact SUV-J Segment)				
1.2 T (H5F 408)	not elec.brak.detent	Gasolina	FWD	1197	86	117	04.17-	■
2.0 (M5R)	not elec.brak.detent	Gasolina	FWD	1997	110	150	03.16-	■
2.0 AWD (M5R)	not elec.brak.detent	Gasolina	4WD	1997	110	150	03.16-	■
2.0 (M5R)	not elec.brak.detent	Gasolina	FWD	1997	113	154	11.18-	■
KOLEOS 11.16-				SUV (Compact SUV-J Segment)				
2.0 (M5R)	not elec.brak.detent	Gasolina	FWD	1997	110	150	11.16-	■
SCe230 (M5R)	not elec.brak.detent	Gasolina	FWD	1997	113	154	04.19-	■
2.5 SCe230 (QR25)	not elec.brak.detent	Gasolina	FWD	2488	137	186	11.16-	■
2.5 SCe230 AWD (QR25)	not elec.brak.detent	Gasolina	4WD	2488	137	186	11.16-	■
SUZUKI								
GRAND VITARA III / ESCUDO / GRAND ESCUDO (JT, TE, TD) 04.05-				Closed Off-Road Vehicle (Compact SUV-J Segment)				
1.3		Gasolina	RWD	1298	59	80	05.05-07.06	■
1.3		Gasolina	FWD	1328	61	83	08.06-02.15	■
1.6 A las 4 ruedas (TA74, JB416) (M16A)		Gasolina	4WD	1586	73	99	09.05-02.15	■
1.6 (JB416) (M16A)		Gasolina	RWD	1586	78	106	10.05-	■
1.6 A las 4 ruedas (JB416) (M16A)		Gasolina	4WD	1586	78	106	04.05-02.15	■
1.6		Gasolina	FWD	1586	88	120	01.15-02.15	■
1.6 A las 4 ruedas		Gasolina	FWD	1586	88	120	01.15-02.15	■
2.0 A las 4 ruedas (JB420)		Gasolina	4WD	1995	95	129	07.07-02.10	■
2.0 (JB420) (J20A)		Gasolina	RWD	1995	99	135	01.10-	■
2.0 (JB420)		Gasolina	FWD	1995	101	137	10.05-	■
2.0 (JB420) (J20A)		Gasolina	RWD	1995	103	140	10.05-02.15	■
2.0 A las 4 ruedas (TD54V, JB420) (J20A)	disc brak.rear axle	Gasolina	4WD	1995	103	140	10.05-02.15	■
2.4 A las 4 ruedas (JB424)		Gasolina	4WD	2393	120	163	09.13-02.15	■
2.4 (JB424)		Gasolina	FWD	2393	121	164	10.16-	■
2.4 (JB424) (J24B)		Gasolina	RWD	2393	122	166	09.08-	■
2.4 A las 4 ruedas (JT424, JB424, TDA4) (J24B)		Gasolina	4WD	2393	122	166	01.09-	■
2.4 (JB424) (J24B)		Gasolina	RWD	2393	124	169	09.09-	■
2.4 A las 4 ruedas (JB424) (J24B)		Gasolina	4WD	2393	124	169	01.09-	■
2.7 A las 4 ruedas		Gasolina	FWD	2736	126	171	10.06-11.07	■
2.7 A las 4 ruedas		Gasolina	FWD	2736	135	184	01.07-	■
2.7 (JB627) (H 27 A)		Gasolina	RWD	2736	138	188	09.05-12.08	■
2.7 A las 4 ruedas		Gasolina	FWD	2736	138	188	01.07-	■
2.7 A las 4 ruedas (JB627, TD94V) (H 27 A)		Gasolina	4WD	2737	138	188	04.05-08.08	■
3.2 A las 4 ruedas (JB632, TDB4) (N32A)		Gasolina	4WD	3195	165	224	06.08-02.15	■
3.2		Gasolina	FWD	3195	171	233	01.09-12.10	■
3.2 A las 4 ruedas (TDB4, JT632, JB632) (N32A)		Gasolina	4WD	3195	171	233	01.09-02.15	■
1.9 DDiS (JB419WD, JB419XD) (F9QB)		Diesel	RWD	1870	95	129	03.06-08.08	■
1.9 DDiS A las 4 ruedas (JT419, TD44, JB419WD, JB419XD,...) (F9QB)		Diesel	4WD	1870	95	129	10.05-02.15	■
1.9 DDiS A las 4 ruedas (JT419, TD44, JB419WD, JB419XD,...) (F9QC)		Diesel	4WD	1870	95	129	10.05-02.15	■
2.0 HDi A las 4 ruedas		Diesel	4WD	1997	80	109	01.06-02.15	■
LANDY (SC26) 01.10-				MPV (Large MPV-M1 Segment)				
2.0		Gasolina	FWD	1997	106	144	01.10-	■
2.0		Gasolina	FWD	1997	108	147	01.10-	■

LISTA DE APLICACIONES - BUYERS GUIDE

LANDY II (SC27) 12.16-					MPV (Large MPV-M1 Segment)			
2.0 (MR20)	Gasolina	FWD	1997	110	150	12.16-	■	
2.0 (MR20)	Gasol./el éc.	FWD	1997	110	150	12.16-	■	
XL-7 II (DA, DB) 09.06-12.09					SUV (Compact SUV-J Segment)			
3.6 A las 4 ruedas (H 36 A)	Gasolina	4WD	3564	185	252	01.07-12.09	■	
VENUCIA								
CHENFENG 09.14-					Hatchback ()			
EV (EM57)	Eléctrico	FWD	0	80	109	09.14-	■	