

LISTA DE APLICACIONES - BUYERS GUIDE

181902

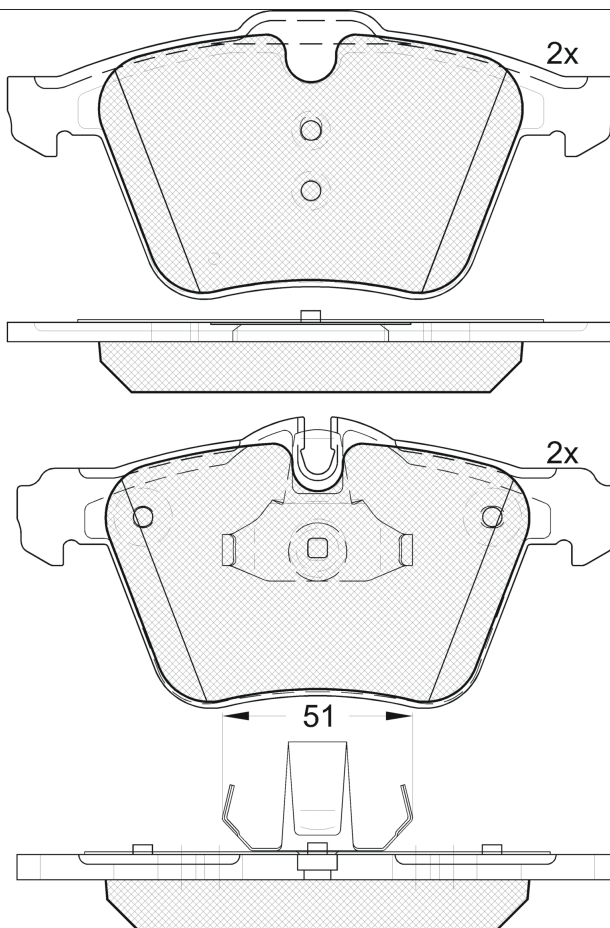


8 424073 098214

Qty: 300

Weight: 2.155

O.E.M.	MAKE
02 C2C 40926	JAGUAR
02 C2Z 14096	JAGUAR
2CZ 14096	JAGUAR
C2C 14096	JAGUAR
C2C 27291	JAGUAR
C2C 35440	JAGUAR
C2C 36974	JAGUAR
C2D 60654	JAGUAR
C2Z 14096	JAGUAR
C2Z 32076	JAGUAR



181902

E 9 90R-01111/2572



Ate - Teves

154.9x75.1x20.1
156.4x74.34x20.1

WVA	FMSI
24079	D1240-8357
24080	
24521	

MAKE
JAGUAR



Trac.	CC	Kw	CV		Front / Rear
-------	----	----	----	--	--------------

JAGUAR

S-TYPE II (X200) 10.98-12.08						Saloon (Executive car-E Segment)			
R 4,2 V8 (AJ8FT)	01/06-	Gasolina	RWD	4196	291	396	04.02-10.07	■	
4.2 Supercharged (AJ8FT)		Gasolina	RWD	4196	298	405	11.01-12.08	■	
XF (X250) 03.08-04.15						Saloon (Luxury car-F Segment)			
3.0 (AJ6WG)		Gasolina	RWD	2967	175	238	03.08-04.15	■	
3.0		Gasolina	FWD	2967	179	243	03.08-04.15	■	
3.0 (306PS)		Gasolina	RWD	2995	250	340	03.12-04.15	■	
3.0 AWD (306PS)		Gasolina	4WD	2995	250	340	10.12-04.15	■	
4.2 Supercharged (SV8TS)	-12/10	Gasolina	RWD	4196	306	416	03.08-04.15	■	
5.0 (508PN)		Gasolina	RWD	5000	283	385	03.09-04.15	■	
5.0 Supercharged (508PS)		Gasolina	RWD	5000	346	471	01.09-04.15	■	
5.0 Supercharged (508PS)	-12/10	Gasolina	RWD	5000	375	510	03.09-04.15	■	
3.0 D (AJV6D)		Diesel	RWD	2993	155	211	03.09-04.15	■	
3.0 D (306DT)		Diesel	RWD	2993	177	241	03.09-04.15	■	
3.0 D (AJV6D)		Diesel	RWD	2993	177	241	03.09-04.15	■	
3.0 D (306DT)		Diesel	RWD	2993	202	275	03.09-04.15	■	
3.0 D (AJV6D)		Diesel	RWD	2993	202	275	03.09-04.15	■	
XF II SPORTBRAKE (X250) 09.12-12.15						Estate (Luxury car-F Segment)			
3.0 D (306DT)		Diesel	RWD	2993	177	241	09.12-04.14	■	
3.0 D (AJV6D)		Diesel	RWD	2993	177	241	09.12-04.14	■	
3.0 D (306DT)		Diesel	RWD	2993	202	275	09.12-04.14	■	
3.0 D (AJV6D)		Diesel	RWD	2993	202	275	09.12-04.14	■	

LISTA DE APLICACIONES - BUYERS GUIDE

XJ (X350, X358) 03.03-03.09						Saloon (Luxury car-F Segment)			
2.0 Ti4 (204PT)	-ch U39426	Gasolina	RWD	1999	177	241	05.12-12.19	■	
R 4.2 (AJ33SC)		Gasolina	RWD	4196	291	395	03.03-03.09	■	
R 4.2 (AJ8FT)		Gasolina	RWD	4196	291	395	03.03-03.09	■	
5.0 V8 (508PN)		Gasolina	RWD	5000	283	385	10.09-12.19	■	
3.0 SDV6 (306DT)	01/10-	Diesel	RWD	2993	202	275	10.09-04.16	■	
3.0 SDV6 (306DT)		Diesel	RWD	2993	221	300	04.15-12.19	■	
XK II (X150) 03.06-07.14						Convertible (Grand Tourer-S Segment)			
4.2		Gasolina	RWD	4196	291	396	09.07-12.09	■	
4.2 XKR (SV8TS)	discØ 355	Gasolina	RWD	4196	306	416	03.06-07.14	■	
4.2 XKR (SV8TS)	discØ 355	Gasolina	RWD	4196	313	426	08.06-07.14	■	
5.0 V8 (508PN)		Gasolina	RWD	5000	283	385	01.09-07.14	■	
XK II (X150) 03.06-12.14						Coupe (Grand Tourer-S Segment)			
4.2 XKR (AJ8FT)		Gasolina	RWD	4196	291	396	03.06-07.14	■	
4.2 XKR (SV8TS)		Gasolina	RWD	4196	306	416	03.06-07.14	■	
4.2 XKR (SV8TS)	discØ 355	Gasolina	RWD	4196	313	426	08.06-07.14	■	
5.0 V8 (508PN)		Gasolina	RWD	5000	283	385	01.09-07.14	■	