

# LISTA DE APLICACIONES - BUYERS GUIDE

## 181903

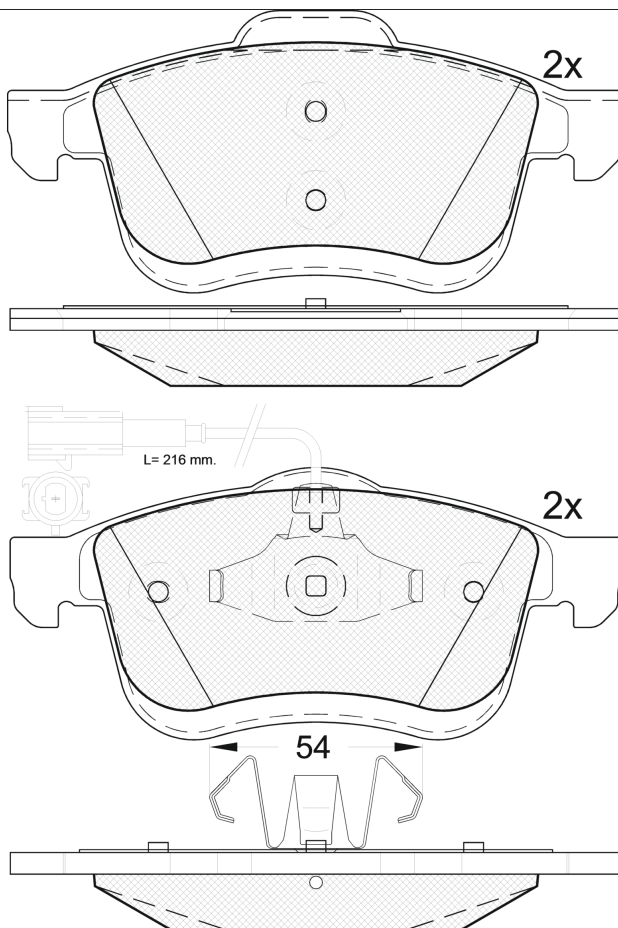


8 424073 098221

Qty: 300

Weight: 2.050

O.E.M.	MAKE
16 05 164	OPEL
16 05 182	OPEL
16 05 267	OPEL
16 05 293	OPEL
5 192 852 9	FIAT
68261719AA	FIAT
7 736 492 9	LANCIA
7 736 531 1	FIAT
7 736 539 6	FIAT
7 736 579 6	LANCIA
9 551 137 8	OPEL
95 515 028	VAUXHALL
95 518 217	OPEL
95 518 219	OPEL
95 525 468	OPEL
95 551 821 9	OPEL



## 181903



### 90R-01111/2526



Ate - Teves

155.2x69.08x20.3

156.4x71.58x20.3

WVA	FMSI
24727	D1721-9142
24728	
24729	

MAKE
CHRYSLER
FIAT
LANCIA
OPEL
RAM
VAUXHALL



Trac.	CC	Kw	CV		Front / Rear
-------	----	----	----	--	--------------

### CHRYSLER

<b>DELTA 08.11-</b>	<b>Hatchback (Compact car-C Segment)</b>
---------------------	--

2.0 D Multijet (198 A5.000)	discØ 305, 44B	Diesel	FWD	1956	121	165	08.11-	■
-----------------------------	----------------	--------	-----	------	-----	-----	--------	---

### FIAT

<b>DOBLO (223_) 11.00-</b>	<b>Box Body/MPV (LCVs-N1 Segment)</b>
----------------------------	---------------------------------------

1.9 JTD (223ZXE1A) (182 B9.000)		Diesel	FWD	1910	74	100	10.01-	■
---------------------------------	--	--------	-----	------	----	-----	--------	---

<b>DOBLO II (263_) 11.09-</b>	<b>Bus (Minibus-M2-Segment)</b>
-------------------------------	---------------------------------

1.4 Flex	discØ 305, 44B	Gasolina	FWD	1368	63	85	11.09-	■
1.4 (263AXA1A) (843 A1.000)	discØ 305, 44B	Gasolina	FWD	1368	70	95	02.10-12.23	■
1.4 (263AXG1B, 263AXG1A) (198 A4.000)	discØ 305, 44B	Gasolina	FWD	1368	88	120	10.11-12.23	■
1.8 MPI Flex	discØ 305, 44B	Gasolina	FWD	1747	96	131	08.10-	■
1.8 Flex	discØ 305, 44B	Gasolina	FWD	1796	82	112	11.09-07.10	■
1.4 Natural Power (263AXG1B) (198 A4.000)	discØ 305, 44B	Gasol./Gas (CNG)	FWD	1368	88	120	02.10-12.23	■
1.3 D Multijet	discØ 305, 44B	Diesel	FWD	1248	55	75	03.15-	■
1.3 D Multijet (263AXC1A) (199 A3.000)	discØ 305, 44B	Diesel	FWD	1248	66	90	02.10-12.23	■
1.3 D Multijet (263AXC1A) (263 A2.000)	discØ 305, 44B	Diesel	FWD	1248	66	90	02.10-12.23	■
1.3 D Multijet (263AXU1A, 263AYB1A) (330 A1.000)	discØ 305, 44B	Diesel	FWD	1248	70	95	03.16-12.23	■
1.6 D Multijet (263AXH1A, 263AXL11, 263AXH1B) (263 A4.000)	discØ 305, 44B	Diesel	FWD	1598	66	90	02.10-12.23	■
1.6 D Multijet (263AXP1B, 263AXW1B) (263 A7.000)	discØ 305, 44B	Diesel	FWD	1598	70	95	03.15-12.23	■
1.6 D Multijet (263AXE1B, 263AXY1B) (263 A3.000)	discØ 305, 44B	Diesel	FWD	1598	74	100	03.16-12.23	■
1.6 D Multijet (263AXE1B, 263AXY1B) (263 A9.000)	discØ 305, 44B	Diesel	FWD	1598	74	100	03.16-12.23	■

# LISTA DE APLICACIONES - BUYERS GUIDE

1.6 D Multijet (263AXD1B, 263AXX1B) (198 A3.000)	discØ 305, 44B	Diesel	FWD	1598	77	105	01.10-12.23	■	
1.6 D Multijet (263AXD1B, 263AXX1B) (263 A8.000)	discØ 305, 44B	Diesel	FWD	1598	77	105	01.10-12.23	■	
1.6 D Multijet (263AXN1B, 263AXV1B) (940 C1.000)	discØ 305, 44B	Diesel	FWD	1598	88	120	03.15-12.23	■	
2.0 D Multijet (263AXF1B) (263 A1.000)	discØ 305, 44B	Diesel	FWD	1956	99	135	01.10-12.23	■	
							<b>Platform/Chassis (LCVs-N1 Segment)</b>		
<b>DOBLO II / PRATICO (263_) 02.10-</b>									
1.4 (843 A1.000)	discØ 305, 44B	Gasolina	FWD	1368	70	95	04.10-12.23	■	
1.4 (198 A4.000)	discØ 305, 44B	Gasolina	FWD	1368	88	120	10.11-12.23	■	
1.4 Natural Power (198 A4.000)	discØ 305, 44B	Gasol./Gas (CNG)	FWD	1368	88	120	06.10-12.23	■	
1.3 D Multijet (263 A6.000)	44B	Diesel	FWD	1248	55	75	11.13-12.23	■	
1.3 D Multijet (263HXT1A, 263YXT1A, 263YYA1A, 263HYA1A) (225 A2.000)	44B	Diesel	FWD	1248	59	80	03.16-12.23	■	
1.3 D Multijet (199 A3.000)	discØ 305, 44B	Diesel	FWD	1248	66	90	02.10-12.23	■	
1.3 D Multijet (263 A2.000)	discØ 305, 44B	Diesel	FWD	1248	66	90	02.10-12.23	■	
1.3 D Multijet (263HXU1A, 263YXU1A, 263HYB1A, 263YYB1A) (330 A1.000)	44B	Diesel	FWD	1248	70	95	03.16-12.23	■	
1.6 D Multijet (263 A4.000)	discØ 305, 44B	Diesel	FWD	1598	66	90	02.10-12.23	■	
1.6 D Multijet (263 A5.000)	discØ 305, 44B	Diesel	FWD	1598	66	90	02.10-12.23	■	
1.6 D Multijet (263HXE1B, 263HXS1B, 263HXY1B, 263YXE1B,...) (263 A3.000)	discØ 305, 44B	Diesel	FWD	1598	74	101	02.11-12.23	■	
1.6 D Multijet (263HXE1B, 263HXS1B, 263HXY1B, 263YXE1B,...) (263 A9.000)	discØ 305, 44B	Diesel	FWD	1598	74	101	02.11-12.23	■	
1.6 D Multijet (263YXD1B, 263XYR1B, 263YXX1B, 263HXD1B,...) (198 A3.000)	discØ 305, 44B	Diesel	FWD	1598	77	105	02.10-12.23	■	
1.6 D Multijet (263YXD1B, 263XYR1B, 263YXX1B, 263HXD1B,...) (263 A8.000)	discØ 305, 44B	Diesel	FWD	1598	77	105	02.10-12.23	■	
1.6 D Multijet (263HXN1B, 263YXN1B, 263HXV1B, 263YXV1B) (940 C1.000)	44B	Diesel	FWD	1598	88	120	02.16-12.23	■	
2.0 D Multijet (263 A1.000)	discØ 305, 44B	Diesel	FWD	1956	99	135	02.10-12.23	■	
							<b>Box Body/MPV (LCVs-N1 Segment)</b>		
<b>DOBLO II Cargo (263_) 02.10-</b>									
1.4 (843 A1.000)	discØ 305, 44B	Gasolina	FWD	1368	70	95	02.10-12.23	■	
1.4 (198 A4.000)	discØ 305, 44B	Gasolina	FWD	1368	88	120	10.11-12.23	■	
1.4 Natural Power (198 A4.000)	discØ 305, 44B	Gasol./Gas (CNG)	FWD	1368	88	120	06.10-12.23	■	
1.3 D Multijet (263 A6.000)	44B	Diesel	FWD	1248	55	75	11.13-12.23	■	
1.3 D Multijet (263ZXT1A, 263WXT1A, 263ZYA1A, 263WYA1A) (225 A2.000)	44B	Diesel	FWD	1248	59	80	03.16-12.23	■	
1.3 D Multijet (199 A3.000)	discØ 305, 44B	Diesel	FWD	1248	66	90	02.10-12.23	■	
1.3 D Multijet (263 A2.000)	discØ 305, 44B	Diesel	FWD	1248	66	90	02.10-12.23	■	
1.3 D Multijet (263WXU1A, 263ZXU1A, 263WYB1A, 263ZYB1A) (330 A1.000)	44B	Diesel	FWD	1248	70	95	03.16-12.23	■	
1.6 D Multijet (263 A4.000)	discØ 305, 44B	Diesel	FWD	1598	66	90	02.10-12.23	■	
1.6 D Multijet (263 A5.000)	discØ 305, 44B	Diesel	FWD	1598	66	90	02.10-12.23	■	
1.6 D Multijet (263ZXR1B) (263 A7.000)	44B	Diesel	FWD	1598	70	95	03.15-12.23	■	
1.6 D Multijet (263ZXE1B, 263ZXS1B, 263ZXY1B, 263WXE1B,...) (263 A3.000)	discØ 305, 44B	Diesel	FWD	1598	74	100	02.10-12.23	■	
1.6 D Multijet (263ZXE1B, 263ZXS1B, 263ZXY1B, 263WXE1B,...) (263 A9.000)	discØ 305, 44B	Diesel	FWD	1598	74	100	02.10-12.23	■	
1.6 D Multijet (263WXD1B, 263WXR1B, 263WXX1B, 263ZXD1B,...) (198 A3.000)	discØ 305, 44B	Diesel	FWD	1598	77	105	02.10-	■	
1.6 D Multijet (263WXD1B, 263WXR1B, 263WXX1B, 263ZXD1B,...) (263 A8.000)	discØ 305, 44B	Diesel	FWD	1598	77	105	02.10-	■	
1.6 D Multijet (263WXN1B, 263ZXX1B, 263ZXV1B, 263WXV1B,...) (940 C1.000)	44B	Diesel	FWD	1598	88	120	02.16-12.23	■	
2.0 D Multijet (263 A1.000)	discØ 305, 44B	Diesel	FWD	1956	99	135	02.10-12.23	■	

**LANCIA**

# LISTA DE APLICACIONES - BUYERS GUIDE

<b>DELTA III (844_) 08.08-08.14</b>						<b>Hatchback (Compact car-C Segment)</b>			
1.8 (844.AXH12) (939 B1.000)		Gasolina	FWD	1742	147	200	01.09-08.14	■	
1.9 D Multijet (844.AXE1A) (844 A1.000)	discØ 305, 44B	Diesel	FWD	1910	140	190	01.09-08.14	■	
2.0 D Multijet (844.AXG1A, 844.AXN1A) (844 A2.000)	discØ 305, 44B	Diesel	FWD	1956	120	163	09.08-08.14	■	
2.0 D Multijet (844.AXD1A, 844.AXM1A) (198 A5.000)	discØ 305, 44B	Diesel	FWD	1956	121	165	09.08-08.14	■	
2.0 D Multijet (844.AXD1A, 844.AXM1A) (198 A8.000)	discØ 305, 44B	Diesel	FWD	1956	121	165	09.08-08.14	■	
<b>KAPPA (838_) 07.96-03.01</b>						<b>Coupe (Executive car-E Segment)</b>			
2.0 20V Turbo (838CM) (175 A3.000)		Gasolina	FWD	1998	162	220	06.98-03.01	■	
<b>KAPPA (838_) 08.94-10.01</b>						<b>Saloon (Executive car-E Segment)</b>			
2.0 20V Turbo (838AM1AA) (175 A3.000)		Gasolina	FWD	1998	162	220	06.98-10.01	■	
<b>KAPPA SW (838_) 07.96-10.01</b>						<b>Estate (Executive car-E Segment)</b>			
2.0 20V Turbo (838BM1AA) (175 A3.000)		Gasolina	FWD	1998	162	220	06.98-10.01	■	
<b>OPEL</b>									
<b>COMBO D (X12) 02.12-</b>						<b>Box Body/MPV (LCVs-N1 Segment)</b>			
1.4 (B05) (A 14 FP)	discØ 305, 44B	Gasolina	FWD	1368	70	95	02.12-	■	
1.4 (B05) (A 14 FC)	discØ 305, 44B	Gasolina	FWD	1368	88	120	02.12-	■	
1.4 CNG (B05) (A 14 FC)	discØ 305, 44B	Gasol./Gas (CNG)	FWD	1368	88	120	02.12-	■	
1.3 CDTI (B05)	discØ 305, 44B	Diesel	FWD	1248	55	75	02.12-	■	
1.3 CDTI (B05) (A 13 FD)		Diesel	FWD	1248	59	80	02.12-	■	
1.3 CDTI (B05) (A 13 FD)	discØ 305, 44B	Diesel	FWD	1248	66	90	02.12-	■	
1.3 CDTI (B05) (A 13 FD)	discØ 305, 44B	Diesel	FWD	1248	70	95	03.16-	■	
1.6 CDTI (B05) (A 16 FDL)	discØ 305, 44B	Diesel	FWD	1598	66	90	02.12-	■	
1.6 CDTI (B05)	discØ 305, 44B	Diesel	FWD	1598	70	95	04.15-	■	
1.6 CDTI (B05) (A 16 FDL)	discØ 305, 44B	Diesel	FWD	1598	74	101	02.12-	■	
1.6 CDTI (B05) (A 16 FDH)	discØ 305, 44B	Diesel	FWD	1598	77	105	02.12-	■	
1.6 CDTI (B05) (A 16 FDL)	discØ 305, 44B	Diesel	FWD	1598	88	120	04.15-	■	
2.0 CDTI (B05) (A 20 FD)	discØ 305, 44B	Diesel	FWD	1956	99	135	02.12-	■	
<b>COMBO D (X12) 08.12-</b>						<b>Platform/Chassis (LCVs-N1 Segment)</b>			
1.3 CDTi	discØ 305, 44B	Diesel	FWD	1248	55	75	08.12-	■	
2.0 CDTi	discØ 305, 44B	Diesel	FWD	1956	99	135	08.12-	■	
<b>COMBO D Tour (X12) 02.12-</b>						<b>MPV (Large MPV-M1 Segment)</b>			
1.4 (C26, D26, E26, C06) (A 14 FP)	discØ 305, 44B	Gasolina	FWD	1368	70	95	02.12-	■	
1.4 (C26, D26, E26, C06) (A 14 FC)	discØ 305, 44B	Gasolina	FWD	1368	88	120	02.12-	■	
1.4 CNG (C26, D26, E26, C05) (A 14 FC)	discØ 305, 44B	Gasol./Gas (CNG)	FWD	1368	88	120	02.12-	■	
1.3 CDTI (C26, D26, E26, C05) (A 13 FD)		Diesel	FWD	1248	59	80	03.15-	■	
1.3 CDTI (C26, D26, E26, C05) (A 13 FD)	discØ 305, 44B	Diesel	FWD	1248	66	90	02.12-	■	
1.3 CDTI (C26, D26, E26, C05) (A 13 FD)		Diesel	FWD	1248	70	95	03.16-	■	
1.6 CDTI (C26, D26, E26, C05) (A 16 FDL)	discØ 305, 44B	Diesel	FWD	1598	66	90	02.12-	■	
1.6 CDTI (C26, D26, E26, C05) (A 16 FDL)	discØ 305, 44B	Diesel	FWD	1598	70	95	03.15-	■	
1.6 CDTI (C26, D26, E26, C05)	discØ 305, 44B	Diesel	FWD	1598	74	101	02.12-	■	
1.6 CDTI (C26, D26, E26, C05) (A 16 FDH)	discØ 305, 44B	Diesel	FWD	1598	77	105	02.12-	■	
1.6 CDTI (C26, D26, E26, C05) (A 16 FDL)	discØ 305, 44B	Diesel	FWD	1598	88	120	03.15-	■	
2.0 CDTI (C26, D26, E26, C05) (A 20 FD)	discØ 305, 44B	Diesel	FWD	1956	99	135	02.12-	■	
<b>RAM</b>									

# LISTA DE APLICACIONES - BUYERS GUIDE

<b>PROMASTER 1500 (VF1) 09.13-</b>					<b>Van (LCVs-N1 Segment)</b>			
3.6		Gasolina	FWD	3604	209	284	09.13-	■
<b>PROMASTER 2500 (VF2) 09.13-</b>					<b>Van (LCVs-N1 Segment)</b>			
3.6		Gasolina	FWD	3604	209	284	09.13-	■
<b>PROMASTER 3500 (VF3) 09.13-</b>					<b>Van (LCVs-N1 Segment)</b>			
3.6		Gasolina	FWD	3604	209	284	09.13-	■
<b>VAUXHALL</b>								
<b>COMBO Mk III (D) (X12) 11.11-</b>					<b>Box Body/MPV (LCVs-N1 Segment)</b>			
1.4 (A 14 FP)		Gasolina	FWD	1368	70	95	11.11-	■
1.4 CNG		Gasol./Gas (CNG)	FWD	1368	88	120	11.11-	■
1.3 CDTi (A 13 FD)		Diesel	FWD	1248	66	90	11.11-	■
1.3 CDTi	discØ 305, 44B	Diesel	FWD	1248	70	95	03.16-	■
1.6 CDTi (A 16 FDL)		Diesel	FWD	1598	66	90	11.11-	■
1.6 CDTi (A 16 FDH)		Diesel	FWD	1598	74	101	11.11-	■
1.6 CDTi (A 16 FDH)		Diesel	FWD	1598	77	105	11.11-	■
2.0 CDTi (A 20 FD)		Diesel	FWD	1956	99	135	11.11-	■