

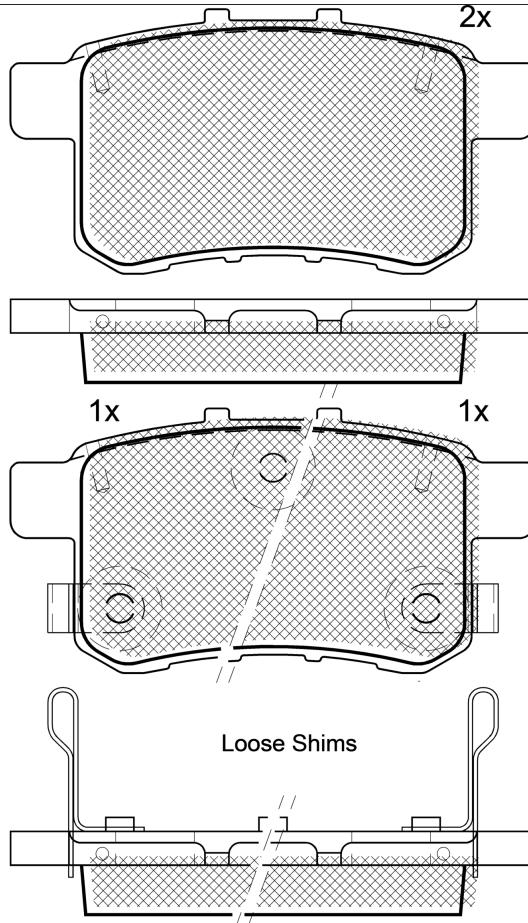
LISTA DE APLICACIONES - BUYERS GUIDE

181907



Qty: 300 Weight: 875

O.E.M.	MAKE
43022-TA0-A00	HONDA
43022-TA0-A40	HONDA
43022-TA0-A41	HONDA
43022-TA0-A42	HONDA
43022-TA0-A70	HONDA
43022-TA0-A80	HONDA
43022-TA0-A81	HONDA
43022-TL1-G00	HONDA
43022-TL1-G01	HONDA
43022-TL1-G02	HONDA



181907

E 9 90R-01111/2388



Nissin

93.5x47.1x15.4

WVA	FMSI
24387	D1336-8447
24435	D1451-8447
24661	D1451-8711
24662	

MAKE
ACURA
HONDA
HONDA (GAC)



Trac.	CC	Kw	CV
-------	----	----	----



Front / Rear

ACURA

TSX II (U.S.A.) 09.08-	Saloon (Compact executive car-D Segment)							
2.4	Gasolina	FWD					09.08-12.11	■
3.5 V6	Gasolina	FWD					09.09-12.11	■
2.4 (K24Z3)	Gasolina	FWD	2354	150	204		09.10-	■
2.4	Gasolina	FWD	2354	152	207		01.12-	■
3.5	Gasolina	FWD	3471	209	284		01.12-	■

HONDA

ACCORD IX 09.12-	Coupe (Executive car-E Segment)							
2.4	Gasolina	FWD	2354	141	192		09.13-	■
2.4 (K24Z3)	Gasolina	FWD	2356	138	188		09.12-	■
3.5	Gasolina	FWD	3471	204	277		09.13-	■
3.5 (J35Y1)	Gasolina	FWD	3471	207	282		09.12-	■

ACCORD IX (CR) 09.12-	Saloon (Executive car-E Segment)							
2.0	Gasolina	FWD	1997	114	155		09.13-	■
2.4	Gasolina	FWD	2354	136	185		09.13-	■
2.4 (K24W1)	Gasolina	FWD	2354	141	192		09.12-	■
2.4 (CR2) (K24W)	Gasolina	FWD	2356	129	175		11.13-	■
2.4 (CR2) (K24W2)	Gasolina	FWD	2356	132	180		07.14-	■
2.4 (CR2) (K24W3)	Gasolina	FWD	2356	132	180		07.14-	■
2.4 (K24Z3)	Gasolina	FWD	2356	138	188		09.12-	■
2.4	Gasolina	FWD	2356	139	189		04.17-	■
3.5 (J35Z2)	Gasolina	FWD	3471	204	277		09.13-	■
3.5	Gasolina	FWD	3471	206	280		11.13-	■

LISTA DE APLICACIONES - BUYERS GUIDE

3.5 (J35Y1)		Gasolina	FWD	3471	207	282	09.12-	■	
2.0 E85 (CR1) (R20Z2)		Gasol./Etanol	FWD	1997	114	155	06.13-	■	
2.0 E85 (CR1) (R20Z3)		Gasol./Etanol	FWD	1997	114	155	06.13-	■	
2.4 E85 (CR2)		Gasol./Etanol	FWD	2356	128	174	06.13-	■	
2.0 Hybrid		Gasol./eléc.	FWD	1993	105	143	01.13-	■	
2.0 Hybrid (CR6)		Gasol./eléc.	FWD	1993	146	199	01.13-04.16	■	
ACCORD VIII (CW) 07.08-					Estate (Compact executive car-D Segment)				
2.0 i	Manual Transmission	Gasolina	FWD	1997	110	150	07.08-	■	
2.0 i (CW1) (R20A3)	Manual Transmission	Gasolina	FWD	1997	115	156	07.08-06.15	■	
2.4 i (CW2) (K24Z3)	Manual Transmission	Gasolina	FWD	2356	148	201	07.08-06.15	■	
2.2 i-DTEC (CW3) (N22B1)	Manual Transmission	Diesel	FWD	2199	110	150	07.08-06.15	■	
2.2 i-DTEC (CW3) (N22B2)		Diesel	FWD	2199	132	180	07.08-06.15	■	
ACCORD VIII (CP) 09.07-					Saloon (Executive car-E Segment)				
2.0 i-VTEC (CP1) (R20A3)	Manual Transmission	Gasolina	FWD	1997	114	155	07.08-09.12	■	
2.4		Gasolina	FWD	2354	136	185	02.08-	■	
3.5 V 6 (CP3) (J35Z2)		Gasolina	FWD	3471	202	275	09.07-09.12	■	
ACCORD VIII / ACCORD EURO (CU) 04.08-					Saloon (Executive car-E Segment)				
2.0 i	Manual Transmission	Gasolina	FWD	1997	110	150	07.08-	■	
2.0 i (CU1) (R20A3)	Manual Transmission	Gasolina	FWD	1997	115	156	06.08-06.15	■	
2.4		Gasolina	FWD	2354	148	201	06.08-12.08	■	
2.4 i (CU2) (K24Z3)	Manual Transmission	Gasolina	FWD	2356	148	201	07.08-06.15	■	
2.2 i-DTEC (CU3) (N22B1)		Diesel	FWD	2199	110	150	07.08-06.15	■	
2.2 i-DTEC (CU3) (N22B2)		Diesel	FWD	2199	132	180	07.08-06.15	■	
ACCORD X (CV) 10.17-					Saloon (Executive car-E Segment)				
1.5 iVTEC (CV1)		Gasolina	FWD	1498	138	188	10.17-	■	
1.5 iVtec		Gasolina	FWD	1498	140	190	07.19-	■	
1.5 VTEC		Gasolina	FWD	1498	143	194	10.18-	■	
1.5 VTEC (CV1) (L15BE)		Gasolina	FWD	1498	146	198	10.17-	■	
1.5 iVTEC (CV1)		Gasolina	FWD	1498	148	201	02.20-	■	
2.0 iVTEC (CV2) (K20C4)		Gasolina	FWD	1996	182	247	10.17-	■	
2.0 iVTEC		Gasolina	FWD	1996	184	250	11.18-	■	
2.0 iVTEC		Gasolina	FWD	1996	188	256	01.18-	■	
2.0 iVtec Hybrid Flex (CV3)		Gasol./etanol/eléc.	FWD	1993	107	145	03.19-	■	
1.5 iVTEC Flex		Gasol./Etanol	FWD	1498	140	190	03.19-	■	
2.0 Hybrid (CV2, CV3)		Gasol./eléc.	FWD	1993	158	215	10.18-	■	
HONDA (GAC)									
ACCORD X (CV_) 04.18-					Saloon (Compact executive car-D Segment)				
230 TURBO (L15BM)		Gasolina	FWD	1498	130	177	05.18-	■	
260 TURBO (L15BN)		Gasolina	FWD	1498	143	194	05.18-	■	
HEV (LFB11)		Gasol./eléc.	FWD	1993	107	145	08.18-	■	