

LISTA DE APLICACIONES - BUYERS GUIDE

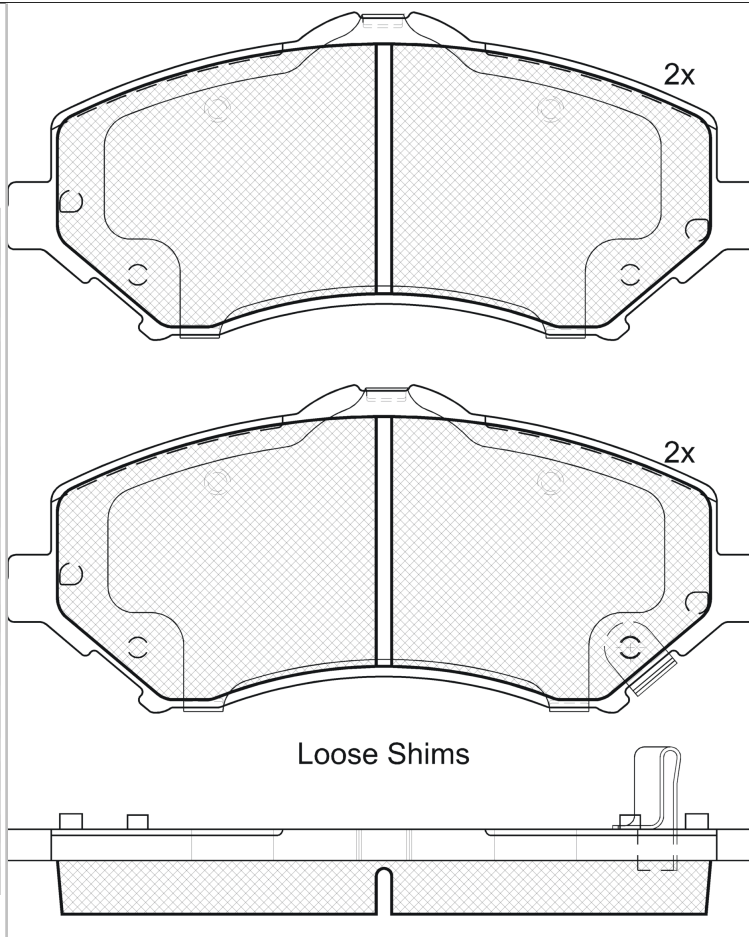
181908



8 424073 098276

Qty: 300

Weight: 1.845



181908

E 9 90R-01111/2614



Bosch

146.65x63.8x17.1

O.E.M.	MAKE
068003701AB	CHRYSLER
2AMV-3762-AB	DODGE
68003701AA	JEEP
68003701AB	JEEP
68029264AA	DODGE
68029264AB	DODGE
68044866AB	JEEP
68053152AA	DODGE
68093323AB	CHRYSLER
7B0 698 151 A	VW
7B0 698 151 C	VW
7B0 698 151 D	VW
7B0698151A	AUDI
7B0698151C	AUDI
7B0698151D	AUDI
7B0698151F	AUDI
K68029264AB	CHRYSLER
K68053152AA	CHRYSLER
K6809-3323-AB	LANCIA
LC003701AB	JEEP
V1013152AB	DODGE
V1013701AB	DODGE
V1018762AA	DODGE
V1018762AB	DODGE
V1018762AC	DODGE

WVA	FMSI
24604	D1273-8389
24605	D1327-8389
24821	D1327-8439

MAKE
CHRYSLER
DODGE
FIAT
JEEP
LANCIA
VW



Trac.	CC	Kw	CV
-------	----	----	----



Front / Rear

CHRYSLER

GRAND VOYAGER V / TOWN & COUNTRY V (RT) 01.08-12.11						Box Body/MPV (Large MPV-M1 Segment)			
3.8	not for ABS	Gasolina	FWD	3778	142	193	01.08-12.11	■	
2.8 CRDI	BRE	Diesel	FWD	2777	120	163	01.08-12.11	■	
GRAND VOYAGER V / TOWN & COUNTRY V (RT) 10.07-						MPV (Large MPV-M1 Segment)			
3.3 (EGV)	vehicles with ABS, Syst. BRE, BRG, BR3, BR4, BRE, BRG	Gasolina	FWD	3301	125	170	01.08-	■	
3.6 (ERB)	BRF, BRG, BRE	Gasolina	FWD	3604	208	283	02.11-	■	
3.6 (ERB)	BRF, BRG, BRE	Gasolina	FWD	3604	211	287	02.11-	■	
3.8 (EGL)	01/09-, vehicles with ABS, Syst. BRE, BRG	Gasolina	FWD	3778	142	193	10.07-	■	
3.8 (EGL)	BRE, BRG	Gasolina	FWD	3778	147	200	09.08-	■	
3.8 (EGL)	BRE, BRG	Gasolina	FWD	3778	148	201	10.07-	■	
4.0 (EMM)	vehicles without ABS	Gasolina	FWD	3952	179	243	10.07-	■	
4.0 (EGQ)	BRE, BRG, vehicles without ABS	Gasolina	FWD	3952	187	254	10.07-	■	
3.6 Flexfuel (ERB)	BRF, BRG, BRE	Gasol./Et anol	FWD	3604	211	287	02.11-	■	
2.8 CRD		Diesel	FWD	2777	120	163	10.07-	■	
2.8 CRD (ENS)	01/09-, vehicles with ABS, Syst. BRE, BRG	Diesel	FWD	2777	120	163	10.07-	■	
2.8 CRD (ENS)	BRE	Diesel	FWD	2777	133	181	09.12-	■	
TOWN & COUNTRY IV 10.00-08.07						MPV (Large MPV-M1 Segment)			
3.3 V6	01/09-	Gasolina	FWD	3295			10.00-	■	
3.8 V6	01/09-	Gasolina	FWD	3795			10.00-	■	

DODGE

LISTA DE APLICACIONES - BUYERS GUIDE

CARAVAN V 01.08-					MPV (Large MPV-M1 Segment)			
3.3	01/09-	Gasolina	FWD	3301	131	178	01.08-	■
3.6		Gasolina	FWD	3605	208	283	01.12-	■
3.8	01/09-	Gasolina	FWD	3778	142	193	01.08-	■
4.0		Gasolina	FWD	3952	189	257	01.09-	■
2.8 CRD		Diesel	FWD	2777	120	163	01.09-	■
GRAND CARAVAN V 06.07-					MPV (Large MPV-M1 Segment)			
3.3 (EGM)	01/08-	Gasolina	FWD	3301	127	173	06.07-	■
3.6 (ERB)	01/16-, Eq.V_ BRE	Gasolina	FWD	3604	211	287	09.10-	■
3.8 (EGH)	01/08-	Gasolina	FWD	3778	148	201	06.07-12.10	■
4.0 (EMM)	01/08-	Gasolina	FWD	3952	173	235	06.07-	■
JOURNEY / JC 06.08-					MPV (Large MPV-M1 Segment)			
2.4 (ED3)	vehicles with ABS, BRF	Gasolina	FWD	2360	125	170	01.09-	■
2.4 (EDG)	vehicles with ABS, BRF	Gasolina	FWD	2360	125	170	01.09-	■
2.4 (ED3)	PR BRF, vehicles with ABS	Gasolina	FWD	2360	127	173	06.12-	■
2.4 (ED3)	vehicles with ABS	Gasolina	FWD	2360	129	175	09.08-	■
2.4 (EDG)	vehicles with ABS	Gasolina	FWD	2360	129	175	09.08-	■
2.4 AWD (ED3,EDG)	vehicles with ABS	Gasolina	4WD	2360	129	175	03.13-	■
2.7 (EER)	vehicles with ABS, PR BRF	Gasolina	FWD	2736	136	185	01.09-	■
2.7		Gasolina	FWD	2736	143	194	11.08-	■
3.5 (EGF)	vehicles with ABS	Gasolina	FWD	3518	173	235	06.08-12.10	■
3.5 AWD (EGF)	vehicles with ABS, PR BRF	Gasolina	4WD	3518	173	235	06.08-12.10	■
3.5 (EGF)	vehicles with ABS	Gasolina	FWD	3518	175	238	09.08-12.10	■
3.5	vehicles with ABS	Gasolina	FWD	3518	175	238	09.08-12.10	■
3.6 AWD (ERB)	PR BRF, vehicles with ABS	Gasolina	4WD	3604	206	280	05.13-	■
3.6 VVT AWD (ERB)	vehicles with ABS	Gasolina	4WD	3604	211	287	04.12-05.13	■
3.6 AWD	vehicles with ABS	Gasolina	FWD	3604	213	290	09.10-	■
3.6 (ERB)	PR BRF, vehicles with ABS	Gasolina	FWD	3605	206	280	06.12-12.15	■
3.6	vehicles with ABS	Gasolina	FWD	3605	208	283	06.12-	■
3.6 (ERB)	PR BRF, vehicles with ABS	Gasolina	FWD	3605	211	287	01.12-	■
2.4 ECO+ (EDG)	vehicles with ABS, BRF	Gasol./Gas (LPG)	FWD	2360	125	170	06.08-	■
2.7 Flexfuel (EER)	PR BRF, vehicles with ABS	Gasol./Etanol	FWD	2736	136	185	01.09-12.11	■
3.6 Flexfuel (ERB)	vehicles with ABS	Gasol./Etanol	FWD	3604	211	387	09.10-	■
3.6 Flexfuel AWD (ERB)	PR BRF, vehicles with ABS	Gasol./Etanol	4WD	3604	211	287	09.10-	■
2.0 TD AWD (EBT)	vehicles with ABS	Diesel	4WD	1956	125	170	01.15-	■
2.0 CRD (ECE)	PR BRF, vehicles with ABS	Diesel	FWD	1968	100	136	06.08-12.11	■
2.0 CRD (ECE)	vehicles with ABS, PR BRF	Diesel	FWD	1968	103	140	06.08-	■
JOURNEY VAN (JC) 06.08-					Box Body/MPV (LCVs-N1 Segment)			
2.4 VVT	vehicles with ABS	Gasolina	FWD	2360	125	170	01.09-12.12	■
2.7 Flexfuel	PR BRF, vehicles with ABS	Gasol./Etanol	FWD	2736	136	185	01.09-12.11	■
3.6 FlexFuel A las 4 ruedas	PR BRF, vehicles with ABS	Gasol./Etanol	4WD	3604	211	287	01.11-	■
2.0 CRD	PR BRF, vehicles with ABS	Diesel	FWD	1968	103	140	06.08-12.11	■
NITRO 09.06-12.13					SUV (Compact SUV-J Segment)			
3.7 V6 4WD (EKG)	not heavy duty chas.	Gasolina	4WD	3700	151	205	06.07-12.12	■
3.7 V6		Gasolina	RWD	3700	154	210	06.07-12.12	■
3.7 (EKG)	not heavy duty chas.	Gasolina	RWD	3700	157	214	09.06-12.12	■
3.7 4WD (EKG)	not heavy duty chas.	Gasolina	4WD	3700	157	214	09.06-12.12	■

LISTA DE APLICACIONES - BUYERS GUIDE

4.0	not heavy duty chas.	Gasolina	RWD	3952	191	260	09.06-12.07	■	
4.0 4WD (EGS)	not heavy duty chas.	Gasolina	4WD	3952	191	260	09.06-12.07	■	
4.0	not heavy duty chas.	Gasolina	RWD	3952	194	264	09.06-12.11	■	
4.0 4WD (EGS)	not heavy duty chas.	Gasolina	4WD	3952	194	264	09.07-12.11	■	
2.8 CRD (ENR)	not heavy duty chas.	Diesel	RWD	2777	120	163	10.06-12.11	■	
2.8 CRD 4WD (ENR)	not heavy duty chas.	Diesel	4WD	2777	120	163	10.07-12.11	■	
2.8 CRD (ENR)	not heavy duty chas.	Diesel	RWD	2777	130	177	06.07-12.12	■	
2.8 CRD (ENS)	not heavy duty chas.	Diesel	RWD	2777	130	177	06.07-12.12	■	
2.8 CRD 4WD (ENR)	not heavy duty chas.	Diesel	4WD	2777	130	177	06.07-12.12	■	
2.8 CRD 4WD (ENS)	not heavy duty chas.	Diesel	4WD	2777	130	177	06.07-12.12	■	
NITRO VAN (KA) 09.06-12.11					SUV Van (Compact SUV-J Segment)				
3.7 4WD	not heavy duty chas.	Gasolina	4WD	3700	151	205	10.06-12.10	■	
4.0 4WD	not heavy duty chas.	Gasolina	4WD	3952	191	260	09.06-12.11	■	
2.8 CRD	not heavy duty chas.	Diesel	RWD	2777	130	177	06.07-12.11	■	
2.8 CRD 4WD	not heavy duty chas.	Diesel	4WD	2777	130	177	10.06-12.10	■	
FIAT									
FREEMONT (345_) 08.11-					MPV (Executive SUV-J Segment)				
2.4 (ED3)	heavy duty chassis	Gasolina	FWD	2360	125	170	08.11-12.15	■	
2.4 (EDG)	heavy duty chassis	Gasolina	FWD	2360	125	170	08.11-12.15	■	
2.4	heavy duty chassis	Gasolina	FWD	2360	127	173	08.11-	■	
2.4	heavy duty chassis	Gasolina	FWD	2360	129	175	08.12-	■	
3.6 (ERB)	heavy duty chassis	Gasolina	FWD	3604	206	280	08.11-12.16	■	
3.6 4x4 (ERB)	heavy duty chassis	Gasolina	4WD	3604	206	280	08.11-12.15	■	
2.0 JTD (939 B5.000)	heavy duty chassis	Diesel	FWD	1956	100	136	08.11-12.15	■	
2.0 JTD (939 B5.000)	heavy duty chassis	Diesel	FWD	1956	103	140	08.11-12.15	■	
2.0 JTD (940 A5.000)	heavy duty chassis	Diesel	FWD	1956	103	140	08.11-12.15	■	
2.0 JTD (939 B5.000)	heavy duty chassis	Diesel	FWD	1956	120	163	08.11-12.15	■	
2.0 JTD 4x4 (939 B5.000)	heavy duty chassis	Diesel	4WD	1956	120	163	08.11-12.15	■	
2.0 JTD (939 B5.000)	heavy duty chassis	Diesel	FWD	1956	125	170	08.11-12.15	■	
2.0 JTD (940 A5.000)	heavy duty chassis	Diesel	FWD	1956	125	170	08.11-12.15	■	
2.0 JTD 4x4 (939 B5.000)	heavy duty chassis	Diesel	4WD	1956	125	170	08.11-12.15	■	
2.0 JTD 4x4 (940 A5.000)	heavy duty chassis	Diesel	4WD	1956	125	170	08.11-12.15	■	
JEEP									
CHEROKEE IV / LIBERTY (KK) 09.07-					Closed Off-Road Vehicle (Compact SUV-J Segment)				
3.7 V6 (EKG)		Gasolina	RWD	3700	151	205	01.08-03.13	■	
3.7 V6 4x4 (EKG)		Gasolina	4WD	3700	151	205	01.08-	■	
3.7 V6 (EKG)	BRY	Gasolina	RWD	3700	157	213	01.08-	■	
3.7 V6 A las 4 ruedas (EKG)		Gasolina	4WD	3700	157	213	01.08-08.12	■	
2.5 DI		Diesel	RWD	2499	90	122	01.10-	■	
2.8 CRD 4x4 (ENS)	01/10-	Diesel	4WD	2777	130	177	05.08-	■	
2.8 CRD 4x4 (ENS)	not heavy duty chas.	Diesel	4WD	2777	147	200	01.10-	■	
COMPASS (MK49) 08.06-					SUV (Compact SUV-J Segment)				
2.4 (ED3)		Gasolina	FWD	2360	125	170	08.06-	■	
2.4 (EDG)		Gasolina	FWD	2360	125	170	08.06-	■	
2.4 (ERZ)		Gasolina	FWD	2360	125	170	08.06-	■	
WRANGLER II (TJ) 08.96-12.08					Open Off-Road Vehicle (Mini SUV-J Segment)				
3.8	01/07-	Gasolina	FWD	3778	153	208	02.06-12.08	■	

LISTA DE APLICACIONES - BUYERS GUIDE

WRANGLER III (JK) 06.06-					Open Off-Road Vehicle (Mini SUV-J Segment)			
3.0	not heavy duty chas.	Gasolina	4WD	2985	172	234	12.13-	■
3.6 V6 (ERB)	not heavy duty chas.	Gasolina	4WD	3604	209	284	10.11-	■
3.6 V6 (ERB)	not heavy duty chas.	Gasolina	4WD	3604	213	290	01.15-	■
3.6	not heavy duty chas.	Gasolina	FWD	3606	209	284	10.11-	■
3.8 (EGT)	not heavy duty chas.	Gasolina	4WD	3778	146	199	04.07-	■
3.8 RWD (EGT)	not heavy duty chas.	Gasolina	RWD	3778	146	199	10.07-09.10	■
3.8	not heavy duty chas.	Gasolina	4WD	3778	151	205	06.06-	■
3.8 RWD	not heavy duty chas.	Gasolina	RWD	3778	151	205	04.07-12.10	■
3.8 (EGT)	not heavy duty chas.	Gasolina	4WD	3778	153	208	04.07-12.11	■
3.8 RWD (EGT)	not heavy duty chas.	Gasolina	RWD	3778	153	208	04.07-12.10	■
2.8 CRD (ENS)	not heavy duty chas.	Diesel	4WD	2776	147	200	11.10-	■
2.8 CRD (ENS)	not heavy duty chas.	Diesel	4WD	2777	120	163	07.10-	■
2.8 CRD (ENS)	not heavy duty chas.	Diesel	4WD	2777	130	177	04.07-	■
WRANGLER IV (JL) 11.17-					Open Off-Road Vehicle (Mini SUV-J Segment)			
3.6 VVT (JL72, JL74) (ERC)	not heavy duty chas.	Gasolina	4WD	3604	209	284	11.17-	■
LANCIA								
VOYAGER (404_) 09.11-12.14					MPV (Large MPV-M1 Segment)			
3.6 V6 (RT, 53) (ERB)	not heavy duty chas.	Gasolina	FWD	3604	208	283	09.11-12.14	■
2.8 CRD (RT, 53) (ENS)	not heavy duty chas.	Diesel	FWD	2776	120	163	09.11-12.14	■
2.8 CRD (RT, 53) (ENS)	not heavy duty chas.	Diesel	FWD	2776	131	178	07.12-12.14	■
VW								
ROUTAN 09.08-12.14					MPV (Large MPV-M1 Segment)			
3.6 (CJRA)	PR 1LA, PR 1LB	Gasolina	FWD	3605	196	267	12.10-12.13	■
3.6 (CJRA)	not heavy duty chas., PR 1LA, PR 1LB	Gasolina	FWD	3605	208	283	01.11-12.13	■
3.8 (CGUA)	not heavy duty chas., PR 1LA, PR 1LB	Gasolina	FWD	3778	147	200	09.08-11.10	■
4.0 (CGVA)	not heavy duty chas., PR 1LA, PR 1LB	Gasolina	FWD	3952	187	254	09.08-11.10	■