

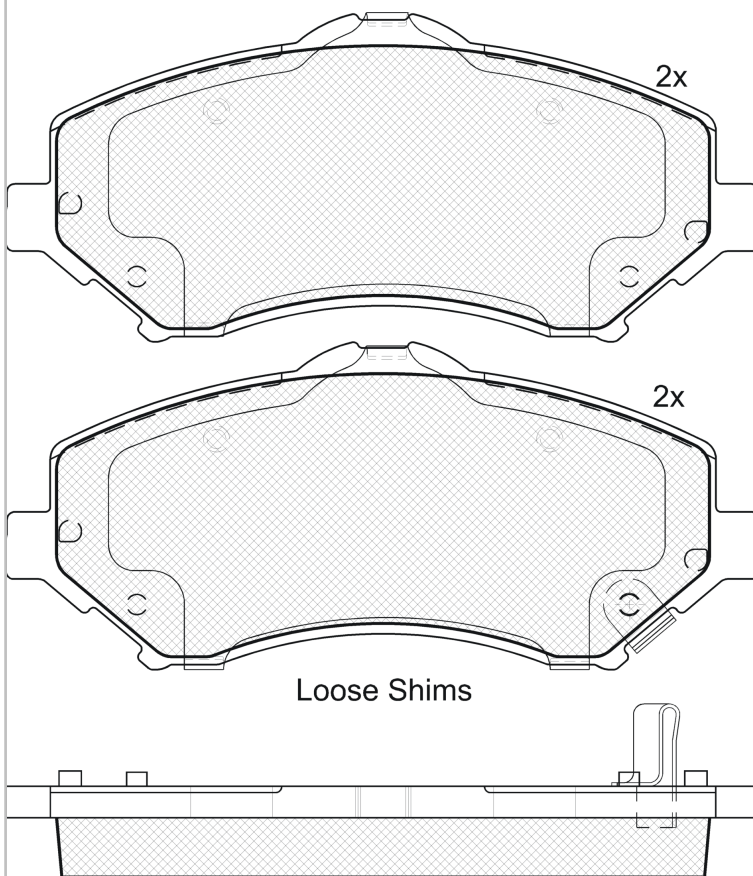
# LISTA DE APLICACIONES - BUYERS GUIDE

## 181908-201



Qty: 300 Weight: 1.915

| O.E.M.        | MAKE  |
|---------------|-------|
| 2AMV-3701-AA  | JEEP  |
| 6 802 926 3AA | FIAT  |
| 68029263AA    | DODGE |
| 68044866AA    | JEEP  |
| 68044866AC    | DODGE |
| 68068762AA    | DODGE |
| 7 177 181 3   | FIAT  |
| K6802-9263-AA | FIAT  |
| K6802-9264-AA | FIAT  |
| K6802-9264-AB | FIAT  |
| K6805-3152-AA | FIAT  |
| K6805-3152-AB | FIAT  |
| K6806-8762-AA | FIAT  |
| K6809-3323-AA | FIAT  |
| V1013701AA    | DODGE |
| V1013701AB    | JEEP  |



## 181908-201

E 9 90R-01111/2615



Bosch

146.65x63.8x18.2

| WVA   | FMSI       |
|-------|------------|
| 24604 | D1327-8481 |
| 24605 |            |
| 24821 |            |

| MAKE     |
|----------|
| CHRYSLER |
| DODGE    |
| FIAT     |
| JEEP     |



| Trac. | CC | Kw | CV |
|-------|----|----|----|
|       |    |    |    |



Front / Rear

### CHRYSLER

| GRAND VOYAGER V / TOWN & COUNTRY V (RT) 01.08-12.11 |         |          |     |      |     | Box Body/MPV (Large MPV-M1 Segment) |             |   |  |
|---|---------|----------|-----|------|-----|-------------------------------------|-------------|---|--|
| 3.8   | for ABS | Gasolina | FWD | 3778 | 142 | 193                                 | 01.08-12.11 | ■ |  |
| 2.8 CRDI  | BRE     | Diesel   | FWD | 2777 | 120 | 163                                 | 01.08-12.11 | ■ |  |

| GRAND VOYAGER V / TOWN & COUNTRY V (RT) 10.07- |                          |               |     |      |     | MPV (Large MPV-M1 Segment) |        |   |  |
|--|--------------------------|---------------|-----|------|-----|----------------------------|--------|---|--|
| 3.3 (EGV)                                      | Syst. BR3, BR4, BR3, BR4 | Gasolina      | FWD | 3301 | 125 | 170                        | 01.08- | ■ |  |
| 3.6 (ERB)                                      | BR4                      | Gasolina      | FWD | 3604 | 208 | 283                        | 02.11- | ■ |  |
| 3.6 (ERB)                                      | BR4                      | Gasolina      | FWD | 3604 | 211 | 287                        | 02.11- | ■ |  |
| 3.8 (EGL)                                      | Syst. BR3, BR4, BR3, BR4 | Gasolina      | FWD | 3778 | 142 | 193                        | 10.07- | ■ |  |
| 3.8 (EGL)                                      | BRE, BRG, BR3, BR4       | Gasolina      | FWD | 3778 | 147 | 200                        | 09.08- | ■ |  |
| 3.8 (EGL)                                      | BR3, BR4                 | Gasolina      | FWD | 3778 | 148 | 201                        | 10.07- | ■ |  |
| 4.0 (EMM)                                      |                          | Gasolina      | FWD | 3952 | 179 | 243                        | 10.07- | ■ |  |
| 4.0 (EGQ)                                      | BR3, BR4                 | Gasolina      | FWD | 3952 | 187 | 254                        | 10.07- | ■ |  |
| 3.6 Flexfuel (ERB)                             | BR4                      | Gasol./Etanol | FWD | 3604 | 211 | 287                        | 02.11- | ■ |  |
| 2.8 CRD  |                          | Diesel        | FWD | 2777 | 120 | 163                        | 10.07- | ■ |  |
| 2.8 CRD (ENS)                                  | Syst. BR3, BR4           | Diesel        | FWD | 2777 | 120 | 163                        | 10.07- | ■ |  |
| 2.8 CRD (ENS)                                  |                          | Diesel        | FWD | 2777 | 133 | 181                        | 09.12- | ■ |  |

### DODGE

| JOURNEY / JC 06.08- |                      |          |     |      |     | MPV (Large MPV-M1 Segment) |        |   |  |
|---------------------|----------------------|----------|-----|------|-----|----------------------------|--------|---|--|
| 2.4 (ED3)           | vehicles without ABS | Gasolina | FWD | 2360 | 125 | 170                        | 01.09- | ■ |  |
| 2.4 (EDG)           | vehicles without ABS | Gasolina | FWD | 2360 | 125 | 170                        | 01.09- | ■ |  |
| 2.4 (ED3)           |                      | Gasolina | FWD | 2360 | 127 | 173                        | 06.12- | ■ |  |
| 2.4 (ED3)           |                      | Gasolina | FWD | 2360 | 129 | 175                        | 09.08- | ■ |  |
| 2.4 (EDG)           |                      | Gasolina | FWD | 2360 | 129 | 175                        | 09.08- | ■ |  |

# LISTA DE APLICACIONES - BUYERS GUIDE

|                                   |                              |                      |     |  |     |     |             |   |
|-----------------------------------|------------------------------|----------------------|-----|--|-----|-----|-------------|---|
| 2.7 (EER)                         | vehicles without ABS         | Gasolina             | FWD | 2736                                   | 136 | 185 | 01.09-      | ■ |
| 2.7                               |                              | Gasolina             | FWD | 2736                                   | 143 | 194 | 11.08-      | ■ |
| 3.5 (EGF)                         | vehicles without ABS         | Gasolina             | FWD | 3518                                   | 173 | 235 | 06.08-12.10 | ■ |
| 3.5 AWD (EGF)                     | vehicles without ABS         | Gasolina             | 4WD | 3518                                   | 173 | 235 | 06.08-12.10 | ■ |
| 3.5                               |                              | Gasolina             | FWD | 3518                                   | 175 | 238 | 09.08-12.10 | ■ |
| 3.6 AWD (ERB)                     |                              | Gasolina             | 4WD | 3604                                   | 206 | 280 | 05.13-      | ■ |
| 3.6 AWD                           |                              | Gasolina             | FWD | 3604                                   | 213 | 290 | 09.10-      | ■ |
| 3.6 (ERB)                         |                              | Gasolina             | FWD | 3605                                   | 206 | 280 | 06.12-12.15 | ■ |
| 3.6 (ERB)                         |                              | Gasolina             | FWD | 3605                                   | 211 | 287 | 01.12-      | ■ |
| 2.4 ECO+ (EDG)                    | vehicles without ABS         | Gasol./G<br>as (LPG) | FWD | 2360                                   | 125 | 170 | 06.08-      | ■ |
| 2.7 Flexfuel (EER)                |                              | Gasol./Et<br>anol    | FWD | 2736                                   | 136 | 185 | 01.09-12.11 | ■ |
| 3.6 Flexfuel AWD (ERB)            |                              | Gasol./Et<br>anol    | 4WD | 3604                                   | 211 | 287 | 09.10-      | ■ |
| 2.0 CRD (ECE)                     |                              | Diesel               | FWD | 1968                                   | 100 | 136 | 06.08-12.11 | ■ |
| 2.0 CRD (ECE)                     | 01/09-, vehicles without ABS | Diesel               | FWD | 1968                                   | 103 | 140 | 06.08-      | ■ |
| <b>JOURNEY VAN (JC) 06.08-</b>    |                              |                      |     | <b>Box Body/MPV (LCVs-N1 Segment)</b>  |     |     |             |   |
| 2.4 VVT                           |                              | Gasolina             | FWD | 2360                                   | 125 | 170 | 01.09-12.12 | ■ |
| 2.7 Flexfuel                      |                              | Gasol./Et<br>anol    | FWD | 2736                                   | 136 | 185 | 01.09-12.11 | ■ |
| 3.6 FlexFuel A las 4 ruedas       |                              | Gasol./Et<br>anol    | 4WD | 3604                                   | 211 | 287 | 01.11-      | ■ |
| 2.0 CRD                           |                              | Diesel               | FWD | 1968                                   | 103 | 140 | 06.08-12.11 | ■ |
| <b>NITRO 09.06-12.13</b>          |                              |                      |     | <b>SUV (Compact SUV-J Segment)</b>     |     |     |             |   |
| 3.7 V6 4WD (EKG)                  |                              | Gasolina             | 4WD | 3700                                   | 151 | 205 | 06.07-12.12 | ■ |
| 3.7 (EKG)                         |                              | Gasolina             | RWD | 3700                                   | 157 | 214 | 09.06-12.12 | ■ |
| 3.7 4WD (EKG)                     |                              | Gasolina             | 4WD | 3700                                   | 157 | 214 | 09.06-12.12 | ■ |
| 4.0 4WD (EGS)                     |                              | Gasolina             | 4WD | 3952                                   | 191 | 260 | 09.06-12.07 | ■ |
| 4.0 4WD (EGS)                     |                              | Gasolina             | 4WD | 3952                                   | 194 | 264 | 09.07-12.11 | ■ |
| 2.8 CRD (ENR)                     |                              | Diesel               | RWD | 2777                                   | 120 | 163 | 10.06-12.11 | ■ |
| 2.8 CRD 4WD (ENR)                 |                              | Diesel               | 4WD | 2777                                   | 120 | 163 | 10.07-12.11 | ■ |
| 2.8 CRD (ENR)                     |                              | Diesel               | RWD | 2777                                   | 130 | 177 | 06.07-12.12 | ■ |
| 2.8 CRD (ENS)                     |                              | Diesel               | RWD | 2777                                   | 130 | 177 | 06.07-12.12 | ■ |
| 2.8 CRD 4WD (ENR)                 |                              | Diesel               | 4WD | 2777                                   | 130 | 177 | 06.07-12.12 | ■ |
| 2.8 CRD 4WD (ENS)                 |                              | Diesel               | 4WD | 2777                                   | 130 | 177 | 06.07-12.12 | ■ |
| <b>NITRO VAN (KA) 09.06-12.11</b> |                              |                      |     | <b>SUV Van (Compact SUV-J Segment)</b> |     |     |             |   |
| 3.7 4WD                           | reinforced brakes            | Gasolina             | 4WD | 3700                                   | 151 | 205 | 10.06-12.10 | ■ |
| 4.0 4WD                           |                              | Gasolina             | 4WD | 3952                                   | 191 | 260 | 09.06-12.11 | ■ |
| 2.8 CRD                           |                              | Diesel               | RWD | 2777                                   | 130 | 177 | 06.07-12.11 | ■ |
| 2.8 CRD 4WD                       | reinforced brakes            | Diesel               | 4WD | 2777                                   | 130 | 177 | 10.06-12.10 | ■ |
| <b>FIAT</b>                       |                              |                      |     |  |     |     |             |   |
| <b>FREEMONT (345_) 08.11-</b>     |                              |                      |     | <b>MPV (Executive SUV-J Segment)</b>   |     |     |             |   |
| 2.4 (ED3)                         |                              | Gasolina             | FWD | 2360                                   | 125 | 170 | 08.11-12.15 | ■ |
| 2.4 (EDG)                         |                              | Gasolina             | FWD | 2360                                   | 125 | 170 | 08.11-12.15 | ■ |
| 2.4                               |                              | Gasolina             | FWD | 2360                                   | 127 | 173 | 08.11-      | ■ |
| 2.4 Flexfuel                      |                              | Gasolina             | FWD | 2360                                   | 127 | 173 | 01.12-      | ■ |
| 2.4                               |                              | Gasolina             | FWD | 2360                                   | 129 | 175 | 08.12-      | ■ |
| 3.6 (ERB)                         |                              | Gasolina             | FWD | 3604                                   | 206 | 280 | 08.11-12.16 | ■ |
| 3.6 4x4 (ERB)                     |                              | Gasolina             | 4WD | 3604                                   | 206 | 280 | 08.11-12.15 | ■ |
| 2.0 JTD (939 B5.000)              |                              | Diesel               | FWD | 1956                                   | 100 | 136 | 08.11-12.15 | ■ |
| 2.0 JTD (939 B5.000)              |                              | Diesel               | FWD | 1956                                   | 103 | 140 | 08.11-12.15 | ■ |
| 2.0 JTD (940 A5.000)              |                              | Diesel               | FWD | 1956                                   | 103 | 140 | 08.11-12.15 | ■ |

# LISTA DE APLICACIONES - BUYERS GUIDE

|                          |  |        |     |      |     |     |             |   |
|--------------------------|--|--------|-----|------|-----|-----|-------------|---|
| 2.0 JTD (939 B5.000)     |  | Diesel | FWD | 1956 | 120 | 163 | 08.11-12.15 | ■ |
| 2.0 JTD 4x4 (939 B5.000) |  | Diesel | 4WD | 1956 | 120 | 163 | 08.11-12.15 | ■ |
| 2.0 JTD (939 B5.000)     |  | Diesel | FWD | 1956 | 125 | 170 | 08.11-12.15 | ■ |
| 2.0 JTD (940 A5.000)     |  | Diesel | FWD | 1956 | 125 | 170 | 08.11-12.15 | ■ |
| 2.0 JTD 4x4 (939 B5.000) |  | Diesel | 4WD | 1956 | 125 | 170 | 08.11-12.15 | ■ |
| 2.0 JTD 4x4 (940 A5.000) |  | Diesel | 4WD | 1956 | 125 | 170 | 08.11-12.15 | ■ |

## JEEP

|  |  |
|--|--|
| <b>CHEROKEE IV / LIBERTY (KK) 09.07-</b> | <b>Closed Off-Road Vehicle (Compact SUV-J Segment)</b> |
|--|--|

|                             |     |          |     |      |     |     |             |   |
|-----------------------------|-----|----------|-----|------|-----|-----|-------------|---|
| 3.7 V6 (EKG)                |     | Gasolina | RWD | 3700 | 151 | 205 | 01.08-03.13 | ■ |
| 3.7 V6 4x4 (EKG)            |     | Gasolina | 4WD | 3700 | 151 | 205 | 01.08-      | ■ |
| 3.7 V6 (EKG)                | BR6 | Gasolina | RWD | 3700 | 157 | 213 | 01.08-      | ■ |
| 3.7 V6 A las 4 ruedas (EKG) |     | Gasolina | 4WD | 3700 | 157 | 213 | 01.08-08.12 | ■ |
| 2.8 CRD 4x4 (ENS)           |     | Diesel   | 4WD | 2777 | 130 | 177 | 05.08-      | ■ |
| 2.8 CRD 4x4 (ENS)           |     | Diesel   | 4WD | 2777 | 147 | 200 | 01.10-      | ■ |

|                              |                                    |
|------------------------------|------------------------------------|
| <b>COMPASS (MK49) 08.06-</b> | <b>SUV (Compact SUV-J Segment)</b> |
|------------------------------|------------------------------------|

|           |  |          |     |      |     |     |        |   |
|-----------|--|----------|-----|------|-----|-----|--------|---|
| 2.4 (ED3) |  | Gasolina | FWD | 2360 | 125 | 170 | 08.06- | ■ |
| 2.4 (EDG) |  | Gasolina | FWD | 2360 | 125 | 170 | 08.06- | ■ |
| 2.4 (ERZ) |  | Gasolina | FWD | 2360 | 125 | 170 | 08.06- | ■ |

|                                 |   |
|---------------------------------|---|
| <b>WRANGLER III (JK) 06.06-</b> | <b>Open Off-Road Vehicle (Mini SUV-J Segment)</b> |
|---------------------------------|---|

|               |                      |          |     |      |     |     |             |   |
|---------------|----------------------|----------|-----|------|-----|-----|-------------|---|
| 3.6 V6 (ERB)  | heavy duty chassis   | Gasolina | 4WD | 3604 | 209 | 284 | 10.11-      | ■ |
| 3.6 V6 (ERB)  |                      | Gasolina | 4WD | 3604 | 213 | 290 | 01.15-      | ■ |
| 3.6           | not heavy duty chas. | Gasolina | FWD | 3606 | 209 | 284 | 10.11-      | ■ |
| 3.8 (EGT)     | heavy duty chassis   | Gasolina | 4WD | 3778 | 146 | 199 | 04.07-      | ■ |
| 3.8 RWD (EGT) | not heavy duty chas. | Gasolina | RWD | 3778 | 146 | 199 | 10.07-09.10 | ■ |
| 3.8           | not heavy duty chas. | Gasolina | 4WD | 3778 | 151 | 205 | 06.06-      | ■ |
| 3.8 (EGT)     | not heavy duty chas. | Gasolina | 4WD | 3778 | 153 | 208 | 04.07-12.11 | ■ |
| 3.8 RWD (EGT) | not heavy duty chas. | Gasolina | RWD | 3778 | 153 | 208 | 04.07-12.10 | ■ |
| 2.8 CRD (ENS) | heavy duty chassis   | Diesel   | 4WD | 2776 | 147 | 200 | 11.10-      | ■ |
| 2.8 CRD (ENS) |                      | Diesel   | 4WD | 2777 | 120 | 163 | 07.10-      | ■ |
| 2.8 CRD (ENS) | heavy duty chassis   | Diesel   | 4WD | 2777 | 130 | 177 | 04.07-      | ■ |