

LISTA DE APLICACIONES - BUYERS GUIDE

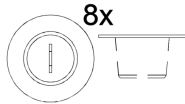
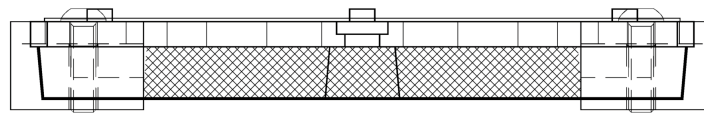
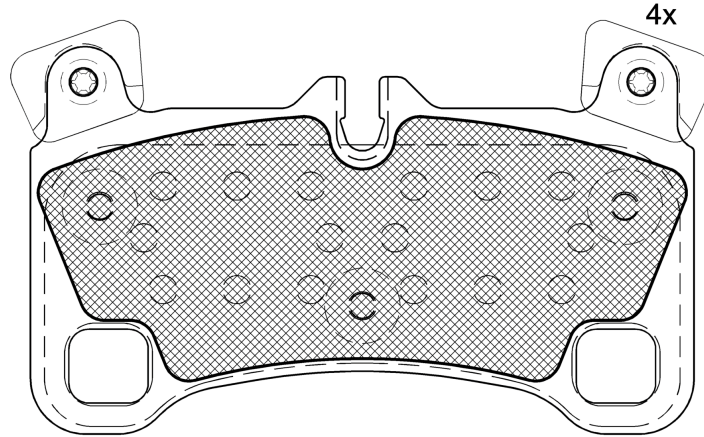
181922



Qty: 300

Weight: 2.243

O.E.M.	MAKE
7L0 698 451 C	VW
7L0 698 451 D	VW
7L0 698 451 E	VW
7L0 698 451 F	VW
955 352 939 60	PORSCHE
955 352 939 61	PORSCHE
955 352 939 62	PORSCHE
955 352 939 63	PORSCHE
955 352 939 64	PORSCHE



Ref. 690221

181922

E 9 90R-01111/2660



Brembo

132.1x71.1x16

WVA	FMSI
24296	D1350-8460
24614	
MAKE	
AUDI	
PORSCHE	
VW	



Trac.	CC	Kw	CV
-------	----	----	----



Front / Rear

AUDI

Q7 (4LB) 03.06-01.16						SUV Van (Luxury Crossover SUV-J Segment)					
3.0 TFSI quattro	discØ 358, PR 1KD	Gasolina	4WD	2995	245	333	05.10-08.15				■
3.6 FSI quattro	PR 1KD	Gasolina	4WD	3597	206	280	08.06-05.10				■
4.2 FSI quattro	PR 1KD	Gasolina	4WD	4163	257	350	08.06-05.10				■
3.0 TDI quattro	PR 1KD	Diesel	4WD	2967	150	204	11.10-08.15				■
3.0 TDI quattro	01/07-, PR 1KD	Diesel	4WD	2967	155	211	03.06-05.10				■
3.0 TDI quattro		Diesel	4WD	2967	171	232	03.06-05.08				■
3.0 TDI quattro	PR 1KD	Diesel	4WD	2967	176	240	11.07-05.12				■
3.0 TDI quattro	discØ 358, PR 1KD	Diesel	4WD	2967	180	245	05.11-08.15				■
4.2 TDI quattro		Diesel	4WD	4134	240	326	03.07-06.09				■
4.2 TDI quattro	discØ 358, PR 1KD	Diesel	4WD	4134	250	340	03.07-08.15				■
6.0 TDI quattro	PR 1KD	Diesel	4WD	5934	368	500	09.08-05.14				■

Q7 (4LB) 03.06-01.16						SUV (Luxury Crossover SUV-J Segment)					
3.0 TFSI quattro (CJTC)	discØ 358, PR 1KD	Gasolina	4WD	2995	200	272	05.10-08.15				■
3.0 TFSI quattro (CJWC)	discØ 358, PR 1KD	Gasolina	4WD	2995	200	272	05.10-08.15				■
3.0 TFSI quattro (CJWE)	discØ 358, PR 1KD	Gasolina	4WD	2995	206	280	05.11-08.15				■
3.0 TFSI quattro (CTWB)	discØ 358, PR 1KD	Gasolina	4WD	2995	206	280	05.11-08.15				■
3.0 TFSI quattro (CJTb)	discØ 358, PR 1KD	Gasolina	4WD	2995	245	333	05.10-08.15				■
3.0 TFSI quattro (CJWB)	discØ 358, PR 1KD	Gasolina	4WD	2995	245	333	05.10-08.15				■
3.0 TFSI quattro (CNAA)	discØ 358, PR 1KD	Gasolina	4WD	2995	245	333	05.10-08.15				■
3.0 TFSI quattro (CTWA)	discØ 358, PR 1KD	Gasolina	4WD	2995	245	333	05.10-08.15				■
3.6 FSI quattro (BHK)		Gasolina	4WD	3597	206	280	08.06-05.10				■
4.2 quattro (BAR)		Gasolina	4WD	4163	231	314	03.06-12.10				■

LISTA DE APLICACIONES - BUYERS GUIDE

4.2 FSI quattro (BAR)		Gasolina	4WD	4163	257	350	03.06-05.10	■
3.0 TDI quattro (CJGC)		Diesel	4WD	2967	150	204	05.10-08.15	■
3.0 TDI quattro (CJMA)		Diesel	4WD	2967	150	204	05.10-08.15	■
3.0 TDI quattro (BUN)	01/07-	Diesel	4WD	2967	155	211	03.06-05.10	■
3.0 TDI quattro (CASB)	01/07-	Diesel	4WD	2967	155	211	03.06-05.10	■
3.0 TDI quattro (CATA)	discØ 358, PR 1KD	Diesel	4WD	2967	165	224	06.09-05.12	■
3.0 TDI quattro (BUG)		Diesel	4WD	2967	171	233	03.06-05.08	■
3.0 TDI quattro (CASA)		Diesel	4WD	2967	176	240	11.07-08.15	■
3.0 TDI quattro (CCMA)		Diesel	4WD	2967	176	240	11.07-08.15	■
3.0 TDI quattro (CJGA)		Diesel	4WD	2967	176	240	11.07-08.15	■
3.0 TDI quattro (CNRB)		Diesel	4WD	2967	176	240	11.07-08.15	■
3.0 TDI quattro (CJGD)	discØ 358, PR 1KD	Diesel	4WD	2967	180	245	05.11-08.15	■
3.0 TDI quattro (CLZB)	discØ 358, PR 1KD	Diesel	4WD	2967	180	245	05.11-08.15	■
3.0 TDI quattro (CRCA)	discØ 358, PR 1KD	Diesel	4WD	2967	180	245	05.11-08.15	■
4.2 TDI quattro (BTR)		Diesel	4WD	4134	240	326	03.07-06.09	■
4.2 TDI quattro (CCFA)	discØ 358, PR 1KD	Diesel	4WD	4134	250	340	05.09-08.15	■
4.2 TDI quattro (CCFC)	discØ 358, PR 1KD	Diesel	4WD	4134	250	340	05.09-08.15	■
6.0 TDI quattro (CCGA)		Diesel	4WD	5934	368	500	09.08-05.14	■

PORSCHE

CAYENNE I (9PA) 05.02-12.10				SUV (Luxury Crossover SUV-J Segment)				
3.2 (M02.2Y)	Eq.V_ 18"plus, 01/07-, discØ 358	Gasolina	4WD	3189	184	250	10.03-09.07	■
3.6 (M 55.01)	Eq.V_ 18"plus, discØ 358	Gasolina	4WD	3598	213	290	02.07-09.10	■
S 4.5 (M 48.00)	Eq.V_ 18"plus, 01/07-, discØ 358	Gasolina	4WD	4511	250	340	09.02-09.07	■
Turbo 4.5 (M 48.50)	Eq.V_ 18"plus, 01/07-, discØ 358	Gasolina	4WD	4511	331	450	09.02-09.07	■
Turbo S 4.5 (M 48.50S)	Eq.V_ 18"plus, 01/07-, discØ 358	Gasolina	4WD	4511	368	500	01.04-09.07	■
Turbo S 4.5 (M 48.50T)	Eq.V_ 18"plus, 01/07-, discØ 358	Gasolina	4WD	4511	383	521	05.02-05.06	■
S 4.8 (M 48.01)	Eq.V_ 18"plus, discØ 358	Gasolina	4WD	4806	283	385	02.07-09.10	■
GTS 4.8 (M 48.01)		Gasolina	4WD	4806	298	405	10.07-09.10	■
Turbo S 4.8 (M 48.51)	Eq.V_ 18"plus, discØ 358	Gasolina	4WD	4806	368	500	02.07-09.10	■
Turbo S 4.8 (M 48.51)	Eq.V_ 18"plus, discØ 358	Gasolina	4WD	4806	397	540	02.07-09.10	■
Turbo S 4.8 (M 48.51)	Eq.V_ 18"plus, discØ 358	Gasolina	4WD	4806	404	550	08.08-09.10	■
3.0 TDI (M 05.9D)	Eq.V_ 18"plus, discØ 358	Diesel	4WD	2967	176	240	02.09-09.10	■

VW

TOUAREG (7LA, 7L6, 7L7) 10.02-12.13				SUV (Luxury Crossover SUV-J Segment)				
3.2 V6 (AZZ)	discØ 358, PR 1KD, PR 2ED	Gasolina	4WD	3189	162	220	10.02-11.06	■
3.2 V6 (BAA)	discØ 358, PR 1KD, PR 2ED	Gasolina	4WD	3189	162	220	10.02-11.06	■
3.2 V6 (BKJ)	discØ 358, PR 1KD, PR 2ED	Gasolina	4WD	3189	162	220	10.02-11.06	■
3.2 V6 (BMV)	discØ 358, PR 1KD, PR 2ED	Gasolina	4WD	3189	162	220	10.02-11.06	■
3.2 V6 (BMX)	discØ 358, PR 1KD, PR 2ED	Gasolina	4WD	3189	162	220	10.02-11.06	■
3.2 V6 (BRJ)	discØ 358, PR 1KD, PR 2ED	Gasolina	4WD	3189	162	220	10.02-11.06	■
3.2 V6 (BMV)	discØ 358, PR 1KD, PR 2ED	Gasolina	4WD	3189	177	241	11.04-11.06	■
3.6 V6 FSI (BHK)	01/07-, discØ 358, PR 1KD, PR 2ED	Gasolina	4WD	3597	206	280	10.05-05.10	■
3.6 V6 FSI (BHL)	01/07-, discØ 358, PR 1KD, PR 2ED	Gasolina	4WD	3597	206	280	10.05-05.10	■
4.2 V8 FSI (BAR)	01/07-, discØ 358, PR 1KD, PR 2ED	Gasolina	4WD	4163	257	350	06.06-05.10	■
4.2 V8 (AXQ)	discØ 358, PR 1KD, PR 2ED	Gasolina	4WD	4172	228	310	12.02-11.06	■
6.0 W12 (BJN)	01/07-, discØ 358, PR 1KD, PR 2ED	Gasolina	4WD	5998	331	450	08.04-05.10	■

LISTA DE APLICACIONES - BUYERS GUIDE

6.0 W12 (CFRA)	01/07-, discØ 358, PR 1KD, PR 2ED	Gasolina	4WD	5998	331	450	08.04-05.10	■
2.5 R5 TDI (BLK)	01/07-	Diesel	4WD	2461	120	163	08.03-05.10	■
2.5 R5 TDI (BPD)	01/07-	Diesel	4WD	2461	120	163	08.03-05.10	■
2.5 R5 TDI (BAC)	01/07-	Diesel	4WD	2461	128	174	01.03-05.10	■
2.5 R5 TDI (BPE)	01/07-	Diesel	4WD	2461	128	174	01.03-05.10	■
3.0 TDI (BUN)	01/07-	Diesel	4WD	2967	155	211	04.06-05.10	■
3.0 TDI (CASB)	01/07-	Diesel	4WD	2967	155	211	04.06-05.10	■
3.0 V6 TDI (BKS)	01/07-, discØ 358, PR 1KD, PR 2ED	Diesel	4WD	2967	165	225	11.04-05.10	■
3.0 V6 TDI (CATA)	01/07-, discØ 358, PR 1KD, PR 2ED	Diesel	4WD	2967	165	225	11.04-05.10	■
3.0 V6 TDI (CASA)	discØ 358, PR 1KD, PR 2ED	Diesel	4WD	2967	176	240	11.07-05.10	■
3.0 V6 TDI (CASC)	discØ 358, PR 1KD, PR 2ED	Diesel	4WD	2967	176	240	11.07-05.10	■
5.0 V10 TDI (AYH)	01/07-, discØ 358, PR 1KD, PR 2ED	Diesel	4WD	4921	230	313	10.02-05.10	■
5.0 V10 TDI (BKW)	01/07-, discØ 358, PR 1KD, PR 2ED	Diesel	4WD	4921	230	313	10.02-05.10	■
5.0 V10 TDI (BLE)	01/07-, discØ 358, PR 1KD, PR 2ED	Diesel	4WD	4921	230	313	10.02-05.10	■
5.0 V10 TDI (BWF)	01/07-, discØ 358, PR 1KD, PR 2ED	Diesel	4WD	4921	230	313	10.02-05.10	■
5.0 R50 TDI (CBWA)	discØ 358, PR 1KD, PR 2ED	Diesel	4WD	4921	257	350	08.07-05.10	■