

LISTA DE APLICACIONES - BUYERS GUIDE

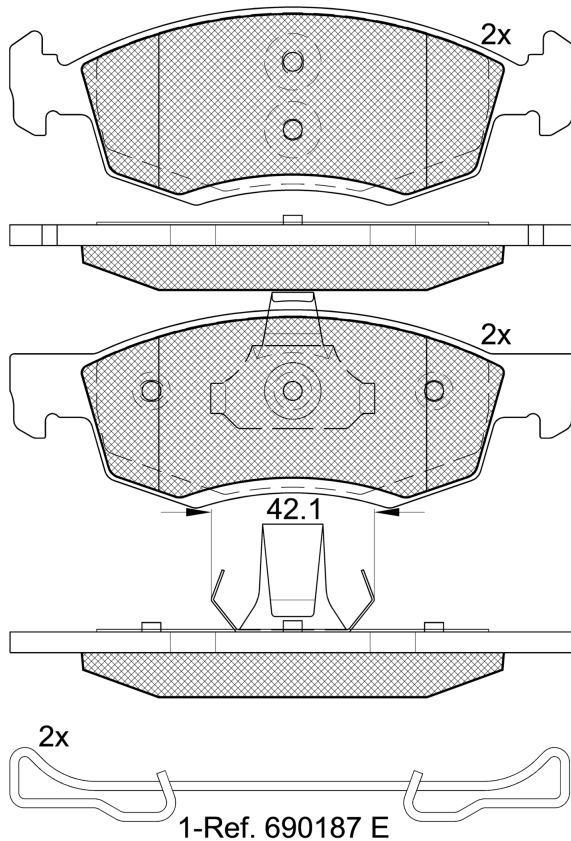
181924



Qty: 300

Weight: 1.561

O.E.M.	MAKE
41 06 000 Q0C	DACIA
60 01 549 803	DACIA
86 60 004 731	RENAULT
86 71 016 701	DACIA



181924



E 9 90R-01111/2654

Ate - Teves

150.2x52.6x18

WVA
24673
24674

MAKE

DACIA
IKCO
LADA
MAHINDRA
MAHINDRA RENAULT
NISSAN
RENAULT



Trac.	CC	Kw	CV
-------	----	----	----



Front / Rear

DACIA

LOGAN (US_) 03.08-

Pickup (Compact car-C Segment)

Engine/Model	ABS	Fuel	Trac.	CC	Kw	CV	Period	Icon
1.4 (K7J 710)	vehicles with ABS	Gasolina	FWD	1390	55	75	01.09-	■
1.6 MPI 85 (K7M 800)		Gasolina	FWD	1598	62	84	05.10-	■
1.6 (K7M 710)	-11/08, vehicles with ABS	Gasolina	FWD	1598	64	87	03.08-	■
1.6 16V (US1Y) (K4M 690)		Gasolina	FWD	1598	77	105	01.10-08.13	■
1.6 BiFuel (K7M 800)		Gasol./Gas (LPG)	FWD	1598	62	84	05.10-	■
1.5 dCi (US00, US0J, US0Y) (K9K 794)		Diesel	FWD	1461	48	65	04.08-12.12	■
1.5 dCi (US0K) (K9K 792)	-11/08, vehicles with ABS	Diesel	FWD	1461	50	68	03.08-	■
1.5 dCi (K9K 892)	vehicles without ABS	Diesel	FWD	1461	55	75	05.10-	■
1.5 dCi (US0W) (K9K 796)	-11/08, vehicles with ABS	Diesel	FWD	1461	63	86	03.08-	■
1.5 dCi (K9K 892)	vehicles without ABS	Diesel	FWD	1461	65	88	05.10-	■

LOGAN (LS_) 08.04-

Saloon (Compact car-C Segment)

Engine/Model	ABS	Fuel	Trac.	CC	Kw	CV	Period	Icon
1.4 (LS0A, LS0C, LS0E, LS0G) (K7J 710)	01/07-	Gasolina	FWD	1390	55	75	09.04-	■
1.6 MPI 85 (K7M 800)	discØ 260	Gasolina	FWD	1598	62	84	05.10-	■
1.6 (LS0B, LS0D, LS0F, LS0H) (K7M 710)	01/07-	Gasolina	FWD	1598	64	87	09.04-	■
1.6 16V (LS09, LS0L, LS0M, LS0P, LS0V, LS18, LS1S, LS1V,...) (K4M 690)	01/07-	Gasolina	FWD	1598	77	105	02.06-	■
1.6 16V (LS09, LS0L, LS0M, LS0P, LS0V, LS18, LS1S, LS1V,...) (K4M 694)	01/07-	Gasolina	FWD	1598	77	105	02.06-	■
1.6 16V (LS09, LS0L, LS0M, LS0P, LS0V, LS18, LS1S, LS1V,...) (K4M 696)	01/07-	Gasolina	FWD	1598	77	105	02.06-	■
1.6 16V (LS09, LS0L, LS0M, LS0P, LS0V, LS18, LS1S, LS1V,...) (K4M 697)	01/07-	Gasolina	FWD	1598	77	105	02.06-	■
1.6 16V (LS09, LS0L, LS0M, LS0P, LS0V, LS18, LS1S, LS1V,...) (K4M 698)	01/07-	Gasolina	FWD	1598	77	105	02.06-	■
1.6 BiFuel (K7M 718)	discØ 260	Gasol./Gas (LPG)	FWD	1598	62	84	05.10-	■

LISTA DE APLICACIONES - BUYERS GUIDE

1.5 dCi (LS0J, LS0Y) (K9K 790)	01/07-	Diesel	FWD	1461	48	65	09.05-	■	
1.5 dCi (LS0K) (K9K 792)	01/07-	Diesel	FWD	1461	50	68	01.06-12.12	■	
1.5 dCi (LS04) (K9K 892)	discØ 260	Diesel	FWD	1461	55	75	05.10-12.12	■	
1.5 dCi (LS0W) (K9K 796)		Diesel	FWD	1461	63	86	09.07-12.11	■	
1.5 dCi (LS04) (K9K 892)	discØ 260	Diesel	FWD	1461	65	88	05.10-	■	
LOGAN EXPRESS (FS_) 10.07-							Estate Van (Compact car-C Segment)		
1.4 (K7J 710)		Gasolina	FWD	1390	55	75	03.09-	■	
1.6 MPI 85 (K7M 800)		Gasolina	FWD	1598	62	84	05.10-	■	
1.6 (K7M 710)		Gasolina	FWD	1598	64	87	03.09-	■	
1.6 LPG (K7M 818)		Gasol./Gas (LPG)	FWD	1598	62	84	05.10-12.12	■	
1.5 dCi (FS0Y, FS00, FS0J)		Diesel	FWD	1461	48	65	10.07-12.12	■	
1.5 dCi (FS0K) (K9K 792)		Diesel	FWD	1461	50	68	03.09-	■	
1.5 dCi (K9K 892)	vehicles without ABS	Diesel	FWD	1461	55	75	05.10-	■	
1.5 dCi (FS0W) (K9K 796)		Diesel	FWD	1461	63	86	03.09-	■	
1.5 dCi (K9K 892)	vehicles without ABS	Diesel	FWD	1461	65	88	05.10-	■	
LOGAN MCV (KS_) 02.07-							Estate (Compact car-C Segment)		
1.4 (K7J 710)	vehicles with ABS	Gasolina	FWD	1390	55	75	02.07-	■	
1.6 MPI 85 (K7M 800)	vehicles with ABS	Gasolina	FWD	1598	62	84	05.10-	■	
1.6 (KS0B, KS0D, KS0F) (K7M 710)	vehicles with ABS	Gasolina	FWD	1598	64	87	02.07-06.13	■	
1.6 16V (KS0L, KS0M, KS0P, KS1S) (K4M 690)	-11/08, vehicles with ABS	Gasolina	FWD	1598	77	105	02.07-	■	
1.6 16V (KS0L, KS0M, KS0P, KS1S) (K4M 696)	-11/08, vehicles with ABS	Gasolina	FWD	1598	77	105	02.07-	■	
1.6 16V (KS0L, KS0M, KS0P, KS1S) (K4M 697)	-11/08, vehicles with ABS	Gasolina	FWD	1598	77	105	02.07-	■	
1.6 BiFuel (K7M 718)		Gasol./Gas (LPG)	FWD	1598	62	84	05.10-	■	
1.6 BiFuel (K7M 710)	vehicles with ABS	Gasol./Gas (LPG)	FWD	1598	64	87	11.08-	■	
1.6 16V Hi-Flex (K4M 690)		Gasol./Etanol	FWD	1598	77	105	11.09-	■	
1.5 dCi (KS0K) (K9K 792)	-11/08, vehicles with ABS	Diesel	FWD	1461	50	68	02.07-	■	
1.5 dCi (KS04) (K9K 892)	vehicles without ABS	Diesel	FWD	1461	55	75	05.10-06.13	■	
1.5 dCi (KS0W) (K9K 796)	-11/08, vehicles with ABS	Diesel	FWD	1461	63	86	09.07-12.12	■	
1.5 dCi (KS04) (K9K 892)	vehicles without ABS	Diesel	FWD	1461	65	88	05.10-	■	
SANDERO (BS_) 06.08-							Hatchback (Compact car-C Segment)		
1.5 dCi (K9K 892)	vehicles without ABS	Diesel	FWD	1461	65	88	05.10-06.13	■	
IKCO									
RENAULT TONDAR 90 (LSDAM) 11.04-							Saloon ()		
1.6 (K4M)	vehicles with ABS	Gasolina	FWD	1598	77	105	04.08-	■	
1.6 CNG	vehicles with ABS	CNG	FWD	1598	77	105	11.04-03.10	■	
LADA									
LARGUS (KS0_, RS0_, KSA_) 03.12-							Estate Van (Compact car-C Segment)		
1.6 (KS0Y5, RS0Y5) (K7M)	vehicles with ABS	Gasolina	FWD	1598	62	84	03.12-	■	
1.6 (KS0Y5, RS0Y5) (K4M)	vehicles with ABS	Gasolina	FWD	1598	77	105	03.12-	■	
LARGUS (FS0_, FSA_) 03.12-							Van (LCVs-N1 Segment)		
1.6 (FS015) (K7M)	vehicles with ABS	Gasolina	FWD	1598	62	84	03.12-	■	
1.6 (FS0Y5) (K4M)	vehicles with ABS	Gasolina	FWD	1598	77	105	03.12-	■	
MAHINDRA									
VERITO 01.11-							Saloon (Compact car-C Segment)		
1.4	vehicles with ABS	Gasolina	FWD	1390	56	76	01.11-	■	

LISTA DE APLICACIONES - BUYERS GUIDE

1.5 dCi	vehicles with ABS	Diesel	RWD	1461	48	66	01.11-	■	
VERITO VIBE 06.13-					Saloon (Compact car-C Segment)				
1.5 dCi	vehicles with ABS	Diesel	RWD	1461	48	66	06.13-	■	
MAHINDRA RENAULT									
LOGAN 04.07-					Saloon (Compact car-C Segment)				
1.4	vehicles with ABS	Gasolina	FWD	1390	55	75	04.07-	■	
1.4 CNG	vehicles with ABS	Gasolina	FWD	1390	55	75	12.10-	■	
1.6 CNG	vehicles with ABS	Gasolina	FWD	1598	63	86	04.07-	■	
1.6 CNG	vehicles with ABS	Gasolina	FWD	1598	63	86	04.07-	■	
1.5 D	vehicles with ABS	Diesel	RWD	1461	48	65	04.07-	■	
VERITO 03.11-					Saloon (Compact car-C Segment)				
1.4	vehicles with ABS	Gasolina	FWD	1390	56	76	03.11-	■	
1.5 D	vehicles with ABS	Diesel	RWD	1461	48	65	03.11-	■	
NISSAN									
APRIO 07.08-					Saloon (Compact car-C Segment)				
1.6		Gasolina	FWD	1598	64	87	10.09-	■	
1.6		Gasolina	FWD	1598	76	103	07.08-	■	
NP200 10.08-					Pickup (Pick-Up Truck)				
1.6	vehicles with ABS	Gasolina	FWD	1598	64	87	10.08-	■	
1.6	vehicles with ABS	Gasolina	FWD	1598	77	105	10.08-	■	
1.5 dCi	vehicles with ABS	Diesel	RWD	1461	63	86	10.08-	■	
RENAULT									
LOGAN / TONDAR 90 (KS_) 04.07-					Estate (Compact car-C Segment)				
1.4 (K7J 710)		Gasolina	FWD	1390	55	75	10.07-	■	
1.6 (K7M 710)		Gasolina	FWD	1598	64	87	04.07-	■	
1.6 (KS0L, KS0M, KS0P, KS1S) (K4M 690)		Gasolina	FWD	1598	77	105	04.07-	■	
1.6 (KS0L, KS0M, KS0P, KS1S) (K4M 696)		Gasolina	FWD	1598	77	105	04.07-	■	
1.6 (KS0L, KS0M, KS0P, KS1S) (K4M 697)		Gasolina	FWD	1598	77	105	04.07-	■	
1.5 dCi	vehicles with ABS	Diesel	FWD	1461	48	65	06.11-	■	
1.5 dCi (K9K 792)		Diesel	FWD	1461	50	68	04.07-	■	
1.5 dCi (K9K 796)	vehicles with ABS	Diesel	FWD	1461	63	86	02.08-06.15	■	
1.5 dCi (KS04, KS1L)	vehicles with ABS	Diesel	FWD	1461	66	90	06.11-06.15	■	
LOGAN / TONDAR 90 (LS_) 09.04-					Saloon (Compact car-C Segment)				
1.0 Hi-Flex		Gasolina	FWD	998	56	76	07.07-	■	
1.4 (K7J 710)		Gasolina	FWD	1390	55	75	09.04-	■	
1.6 (K7M 710)		Gasolina	FWD	1598	64	87	09.04-	■	
1.6		Gasolina	FWD	1598	66	90	05.08-	■	
1.6 Flex		Gasolina	FWD	1598	68	92	11.07-	■	
1.6 Flex	vehicles with ABS	Gasolina	FWD	1598	70	95	11.07-08.12	■	
1.6	vehicles with ABS	Gasolina	FWD	1598	74	101	09.14-	■	
1.6 (LS0L, LS09, LS0V, LS0P, LS18, LS1S, LS1V, LS1Y,...) (K4M 690)		Gasolina	FWD	1598	77	105	04.07-10.13	■	
1.6 (LS0L, LS09, LS0V, LS0P, LS18, LS1S, LS1V, LS1Y,...) (K4M 694)		Gasolina	FWD	1598	77	105	04.07-10.13	■	
1.6 (LS0L, LS09, LS0V, LS0P, LS18, LS1S, LS1V, LS1Y,...) (K4M 696)		Gasolina	FWD	1598	77	105	04.07-10.13	■	
1.6 (LS0L, LS09, LS0V, LS0P, LS18, LS1S, LS1V, LS1Y,...) (K4M 697)		Gasolina	FWD	1598	77	105	04.07-10.13	■	
1.6 (LS0L, LS09, LS0V, LS0P, LS18, LS1S, LS1V, LS1Y,...) (K4M 698)		Gasolina	FWD	1598	77	105	04.07-10.13	■	
1.6 Flex		Gasolina	FWD	1598	79	107	07.07-03.10	■	

LISTA DE APLICACIONES - BUYERS GUIDE

1.6		Gasolina	FWD	1598	80	109	02.07-	■
1.6		Gasolina	FWD	1598	82	112	04.07-	■
1.6 Flex	vehicles with ABS	Gasolina	FWD	1598	82	112	07.07-	■
1.5 dCi (K9K 700)	vehicles with ABS	Diesel	FWD	1461	48	65	04.06-10.13	■
1.5 dCi (K9K 790)	vehicles with ABS	Diesel	FWD	1461	48	65	04.06-10.13	■
1.5 dCi (K9K 794)	vehicles with ABS	Diesel	FWD	1461	48	65	04.06-10.13	■
1.5 dCi (K9K 792)		Diesel	FWD	1461	50	68	04.07-	■
1.5 dCi (K9K 796)		Diesel	FWD	1461	63	86	02.08-06.15	■
LOGAN EXPRESS / TONDAR (US_) 04.07-						Estate Van (Compact car-C Segment)		
1.6 (K7M 710)		Gasolina	FWD	1598	64	87	04.07-	■
1.5 dCi (K9K 792)		Diesel	FWD	1461	50	68	04.07-	■