

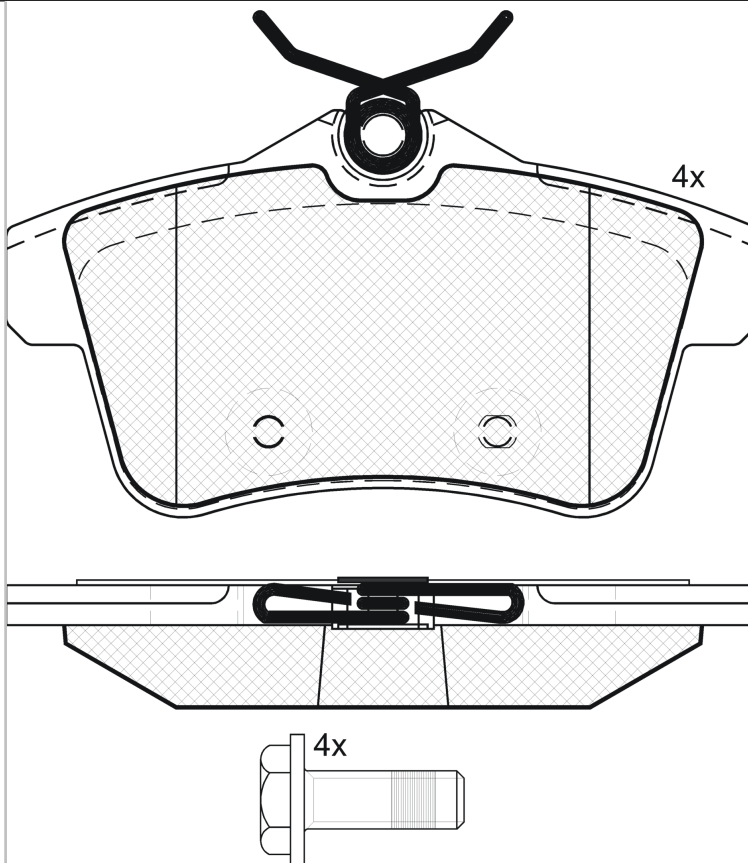
LISTA DE APLICACIONES - BUYERS GUIDE

181928



Qty: 944

Weight: 1.155



1-Ref. 690064

181928

E 9 90R-01110/2641



Trw

103.8x56x17.5

WVA
24922

FMSI
D1831-9062

MAKE

CITROËN

DS

DS (CAPSA)

PEUGEOT



Trac.	CC	Kw	CV
-------	----	----	----



Front / Rear

CITROËN

						Hatchback Van (Compact car-C Segment)				
C4 II (NC_) 11.09-										
1.6 HDi (9HP (DV6DTE))		Diesel	FWD	1560	68	92	06.10-		■	
1.6 BlueHDi (BHY (DV6FD))		Diesel	FWD	1560	73	99	07.14-		■	
1.6 HDi (9HR (DV6C))		Diesel	FWD	1560	82	111	11.09-		■	
1.6 BlueHDi (BHZ (DV6FC))		Diesel	FWD	1560	88	120	02.15-		■	
C4 II (NC_) 02.09-										
						Hatchback (Compact car-C Segment)				
1.2 THP 110 (NCHNZ6, NCHNV6) (HNZ (EB2DT))		Gasolina	FWD	1199	81	110	02.15-12.17		■	
1.2 THP 130 (NCHNYM, NCHNYT) (HNY (EB2DTS))		Gasolina	FWD	1199	96	130	04.14-12.17		■	
1.4 VTi 95 (NC8FP0) (8FP (EP3C))	elec.brake detention	Gasolina	FWD	1397	70	95	11.09-11.15		■	
1.6 (NCNFU0)	Rim 19, discØ 268, discØ 290	Gasolina	FWD	1587	81	110	01.10-		■	
1.6 Flex		Gasolina	FWD	1587	81	110	11.09-		■	
1.6 Flex		Gasolina	FWD	1587	83	113	11.09-		■	
1.6 VTi 120 (NC5FS0, NC5FS9) (5FS (EP6C))	elec.brake detention	Gasolina	FWD	1598	88	120	11.09-12.16		■	
1.6 THP 155 (5FV (EP6CDT))	elec.brake detention	Gasolina	FWD	1598	115	156	11.09-12.16		■	
2.0 Flex		Gasolina	FWD	1997	103	140	11.09-		■	
2.0 Flex		Gasolina	FWD	1997	111	151	11.09-		■	
1.6 VTi 120 LPG (NC5FS0) (5FS (EP6C))	elec.brake detention	Gasol./Gas (LPG)	FWD	1598	88	120	09.11-		■	
1.6 HDi 90 (9HJ (DV6DTE))	elec.brake detention	Diesel	FWD	1560	68	92	11.09-		■	
1.6 HDi 90 (9HP (DV6DTE))	elec.brake detention	Diesel	FWD	1560	68	92	11.09-		■	
1.6 BlueHDi 100 (BHY (DV6FD))		Diesel	FWD	1560	73	99	07.14-05.18		■	
1.6 HDi 110 (9HR (DV6C))	elec.brake detention	Diesel	FWD	1560	82	112	11.09-		■	
1.6 HDi 115 (9HD (DV6C))	elec.brake detention	Diesel	FWD	1560	84	114	07.12-		■	

LISTA DE APLICACIONES - BUYERS GUIDE

1.6 BlueHDi 115 (BHX (DV6FC))		Diesel	FWD	1560	85	115	01.13-05.15	■	
1.6 BlueHDi 120 (BHZ (DV6FC))		Diesel	FWD	1560	88	120	02.15-05.18	■	
2.0 HDi / BlueHDi 150 (AHR (DW10FD))	elec.brake detention	Diesel	FWD	1997	110	150	11.09-	■	
2.0 HDi / BlueHDi 150 (RHE (DW10CTED4))	elec.brake detention	Diesel	FWD	1997	110	150	11.09-	■	
2.0 HDi / BlueHDi 160 (RHH (DW10CTED4))		Diesel	FWD	1997	120	163	10.10-	■	
C4 II (NC_) 01.13-					Saloon (Compact car-C Segment)				
1.6 (NFP (EC5))		Gasolina	FWD	1587	85	116	01.13-	■	
1.6 (5FS (EP6C))		Gasolina	FWD	1598	88	120	01.13-	■	
1.6 Flex		Gasolina	FWD	1598	127	173	12.14-	■	
2.0 16V	elec.brake detention	Gasolina	FWD	1997	105	143	09.13-	■	
2.0 Flex		Gasolina	FWD	1997	111	151	08.13-	■	
C4 II PICASSO (DD_) 01.13-					Box Body/MPV (Compact MPV-M1 Segment)				
e-HDi (DD9HC8, DD9HCT)		Diesel	FWD	1560	85	116	02.13-	■	
C4 III (BA_, BB_, BC_) 10.20-					Hatchback (Compact car-C Segment)				
1.2 PureTech 130 (BAHNSA, BAHNSB)		Gasolina	FWD	1199	96	131	10.20-	■	
DS4 (NX_) 03.11-07.15					Hatchback (Compact car-C Segment)				
1.2 THP 130 (HNY (EB2DTS))		Gasolina	FWD	1199	96	130	07.14-07.15	■	
1.6 VTI 120 (5FS (EP6C))	elec.brake detention	Gasolina	FWD	1598	88	120	04.11-07.15	■	
1.6 THP 150 (5FE (EP6CDTMD))		Gasolina	FWD	1598	110	150	04.11-07.15	■	
1.6 THP 155 (5FV (EP6CDT))	elec.brake detention	Gasolina	FWD	1598	115	156	04.11-07.15	■	
1.6 THP160 (5FM (EP6CDTM))	elec.brake detention	Gasolina	FWD	1598	120	163	04.12-07.15	■	
1.6 THP 165 (5FM (EP6CDTM))		Gasolina	FWD	1598	121	165	01.12-07.15	■	
1.6 THP 165 (5GZ (EP6FDT))		Gasolina	FWD	1598	121	165	01.12-07.15	■	
1.6 THP200 (5FU (EP6DTX))	elec.brake detention	Gasolina	FWD	1598	147	200	04.11-07.15	■	
1.6 HDi 110	elec.brake detention	Diesel/el éc.	FWD	1560	81	110	04.11-07.15	■	
1.6 HDi 90 (9HP (DV6DTED))	elec.brake detention	Diesel	FWD	1560	68	92	05.11-07.15	■	
1.6 HDi 110 (9HR (DV6C))	elec.brake detention	Diesel	FWD	1560	82	112	04.11-07.15	■	
1.6 HDi 115 (9HD (DV6C))	elec.brake detention	Diesel	FWD	1560	84	114	08.12-07.15	■	
1.6 BlueHDi 115 (BHX (DV6FC))		Diesel	FWD	1560	85	115	07.14-07.15	■	
1.6 BlueHDi 120 (BHZ (DV6FC))		Diesel	FWD	1560	88	120	07.14-07.15	■	
2.0 HDi / BlueHDi 135 (AHS (DW10FD))	elec.brake detention	Diesel	FWD	1997	100	136	09.11-07.15	■	
2.0 HDi / BlueHDi 135 (AHV (DW10FD))	elec.brake detention	Diesel	FWD	1997	100	136	09.11-07.15	■	
2.0 HDi / BlueHDi 135 (RHD (DW10CB))	elec.brake detention	Diesel	FWD	1997	100	136	09.11-07.15	■	
2.0 HDi / BlueHDi 135 (RHD (DW10CTED4))	elec.brake detention	Diesel	FWD	1997	100	136	09.11-07.15	■	
2.0 BlueHDi 150 (AHX (DW10FD))		Diesel	FWD	1997	110	150	07.14-07.15	■	
2.0 HDi 165 (RHH (DW10CTED4))	elec.brake detention	Diesel	FWD	1997	120	163	04.11-07.15	■	
2.0 BlueHDi 180 (AHW (DW10FC))		Diesel	FWD	1997	133	180	07.14-07.15	■	
DS5 09.11-12.16					Hatchback (Compact executive car-D Segment)				
1.6 THP 150 (5FE (EP6CDTMD))		Gasolina	FWD	1598	110	150	11.11-07.15	■	
1.6 THP 155 (5FV (EP6CDT))	Syst. Diam.Cubo 82	Gasolina	FWD	1598	115	156	11.11-07.15	■	
1.6 THP 165 (5FM (EP6CDTM))		Gasolina	FWD	1598	121	165	01.12-07.15	■	
1.6 THP 165 (5FM (EP6DT))		Gasolina	FWD	1598	121	165	01.12-07.15	■	
1.6 THP 165 (5GZ (EP6FDT))		Gasolina	FWD	1598	121	165	01.12-07.15	■	
1.6 THP200 (5FU (EP6DTX))	Syst. Diam.Cubo 82	Gasolina	FWD	1598	147	200	11.11-07.15	■	
1.6 THP 165 Hybrid (5GZ (EP6FDT))		Gasol./el éc.	FWD	1598	121	165	06.12-07.15	■	
2.0 HDi 135 Hybrid4		Gasol./el éc.	4WD	1997	100	136	12.11-	■	
2.0 HDi 165 Hybrid4 4x4 (RHC (DW10CTED4))	Syst. Diam.Cubo 82	Diesel/el éc.	4WD	1997	120	163	12.11-07.15	■	

LISTA DE APLICACIONES - BUYERS GUIDE

2.0 HDi 200 Hybrid4 A las 4 ruedas		Diesel/el éc.	4WD	1997	147	200	12.11-07.15	■
1.6 HDi 110 (9HR (DV6C))	Syst. Diam.Cubo 82	Diesel	FWD	1560	82	112	11.11-07.15	■
1.6 HDi 115 (9HD (DV6C))	discØ 268	Diesel	FWD	1560	84	114	06.12-07.15	■
1.6 HDi (BHX (DV6FC))	discØ 268	Diesel	FWD	1560	85	115	11.13-07.15	■
1.6 BlueHDi 120 (BHZ (DV6FC))	discØ 268	Diesel	FWD	1560	88	120	07.14-07.15	■
2.0 HDi 135 (RHD (DW10CB))		Diesel	FWD	1997	100	136	11.11-07.15	■
2.0 BlueHDi 150 (AHX (DW10FD))		Diesel	FWD	1997	110	150	07.14-07.15	■
2.0 HDi 165 (RHH (DW10CTED4))	Syst. Diam.Cubo 82	Diesel	FWD	1997	120	163	11.11-07.15	■
2.0 BlueHDi 180 (AHW (DW10FC))	discØ 290	Diesel	FWD	1997	133	180	08.13-07.15	■
DS								
DS 4 / DS 4 CROSSBACK (NX_) 07.15-					Hatchback (Compact car-C Segment)			
1.2 THP 130 (NXHNYM) (HNY (EB2DTS))		Gasolina	FWD	1199	96	130	07.15-12.18	■
1.6 THP 150 (5FE (EP6CDTMD))		Gasolina	FWD	1598	110	150	10.16-12.18	■
1.6 THP160 (5FM (EP6CDTM))	discØ 268	Gasolina	FWD	1598	120	163	07.15-12.18	■
1.6 THP 165 (5GZ (EP6FDT))		Gasolina	FWD	1598	121	165	07.15-12.18	■
1.6 THP 210 (5GM (EP6FDTX))	elec.brake detention	Gasolina	FWD	1598	155	210	07.15-12.18	■
1.6 BlueHDi 100 (BHY (DV6FD))	elec.brake detention	Diesel	FWD	1560	73	99	04.16-12.18	■
1.6 BlueHDi 115 (BHX (DV6FC))		Diesel	FWD	1560	85	116	07.15-12.18	■
1.6 BlueHDi 120 (BHZ (DV6FC))	elec.brake detention	Diesel	FWD	1560	88	120	07.15-12.18	■
2.0 BlueHDi 150 (AHR (DW10FD))		Diesel	FWD	1997	110	150	07.15-12.18	■
2.0 BlueHDi 180 (AHW (DW10FC))	elec.brake detention	Diesel	FWD	1997	133	180	07.15-12.18	■
DS 5 (KF_) 01.15-12.18					Hatchback (Compact executive car-D Segment)			
1.6 THP 165 (KF5GZT) (5GZ (EP6FDT))		Gasolina	FWD	1598	121	165	07.15-12.18	■
1.6 THP 210 (5GM (EP6FDTX))		Gasolina	FWD	1598	155	210	04.15-12.18	■
2.0 Hybrid4 4x4 (RHC (DW10CTED4))		Diesel/el éc.	4WD	1997	120	163	04.15-12.18	■
Hybrid4 (RHC (DW10CTED4))		Diesel/el éc.	4WD	1997	147	200	04.15-12.18	■
1.6 BlueHDi 115 (BHX (DV6C))		Diesel	FWD	1560	85	116	06.15-12.18	■
1.6 BlueHDi 120 (BHZ (DV6FC))		Diesel	FWD	1560	88	120	06.15-12.18	■
2.0 BlueHDi 135 (AHV (DW10FDD))		Diesel	FWD	1997	100	136	06.15-12.18	■
2.0 BlueHDi 150 (AHR (DW10FD))		Diesel	FWD	1997	110	150	04.15-12.18	■
2.0 BlueHDi 180 (AHW (DW10FC))		Diesel	FWD	1997	133	180	04.15-12.18	■
DS (CAPSA)								
DS 4S 01.16-					Hatchback ()			
THP130	discØ 340	Gasolina	FWD	1199	100	136	04.16-	■
THP180		Gasolina	FWD	1598	123	167	04.16-	■
THP200		Gasolina	FWD	1751	150	204	04.16-	■
DS 5 09.13-					Hatchback ()			
1.6 THP160 (5F06 10FJBZ (EP6CDTM))		Gasolina	FWD	1598	120	163	09.13-12.17	■
1.6 THP160 (5G02 10UF01 (EP6FDTM))		Gasolina	FWD	1598	123	167	09.15-12.20	■
1.6 THP200 (5F03 (EP6CDTX))		Gasolina	FWD	1598	147	200	09.13-12.15	■
1.8 THP 200 (6G01 10UF51 (EP8FDT))		Gasolina	FWD	1751	150	204	09.15-12.20	■
DS 5 LS 01.14-					Saloon ()			
1.6 THP160 (5F06 10FJBZ (EP6CDTM))		Gasolina	FWD	1598	120	163	03.14-	■
1.6 THP160 (5G02 10UF01 (EP6FDTM))		Gasolina	FWD	1598	123	167	04.16-	■
1.6 THP200 (5F03 (EP6CDTX))		Gasolina	FWD	1598	147	200	03.14-	■
1.8 THP 200 (6G01 10UF51 (EP8FDT))		Gasolina	FWD	1751	150	204	04.16-	■
1.8 VTi 140 (WFZ (EC8))		Gasolina	FWD	1813	102	139	01.14-12.15	■

LISTA DE APLICACIONES - BUYERS GUIDE

DS 6 09.14-					SUV ()			
1.6 THP200		Gasolina	FWD	1598	147	200	09.14-	■
1.8 THP 200		Gasolina	FWD	1751	150	204	09.15-	■
PEUGEOT								
3008 (0U_) 05.09-12.17					Box Body/MPV (Compact MPV-M1 Segment)			
HDi 110 (0U9HZ8, 0U9HZT)		Diesel	FWD	1560	80	109	06.09-08.16	■
HDi 150 (0URHEM)		Diesel	FWD	1997	110	150	06.09-08.16	■
HDi (0URHHT)		Diesel	FWD	1997	120	163	06.09-08.16	■
3008 (0U_) 05.09-12.17					MPV (Compact MPV-M1 Segment)			
1.2 (HNY (EB2DTS))		Gasolina	FWD	1199	96	131	01.15-08.16	■
1.6 VTi (5FS (EP6C))		Gasolina	FWD	1598	88	120	06.09-08.16	■
1.6 VTi (5FW (EP6))		Gasolina	FWD	1598	88	120	06.09-08.16	■
1.6 VTi (EP6)		Gasolina	FWD	1598	88	120	06.09-08.16	■
1.6 THP (5FE (EP6CDTM))		Gasolina	FWD	1598	110	150	06.09-08.16	■
1.6 THP (5FE (EP6CDTMD))		Gasolina	FWD	1598	110	150	06.09-08.16	■
1.6 THP (5FX (EP6DT))		Gasolina	FWD	1598	110	150	06.09-08.16	■
1.6 THP (5FV (EP6CDT))		Gasolina	FWD	1598	115	156	06.09-08.16	■
1.6 THP (5FM (EP6CDTM))		Gasolina	FWD	1598	120	163	09.10-08.16	■
1.6 Turbo (5GZ (EP6FDT))		Gasolina	FWD	1598	121	165	05.14-08.16	■
2.0 BlueHDi 135 Hybrid		Diesel/el éc.	FWD	1997	100	136	01.15-12.16	■
2.0 BlueHDi 135 Hybrid		Diesel/el éc.	FWD	1997	100	136	09.15-12.16	■
2.0 BlueHDi 150 Hybrid		Diesel/el éc.	FWD	1997	110	150	01.15-12.16	■
2.0 HDi Hybrid4 (RHC (DW10CTED4))		Diesel/el éc.	4WD	1997	120	163	02.11-08.16	■
2.0 HDi Hybrid4 (0URHCA) (RHC (DW10CTED4))		Diesel/el éc.	4WD	1997	147	200	02.11-08.16	■
1.6 HDi (9HZ (DV6TED4))		Diesel	FWD	1560	80	109	06.09-08.16	■
1.6 HDi (9HR (DV6C))	Org.- 12367-	Diesel	FWD	1560	82	112	12.09-08.16	■
1.6 HDi (9HD (DV6CTED))		Diesel	FWD	1560	84	114	03.13-08.16	■
1.6 HDi 115 / BlueHDi 115 (9HC (DV6C))		Diesel	FWD	1560	85	116	02.13-08.16	■
1.6 HDi 115 / BlueHDi 115 (BHx (DV6FC))		Diesel	FWD	1560	85	116	02.13-08.16	■
1.6 BlueHDi 120 (BHZ (DV6FC))		Diesel	FWD	1560	88	120	05.14-08.16	■
2.0 HDi (RHD (DW10CB))		Diesel	FWD	1997	100	136	09.11-08.16	■
2.0 HDi 150 / BlueHDi 150 (RWRHEJ, RWRHE8) (AHX (DW10FD))		Diesel	FWD	1997	110	150	06.09-08.16	■
2.0 HDi 150 / BlueHDi 150 (RWRHEJ, RWRHE8) (RHE (DW10CTED4))		Diesel	FWD	1997	110	150	06.09-08.16	■
2.0 HDi (RHH (DW10CTED4))		Diesel	FWD	1997	120	163	06.09-08.16	■
308 (4A_, 4C_) 09.07-					Hatchback (Compact car-C Segment)			
1.6 16V (5FY (EP6DTS))		Gasolina	FWD	1598	128	174	03.08-10.14	■
1.6 GTI (EP6CDTX)		Gasolina	FWD	1598	147	200	07.10-10.14	■
1.6 BioFlex (NFU (TU5JP4))		Gasol./Et anol	FWD	1587	80	109	04.08-10.14	■
2.0 Bioflex (RFJ (EW10A))		Gasol./Et anol	FWD	1997	103	140	01.08-12.12	■
308 CC (4B_) 02.09-					Convertible (Compact car-C Segment)			
1.6 THP (EP6CDTX)		Gasolina	FWD	1598	147	200	10.10-12.14	■
5008 (0U_) 06.09-03.17					Box Body/MPV (Compact MPV-M1 Segment)			
HDi (0U9HR8)		Diesel	FWD	1560	82	111	08.10-03.17	■
HDi / e-HDi (0U9HD8, 0U9HDA)		Diesel	FWD	1560	84	114	03.13-03.17	■

LISTA DE APLICACIONES - BUYERS GUIDE

HDi 136 (0URHEM)		Diesel	FWD	1997	100	136	02.12-03.17	■	
HDi 150 (0URHEM)		Diesel	FWD	1997	110	150	06.09-03.17	■	
HDi 165 (0URHHT)		Diesel	FWD	1997	120	163	06.09-03.17	■	
5008 (0U_, 0E_) 06.09-					MPV (Compact MPV-M1 Segment)				
1.2 (HNY (EB2DTS))		Gasolina	FWD	1199	96	131	01.15-03.17	■	
1.6 16V (5FS (EP6C))		Gasolina	FWD	1598	88	120	09.09-03.17	■	
1.6 16V (5FW (EP6))		Gasolina	FWD	1598	88	120	09.09-03.17	■	
1.6 16V (EP6)		Gasolina	FWD	1598	88	120	09.09-03.17	■	
1.6 THP 150 (5FX (EP6DT))		Gasolina	FWD	1598	110	150	02.12-03.17	■	
1.6 16V (5FV (EP6CDT))		Gasolina	FWD	1598	115	156	09.09-03.17	■	
1.6 THP 163 (5GZ (EP6FDT))		Gasolina	FWD	1598	120	163	02.12-03.17	■	
1.6 THP 165 (5GZ (EP6FDT))		Gasolina	FWD	1598	121	165	02.12-03.17	■	
1.6 HDi (9HZ (DV6TED4))		Diesel	FWD	1560	80	110	09.09-03.17	■	
1.6 HDi (9HR (DV6C))		Diesel	FWD	1560	82	112	08.10-03.17	■	
1.6 HDi (9HD (DV6C))		Diesel	FWD	1560	84	114	03.13-03.17	■	
1.6 BlueHDi 115		Diesel	FWD	1560	85	116	11.14-03.17	■	
1.6 BlueHDi 120 (BHZ (DV6FC))		Diesel	FWD	1560	88	120	05.14-03.17	■	
2.0 HDi 136 / BlueHDi 136 (AHV (DW10FD))		Diesel	FWD	1997	100	136	02.12-03.17	■	
2.0 HDi 136 / BlueHDi 136 (RHD (DW10CB))		Diesel	FWD	1997	100	136	02.12-03.17	■	
2.0 HDi 136 / BlueHDi 136 (RHD (DW10CTED4))		Diesel	FWD	1997	100	136	02.12-03.17	■	
2.0 HDi 150 / BlueHDi 150 (RWRHEJ, RWRHE8) (AHX (DW10FD))		Diesel	FWD	1997	110	150	06.09-03.17	■	
2.0 HDi 150 / BlueHDi 150 (RWRHEJ, RWRHE8) (RHE (DW10CTED4))		Diesel	FWD	1997	110	150	06.09-03.17	■	
2.0 HDi (RHH (DW10CTED4))		Diesel	FWD	1997	120	163	09.09-03.17	■	
508 (8D_) 11.10-					Saloon (Large family car-D Segment)				
1.6 VTi (5FH (EP6C))	elec.brake detention	Gasolina	FWD	1598	85	116	11.10-12.18	■	
1.6 VTi (5FS (EP6C))	elec.brake detention	Gasolina	FWD	1598	88	120	11.10-12.18	■	
1.6 THP (5FN (EP6CDT))	elec.brake detention	Gasolina	FWD	1598	110	150	11.10-12.18	■	
1.6 THP (5FV (EP6CDT))	elec.brake detention	Gasolina	FWD	1598	115	156	11.10-12.18	■	
1.6 THP (5GZ (EP6FDT))	elec.brake detention	Gasolina	FWD	1598	120	163	01.12-12.18	■	
2.0 HDi Hybrid4 AWC (RHC (DW10CTED4))	elec.brake detention	Diesel/el éc.	4WD	1997	120	163	11.10-12.18	■	
2.0 HDi Hybrid4 AWC (RHC (DW10CTED4))	elec.brake detention	Diesel/el éc.	4WD	1997	147	200	11.10-12.18	■	
1.6 HDi (9HL (DV6C))	elec.brake detention	Diesel	FWD	1560	82	112	11.10-12.18	■	
1.6 HDi (9HR (DV6C))	elec.brake detention	Diesel	FWD	1560	82	112	11.10-12.18	■	
1.6 HDi (9HD (DV6CTED))	elec.brake detention	Diesel	FWD	1560	84	115	02.12-12.18	■	
1.6 BlueHDi 120 (BHZ (DV6FC))	elec.brake detention	Diesel	FWD	1560	88	120	03.14-12.18	■	
2.0 HDi (RHR (DW10BTED4))	elec.brake detention	Diesel	FWD	1997	100	136	11.10-12.18	■	
2.0 HDi (RHA (DW10CTED4))	elec.brake detention	Diesel	FWD	1997	103	140	11.10-12.18	■	
2.0 HDi (RHF (DW10BTED4))	elec.brake detention	Diesel	FWD	1997	103	140	11.10-12.18	■	
2.0 BlueHDi 150 (AHX (DW10FD))	elec.brake detention	Diesel	FWD	1997	110	150	04.14-12.18	■	
2.0 HDi (RHH (DW10CTED4))	elec.brake detention	Diesel	FWD	1997	120	163	11.10-12.18	■	
2.0 BlueHDi 180 (AHW (DW10FC))	elec.brake detention	Diesel	FWD	1997	133	180	04.14-12.18	■	
2.2 HDi (4HL (DW12C))	elec.brake detention	Diesel	FWD	2179	150	204	11.10-12.18	■	
508 SW (8E_) 11.10-					Estate (Large family car-D Segment)				
1.6 VTi (5FH (EP6C))	elec.brake detention	Gasolina	FWD	1598	85	116	11.10-12.18	■	
1.6 VTi (5FS (EP6C))	elec.brake detention	Gasolina	FWD	1598	88	120	11.10-12.18	■	
1.6 THP (5FE (EP6CDTM))	elec.brake detention	Gasolina	FWD	1598	110	150	11.10-12.18	■	
1.6 THP (5FN (EP6CDT))	elec.brake detention	Gasolina	FWD	1598	110	150	11.10-12.18	■	
1.6 THP (5FV (EP6CDT))	elec.brake detention	Gasolina	FWD	1598	115	156	11.10-12.18	■	

LISTA DE APLICACIONES - BUYERS GUIDE

1.6 (5GZ (EP6FDT))	elec.brake detention	Gasolina	FWD	1598	121	165	02.12-12.18	■
2.0 HDi RXH Hybrid4	elec.brake detention	Gasol./el éc.	4WD	1997	147	200	12.11-	■
2.0 HDi RXH Hybrid4 (RHC (DW10CTED4))	elec.brake detention	Diesel/el éc.	4WD	1997	147	200	11.10-12.18	■
1.6 HDi (9HL (DV6C))	elec.brake detention	Diesel	FWD	1560	82	112	11.10-12.18	■
1.6 HDi (9HR (DV6C))	elec.brake detention	Diesel	FWD	1560	82	112	11.10-12.18	■
1.6 HDi (9HL (DV6C))	elec.brake detention	Diesel	FWD	1560	84	115	02.12-12.18	■
1.6 HDi (9HR (DV6C))	elec.brake detention	Diesel	FWD	1560	84	115	02.12-12.18	■
1.6 BlueHdi 120 (BHZ (DV6FC))	elec.brake detention	Diesel	FWD	1560	88	120	03.14-12.18	■
2.0 HDi (RHR (DW10BTED4))	elec.brake detention	Diesel	FWD	1997	100	136	11.10-12.18	■
2.0 HDi (RHA (DW10CTED4))	elec.brake detention	Diesel	FWD	1997	103	140	11.10-12.18	■
2.0 HDi (RHF (DW10BTED4))	elec.brake detention	Diesel	FWD	1997	103	140	11.10-12.18	■
2.0 BlueHdi 150 (AHX (DW10FD))	elec.brake detention	Diesel	FWD	1997	110	150	04.14-12.18	■
2.0 HDi (RHH (DW10CTED4))	elec.brake detention	Diesel	FWD	1997	120	163	11.10-12.18	■
2.0 BlueHdi 180 (AHW (DW10FC))	elec.brake detention	Diesel	FWD	1997	133	180	04.14-12.18	■
2.0 HDi 180 RXH	elec.brake detention	Diesel	FWD	1997	133	181	10.14-12.18	■
2.2 HDi (4HL (DW12C))	elec.brake detention	Diesel	FWD	2179	150	204	11.10-12.18	■
RCZ 03.10-				Coupe (Compact car-C Segment)				
1.6 THP 150 (5FE (EP6CDTMD))	discØ 290	Gasolina	FWD	1598	110	150	03.11-12.15	■
1.6 16V (5FV (EP6CDT))	discØ 290	Gasolina	FWD	1598	115	156	03.10-12.15	■
1.6 16V (5FM (EP6CDTM))	discØ 290	Gasolina	FWD	1598	121	165	01.11-12.15	■
1.6 16V (EP6CDTX)	discØ 290	Gasolina	FWD	1598	147	200	06.10-12.15	■
1.6 THP 270 (5FG (EP6CDTR))	discØ 290	Gasolina	FWD	1598	199	270	06.13-12.15	■
2.0 HDi (RHH (DW10CTED4))	discØ 290	Diesel	FWD	1997	120	163	03.10-12.15	■