

# LISTA DE APLICACIONES - BUYERS GUIDE

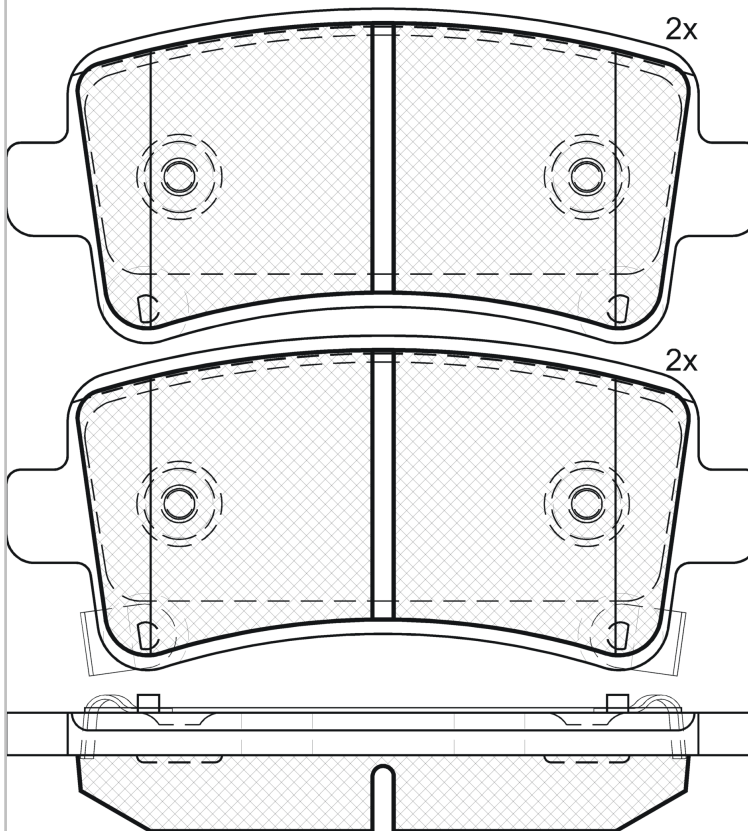
## 181929



Qty: 300

Weight: 1.065

O.E.M.	MAKE
13 237 765	VAUXHALL
13 237 766	VAUXHALL
13 237 767	SAAB
13 338 368	SAAB
13 343 450	VAUXHALL
1323 7768	BUICK
16 05 103	OPEL
16 05 104	OPEL
16 05 221	OPEL
16 05 223	OPEL
16 05 366	VAUXHALL
16 05 367	VAUXHALL
16 58 660 9	VAUXHALL
16 586 609	OPEL
20 978 663	SAAB
2284 6359	CHEVROLET
2284 6361	CHEVROLET
2284 6362	CHEVROLET
2284 6363	CHEVROLET
5 42 027	OPEL
54 20 27	VAUXHALL
54 21 25	SAAB
95 51 5498	OPEL
95 514 644	VAUXHALL
95 515 497	OPEL



## 181929

**E 9** 90R-01111/2257



Trw

106.4x47.21x17.4

**WVA**  
24421  
24422

**FMSI**  
D1430-8547

**MAKE**

- BENTLEY
- BUICK
- CADILLAC
- CHEVROLET
- OPEL
- SAAB
- VAUXHALL



Trac.	CC	Kw	CV
-------	----	----	----



Front / Rear

### BENTLEY

**FLYING SPUR (4W\_) 03.13-**

**Saloon (Luxury car-F Segment)**

4.0	Eq.V_ +17"/17 +"Rad	Gasolina	FWD	3993	389	529	09.14-	■
6.0 W12 (CVAA)	Eq.V_ +17"/17 +"Rad	Gasolina	4WD	5998	460	626	03.13-10.20	■
6.0 W12 (DBDB)	Eq.V_ +17"/17 +"Rad	Gasolina	4WD	5998	460	626	03.13-10.20	■
4.0 FLEX (CMMC)	Eq.V_ +17"/17 +"Rad	Gasol./Et anol	4WD	3993	373	507	03.13-	■
4.0 FLEX (CYCB)	Eq.V_ +17"/17 +"Rad	Gasol./Et anol	4WD	3993	373	507	03.13-	■
6.0 FLEX	Eq.V_ +17"/17 +"Rad	Gasol./Et anol	4WD	5998	453	616	03.13-	■

### BUICK

**LA CROSSE 09.04-12.09**

**Saloon (Executive car-E Segment)**

All models	01/10-	Gasolina	FWD				09.04-	■
------------	--------	----------	-----	--	--	--	--------	---

**LA CROSSE II 06.09-**

**Saloon (Executive car-E Segment)**

3.6		Gasolina	FWD	3564	226	307	07.15-	■
-----	--	----------	-----	------	-----	-----	--------	---

**REGAL V (U.S.A.) 09.10-**

**Saloon (Large family car-D Segment)**

2.4		Gasolina	FWD		136	185	09.10-	■
2.4 FLEX		Gasolina	FWD		136	185	09.11-	■

### CADILLAC

**XTS (1P5) 09.11-**

**Saloon (Luxury car-F Segment)**

3.6 (LFX)		Gasolina	FWD	3564	227	309	09.11-	■
-----------	--	----------	-----	------	-----	-----	--------	---

### CHEVROLET

# LISTA DE APLICACIONES - BUYERS GUIDE

<b>IMPALA X 01.13-</b>					<b>Saloon (Executive car-E Segment)</b>			
2.5		Gasolina	FWD	2457	145	197	07.13-12.16	■
2.5		Gasolina	FWD	2457	146	199	03.16-	■
3.6 (LFX)		Gasolina	FWD	3564	227	309	07.13-12.14	■
3.6 Bi-Fuel		Gasol./Gas (CNG)	FWD	3564	172	234	04.14-	■
3.6 FLEX (LFX)		Gasol./Etanol	FWD	3564	224	305	07.13-	■
3.6 FLEX		Gasol./Etanol	FWD	3564	226	307	07.13-12.14	■
3.6 FLEX		Gasol./Etanol	FWD	3564	227	309	07.13-	■
2.4 Hybrid		Gasol./eléc.	FWD	2384	136	185	07.13-12.14	■
2.4 Hybrid		Gasol./eléc.	FWD	2384	147	200	06.14-	■

<b>MALIBU VII 01.08-</b>					<b>Saloon (Executive car-E Segment)</b>			
2.0		Gasolina	FWD	1998	193	262	09.12-	■
2.4	Rim 16, Rim 17	Gasolina	FWD	2384	127	173	01.12-	■
3.6 (LY7)	Rim 16, Rim 17	Gasolina	FWD	3564	188	256	01.08-12.12	■

<b>MALIBU VIII (V300) 01.12-</b>					<b>Saloon (Executive car-E Segment)</b>			
1.6 T		Gasolina	FWD	1598	135	184	12.12-	■
2.0 LPG		Gasolina	FWD	1998	101	137	02.12-	■
2.0		Gasolina	FWD	1998	104	141	02.12-	■
2.0	Rim 17	Gasolina	FWD	1998	108	147	12.12-	■
2.0 (LTG)		Gasolina	FWD	1998	193	262	01.12-12.15	■
2.4 (LE9(145CUL4))	Rim 16   Rim 17	Gasolina	FWD	2384	123	167	01.12-	■
2.4 (LE9(145CUL4))		Gasolina	FWD	2384	125	170	01.12-	■
2.4		Gasolina	FWD	2384	137	186	01.12-	■
3.0 (LFW)		Gasolina	FWD	2997	196	267	04.13-	■
2.0 D		Diesel	FWD	1956	115	156	04.12-	■
2.0 D (LBS)	Rim 16   Rim 17	Diesel	FWD	1956	118	160	04.12-	■

## OPEL

<b>INSIGNIA A (G09) 07.08-</b>					<b>Hatchback (Executive car-E Segment)</b>			
1.4 (68) (A 14 NET)	discØ 292, Solid disc, POC J60, Rim 16, Rim 17, discØ 315, POC J61	Gasolina	FWD	1364	103	140	04.11-03.17	■
1.4 (68) (B 14 NET)	discØ 292, Solid disc, POC J60, Rim 16, Rim 17, discØ 315, POC J61	Gasolina	FWD	1364	103	140	04.11-03.17	■
1.6 (68) (A 16 XER)	discØ 292, Solid disc, POC J60, Rim 16, Rim 17, discØ 315, POC J61	Gasolina	FWD	1598	85	116	07.08-03.17	■
1.6 SIDI (68) (A 16 XHT)	discØ 292, POC J60, Rim 16, Rim 17, discØ 315, POC J61	Gasolina	FWD	1598	125	170	03.13-03.17	■
1.6 SIDI (68) (B 16 SHL)	discØ 292, POC J60, Rim 16, Rim 17, discØ 315, POC J61	Gasolina	FWD	1598	125	170	03.13-03.17	■
1.6 Turbo (68) (A 16 LET)	Rim 17, discØ 315, POC J61, J62	Gasolina	FWD	1598	132	180	07.08-03.17	■
1.8 (68) (A 18 XER)	Solid disc, discØ 292, POC J60, Rim 16, Rim 17, discØ 315, POC J61	Gasolina	FWD	1796	103	140	07.08-03.17	■
1.8 (68) (B 18 XER)	Solid disc, discØ 292, POC J60, Rim 16, Rim 17, discØ 315, POC J61	Gasolina	FWD	1796	103	140	07.08-03.17	■
2.0 Turbo (68) (A 20 NHT)	Rim 17, discØ 315, POC J61, J62	Gasolina	FWD	1998	162	220	07.08-03.17	■
2.0 Turbo 4x4 (68) (A 20 NHT)	Rim 17, discØ 315, POC J61, J62	Gasolina	4WD	1998	162	220	07.08-03.17	■

# LISTA DE APLICACIONES - BUYERS GUIDE

2.0 Turbo (68) (A 20 NHT)	Rim 17, discØ 315, POC J61,J62	Gasolina	FWD	1998	184	250	04.14-03.17	■
2.0 Turbo (68) (B 20 NHT)	Rim 17, discØ 315, POC J61,J62	Gasolina	FWD	1998	184	250	04.14-03.17	■
2.0 Turbo 4x4 (68) (A 20 NFT)	Rim 17, discØ 315, POC J61,J62	Gasolina	4WD	1998	184	250	07.11-03.17	■
2.0 Turbo 4x4 (68) (A 20 NHT)	Rim 17, discØ 315, POC J61,J62	Gasolina	4WD	1998	184	250	07.11-03.17	■
2.0 Turbo 4x4 (68) (B 20 NHT)	Rim 17, discØ 315, POC J61,J62	Gasolina	4WD	1998	184	250	07.11-03.17	■
2.8 V6 Turbo 4x4 (68) (A 28 NET)	Vented disc	Gasolina	4WD	2792	191	260	07.08-03.17	■
2.8 V6 Turbo OPC 4x4 (68) (A 28 NER)	Rim 17, discØ 315, POC J64	Gasolina	4WD	2792	239	325	07.09-03.17	■
2.8 V6 Turbo OPC 4x4 (68) (B 28 NER)	Rim 17, discØ 315, POC J64	Gasolina	4WD	2792	239	325	07.09-03.17	■
1.4 LPG (68) (A 14 NET)	discØ 292, POC J60, Rim 16, Rim 17, discØ 315, POC J61	Gasol./Gas (LPG)	FWD	1364	103	140	07.12-03.17	■
1.4 LPG (68) (B 14 NET)	discØ 292, POC J60, Rim 16, Rim 17, discØ 315, POC J61	Gasol./Gas (LPG)	FWD	1364	103	140	07.12-03.17	■
2.0 E85 Turbo (68) (A 20 NFT)	Rim 17, discØ 315, POC J61,J62	Gasol./Etanol	FWD	1998	162	220	10.10-03.17	■
1.6 CDTi (68) (B 16 DTJ)	discØ 292, POC J60, Rim 16, Rim 17, discØ 315, POC J61	Diesel	FWD	1598	88	120	07.15-03.17	■
1.6 CDTi (68) (B 16 DTH)	Rim 17, discØ 315, POC J61	Diesel	FWD	1598	100	136	07.15-03.17	■
2.0 CDTI (68) (A 20 DTC)	Solid disc, discØ 292, POC J60, Rim 16, Rim 17, discØ 315, POC J61	Diesel	FWD	1956	81	110	07.08-03.17	■
2.0 CDTI (68) (A 20 DTL)	Solid disc, discØ 292, POC J60, Rim 16, Rim 17, discØ 315, POC J61	Diesel	FWD	1956	81	110	07.08-03.17	■
2.0 CDTI (68) (A 20 DTE)	Rim 17, discØ 315, POC J61	Diesel	FWD	1956	88	120	03.12-03.17	■
2.0 CDTI (68) (A 20 DT)	discØ 292, Solid disc, POC J60, Rim 16, Rim 17, discØ 315, POC J61	Diesel	FWD	1956	96	131	07.08-03.17	■
2.0 CDTI (68) (A 20 DTJ)	discØ 292, Solid disc, POC J60, Rim 16, Rim 17, discØ 315, POC J61	Diesel	FWD	1956	96	131	07.08-03.17	■
2.0 CDTI (68) (A 20 DTE)	Rim 17, discØ 315, POC J61	Diesel	FWD	1956	103	140	06.13-03.17	■
2.0 CDTI (68) (A 20 DTH)	discØ 292, POC J60, Rim 16, Rim 17, discØ 315, POC J61	Diesel	FWD	1956	118	160	07.08-03.17	■
2.0 CDTI 4x4 (68) (A 20 DTH)	discØ 292, POC J60, Rim 16, Rim 17, discØ 315, POC J61	Diesel	4WD	1956	118	160	06.10-03.17	■
2.0 CDTI (68) (A 20 DTH)	discØ 292, POC J60, Rim 16, Rim 17, discØ 315, POC J61	Diesel	FWD	1956	120	163	07.13-03.17	■
2.0 CDTI 4x4 (68) (A 20 DTH)	discØ 292, POC J60, Rim 16, Rim 17, discØ 315, POC J61	Diesel	4WD	1956	120	163	07.13-03.17	■
2.0 CDTI (68) (B 20 DTH)	Rim 17, discØ 315, POC J61	Diesel	FWD	1956	125	170	11.14-03.17	■
2.0 CDTI 4x4 (68) (B 20 DTH)	discØ 292, POC J60, Rim 16, Rim 17, discØ 315, POC J61	Diesel	4WD	1956	125	170	11.14-03.17	■
2.0 Biturbo CDTI (68) (A 20 DTR)	discØ 292, POC J60, Rim 16, Rim 17, discØ 315, POC J61	Diesel	FWD	1956	140	190	07.08-12.11	■
2.0 Biturbo CDTI 4x4 (68) (A 20 DTR)	discØ 292, POC J60, Rim 16, Rim 17, discØ 315, POC J61	Diesel	4WD	1956	140	190	05.09-12.11	■
2.0 Biturbo CDTI (68) (A 20 DTR)	discØ 292, POC J60, Rim 16, Rim 17, discØ 315, POC J61	Diesel	FWD	1956	143	195	01.12-03.17	■
2.0 Biturbo CDTI 4x4 (68) (A 20 DTR)	discØ 292, POC J60, Rim 16, Rim 17, discØ 315, POC J61	Diesel	4WD	1956	143	195	01.12-03.17	■
<b>INSIGNIA A (G09) 07.08-</b>						<b>Saloon (Executive car-E Segment)</b>		
1.4 (69) (A 14 NET)	Solid disc, discØ 292, POC J60, Rim 16, Rim 17, discØ 315, POC J61	Gasolina	FWD	1364	103	140	04.11-03.17	■
1.4 (69) (B 14 NET)	Solid disc, discØ 292, POC J60, Rim 16, Rim 17, discØ 315, POC J61	Gasolina	FWD	1364	103	140	04.11-03.17	■
1.6 (69) (A 16 XER)	discØ 292, Solid disc, POC J60, Rim 16, Rim 17, discØ 315, POC J61	Gasolina	FWD	1598	85	116	07.08-03.17	■
1.6 SIDI (69) (A 16 XHT)	discØ 292, POC J60, Rim 16, Rim 17, discØ 315, POC J61	Gasolina	FWD	1598	125	170	03.13-03.17	■
1.6 SIDI (69) (B 16 SHL)	discØ 292, POC J60, Rim 16, Rim 17, discØ 315, POC J61	Gasolina	FWD	1598	125	170	03.13-03.17	■

# LISTA DE APLICACIONES - BUYERS GUIDE

1.6 Turbo (69) (A 16 LET)	Rim 17, discØ 315, POC J61,J62	Gasolina	FWD	1598	132	180	07.08-03.17	■
1.8 (69) (A 18 XER)	Solid disc, discØ 292, POC J60, Rim 16, Rim 17, discØ 315, POC J61	Gasolina	FWD	1796	103	140	07.08-03.17	■
1.8 (69) (B 18 XER)	Solid disc, discØ 292, POC J60, Rim 16, Rim 17, discØ 315, POC J61	Gasolina	FWD	1796	103	140	07.08-03.17	■
2.0 Turbo (69) (A 20 NHT)	Rim 17, discØ 315, POC J61,J62	Gasolina	FWD	1998	162	220	07.08-03.17	■
2.0 Turbo 4x4 (69) (A 20 NHT)	Rim 17, discØ 315, POC J61,J62	Gasolina	4WD	1998	162	220	07.08-03.17	■
2.0 Turbo (69) (A 20 NHT)	Rim 17, discØ 315, POC J61,J62	Gasolina	FWD	1998	184	250	04.14-03.17	■
2.0 Turbo (69) (B 20 NHT)	Rim 17, discØ 315, POC J61,J62	Gasolina	FWD	1998	184	250	04.14-03.17	■
2.0 Turbo 4x4 (69) (A 20 NHT)	Rim 17, discØ 315, POC J61,J62	Gasolina	4WD	1998	184	250	07.11-03.17	■
2.0 Turbo 4x4 (69) (A 20 NHT)	Rim 17, discØ 315, POC J61,J62	Gasolina	4WD	1998	184	250	07.11-03.17	■
2.0 Turbo 4x4 (69) (B 20 NHT)	Rim 17, discØ 315, POC J61,J62	Gasolina	4WD	1998	184	250	07.11-03.17	■
2.8 V6 Turbo 4x4 (69) (A 28 NET)	Vented disc, discØ 315, Rim 17, POC J62	Gasolina	4WD	2792	191	260	07.08-03.17	■
2.8 V6 Turbo OPC 4x4 (69) (A 28 NER)	Rim 17, discØ 315, POC J64	Gasolina	4WD	2792	239	325	07.09-03.17	■
2.8 V6 Turbo OPC 4x4 (69) (B 28 NER)	Rim 17, discØ 315, POC J64	Gasolina	4WD	2792	239	325	07.09-03.17	■
1.4 LPG (69) (A 14 NET)	discØ 292, POC J60, Rim 16, Rim 17, discØ 315, POC J61	Gasol./G as (LPG)	FWD	1364	103	140	07.12-03.17	■
1.4 LPG (69) (B 14 NET)	discØ 292, POC J60, Rim 16, Rim 17, discØ 315, POC J61	Gasol./G as (LPG)	FWD	1364	103	140	07.12-03.17	■
2.0 Turbo E85 (69) (A 20 NHT)	Rim 17, discØ 315, POC J61,J62	Gasol./Et anol	FWD	1998	162	220	07.08-03.17	■
1.6 CDTi (69) (B 16 DTJ)	discØ 292, POC J60, Rim 16, Rim 17, discØ 315, POC J61	Diesel	FWD	1598	88	120	07.15-03.17	■
1.6 CDTi (69) (B 16 DTH)	Rim 17, discØ 315, POC J61	Diesel	FWD	1598	100	136	07.15-03.17	■
2.0 CDTI (69) (A 20 DTC)	discØ 292, Solid disc, POC J60, Rim 16, Rim 17, discØ 315, POC J61	Diesel	FWD	1956	81	110	07.08-03.17	■
2.0 CDTI (69) (A 20 DTL)	discØ 292, Solid disc, POC J60, Rim 16, Rim 17, discØ 315, POC J61	Diesel	FWD	1956	81	110	07.08-03.17	■
2.0 CDTI (69) (A 20 DTE)	Rim 17, discØ 315, POC J61	Diesel	FWD	1956	88	120	03.12-03.17	■
2.0 CDTI (69) (A 20 DT)	Solid disc, discØ 292, POC J60, Rim 16, Rim 17, discØ 315, POC J61	Diesel	FWD	1956	96	131	07.08-03.17	■
2.0 CDTI (69) (A 20 DTJ)	Solid disc, discØ 292, POC J60, Rim 16, Rim 17, discØ 315, POC J61	Diesel	FWD	1956	96	131	07.08-03.17	■
2.0 CDTI (69) (A 20 DTE)	Rim 17, discØ 315, POC J61	Diesel	FWD	1956	103	140	06.13-03.17	■
2.0 CDTI (69) (A 20 DTH)	discØ 292, POC J60, Rim 16, Rim 17, discØ 315, POC J61	Diesel	FWD	1956	118	160	07.08-03.17	■
2.0 CDTI 4x4 (69) (A 20 DTH)	discØ 292, POC J60, Rim 16, Rim 17, discØ 315, POC J61	Diesel	4WD	1956	118	160	06.10-03.17	■
2.0 CDTI (69) (A 20 DTH)	discØ 292, POC J60, Rim 16, Rim 17, discØ 315, POC J61	Diesel	FWD	1956	120	163	07.13-03.17	■
2.0 CDTI 4x4 (69) (A 20 DTH)	discØ 292, POC J60, Rim 16, Rim 17, discØ 315, POC J61	Diesel	4WD	1956	120	163	07.13-03.17	■
2.0 CDTI (69) (B 20 DTH)	Rim 17, discØ 315, POC J61	Diesel	FWD	1956	125	170	11.14-03.17	■
2.0 CDTI 4x4 (69) (B 20 DTH)	discØ 292, POC J60, Rim 16, Rim 17, discØ 315, POC J61	Diesel	4WD	1956	125	170	11.14-03.17	■
2.0 Biturbo CDTI (69) (A 20 DTR)	discØ 292, POC J60, Rim 16, Rim 17, discØ 315, POC J61	Diesel	FWD	1956	140	190	07.08-12.11	■
2.0 Biturbo CDTI 4x4 (69) (A 20 DTR)	discØ 292, POC J60, Rim 16, Rim 17, discØ 315, POC J61	Diesel	4WD	1956	140	190	07.08-12.11	■
2.0 Biturbo CDTI (69) (A 20 DTR)	discØ 292, POC J60, Rim 16, Rim 17, discØ 315, POC J61	Diesel	FWD	1956	143	195	01.12-03.17	■
2.0 Biturbo CDTI 4x4 (69) (A 20 DTR)	discØ 292, POC J60, Rim 16, Rim 17, discØ 315, POC J61	Diesel	4WD	1956	143	195	01.12-03.17	■

# LISTA DE APLICACIONES - BUYERS GUIDE

<b>INSIGNIA A Country Tourer (G09) 07.08-03.17</b>						<b>Estate (Executive car-E Segment)</b>				
1.6 SIDI (47) (A 16 XHT)	discØ 292, POC J60, Rim 16, Rim 17, discØ 315, POC J61	Gasolina	FWD	1598	125	170	07.14-03.17		■	
1.6 SIDI (47) (B 16 SHL)	discØ 292, POC J60, Rim 16, Rim 17, discØ 315, POC J61	Gasolina	FWD	1598	125	170	07.14-03.17		■	
2.0 Turbo 4x4 (47) (A 20 NFT)	Rim 17, discØ 315, POC J61,J62	Gasolina	4WD	1998	184	250	09.13-03.17		■	
2.0 Turbo 4x4 (47) (A 20 NHT)	Rim 17, discØ 315, POC J61,J62	Gasolina	4WD	1998	184	250	09.13-03.17		■	
2.0 Turbo 4x4 (47) (B 20 NHT)	Rim 17, discØ 315, POC J61,J62	Gasolina	4WD	1998	184	250	09.13-03.17		■	
1.6 CDTi (47) (B 16 DTJ)	discØ 292, POC J60, Rim 16, Rim 17, discØ 315, POC J61	Diesel	FWD	1598	88	120	07.15-03.17		■	
1.6 CDTi (47) (B 16 DTH)	discØ 292, POC J60, Rim 16, Rim 17, discØ 315, POC J61	Diesel	FWD	1598	100	136	07.15-03.17		■	
2.0 CDTi (47) (A 20 DTE)	discØ 292, POC J60, Rim 16, Rim 17, discØ 315, POC J61	Diesel	FWD	1956	88	120	03.12-03.17		■	
2.0 CDTi (47) (A 20 DT)	discØ 292, POC J60, Rim 16, Rim 17, discØ 315, POC J61	Diesel	FWD	1956	96	131	07.08-03.17		■	
2.0 CDTi (47) (A 20 DTJ)	discØ 292, POC J60, Rim 16, Rim 17, discØ 315, POC J61	Diesel	FWD	1956	96	131	07.08-03.17		■	
2.0 CDTi (47) (A 20 DTH)	discØ 292, POC J60, Rim 16, Rim 17, discØ 315, POC J61	Diesel	FWD	1956	120	163	07.14-03.17		■	
2.0 CDTi 4x4 (47) (A 20 DTH)	discØ 292, POC J60, Rim 16, Rim 17, discØ 315, POC J61	Diesel	4WD	1956	120	163	09.13-03.17		■	
2.0 CDTi (47) (B 20 DTH)	discØ 292, POC J60, Rim 16, Rim 17, discØ 315, POC J61	Diesel	FWD	1956	125	170	11.14-03.17		■	
2.0 CDTi 4x4 (47) (B 20 DTH)	discØ 292, POC J60, Rim 16, Rim 17, discØ 315, POC J61	Diesel	4WD	1956	125	170	11.14-03.17		■	
2.0 CDTi 4x4 (47) (A 20 DTR)	discØ 292, POC J60, Rim 16, Rim 17, discØ 315, POC J61	Diesel	4WD	1956	143	194	09.13-03.17		■	
<b>INSIGNIA A Sports Tourer (G09) 07.08-</b>						<b>Estate (Executive car-E Segment)</b>				
1.4 (35) (A 14 NET)	discØ 292, Rim 16, POC J60   discØ 315, Rim 17, POC J61	Gasolina	FWD	1364	103	140	04.11-03.17		■	
1.4 (35) (B 14 NET)	discØ 292, Rim 16, POC J60   discØ 315, Rim 17, POC J61	Gasolina	FWD	1364	103	140	04.11-03.17		■	
1.6 (35) (A 16 XER)	discØ 292, POC J60, Rim 16, Rim 17, discØ 315, POC J61	Gasolina	FWD	1598	85	116	07.08-06.12		■	
1.6 SIDI (35) (A 16 XHT)	discØ 292, POC J60, Rim 16, Rim 17, discØ 315, POC J61	Gasolina	FWD	1598	125	170	06.13-03.17		■	
1.6 SIDI (35) (B 16 SHL)	discØ 292, POC J60, Rim 16, Rim 17, discØ 315, POC J61	Gasolina	FWD	1598	125	170	06.13-03.17		■	
1.6 Turbo (35) (A 16 LET)	Rim 17, discØ 315, POC J61,J62	Gasolina	FWD	1598	132	180	01.09-06.13		■	
1.8 (35) (A 18 XER)	Solid disc, discØ 292, POC J60, Rim 16, Rim 17, discØ 315, POC J61	Gasolina	FWD	1796	103	140	07.08-03.17		■	
1.8 (35) (B 18 XER)	Solid disc, discØ 292, POC J60, Rim 16, Rim 17, discØ 315, POC J61	Gasolina	FWD	1796	103	140	07.08-03.17		■	
2.0 Turbo (35) (A 20 NFT)	Rim 17, discØ 315, POC J61,J62	Gasolina	FWD	1998	162	220	07.08-06.13		■	
2.0 Turbo (35) (A 20 NHT)	Rim 17, discØ 315, POC J61,J62	Gasolina	FWD	1998	162	220	07.08-06.13		■	
2.0 Turbo 4x4 (35) (A 20 NHT)	Rim 17, discØ 315, POC J61,J62	Gasolina	4WD	1998	162	220	07.08-06.11		■	
2.0 Turbo (35) (A 20 NHT)	Rim 17, discØ 315, POC J61,J62	Gasolina	FWD	1998	184	250	04.14-03.17		■	
2.0 Turbo (35) (B 20 NHT)	Rim 17, discØ 315, POC J61,J62	Gasolina	FWD	1998	184	250	04.14-03.17		■	
2.0 Turbo 4x4 (35) (A 20 NFT)	Rim 17, discØ 315, POC J61,J62	Gasolina	4WD	1998	184	250	09.11-03.17		■	
2.0 Turbo 4x4 (35) (A 20 NHT)	Rim 17, discØ 315, POC J61,J62	Gasolina	4WD	1998	184	250	09.11-03.17		■	
2.0 Turbo 4x4 (35) (B 20 NHT)	Rim 17, discØ 315, POC J61,J62	Gasolina	4WD	1998	184	250	09.11-03.17		■	
2.8 V6 Turbo 4x4 (35) (A 28 NET)	Vented disc, Rim 17, discØ 315, POC J62	Gasolina	4WD	2792	191	260	10.08-06.13		■	
2.8 V6 Turbo OPC 4x4 (35) (A 28 NER)		Gasolina	4WD	2792	239	325	07.09-03.17		■	

# LISTA DE APLICACIONES - BUYERS GUIDE

2.8 V6 Turbo OPC 4x4 (35) (B 28 NER)		Gasolina	4WD	2792	239	325	07.09-03.17	■
1.4 LPG (35) (A 14 NET)	discØ 292, POC J60, Rim 16, Rim 17, discØ 315, POC J61	Gasol./Gas (LPG)	FWD	1364	103	140	09.12-03.17	■
1.4 LPG (35) (B 14 NET)	discØ 292, POC J60, Rim 16, Rim 17, discØ 315, POC J61	Gasol./Gas (LPG)	FWD	1364	103	140	09.12-03.17	■
2.0 E85 Turbo (35) (A 20 NFT)	Rim 17, discØ 315, POC J61, J62	Gasol./Etanol	FWD	1998	162	220	09.10-11.11	■
1.6 CDTi (35) (B 16 DTJ)	discØ 292, POC J60, Rim 16, Rim 17, discØ 315, POC J61	Diesel	FWD	1598	88	120	07.15-01.17	■
1.6 CDTi (35) (B 16 DTH)	discØ 292, POC J60, Rim 16, Rim 17, discØ 315, POC J61	Diesel	FWD	1598	100	136	07.15-12.16	■
2.0 CDTI (35) (A 20 DTC)	Solid disc, discØ 292, POC J60, Rim 16, Rim 17, discØ 315, POC J61	Diesel	FWD	1956	81	110	07.08-06.13	■
2.0 CDTI (35) (A 20 DTL)	Solid disc, discØ 292, POC J60, Rim 16, Rim 17, discØ 315, POC J61	Diesel	FWD	1956	81	110	07.08-06.13	■
2.0 CDTI (35) (A 20 DTE)	discØ 292, POC J60, Rim 16, Rim 17, discØ 315, POC J61	Diesel	FWD	1956	88	120	03.12-06.15	■
2.0 CDTI (35) (A 20 DT)	discØ 292, Solid disc, POC J60, Rim 16, Rim 17, discØ 315, POC J61	Diesel	FWD	1956	96	131	07.08-06.15	■
2.0 CDTI (35) (A 20 DTJ)	discØ 292, Solid disc, POC J60, Rim 16, Rim 17, discØ 315, POC J61	Diesel	FWD	1956	96	131	07.08-06.15	■
2.0 CDTI (35) (A 20 DTE)	discØ 292, POC J60, Rim 16, Rim 17, discØ 315, POC J61	Diesel	FWD	1956	103	140	07.13-06.15	■
2.0 CDTI (35) (A 20 DTH)	discØ 292, POC J60, Rim 16, Rim 17, discØ 315, POC J61	Diesel	FWD	1956	118	160	07.08-06.15	■
2.0 CDTI 4x4 (35) (A 20 DTH)	discØ 292, POC J60, Rim 16, Rim 17, discØ 315, POC J61	Diesel	4WD	1956	118	160	06.10-06.15	■
2.0 CDTI (35) (A 20 DTH)	discØ 292, POC J60, Rim 16, Rim 17, discØ 315, POC J61	Diesel	FWD	1956	120	163	07.13-06.15	■
2.0 CDTI 4x4 (35) (A 20 DTH)	discØ 292, POC J60, Rim 16, Rim 17, discØ 315, POC J61	Diesel	4WD	1956	120	163	07.13-06.15	■
2.0 CDTI (35) (B 20 DTH)	discØ 292, POC J60, Rim 16, Rim 17, discØ 315, POC J61	Diesel	FWD	1956	125	170	11.14-12.16	■
2.0 CDTI 4x4 (35) (B 20 DTH)	discØ 292, POC J60, Rim 16, Rim 17, discØ 315, POC J61	Diesel	4WD	1956	125	170	11.14-12.16	■
2.0 Biturbo CDTI (35) (A 20 DTR)	discØ 292, POC J60, Rim 16, Rim 17, discØ 315, POC J61	Diesel	FWD	1956	140	190	07.08-03.17	■
2.0 Biturbo CDTI 4x4 (35) (A 20 DTR)	discØ 292, POC J60, Rim 16, Rim 17, discØ 315, POC J61	Diesel	4WD	1956	140	190	07.08-03.17	■
2.0 Biturbo CDTI (35) (A 20 DTR)	discØ 292, POC J60, Rim 16, Rim 17, discØ 315, POC J61	Diesel	FWD	1956	143	195	01.12-06.15	■
2.0 Biturbo CDTI 4x4 (35) (A 20 DTR)	discØ 292, POC J60, Rim 16, Rim 17, discØ 315, POC J61	Diesel	4WD	1956	143	195	01.12-06.15	■

## SAAB

<b>9-5 II (YS3G) 01.10-01.12</b>							<b>Saloon (Executive car-E Segment)</b>		
1.6 i 16V 16"	01/10-	Gasolina	FWD	1595	85	116	01.10-	■	
1.6 Turbo (A 16 LET)		Gasolina	FWD	1598	132	180	05.10-01.12	■	
2.0 Turbo (A 20 NHT)	Eq.V_16",17", Type Canada,Mexico,EE.UU	Gasolina	FWD	1998	162	220	05.10-01.12	■	
2.0 Turbo XWD (A 20 NHT)	Eq.V_16",17", Type Canada,Mexico,EE.UU	Gasolina	4WD	1998	162	220	05.10-01.12	■	
2.8 Turbo V6 XWD (A 28 NER)	Eq.V_16",17", Type Canada,Mexico,EE.UU	Gasolina	4WD	2792	221	301	05.10-01.12	■	
2.0 t Biopower (A 20 NFT)	Eq.V_16",17", Type Canada,Mexico,EE.UU	Gasol./Etanol	FWD	1998	162	220	05.10-01.12	■	
2.0 t BioPower XWD (A 20 NHT)	Eq.V_16",17", Type Canada,Mexico,EE.UU	Gasol./Etanol	4WD	1998	162	220	05.10-01.12	■	
2.0 TiD (A 20 DTH)	Eq.V_16",17", Type Canada,Mexico,EE.UU	Diesel	FWD	1956	118	160	05.10-01.12	■	
2.0 TTiD (A 20 DTR)	Eq.V_16",17", Type Canada,Mexico,EE.UU	Diesel	FWD	1956	140	190	05.10-01.12	■	
2.0 TTiD XWD (A 20 DTR)	Eq.V_16",17", Type Canada,Mexico,EE.UU	Diesel	4WD	1956	140	190	05.10-01.12	■	

## VAUXHALL

# LISTA DE APLICACIONES - BUYERS GUIDE

<b>INSIGNIA Mk I (A) (G09) 07.08-05.17</b>						<b>Hatchback (Executive car-E Segment)</b>			
1.4 (68) (A 14 NET)	discØ 292, Rim 16, POC J60, Rim 17, discØ 315, POC J61	Gasolina	FWD	1364	103	140	04.11-05.17	■	
1.4 (68) (B 14 NET)	discØ 292, Rim 16, POC J60, Rim 17, discØ 315, POC J61	Gasolina	FWD	1364	103	140	04.11-05.17	■	
1.6 (A 16 XER)	discØ 292, Rim 16, POC J60, Rim 17, discØ 315, POC J61	Gasolina	FWD	1598	85	116	07.08-07.12	■	
1.6 Turbo (68) (A 16 XHT)	Rim 17, discØ 315, POC J61	Gasolina	FWD	1598	125	170	07.13-05.17	■	
1.6 Turbo (68) (A 16 LET)	Rim 17, discØ 315, POC J61, J62	Gasolina	FWD	1598	132	180	01.09-05.17	■	
1.8 (68) (A 18 XER)	discØ 292, Rim 16, POC J60, Rim 17, discØ 315, POC J61	Gasolina	FWD	1796	103	140	07.08-05.17	■	
1.8 (68) (B 18 XER)	discØ 292, Rim 16, POC J60, Rim 17, discØ 315, POC J61	Gasolina	FWD	1796	103	140	07.08-05.17	■	
2.0 Turbo (68) (A 20 NFT)	Rim 17, discØ 315, POC J61, J62	Gasolina	FWD	1998	162	220	07.08-05.17	■	
2.0 Turbo (68) (A 20 NHT)	Rim 17, discØ 315, POC J61, J62	Gasolina	FWD	1998	162	220	07.08-05.17	■	
2.0 Turbo 4x4 (68) (A 20 NHT)	Rim 17, discØ 315, POC J61, J62	Gasolina	4WD	1998	162	220	07.08-05.17	■	
2.0 Turbo (68) (A 20 NHT)	Rim 17, discØ 315, POC J61, J62	Gasolina	FWD	1998	184	250	07.11-05.17	■	
2.0 Turbo (68) (B 20 NHT)	Rim 17, discØ 315, POC J61, J62	Gasolina	FWD	1998	184	250	07.11-05.17	■	
2.0 Turbo 4x4 (68)		Gasolina	4WD	1998	184	250	09.11-05.17	■	
2.0 Turbo 4x4 (68)		Gasolina	4WD	1998	184	250	07.11-05.17	■	
2.8 V6 Turbo 4x4 (68) (A 28 NET)	Rim 17, discØ 315, POC J62	Gasolina	4WD	2792	191	260	07.08-05.17	■	
2.8 VXR (68) (A 28 NER)	Rim 17, discØ 315, POC J64	Gasolina	4WD	2792	239	325	07.09-05.17	■	
2.8 VXR (68) (B 28 NER)	Rim 17, discØ 315, POC J64	Gasolina	4WD	2792	239	325	07.09-05.17	■	
1.4 LPG (68) (A 14 NET)	discØ 292, Rim 16, POC J60, Rim 17, discØ 315, POC J61	Gasol./Gas (LPG)	FWD	1364	103	140	07.12-05.17	■	
1.6 CDTi (68) (B 16 DTH)	Rim 17, discØ 315, POC J61	Diesel	FWD	1598	100	136	07.15-05.17	■	
2.0 CDTi (68) (A 20 DTE)	Rim 17, discØ 315, POC J61	Diesel	FWD	1956	88	120	03.12-03.16	■	
2.0 CDTi (68) (A 20 DT)	discØ 292, Rim 16, POC J60, Rim 17, discØ 315, POC J61	Diesel	FWD	1956	96	130	07.08-12.14	■	
2.0 CDTi (68) (A 20 DTJ)	discØ 292, Rim 16, POC J60, Rim 17, discØ 315, POC J61	Diesel	FWD	1956	96	130	07.08-12.14	■	
2.0 CDTi (68) (A 20 DTE)	Rim 17, discØ 315, POC J61	Diesel	FWD	1956	103	140	07.13-05.17	■	
2.0 CDTi (68) (A 20 DTH)	discØ 292, Rim 16, POC J60, Rim 17, discØ 315, POC J61	Diesel	FWD	1956	118	160	07.08-05.17	■	
2.0 CDTi 4x4 (68) (A 20 DTH)	discØ 292, Rim 16, POC J60, Rim 17, discØ 315, POC J61	Diesel	4WD	1956	118	160	07.08-05.17	■	
2.0 CDTi (68) (A 20 DTH)	discØ 292, Rim 16, POC J60, Rim 17, discØ 315, POC J61	Diesel	FWD	1956	120	163	07.13-05.17	■	
2.0 CDTi (68) (B 20 DTH)	Rim 17, discØ 315, POC J61	Diesel	FWD	1956	125	170	11.14-05.17	■	
2.0 CDTi 4x4 (68) (B 20 DTH)	discØ 292, Rim 16, POC J60, Rim 17, discØ 315, POC J61	Diesel	4WD	1956	125	170	11.14-05.17	■	
2.0 CDTi (68) (A 20 DTR)	discØ 292, Rim 16, POC J60, Rim 17, discØ 315, POC J61	Diesel	FWD	1956	140	190	10.08-05.17	■	
2.0 CDTi 4x4 (68) (A 20 DTR)	discØ 292, Rim 16, POC J60, Rim 17, discØ 315, POC J61	Diesel	4WD	1956	140	190	05.09-05.17	■	
2.0 Biturbo CDTi (68) (A 20 DTR)	discØ 292, Rim 16, POC J60, Rim 17, discØ 315, POC J61	Diesel	FWD	1956	143	195	03.12-05.17	■	
2.0 Biturbo CDTi 4x4 (68) (A 20 DTR)	discØ 292, Rim 16, POC J60, Rim 17, discØ 315, POC J61	Diesel	4WD	1956	143	195	03.12-05.17	■	
<b>INSIGNIA Mk I (A) (G09) 07.08-05.17</b>						<b>Saloon (Executive car-E Segment)</b>			
1.4 (69) (A 14 NET)	Rim 17, discØ 315, POC J61	Gasolina	FWD	1364	103	140	04.11-05.17	■	
1.6		Gasolina	FWD	1598	85	116	07.08-05.17	■	
1.6 (A 16 XER)	discØ 292, Rim 16, POC J60, Rim 17, discØ 315, POC J61	Gasolina	FWD	1598	85	116	07.08-07.12	■	
1.6 SIDI		Gasolina	FWD	1598	125	170	03.13-05.17	■	
1.6 Turbo (69) (A 16 LET)	Rim 17, discØ 315, POC J61, J62	Gasolina	FWD	1598	132	180	01.09-05.17	■	

# LISTA DE APLICACIONES - BUYERS GUIDE

1.8 (69) (A 18 XER)	discØ 292, Rim 16, POC J60, Rim 17, discØ 315, POC J61	Gasolina	FWD	1796	103	140	07.08-05.17	■	
2.0 Turbo (69) (A 20 NFT)	Rim 17, discØ 315, POC J61, J62	Gasolina	FWD	1998	162	220	07.08-05.17	■	
2.0 Turbo (69) (A 20 NHT)	Rim 17, discØ 315, POC J61, J62	Gasolina	FWD	1998	162	220	07.08-05.17	■	
2.0 Turbo 4x4 (69) (A 20 NHT)	Rim 17, discØ 315, POC J61, J62	Gasolina	4WD	1998	162	220	07.08-05.17	■	
2.0 Turbo (69) (A 20 NHT)	Rim 17, discØ 315, POC J61, J62	Gasolina	FWD	1998	184	250	09.11-05.17	■	
2.0 Turbo (69) (B 20 NHT)	Rim 17, discØ 315, POC J61, J62	Gasolina	FWD	1998	184	250	09.11-05.17	■	
2.0 Turbo 4x4 (69) (A 20 NHT)	Rim 17, discØ 315, POC J61, J62	Gasolina	4WD	1998	184	250	09.11-05.17	■	
2.0 Turbo 4x4 (69) (B 20 NHT)	Rim 17, discØ 315, POC J61, J62	Gasolina	4WD	1998	184	250	09.11-05.17	■	
2.8 V6 Turbo 4x4 (69) (A 28 NET)	Rim 17, discØ 315, POC J62	Gasolina	4WD	2792	191	260	07.08-05.17	■	
2.8 VXR (69) (A 28 NER)	Rim 17, discØ 315, POC J64	Gasolina	4WD	2792	239	325	07.09-05.17	■	
1.4 LPG (69) (A 14 NET)	discØ 292, Rim 16, POC J60, Rim 17, discØ 315, POC J61	Gasol./Gas (LPG)	FWD	1364	103	140	07.12-05.17	■	
1.6 CDTi (69) (B 16 DTH)	Rim 17, discØ 315, POC J61	Diesel	FWD	1598	100	136	07.15-05.17	■	
2.0 CDTi (69)		Diesel	FWD	1956	81	110	07.08-05.17	■	
2.0 CDTi (69) (A 20 DT)	discØ 292, Rim 16, POC J60, Rim 17, discØ 315, POC J61	Diesel	FWD	1956	96	130	07.08-12.14	■	
2.0 CDTi (69) (A 20 DTJ)	discØ 292, Rim 16, POC J60, Rim 17, discØ 315, POC J61	Diesel	FWD	1956	96	130	07.08-12.14	■	
2.0 CDTi (69) (A 20 DTE)	Rim 17, discØ 315, POC J61	Diesel	FWD	1956	103	140	07.13-05.17	■	
2.0 CDTi (69) (A 20 DTH)	discØ 292, Rim 16, POC J60, Rim 17, discØ 315, POC J61	Diesel	FWD	1956	118	160	07.08-05.17	■	
2.0 CDTi 4x4 (69) (A 20 DTH)	discØ 292, Rim 16, POC J60, Rim 17, discØ 315, POC J61	Diesel	4WD	1956	118	160	07.08-05.17	■	
2.0 CDTi (69) (A 20 DTH)	discØ 292, Rim 16, POC J60, Rim 17, discØ 315, POC J61	Diesel	FWD	1956	120	163	07.13-05.17	■	
2.0 CDTi (69) (B 20 DTH)	Rim 17, discØ 315, POC J61	Diesel	FWD	1956	125	170	11.14-05.17	■	
2.0 CDTi 4x4 (69) (B 20 DTH)	discØ 292, Rim 16, POC J60, Rim 17, discØ 315, POC J61	Diesel	4WD	1956	125	170	11.14-05.17	■	
2.0 CDTi (69) (A 20 DTR)	discØ 292, Rim 16, POC J60, Rim 17, discØ 315, POC J61	Diesel	FWD	1956	140	190	11.08-05.17	■	
2.0 CDTi 4x4 (69) (A 20 DTR)	discØ 292, Rim 16, POC J60, Rim 17, discØ 315, POC J61	Diesel	4WD	1956	140	190	05.09-05.17	■	
2.0 Biturbo CDTi (69) (A 20 DTR)	discØ 292, Rim 16, POC J60, Rim 17, discØ 315, POC J61	Diesel	FWD	1956	143	195	03.12-05.17	■	
2.0 Biturbo CDTi 4x4 (69) (A 20 DTR)	discØ 292, Rim 16, POC J60, Rim 17, discØ 315, POC J61	Diesel	4WD	1956	143	195	03.12-05.17	■	
<b>INSIGNIA Mk I (A) Country Tourer (G09) 07.08-05.17</b>							<b>Estate (Executive car-E Segment)</b>		
1.6 Turbo (47) (A 16 XHT)	Rim 17, discØ 315, POC J61	Gasolina	FWD	1598	125	170	07.13-05.17	■	
1.6 Turbo (47) (B 16 SHL)	Rim 17, discØ 315, POC J61	Gasolina	FWD	1598	125	170	07.13-05.17	■	
1.6 CDTi (47) (B 16 DTH)	Rim 17, discØ 315, POC J61   Rim 16, discØ 292, POC J60	Diesel	FWD	1598	100	136	07.15-05.17	■	
2.0 CDTi (47) (A 20 DTH)	discØ 292, Rim 16, POC J60, Rim 17, discØ 315, POC J61	Diesel	FWD	1956	120	163	07.13-05.17	■	
2.0 CDTi (47) (A 20 DTH)	discØ 292, Rim 16, POC J60, Rim 17, discØ 315, POC J61	Diesel	4WD	1956	120	163	07.13-05.17	■	
2.0 CDTi (47) (B 20 DTH)	discØ 292, Rim 16, POC J60, Rim 17, discØ 315, POC J61	Diesel	FWD	1956	125	170	11.14-05.17	■	
2.0 CDTi 4x4 (47) (B 20 DTH)	discØ 292, Rim 16, POC J60, Rim 17, discØ 315, POC J61	Diesel	4WD	1956	125	170	11.14-05.17	■	
2.0 Biturbo CDTi 4x4 (47) (A 20 DTR)	discØ 292, Rim 16, POC J60, Rim 17, discØ 315, POC J61	Diesel	4WD	1956	143	195	09.13-05.17	■	
<b>INSIGNIA Mk I (A) Sports Tourer (G09) 07.08-05.17</b>							<b>Estate (Executive car-E Segment)</b>		
1.4 (35) (A 14 NET)	discØ 292, Rim 16, POC J60, Rim 17, discØ 315, POC J61	Gasolina	FWD	1364	103	140	04.11-05.17	■	
1.4 (35) (B 14 NET)	discØ 292, Rim 16, POC J60, Rim 17, discØ 315, POC J61	Gasolina	FWD	1364	103	140	04.11-05.17	■	
1.6 (A 16 XER)	discØ 292, Rim 16, POC J60, Rim 17, discØ 315, POC J61	Gasolina	FWD	1598	85	116	07.08-07.12	■	

## LISTA DE APLICACIONES - BUYERS GUIDE

1.6 Turbo (35) (A 16 XHT)	Rim 17, discØ 315, POC J61	Gasolina	FWD	1598	125	170	07.13-05.17	■
1.6 Turbo (35) (A 16 LET)	Rim 17, discØ 315, POC J61,J62	Gasolina	FWD	1598	132	180	01.09-05.17	■
1.8 (35) (A 18 XER)	discØ 292, Rim 16, POC J60, Rim 17, discØ 315, POC J61	Gasolina	FWD	1796	103	140	07.08-05.17	■
2.0 Turbo (35) (A 20 NFT)	Rim 17, discØ 315, POC J61,J62	Gasolina	FWD	1998	162	220	07.08-05.17	■
2.0 Turbo (35) (A 20 NHT)	Rim 17, discØ 315, POC J61,J62	Gasolina	FWD	1998	162	220	07.08-05.17	■
2.0 Turbo 4x4 (35) (A 20 NHT)	Rim 17, discØ 315, POC J61,J62	Gasolina	4WD	1998	162	220	07.08-05.17	■
2.0 Turbo (35) (A 20 NHT)	Rim 17, discØ 315, POC J61,J62	Gasolina	FWD	1998	184	250	07.11-05.17	■
2.0 Turbo (35) (B 20 NHT)	Rim 17, discØ 315, POC J61,J62	Gasolina	FWD	1998	184	250	07.11-05.17	■
2.0 Turbo 4x4 (35)		Gasolina	4WD	1998	184	250	09.11-05.17	■
2.0 Turbo 4x4 (35)		Gasolina	4WD	1998	184	250	07.11-05.17	■
2.8 V6 Turbo (35) (A 28 NET)	Rim 17, discØ 315, POC J62	Gasolina	4WD	2792	191	260	08.08-05.17	■
2.8 VXR (35) (A 28 NER)	Rim 17, discØ 315, POC J64	Gasolina	4WD	2792	239	325	07.09-05.17	■
1.4 LPG (35) (A 14 NET)	discØ 292, Rim 16, POC J60, Rim 17, discØ 315, POC J61	Gasol./Gas (LPG)	FWD	1364	103	140	07.12-05.17	■
1.6 CDTi (35) (B 16 DTH)	discØ 292, Rim 16, POC J60, Rim 17, discØ 315, POC J61	Diesel	FWD	1598	100	136	07.15-05.17	■
2.0 CDTI (35) (A 20 DTC)	discØ 292, Rim 16, POC J60, Rim 17, discØ 315, POC J61	Diesel	FWD	1956	81	110	07.08-05.17	■
2.0 CDTI (35) (A 20 DTE)	Rim 17, discØ 315, POC J61	Diesel	FWD	1956	88	120	03.12-03.16	■
2.0 CDTI (35) (A 20 DT)	discØ 292, Rim 16, POC J60, Rim 17, discØ 315, POC J61	Diesel	FWD	1956	96	130	07.08-12.14	■
2.0 CDTI (35) (A 20 DTJ)	discØ 292, Rim 16, POC J60, Rim 17, discØ 315, POC J61	Diesel	FWD	1956	96	130	07.08-12.14	■
2.0 CDTI (35) (A 20 DTE)	Rim 17, discØ 315, POC J61	Diesel	FWD	1956	103	140	07.13-05.17	■
2.0 CDTI (35) (A 20 DTH)	discØ 292, Rim 16, POC J60, Rim 17, discØ 315, POC J61	Diesel	FWD	1956	118	160	07.08-05.17	■
2.0 CDTI 4x4 (35) (A 20 DTH)	discØ 292, Rim 16, POC J60, Rim 17, discØ 315, POC J61	Diesel	4WD	1956	118	160	07.08-05.17	■
2.0 CDTI (35) (A 20 DTH)	discØ 292, Rim 16, POC J60, Rim 17, discØ 315, POC J61	Diesel	FWD	1956	120	163	07.13-05.17	■
2.0 CDTI (35) (B 20 DTH)	discØ 292, Rim 16, POC J60, Rim 17, discØ 315, POC J61	Diesel	FWD	1956	125	170	11.14-05.17	■
2.0 CDTI 4x4 (35) (B 20 DTH)	discØ 292, Rim 16, POC J60, Rim 17, discØ 315, POC J61	Diesel	4WD	1956	125	170	11.14-05.17	■
2.0 CDTI (35) (A 20 DTR)	discØ 292, Rim 16, POC J60, Rim 17, discØ 315, POC J61	Diesel	FWD	1956	140	190	11.08-05.17	■
2.0 CDTI 4x4 (35) (A 20 DTR)	discØ 292, Rim 16, POC J60, Rim 17, discØ 315, POC J61	Diesel	4WD	1956	140	190	05.09-05.17	■
2.0 Biturbo CDTI (35) (A 20 DTR)	discØ 292, Rim 16, POC J60, Rim 17, discØ 315, POC J61	Diesel	FWD	1956	143	195	03.12-05.17	■
2.0 Biturbo CDTI 4x4 (35) (A 20 DTR)	discØ 292, Rim 16, POC J60, Rim 17, discØ 315, POC J61	Diesel	4WD	1956	143	195	03.12-05.17	■