

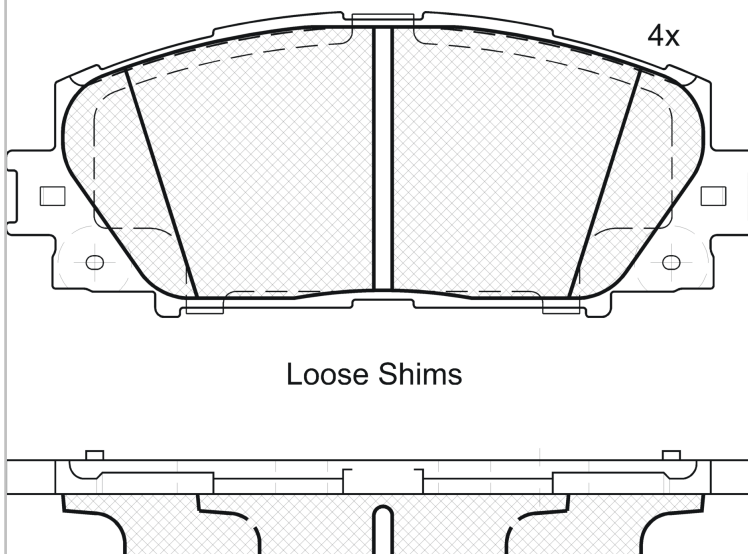
LISTA DE APLICACIONES - BUYERS GUIDE

181938



Qty: 300 Weight: 1.135

O.E.M.	MAKE
04465-0W140	TOYOTA
04465-0W141	LEXUS
04465-47060	TOYOTA
04465-47070	TOYOTA
04465-47080	TOYOTA
04465-47090	TOYOTA
04465-47100	TOYOTA
04465-52320	TOYOTA
04465-B1350	TOYOTA



181938

E 9 90R-01111/2555



Akebono

122.7x49.61x16.3

WVA	FMSI
24451	D1184-8538
MAKE	
DAIHATSU	
GREAT WALL	
LEXUS	
LIFAN	
TOYOTA	
ZHONGHUA (BRILLIANCE)	



Trac.	CC	Kw	CV
-------	----	----	----



Front / Rear

DAIHATSU

MEBIUS 04.13-					MPV (Compact MPV-M1 Segment)			
1.8 Hybrid	Gasol./el éc.	FWD	1797	73	99	04.13-	■	

GREAT WALL

LINGAO 11.09-12.13					Hatchback ()			
1.5	Gasolina	FWD	1497	77	105	11.09-12.13	■	

TENGYI C20R / VOLEEX C20R 09.11-					Hatchback ()			
1.5 (GW4G15)	Gasolina	FWD	1497	78	106	09.11-	■	

TENGYI C30 / VOLEEX C30 05.10-					Saloon ()			
1.5 (GW4G15)	Gasolina	FWD	1497	77	105	05.10-12.11	■	

LEXUS

CT (ZWA10_) 12.10-					Hatchback (Compact car-C Segment)			
200h (ZWA10_) (2ZR-FXE)	Gasol./el éc.	FWD	1798	73	99	12.10-09.20	■	
200h (ZWA10_) (5ZR-FXE)	Gasol./el éc.	FWD	1798	73	99	12.10-09.20	■	
200h (ZWA10_, ZWA10R) (2ZR-FXE)	Gasol./el éc.	FWD	1798	100	136	09.11-	■	

LIFAN

530 10.13-					Saloon ()			
1.3	Gasolina	FWD	1342	69	94	10.13-	■	
1.5 (LF479Q2-B)	Gasolina	FWD	1498	76	103	10.13-	■	

LISTA DE APLICACIONES - BUYERS GUIDE

X50 10.14-					SUV ()			
1.5 (LF479Q2-B)	Gasolina	FWD	1498	76	103	10.14-	■	
TOYOTA								
COROLLA XI / COROLLA FIELDER (_E16_) 05.12-					Estate (Compact executive car-D Segment)			
1.8 (ZRE162G)	Gasolina	FWD	1798	103	140	05.12-	■	
PRIUS III (_W3_) 06.08-					Hatchback (Executive car-E Segment)			
1.8 Hybrid (ZVW3_) (2ZR-FXE)	Gasol./el éc.	FWD	1798	73	99	06.08-	■	
1.8 Hybrid (ZVW30) (2ZR-FXE)	Gasol./el éc.	FWD	1798	100	136	06.08-06.16	■	
1.8 Plug-in Hybrid (ZVW52) (2ZR-FXE)	Gasol./el éc.	FWD	1798	100	136	04.09-12.15	■	
PRIUS III V PLUS / PRIUS ALPHA (_W4_) 05.11-					MPV (Large MPV-M1 Segment)			
1.8 Hybrid (ZVW4_)	Gasol./el éc.	FWD	1798	100	136	05.11-	■	
1.8 Hybrid (ZVW40W, ZVW41W) (2ZR-FXE)	Gasol./el éc.	FWD	1798	100	136	05.11-	■	
PRIUS III C / AQUA (NHP10_) 09.11-					Hatchback (Executive car-E Segment)			
1.5 Hybrid (NHP10) (1NZ-FXE)	Gasol./el éc.	FWD	1497	54	73	12.11-	■	
1.5 Hybrid (NHP10)	Gasol./el éc.	FWD	1497	74	101	09.11-	■	
PRIUS IV (_W5_) 09.15-					Hatchback (Executive car-E Segment)			
1.8 Hybrid (ZVW50_, ZVW51_) (2ZR-FXE)	Gasol./el éc.	FWD	1798	72	98	09.15-	■	
1.8 Hybrid E-Four (ZVW55_, ZVW51_) (2ZR-FXE)	Gasol./el éc.	4WD	1798	72	98	09.15-	■	
1.8 Hybrid (ZVW50, ZVW51) (2ZR-FXE)	Gasol./el éc.	FWD	1798	90	122	09.15-12.22	■	
1.8 Hybrid (ZVW50, ZVW51)	Gasol./el éc.	FWD	1798	90	123	01.16-06.18	■	
Hybrid (ZVW55_)	Gasol./el éc.	4WD	1798	90	122	09.15-12.22	■	
PRIUS IV PHV (_W52_) 01.16-					Hatchback (Executive car-E Segment)			
1.8 Plug-in Hybrid (ZVW52) (2ZR-FXE)	Gasol./el éc.	FWD	1798	90	122	01.16-12.22	■	
1.8 Plug-in Hybrid (ZVW52) (2ZR-FXE)	Gasol./el éc.	FWD	1798	90	122	01.17-12.22	■	
ZHONGHUA (BRILLIANCE)								
H220 11.13-					Hatchback ()			
1.5 (BM15L)	Gasolina	FWD	1498	77	105	11.13-	■	
H230 08.12-					Saloon ()			
1.5	Gasolina	FWD	1498	77	105	08.12-	■	
V3 05.15-					Closed Off-Road Vehicle ()			
1.5	Gasolina	FWD	1498	82	112	05.15-	■	
V5 11.11-					Closed Off-Road Vehicle (Compact SUV-J Segment)			
1.5 T	Gasolina	FWD	1493	100	136	11.11-	■	
1.5 T	Gasolina	FWD	1498	110	150	08.14-	■	
1.5 T A las 4 ruedas	Gasolina	FWD	1498	110	150	08.14-	■	
1.6	Gasolina	FWD	1586	87	118	11.11-	■	