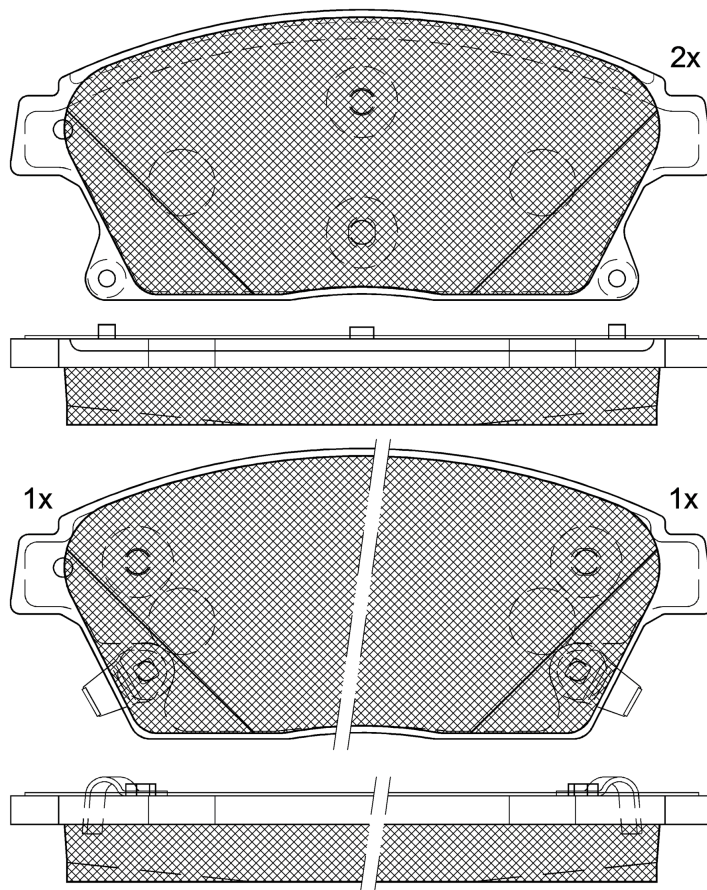


LISTA DE APLICACIONES - BUYERS GUIDE

181939-202



Qty: 300 Weight: 2.070



181939-202

E 9 90R-01111/2805



Bosch

148.1x61.2x18.8

O.E.M.	MAKE
13 301 234	VAUXHALL
13 412 810	VAUXHALL
16 05 135	VAUXHALL
16 05 178	VAUXHALL
16 05 263	OPEL
1680880380	VAUXHALL
22 279 077	OPEL
22 79 907 7	OPEL
22 79 907 8	OPEL
22 799 077	VAUXHALL
2227 9077	CHEVROLET
2279 9077	CHEVROLET
2324 2201	CHEVROLET
42793254	CHEVROLET
5 42 115	OPEL
95 516 193	OPEL
95 530 017	VAUXHALL

WVA	FMSI
25034	D1467-8667
25035	
25036	

MAKE
BUICK
BUICK (SGM)
CADILLAC
CHEVROLET
HOLDEN
NISSAN
OPEL
VAUXHALL



Trac.	CC	Kw	CV
-------	----	----	----



Front / Rear

BUICK

ENCORE SUV 09.12-							SUV (Mini SUV-J Segment)		
1.4 (LUV)		Gasolina	FWD	1364	103	140	09.12-	■	
VERANO (U.S.A.) 09.11-							Saloon (Compact car-C Segment)		
2.0		Gasolina	FWD	1998	186	253	09.13-	■	
2.4		Gasolina	FWD	2384	134	182	09.13-	■	

BUICK (SGM)

ENCORE (SJ2) 07.12-							SUV (Mini SUV-J Segment)		
1.4		Gasolina	FWD	1364	103	140	07.12-11.13	■	
1.4		Gasolina	FWD	1364	103	140	07.12-11.13	■	
1.4 T		Gasolina	FWD	1364	103	140	10.12-	■	
1.4 T A las 4 ruedas		Gasolina	FWD	1364	103	140	10.12-	■	

CADILLAC

ATS 02.13-							Coupe (Luxury car-F Segment)		
2.0	not reinforced brak., not Performance brak	Gasolina	FWD	1998	201	273	02.13-	■	
2.0	not reinforced brak., not Performance brak	Gasolina	FWD	1998	201	273	02.13-	■	
2.0 (LTG)	not reinforced brak., not Performance brak	Gasolina	RWD	1998	203	276	02.13-	■	
2.0 AWD (LTG)	not reinforced brak., not Performance brak	Gasolina	4WD	1998	203	276	02.13-	■	
3.6	not reinforced brak., not Performance brak	Gasolina	FWD	3564	250	340	09.15-	■	
3.6 V (LF4(218CUV6))	not reinforced brak., not Performance brak	Gasolina	RWD	3564	339	461	04.15-	■	
3.6 (LGX)	not reinforced brak., not Performance brak	Gasolina	RWD	3649	250	340	09.15-	■	

LISTA DE APLICACIONES - BUYERS GUIDE

ATS 02.13-					Saloon (Luxury car-F Segment)			
2.0	not reinforced brak., not Performance brak	Gasolina	FWD	1998	201	273	02.13-	■
2.0	not reinforced brak., not Performance brak	Gasolina	FWD	1998	201	273	02.13-	■
2.0 (LTG)	not reinforced brak., not Performance brak	Gasolina	RWD	1998	203	276	02.13-	■
2.0 AWD (LTG)	not reinforced brak., not Performance brak	Gasolina	4WD	1998	203	276	02.13-	■
3.6	not reinforced brak., not Performance brak	Gasolina	FWD	3564	250	340	09.15-	■
3.6 V (LF4(218CUV6))	not reinforced brak., not Performance brak	Gasolina	RWD	3564	339	461	04.15-	■
3.6 (LGX)	not reinforced brak., not Performance brak	Gasolina	RWD	3649	250	340	01.14-	■

CHEVROLET

CRUZE I (J305) 12.10-					Hatchback (Supermini car-B Segment)			
1.4 (A 14 NET)		Gasolina	FWD	1364	103	140	06.12-	■
1.4 (LUJ)		Gasolina	FWD	1364	103	140	06.12-	■
1.4 (LDD)	Rim 16	Gasolina	FWD	1398	74	101	07.13-12.15	■
1.6 (LXT)		Gasolina	FWD	1598	80	109	01.12-	■
1.6 (LDE)	Rim 16	Gasolina	FWD	1598	86	117	12.12-	■
1.6	Rim 16	Gasolina	FWD	1598	89	121	12.12-	■
1.6 (LDE)	Rim 16	Gasolina	FWD	1598	91	124	06.11-	■
1.6 T	Rim 16	Gasolina	FWD	1598	135	184	12.12-	■
1.8 (2H0)	Rim 16	Gasolina	FWD	1796	103	140	10.11-	■
1.8 (2H0)	Rim 16	Gasolina	FWD	1796	104	141	06.11-	■
1.8 Flex	Rim 16	Gasolina	FWD	1796	106	144	10.12-	■
1.8	Rim 16	Gasolina	FWD	1796	108	147	12.12-	■
1.8 LPG (2H0)		Gasol./Gas (LPG)	FWD	1796	104	141	06.11-12.15	■
1.7 TD (LKR)	Rim 16	Diesel	FWD	1686	81	110	08.13-12.15	■
1.7 D (LUD)		Diesel	FWD	1686	96	131	01.12-12.15	■
2.0 CDI		Diesel	RWD	1991	110	150	01.12-	■
2.0 CDI (LNP)	Rim 16	Diesel	FWD	1998	120	163	06.11-	■

CRUZE I (J300) 05.09-					Saloon (Supermini car-B Segment)			
1.4 (LUJ)		Gasolina	FWD	1364	103	140	09.10-	■
1.4 (LDD)	Rim 16	Gasolina	FWD	1398	74	101	07.13-	■
1.4	Rim 16	Gasolina	FWD	1398	103	140	10.13-	■
1.6 (LXT)	Rim 16	Gasolina	FWD	1598	80	109	05.09-	■
1.6 (LDE)	Rim 16	Gasolina	FWD	1598	83	113	05.09-	■
1.6	Rim 16	Gasolina	FWD	1598	86	117	12.12-	■
1.6 (LDE)		Gasolina	FWD	1598	86	117	12.12-	■
1.6	Rim 16	Gasolina	FWD	1598	89	121	12.12-	■
1.6 (LDE)	Rim 16	Gasolina	FWD	1598	91	124	05.09-	■
1.6 T	Rim 16	Gasolina	FWD	1598	135	184	12.12-	■
1.8 (LUW)	Rim 16	Gasolina	FWD	1796	103	140	11.09-	■
1.8 (LWE)	Rim 16	Gasolina	FWD	1796	103	140	11.09-	■
1.8 (2H0)	Rim 16	Gasolina	FWD	1796	104	141	05.09-	■
1.8 Flex	Rim 16	Gasolina	FWD	1796	106	144	01.11-	■
1.8	Rim 16	Gasolina	FWD	1796	108	147	12.12-	■
1.8 LPG (2H0)		Gasol./Gas (LPG)	FWD	1796	104	141	06.11-	■
1.7 TD (LKR)		Diesel	FWD	1686	81	110	11.13-	■
1.7 D (LUD)		Diesel	FWD	1686	96	131	01.12-	■

LISTA DE APLICACIONES - BUYERS GUIDE

2.0 CDI		Diesel	RWD	1956	113	154	09.13-12.15	■	
2.0 CDI		Diesel	FWD	1991	90	123	05.09-	■	
2.0 CDI (LLW)	Rim 16	Diesel	FWD	1991	92	125	05.09-05.11	■	
2.0 CDI (LLW)	Rim 16	Diesel	FWD	1991	110	150	05.09-	■	
2.0 CDI (LNP)	Rim 16	Diesel	FWD	1998	120	163	08.10-	■	
CRUZE I Station Wagon (J308) 08.12-					Estate (Supermini car-B Segment)				
1.4 (LUJ)		Gasolina	FWD	1364	103	140	08.12-	■	
1.4 (LDD)	Rim 16	Gasolina	FWD	1398	74	101	07.13-12.15	■	
1.6 (LDE)		Gasolina	FWD	1598	86	117	12.12-12.15	■	
1.6 (LDE)		Gasolina	FWD	1598	91	124	08.12-12.15	■	
1.8 (2H0)		Gasolina	FWD	1796	104	141	08.12-	■	
1.7 TD (LKR)	discØ 300	Diesel	FWD	1686	81	110	11.13-12.15	■	
1.7 TD (LUD)		Diesel	FWD	1686	96	131	08.12-	■	
2.0 TD (LNP)		Diesel	FWD	1998	120	163	08.12-	■	
ORLANDO (J309) 12.10-					MPV (Compact MPV-M1 Segment)				
1.4 (LUJ)		Gasolina	FWD	1362	103	140	06.12-	■	
1.8 (2H0)		Gasolina	FWD	1796	104	141	02.11-	■	
1.8 LPG (2H0)		Gasol./Gas (LPG)	FWD	1796	104	141	06.11-12.15	■	
2.0 LPG (LTD)		Gasol./Gas (LPG)	FWD	1998	103	140	02.12-	■	
2.0 D (LNP)		Diesel	FWD	1998	96	131	02.11-12.15	■	
2.0 D (LNP)		Diesel	FWD	1998	120	163	02.11-	■	
TRAX / TRACKER 12.12-					SUV (Mini SUV-J Segment)				
1.4 (LUJ)		Gasolina	FWD	1364	103	140	12.12-	■	
1.4 AWD (LUJ)		Gasolina	4WD	1364	103	140	12.12-	■	
1.6 (LDE)		Gasolina	FWD	1598	85	116	12.12-	■	
1.6		Gasolina	FWD	1598	85	116	12.12-	■	
1.8 (2H0)		Gasolina	FWD	1796	103	140	03.13-	■	
1.8 AWD (2H0)		Gasolina	4WD	1796	103	140	03.13-	■	
1.4 LPG (LUJ)		Gasol./Gas (LPG)	FWD	1364	103	140	04.13-	■	
1.6 D (LVL)		Diesel	FWD	1598	100	136	11.14-12.15	■	
1.6 D AWD (LVL)		Diesel	4WD	1598	100	136	11.14-12.15	■	
1.7 TD (LUD)		Diesel	FWD	1686	96	131	12.12-	■	
1.7 TD AWD (LUD)		Diesel	4WD	1686	96	131	12.12-	■	
VOLT 04.11-					Hatchback (Compact car-C Segment)				
EV 150 (LUU)	-12/15	Gasol./eléc.	FWD	1398	111	151	11.11-	■	
HOLDEN									
CRUZE II (JH) 06.12-					Estate (Supermini car-B Segment)				
1.8 i	Rim 16, Syst. J60	Gasolina	FWD	1796	104	141	06.12-	■	
2.0 DTFi	Rim 16, Syst. J60	Diesel	RWD	1991	120	163	06.12-	■	
CRUZE II (JG) 06.09-03.11					Saloon (Supermini car-B Segment)				
1.4 i Turbo		Gasolina	FWD	1364	103	140	03.11-	■	
TRAX (TJ) 10.13-					Closed Off-Road Vehicle (Compact SUV-J Segment)				
1.8		Gasolina	FWD	1796	103	140	01.14-	■	
VOLT (EV) 04.11-					Saloon (Compact car-C Segment)				
EV 150		Gasolina	FWD		111	151	11.11-	■	
NISSAN									

LISTA DE APLICACIONES - BUYERS GUIDE

ROGUE 01.07-12.15						SUV (Compact SUV-J Segment)			
2.5	discØ 300	Gasolina	FWD	2488	124	169	01.10-11.13	■	
2.5 AWD	discØ 300	Gasolina	4WD	2488	124	169	01.10-11.13	■	
2.5	discØ 300	Gasolina	FWD	2488	125	170	01.10-11.13	■	
2.5 AWD (QR25DE)	discØ 300	Gasolina	4WD	2488	125	170	01.10-11.13	■	
OPEL									
AMPERA (R12) 11.11-						Hatchback (Compact car-C Segment)			
EV 150 (A 14 XFL)		Gasol./el éc.	FWD	1398	111	151	11.11-03.15	■	
ASTRA J (P10) 09.09-10.15						Estate Van (Compact car-C Segment)			
1.3 CDTi (35) (A 13 DTE)	discØ 300	Diesel	FWD	1248	70	95	10.12-10.15	■	
1.6 CDTi (35) (B 16 DTL)		Diesel	FWD	1598	81	110	01.14-10.15	■	
1.7 CDTi (35) (A 17 DTF)	discØ 300	Diesel	FWD	1686	96	131	10.12-10.15	■	
1.7 CDTi (35) (A 17 DTS)	discØ 300	Diesel	FWD	1686	96	131	10.12-10.15	■	
2.0 CDTi (35) (A 20 DTH)	discØ 300	Diesel	FWD	1956	121	165	10.12-10.15	■	
ASTRA J (P10) 09.09-10.15						Hatchback Van (Compact car-C Segment)			
1.3 CDTi (68) (A 13 DTE)	discØ 300	Diesel	FWD	1248	70	95	05.13-10.15	■	
1.6 CDTi (68) (B 16 DTL)		Diesel	FWD	1598	81	110	01.14-10.15	■	
1.6 CDTi		Diesel	FWD	1598	100	136	05.13-10.15	■	
1.7 CDTi (68) (A 17 DTC)	discØ 300	Diesel	FWD	1686	81	110	05.13-10.15	■	
1.7 CDTi (68) (A 17 DTE)	discØ 300	Diesel	FWD	1686	81	110	05.13-10.15	■	
ASTRA J (P10) 09.09-04.16						Hatchback (Compact car-C Segment)			
1.4 Turbo (68) (A 14 NEL)	discØ 300	Gasolina	FWD	1364	88	120	10.10-10.15	■	
1.4 Turbo (68) (B 14 NEL)	discØ 300	Gasolina	FWD	1364	88	120	10.10-10.15	■	
1.4 Turbo (68) (A 14 NET)	discØ 300	Gasolina	FWD	1364	103	140	12.09-10.15	■	
1.4 Turbo (68) (B 14 NET)	discØ 300	Gasolina	FWD	1364	103	140	12.09-10.15	■	
1.4 (68) (A 14 XEL)	discØ 300	Gasolina	FWD	1398	64	87	12.09-10.15	■	
1.4 (68) (A 14 XER)	discØ 300	Gasolina	FWD	1398	74	100	12.09-10.15	■	
1.4 (68) (B 14 XER)	discØ 300	Gasolina	FWD	1398	74	100	12.09-10.15	■	
1.6 (68) (A 16 XER)	discØ 300	Gasolina	FWD	1598	85	115	12.09-10.15	■	
1.6 (68) (B 16 XER)	discØ 300	Gasolina	FWD	1598	85	115	12.09-10.15	■	
1.6 SIDI (68) (A 16 XHT)		Gasolina	FWD	1598	125	170	12.12-10.15	■	
1.6 SIDI (68) (B 16 SHL)		Gasolina	FWD	1598	125	170	12.12-10.15	■	
1.6 Turbo (68) (A 16 LET)	discØ 300	Gasolina	FWD	1598	132	180	12.09-10.15	■	
1.6 Turbo 4x4 (68) (A 16 LET)	discØ 300	Gasolina	4WD	1598	132	180	12.09-10.15	■	
1.4 LPG (68) (A 14 NET)		Gasol./Gas (LPG)	FWD	1364	103	140	01.12-10.15	■	
1.3 CDTi (68) (A 13 DTE)	discØ 300	Diesel	FWD	1248	70	95	12.09-10.15	■	
1.6 CDTi (68) (B 16 DTL)		Diesel	FWD	1598	81	110	02.14-10.15	■	
1.6 CDTi (68) (B 16 DTH)		Diesel	FWD	1598	100	136	11.13-10.15	■	
1.7 CDTi (68)	discØ 300	Diesel	FWD	1686	74	101	10.10-10.15	■	
1.7 CDTi (68) (A 17 DTC)	discØ 300	Diesel	FWD	1686	81	110	09.09-10.15	■	
1.7 CDTi (68) (A 17 DTE)	discØ 300	Diesel	FWD	1686	81	110	09.09-10.15	■	
1.7 CDTi (68) (A 17 DTJ)	discØ 300	Diesel	FWD	1686	81	110	09.09-10.15	■	
1.7 CDTi (68) (A 17 DTR)	discØ 300	Diesel	FWD	1686	92	125	12.09-10.15	■	
1.7 CDTi (68) (A 17 DTF)	discØ 300	Diesel	FWD	1686	96	131	07.11-10.15	■	
1.7 CDTi (68) (A 17 DTS)	discØ 300	Diesel	FWD	1686	96	131	07.11-10.15	■	
2.0 CDTi (68) (A 20 DTH)	discØ 300	Diesel	FWD	1956	118	160	09.09-10.15	■	
2.0 CDTi (68) (A 20 DTH)	discØ 300	Diesel	FWD	1956	121	165	06.11-10.15	■	

LISTA DE APLICACIONES - BUYERS GUIDE

ASTRA J 06.12-						Saloon (Compact car-C Segment)			
1.4 Turbo (69) (A 14 NEL)	Rim 16, discØ 300	Gasolina	FWD	1364	88	120	06.12-10.15	■	
1.4 Turbo (69) (B 14 NEL)	Rim 16, discØ 300	Gasolina	FWD	1364	88	120	06.12-10.15	■	
1.4 Turbo (69) (A 14 NET)	Rim 16, discØ 300	Gasolina	FWD	1364	103	140	06.12-06.18	■	
1.4 Turbo (69) (B 14 NET)	Rim 16, discØ 300	Gasolina	FWD	1364	103	140	06.12-06.18	■	
1.4 (A 14 XEL)	discØ 300	Gasolina	FWD	1398	64	87	01.14-10.15	■	
1.4 (69) (A 14 XER)	Rim 16, discØ 300	Gasolina	FWD	1398	74	101	06.12-10.15	■	
1.4 (69) (B 14 XER)	Rim 16, discØ 300	Gasolina	FWD	1398	74	101	06.12-10.15	■	
1.6 (69) (A 16 XER)	Rim 16, discØ 300	Gasolina	FWD	1598	85	116	06.12-06.18	■	
1.6 (69) (B 16 XER)	Rim 16, discØ 300	Gasolina	FWD	1598	85	116	06.12-06.18	■	
1.6 SIDI (69) (A 16 XHT)	Rim 16, discØ 300	Gasolina	FWD	1598	125	170	06.12-10.15	■	
1.6 Turbo (69) (A 16 LET)	Rim 16, discØ 300	Gasolina	FWD	1598	132	180	06.12-10.13	■	
1.3 CDTI (69) (A 13 DTE)	Rim 16, discØ 300	Diesel	FWD	1248	70	95	06.12-10.15	■	
1.6 CDTi (69) (B 16 DTL)	Rim 16, discØ 300	Diesel	FWD	1598	81	110	04.14-06.18	■	
1.6 CDTi (69) (B 16 DTH)	Rim 16, discØ 300	Diesel	FWD	1598	100	136	01.14-06.18	■	
1.7 CDTI (69) (A 17 DTC)	Rim 16, discØ 300	Diesel	FWD	1686	81	110	06.12-10.15	■	
1.7 CDTI (69) (A 17 DTE)	Rim 16, discØ 300	Diesel	FWD	1686	81	110	06.12-10.15	■	
1.7 CDTI (69) (A 17 DTJ)	Rim 16, discØ 300	Diesel	FWD	1686	81	110	06.12-10.15	■	
1.7 CDTI (69) (A 17 DTF)	Rim 16, discØ 300	Diesel	FWD	1686	96	131	06.12-10.15	■	
1.7 CDTI (69) (A 17 DTS)	Rim 16, discØ 300	Diesel	FWD	1686	96	131	06.12-10.15	■	
ASTRA J GTC 10.11-						Hatchback (Compact car-C Segment)			
1.4 (08) (A 14 NEL)		Gasolina	FWD	1364	88	120	10.11-04.18	■	
1.4 (08) (B 14 NEL)		Gasolina	FWD	1364	88	120	10.11-04.18	■	
1.4 Turbo (08) (A 14 NET)		Gasolina	FWD	1364	103	140	10.11-04.18	■	
1.4 Turbo (08) (B 14 NET)		Gasolina	FWD	1364	103	140	10.11-04.18	■	
1.4 (08) (A 14 XER)		Gasolina	FWD	1398	74	101	10.11-11.13	■	
1.6 SIDI (08) (A 16 XHT)		Gasolina	FWD	1598	125	170	12.12-04.18	■	
1.6 SIDI (08) (B 16 SHL)		Gasolina	FWD	1598	125	170	12.12-04.18	■	
1.6 Turbo (08) (A 16 LET)		Gasolina	FWD	1598	132	180	10.11-06.13	■	
1.8 (08) (A 18 XER)		Gasolina	FWD	1796	103	140	10.11-10.13	■	
2.0 OPC Turbo (08) (A 20 NFT)		Gasolina	FWD	1998	206	280	04.12-04.18	■	
2.0 OPC Turbo (08) (B 20 NFT)		Gasolina	FWD	1998	206	280	04.12-04.18	■	
1.6 CDTI (08) (B 16 DTL)		Diesel	FWD	1598	81	110	07.14-04.18	■	
1.6 CDTI (08) (B 16 DTH)		Diesel	FWD	1598	100	136	07.14-04.18	■	
1.7 CDTI (08) (A 17 DTC)		Diesel	FWD	1686	81	110	03.12-10.13	■	
1.7 CDTI (08) (A 17 DTE)		Diesel	FWD	1686	81	110	03.12-10.13	■	
1.7 CDTI (08) (A 17 DTJ)		Diesel	FWD	1686	81	110	03.12-10.13	■	
1.7 CDTI (08) (A 17 DTF)		Diesel	FWD	1686	96	131	03.12-06.14	■	
1.7 CDTI (08) (A 17 DTS)		Diesel	FWD	1686	96	131	03.12-06.14	■	
2.0 CDTI (08) (A 20 DTH)		Diesel	FWD	1956	96	131	01.12-10.15	■	
2.0 CDTI (08) (A 20 DTH)		Diesel	FWD	1956	121	165	01.12-06.15	■	
ASTRA J Sports Tourer (P10) 10.10-						Estate (Compact car-C Segment)			
1.4 Turbo (35) (A 14 NEL)	discØ 300	Gasolina	FWD	1364	88	120	10.10-10.15	■	
1.4 Turbo (35) (B 14 NEL)	discØ 300	Gasolina	FWD	1364	88	120	10.10-10.15	■	
1.4 Turbo (35) (A 14 NET)	discØ 300	Gasolina	FWD	1364	103	140	10.10-10.15	■	
1.4 Turbo (35) (B 14 NET)	discØ 300	Gasolina	FWD	1364	103	140	10.10-10.15	■	
1.4 (35) (A 14 XER)	discØ 300	Gasolina	FWD	1398	74	101	10.10-10.15	■	
1.4 (35) (B 14 XER)	discØ 300	Gasolina	FWD	1398	74	101	10.10-10.15	■	
1.6 (35) (A 16 XER)	discØ 300	Gasolina	FWD	1598	85	116	10.10-10.15	■	
1.6 (35) (B 16 XER)	discØ 300	Gasolina	FWD	1598	85	116	10.10-10.15	■	

LISTA DE APLICACIONES - BUYERS GUIDE

1.6 SIDI (35) (A 16 XHT)		Gasolina	FWD	1598	125	170	12.12-10.15	■
1.6 SIDI (35) (B 16 SHL)		Gasolina	FWD	1598	125	170	12.12-10.15	■
1.6 Turbo (35) (A 16 LET)	discØ 300	Gasolina	FWD	1598	132	180	10.10-10.15	■
1.4 LPG (35) (A 14 NET)		Gasol./Gas (LPG)	FWD	1364	103	140	12.11-10.15	■
1.3 CDTI (35) (A 13 DTE)	discØ 300	Diesel	FWD	1248	70	95	10.10-10.14	■
1.6 CDTi (35) (B 16 DTL)		Diesel	FWD	1598	81	110	02.14-10.15	■
1.6 CDTi (35) (B 16 DTH)		Diesel	FWD	1598	100	136	11.13-10.15	■
1.7 CDTI (35) (A 17 DTL)	Syst. J60	Diesel	FWD	1686	74	101	10.10-10.15	■
1.7 CDTI (35) (A 17 DTN)	Syst. J60	Diesel	FWD	1686	74	101	10.10-10.15	■
1.7 CDTI (35) (A 17 DTC)	discØ 300	Diesel	FWD	1686	81	110	10.10-10.15	■
1.7 CDTI (35) (A 17 DTE)	discØ 300	Diesel	FWD	1686	81	110	10.10-10.15	■
1.7 CDTI (35) (A 17 DTJ)	discØ 300	Diesel	FWD	1686	81	110	10.10-10.15	■
1.7 CDTI (35) (A 17 DTR)	discØ 300	Diesel	FWD	1686	92	125	10.10-10.15	■
1.7 CDTI (35) (A 17 DTF)	discØ 300	Diesel	FWD	1686	96	131	10.10-10.15	■
1.7 CDTI (35) (A 17 DTS)	discØ 300	Diesel	FWD	1686	96	131	10.10-10.15	■
2.0 CDTI (35)		Diesel	FWD	1956	96	131	01.14-10.15	■
2.0 CDTI (35) (A 20 DTH)	discØ 300	Diesel	FWD	1956	118	160	10.10-10.15	■
2.0 CDTI (35) (A 20 DTH)	discØ 300	Diesel	FWD	1956	121	165	08.11-10.15	■
MOKKA / MOKKA X (J13) 06.12-				SUV (Mini SUV-J Segment)				
1.4 (_76) (A 14 NET)		Gasolina	FWD	1364	103	140	04.13-12.19	■
1.4 (_76) (B 14 NET)		Gasolina	FWD	1364	103	140	04.13-12.19	■
1.4 (_76) (D 14 NET)		Gasolina	FWD	1364	103	140	04.13-12.19	■
1.4 4x4 (_76) (A 14 NET)		Gasolina	4WD	1364	103	140	06.12-12.19	■
1.4 4x4 (_76) (B 14 NET)		Gasolina	4WD	1364	103	140	06.12-12.19	■
1.4 4x4 (_76) (D 14 NET)		Gasolina	4WD	1364	103	140	06.12-12.19	■
1.4 4x4 (_76) (B 14 XFT)		Gasolina	4WD	1399	112	152	06.16-12.19	■
1.6 (_76) (A 16 XER)		Gasolina	FWD	1598	85	116	06.12-12.19	■
1.6 (_76) (B 16 XER)		Gasolina	FWD	1598	85	116	06.12-12.19	■
1.6 (_76) (D 16 XER)		Gasolina	FWD	1598	85	116	06.12-12.19	■
1.8 (_76) (A 18 XER)		Gasolina	FWD	1796	103	140	01.13-12.19	■
1.8 4x4 (_76) (A 18 XER)		Gasolina	4WD	1796	103	140	01.13-12.19	■
1.4 LPG (_76) (A 14 NET)		Gasol./Gas (LPG)	FWD	1364	103	140	04.13-12.19	■
1.4 LPG (_76) (B 14 NET)		Gasol./Gas (LPG)	FWD	1364	103	140	04.13-12.19	■
1.4 LPG (_76) (D 14 NET)		Gasol./Gas (LPG)	FWD	1364	103	140	04.13-12.19	■
1.6 CDTI (_76) (B 16 DTN)		Diesel	FWD	1598	81	110	06.15-12.19	■
1.6 CDTI (_76) (B 16 DTU)		Diesel	FWD	1598	81	110	06.15-12.19	■
1.6 CDTI (_76) (A 16 DTH)		Diesel	FWD	1598	100	136	01.15-12.19	■
1.6 CDTI (_76) (B 16 DTH)		Diesel	FWD	1598	100	136	01.15-12.19	■
1.6 CDTI (_76) (D 16 DTH)		Diesel	FWD	1598	100	136	01.15-12.19	■
1.6 CDTI 4x4 (_76) (B 16 DTH)		Diesel	4WD	1598	100	136	01.15-12.19	■
1.6 CDTI 4x4 (_76) (D 16 DTH)		Diesel	4WD	1598	100	136	01.15-12.19	■
1.7 CDTI (_76) (A 17 DTS)		Diesel	FWD	1686	96	131	06.12-12.19	■
1.7 CDTI 4x4 (_76) (A 17 DTS)		Diesel	4WD	1686	96	131	06.12-12.19	■
MOKKA / MOKKA X VAN (J13) 06.12-				SUV Van (Mini SUV-J Segment)				
1.6 CDTi (76)		Diesel	FWD	1598	100	136	03.18-	■
ZAFIRA Tourer C (P12) 10.11-				MPV (Compact MPV-M1 Segment)				
1.4 (75) (A 14 NEL)	Syst. POC J60	Gasolina	FWD	1364	88	120	10.11-05.18	■
1.4 (75) (B 14 NEL)	Syst. POC J60	Gasolina	FWD	1364	88	120	10.11-05.18	■

LISTA DE APLICACIONES - BUYERS GUIDE

1.4 (75) (A 14 NET)	Syst. POC J60	Gasolina	FWD	1364	103	140	10.11-05.18	■
1.4 (75) (B 14 NET)	Syst. POC J60	Gasolina	FWD	1364	103	140	10.11-05.18	■
1.6 (75) (D 16 SHJ)		Gasolina	FWD	1598	100	136	09.18-07.19	■
1.6 (75) (A 16 XHT)	Syst. POC J60	Gasolina	FWD	1598	125	170	12.12-03.19	■
1.6 (75) (B 16 SHL)	Syst. POC J60	Gasolina	FWD	1598	125	170	12.12-03.19	■
1.6 (75) (D 16 SHL)	Syst. POC J60	Gasolina	FWD	1598	125	170	12.12-03.19	■
1.6 SIDI (75) (A 16 SHT)		Gasolina	FWD	1598	147	200	07.13-05.18	■
1.6 SIDI (75) (B 16 SHT)		Gasolina	FWD	1598	147	200	07.13-05.18	■
1.8 (75) (A 18 XEL)	Syst. POC J60	Gasolina	FWD	1796	85	115	10.11-06.15	■
1.8	Syst. POC J60	Gasolina	FWD	1796	88	120	10.11-	■
1.8 (75) (A 18 XER)	Syst. POC J60	Gasolina	FWD	1796	103	140	10.11-05.18	■
1.4 LPG (75) (A 14 NET)	Syst. POC J60	Gasol./Gas (LPG)	FWD	1364	103	140	10.11-05.18	■
1.4 LPG (75) (B 14 NET)	Syst. POC J60	Gasol./Gas (LPG)	FWD	1364	103	140	10.11-05.18	■
1.8 LPG (75)	Syst. POC J60	Gasol./Gas (LPG)	FWD	1796	101	137	10.11-	■
1.6 CNG (75) (A 16 XNT)	Syst. POC J60	Gasol./Gas (CNG)	FWD	1598	110	150	10.11-05.18	■
1.6 CNG (75) (B 16 XNT)	Syst. POC J60	Gasol./Gas (CNG)	FWD	1598	110	150	10.11-05.18	■
1.6 CDTi (75) (B 16 DTJ)		Diesel	FWD	1598	88	120	07.14-11.18	■
1.6 CDTi (75) (D 16 DTJ)		Diesel	FWD	1598	88	120	07.14-11.18	■
1.6 CDTi (75) (B 16 DTH)		Diesel	FWD	1598	99	134	07.13-03.19	■
1.6 CDTi (75) (D 16 DTH)		Diesel	FWD	1598	99	134	07.13-03.19	■
1.6 CDTi (75) (B 16 DTH)	Syst. POC J60	Diesel	FWD	1598	100	136	02.13-05.16	■
2.0 CDTi (75) (A 20 DTL)	Syst. POC J60	Diesel	FWD	1956	81	110	10.11-10.14	■
2.0 CDTi (75) (A 20 DT)	Syst. POC J60	Diesel	FWD	1956	96	130	10.11-11.18	■
2.0 CDTi (75) (B 20 DTJ)	Syst. POC J60	Diesel	FWD	1956	96	130	10.11-11.18	■
2.0 CDTi (75) (D 20 DTJ)	Syst. POC J60	Diesel	FWD	1956	96	130	10.11-11.18	■
2.0 CDTi (75) (Y 20 DTJ)	Syst. POC J60	Diesel	FWD	1956	96	130	10.11-11.18	■
2.0 CDTi (75) (Z 20 DTJ)	Syst. POC J60	Diesel	FWD	1956	96	130	10.11-11.18	■
2.0 CDTi (75)	Syst. POC J60	Diesel	FWD	1956	118	160	10.11-	■
2.0 CDTi (75) (A 20 DTH)	Syst. POC J60	Diesel	FWD	1956	121	165	10.11-10.14	■
2.0 CDTi (75) (B 20 DTH)		Diesel	FWD	1956	125	170	11.14-03.19	■
2.0 CDTi (75) (D 20 DTH)		Diesel	FWD	1956	125	170	11.14-03.19	■
2.0 BiTurbo CDTi (75) (A 20 DTR)	Rim 16	Diesel	FWD	1956	143	194	01.13-10.14	■
ZAFIRA TOURER C VAN (P12) 10.11-					Box Body/MPV (Compact MPV-M1 Segment)			
2.0 CDTi (75)		Diesel	FWD	1956	81	110	01.13-10.14	■
2.0 CDTi (75)		Diesel	FWD	1956	96	131	01.12-10.14	■
2.0 CDTi (75)		Diesel	FWD	1956	121	165	01.13-10.14	■
VAUXHALL								
AMPERA (R12) 03.12-					Hatchback (Compact car-C Segment)			
EV 150 (D1JOI) (4ET50)		Gasol./eléc.	FWD	1398	111	151	03.12-	■
EV 150 (D1JOI) (A 14 XFL)		Gasol./eléc.	FWD	1398	111	151	03.12-	■
ASTRA Mk VI (J) (P10) 10.10-					Estate (Compact car-C Segment)			
1.4 Turbo (A 14 NET)		Gasolina	FWD	1364	103	140	10.10-10.15	■
1.4 (A 14 XER)		Gasolina	FWD	1398	74	101	10.10-10.15	■
1.4 (B 14 XER)		Gasolina	FWD	1398	74	101	10.10-10.15	■
1.6 (A 16 XER)		Gasolina	FWD	1598	85	116	10.10-10.15	■

LISTA DE APLICACIONES - BUYERS GUIDE

1.6 (B 16 XER)		Gasolina	FWD	1598	85	116	10.10-10.15	■	
1.6 SIDI	discØ 300	Gasolina	FWD	1598	125	170	12.12-10.15	■	
1.6 Turbo (A 16 LET)		Gasolina	FWD	1598	132	180	10.10-10.15	■	
1.3 CDTi (A 13 DTE)		Diesel	FWD	1248	70	95	10.10-10.15	■	
1.6 CDTi (B 16 DTL)		Diesel	FWD	1598	81	110	01.14-10.15	■	
1.6 CDTi (B 16 DTH)		Diesel	FWD	1598	100	136	01.14-10.15	■	
1.7 CDTi		Diesel	RWD	1686	74	101	10.10-	■	
1.7 CDTi (A 17 DTC)		Diesel	FWD	1686	81	110	10.10-10.15	■	
1.7 CDTi (A 17 DTE)		Diesel	FWD	1686	81	110	10.10-10.15	■	
1.7 CDTi (A 17 DTJ)		Diesel	FWD	1686	81	110	10.10-10.15	■	
1.7 CDTi (A 17 DTR)		Diesel	FWD	1686	92	125	10.10-10.15	■	
1.7 CDTi (A 17 DTF)		Diesel	FWD	1686	96	131	06.11-10.15	■	
1.7 CDTi (A 17 DTS)		Diesel	FWD	1686	96	131	06.11-10.15	■	
2.0 CDTi (A 20 DTH)		Diesel	FWD	1956	118	160	10.10-06.11	■	
2.0 CDTi (A 20 DTH)		Diesel	FWD	1956	121	165	08.11-10.15	■	
ASTRA Mk VI (J) (P10) 12.09-							Hatchback (Compact car-C Segment)		
1.4 Turbo (A 14 NEL)		Gasolina	FWD	1364	88	120	08.10-10.15	■	
1.4 Turbo (A 14 NET)		Gasolina	FWD	1364	103	140	12.09-10.15	■	
1.4 Turbo (B 14 NET)		Gasolina	FWD	1364	103	140	12.09-10.15	■	
1.4 Turbo (D 14 NET)		Gasolina	FWD	1364	103	140	12.09-10.15	■	
1.4 (A 14 XEL)		Gasolina	FWD	1398	64	87	12.09-10.15	■	
1.4 (A 14 XER)		Gasolina	FWD	1398	74	100	12.09-10.15	■	
1.4 (B 14 XER)		Gasolina	FWD	1398	74	100	12.09-10.15	■	
1.6 (A 16 XER)		Gasolina	FWD	1598	85	115	12.09-10.15	■	
1.6 (B 16 XER)		Gasolina	FWD	1598	85	115	12.09-10.15	■	
1.6 SIDI	discØ 300	Gasolina	FWD	1598	125	170	12.12-10.15	■	
1.6 Turbo (A 16 LET)		Gasolina	FWD	1598	132	180	12.09-10.15	■	
1.3 CDTi (A 13 DTE)		Diesel	FWD	1248	70	95	12.09-10.15	■	
1.6 CDTi (B 16 DTL)		Diesel	FWD	1598	81	110	11.13-10.15	■	
1.6 CDTi (B 16 DTH)		Diesel	FWD	1598	100	136	11.13-10.15	■	
1.7 CDTi		Diesel	RWD	1686	74	101	12.09-	■	
1.7 CDTi (A 17 DTL)		Diesel	FWD	1686	74	101	10.10-10.15	■	
1.7 CDTi (A 17 DTC)		Diesel	FWD	1686	81	110	12.09-10.15	■	
1.7 CDTi (A 17 DTE)		Diesel	FWD	1686	81	110	12.09-10.15	■	
1.7 CDTi (A 17 DTJ)		Diesel	FWD	1686	81	110	12.09-10.15	■	
1.7 CDTi (A 17 DTR)		Diesel	FWD	1686	92	125	12.09-10.15	■	
1.7 CDTi (A 17 DTF)		Diesel	FWD	1686	96	131	06.11-10.15	■	
1.7 CDTi (A 17 DTS)		Diesel	FWD	1686	96	131	06.11-10.15	■	
2.0 CDTi (A 20 DTH)		Diesel	FWD	1956	118	160	12.09-06.11	■	
2.0 CDTi (A 20 DTH)		Diesel	FWD	1956	121	165	08.11-10.15	■	
ASTRA Mk VI (J) (P10) 06.12-							Saloon (Compact car-C Segment)		
1.4 Turbo (A 14 NET)	Rim 16, discØ 300	Gasolina	FWD	1364	103	140	06.12-10.15	■	
1.4 (A 14 XER)	Rim 16, discØ 300	Gasolina	FWD	1398	74	101	06.12-10.15	■	
1.6 (A 16 XER)	Rim 16, discØ 300	Gasolina	FWD	1598	85	116	06.12-10.15	■	
1.6 SIDI	Rim 16, discØ 300	Gasolina	FWD	1598	125	170	12.12-	■	
1.6 SIDI	discØ 300	Gasolina	FWD	1598	125	170	06.12-10.15	■	
1.6 Turbo (A 16 LET)	Rim 16, discØ 300	Gasolina	FWD	1598	132	180	06.12-10.15	■	
1.3 CDTi (A 13 DTE)	Rim 16, discØ 300	Diesel	FWD	1248	70	95	06.12-10.15	■	
1.7 CDTi (A 17 DTC)	Rim 16, discØ 300	Diesel	FWD	1686	81	110	06.12-10.15	■	
1.7 CDTi (A 17 DTE)	Rim 16, discØ 300	Diesel	FWD	1686	81	110	06.12-10.15	■	

LISTA DE APLICACIONES - BUYERS GUIDE

1.7 CDTi (A 17 DTJ)	Rim 16, discØ 300	Diesel	FWD	1686	81	110	06.12-10.15	■	
1.7 CDTi (A 17 DTF)	Rim 16, discØ 300	Diesel	FWD	1686	96	131	06.12-10.15	■	
1.7 CDTi (A 17 DTS)	Rim 16, discØ 300	Diesel	FWD	1686	96	131	06.12-10.15	■	
2.0 BiTurbo CDTI	Rim 16, discØ 300	Diesel	FWD	1956	143	194	12.12-	■	
ASTRA Mk VI (J) GTC (P10) 10.11-							Hatchback (Compact car-C Segment)		
1.4 (A 14 NEL)		Gasolina	FWD	1364	88	120	10.11-10.18	■	
1.4 (B 14 NEL)		Gasolina	FWD	1364	88	120	10.11-10.18	■	
1.4 (A 14 NET)		Gasolina	FWD	1364	103	140	10.11-04.18	■	
1.4 (B 14 NET)		Gasolina	FWD	1364	103	140	10.11-04.18	■	
1.4 (A 14 XER)		Gasolina	FWD	1398	74	101	10.11-10.18	■	
1.6 SIDI	discØ 300	Gasolina	FWD	1598	125	170	09.13-10.18	■	
1.6 (A 16 LET)		Gasolina	FWD	1598	132	180	10.11-10.18	■	
2.0 VXR (A 20 NFT)		Gasolina	FWD	1998	206	280	04.12-10.18	■	
2.0 VXR (B 20 NFT)		Gasolina	FWD	1998	206	280	04.12-10.18	■	
1.6 CDTi (B 16 DTL)		Diesel	FWD	1598	81	110	07.14-10.18	■	
1.6 CDTi (B 16 DTH)		Diesel	FWD	1598	100	136	07.14-10.18	■	
1.7 CDTi (A 17 DTC)		Diesel	FWD	1686	81	110	10.11-10.18	■	
1.7 CDTi (A 17 DTE)		Diesel	FWD	1686	81	110	10.11-10.18	■	
1.7 CDTi (A 17 DTJ)		Diesel	FWD	1686	81	110	10.11-10.18	■	
1.7 CDTi (A 17 DTF)		Diesel	FWD	1686	96	131	10.11-10.18	■	
1.7 CDTi (A 17 DTS)		Diesel	FWD	1686	96	131	10.11-10.18	■	
2.0 CDTi (A 20 DTH)		Diesel	FWD	1956	121	165	10.11-10.18	■	
MOKKA / MOKKA X (J13) 06.12-							SUV (Mini SUV-J Segment)		
1.4 (A 14 NET)		Gasolina	FWD	1364	103	140	04.13-12.19	■	
1.4 (B 14 NET)		Gasolina	FWD	1364	103	140	04.13-12.19	■	
1.4 (D 14 NET)		Gasolina	FWD	1364	103	140	04.13-12.19	■	
1.4 4x4 (A 14 NET)		Gasolina	4WD	1364	103	140	06.12-12.19	■	
1.4 4x4 (B 14 NET)		Gasolina	4WD	1364	103	140	06.12-12.19	■	
1.4 4x4 (D 14 NET)		Gasolina	4WD	1364	103	140	06.12-12.19	■	
1.4 4x4 (B 14 XFT)		Gasolina	4WD	1399	112	152	06.16-12.19	■	
1.6 (A 16 XER)		Gasolina	FWD	1598	85	116	06.12-12.19	■	
1.6 (B 16 XER)		Gasolina	FWD	1598	85	116	06.12-12.19	■	
1.6 (D 16 XER)		Gasolina	FWD	1598	85	116	06.12-12.19	■	
1.6 CDTi (B 16 DTN)		Diesel	FWD	1598	81	110	06.15-12.19	■	
1.6 CDTi (B 16 DTU)		Diesel	FWD	1598	81	110	06.15-12.19	■	
1.6 CDTi (A 16 DTH)		Diesel	FWD	1598	100	136	01.15-12.19	■	
1.6 CDTi (B 16 DTH)		Diesel	FWD	1598	100	136	01.15-12.19	■	
1.6 CDTi (D 16 DTH)		Diesel	FWD	1598	100	136	01.15-12.19	■	
1.6 CDTi 4x4 (A 16 DTH)		Diesel	4WD	1598	100	136	01.15-12.19	■	
1.6 CDTi 4x4 (B 16 DTH)		Diesel	4WD	1598	100	136	01.15-12.19	■	
1.6 CDTi 4x4 (D 16 DTH)		Diesel	4WD	1598	100	136	01.15-12.19	■	
1.7 CDTi (A 17 DTS)		Diesel	FWD	1686	96	131	06.12-12.19	■	
1.7 CDTi 4x4 (A 17 DTS)		Diesel	4WD	1686	96	131	06.12-12.19	■	
ZAFIRA Mk III (P12) 10.11-							MPV (Compact MPV-M1 Segment)		
1.4 (75) (A 14 NEL)		Gasolina	FWD	1364	88	120	10.11-06.14	■	
1.4 (75) (A 14 NET)		Gasolina	FWD	1364	103	140	10.11-05.18	■	
1.4 (75) (B 14 NET)		Gasolina	FWD	1364	103	140	10.11-05.18	■	
1.6 SIDI		Gasolina	FWD	1598	125	170	12.12-03.19	■	
1.6 SIDI (75) (A 16 SHT)		Gasolina	FWD	1598	147	200	07.13-05.18	■	
1.8 (75) (A 18 XEL)		Gasolina	FWD	1796	85	116	10.11-06.15	■	

LISTA DE APLICACIONES - BUYERS GUIDE

1.8		Gasolina	FWD	1796	88	120	10.11-	■
1.8 (75) (A 18 XER)		Gasolina	FWD	1796	103	140	10.11-05.18	■
1.4 LPG		Gasol./Gas (LPG)	FWD	1364	103	140	10.11-08.18	■
1.6 CNG (75) (A 16 XNT)		Gasol./Gas (CNG)	FWD	1598	110	150	10.11-04.16	■
1.6 CDTi (75) (B 16 DTH)		Diesel	FWD	1598	99	135	07.13-05.16	■
1.6 CDTi (75) (B 16 DTH)		Diesel	FWD	1598	100	136	02.13-05.16	■
2.0 CDTi (75) (A 20 DTL)		Diesel	FWD	1956	81	110	09.11-10.14	■
2.0 CDTi (75) (A 20 DT)		Diesel	FWD	1956	96	130	10.11-10.14	■
2.0 CDTi (75) (Y 20 DTJ)		Diesel	FWD	1956	96	130	10.11-10.14	■
2.0 CDTi (75) (Z 20 DTJ)		Diesel	FWD	1956	96	130	10.11-10.14	■
2.0 CDTi		Diesel	RWD	1956	118	160	10.11-	■
2.0 CDTi (75) (A 20 DTH)		Diesel	FWD	1956	121	165	10.11-10.14	■
2.0 CDTi (75) (B 20 DTH)		Diesel	FWD	1956	125	170	11.14-05.18	■
2.0 BiTurbo CDTi (75) (A 20 DTR)		Diesel	FWD	1956	143	194	11.12-08.18	■