

LISTA DE APLICACIONES - BUYERS GUIDE

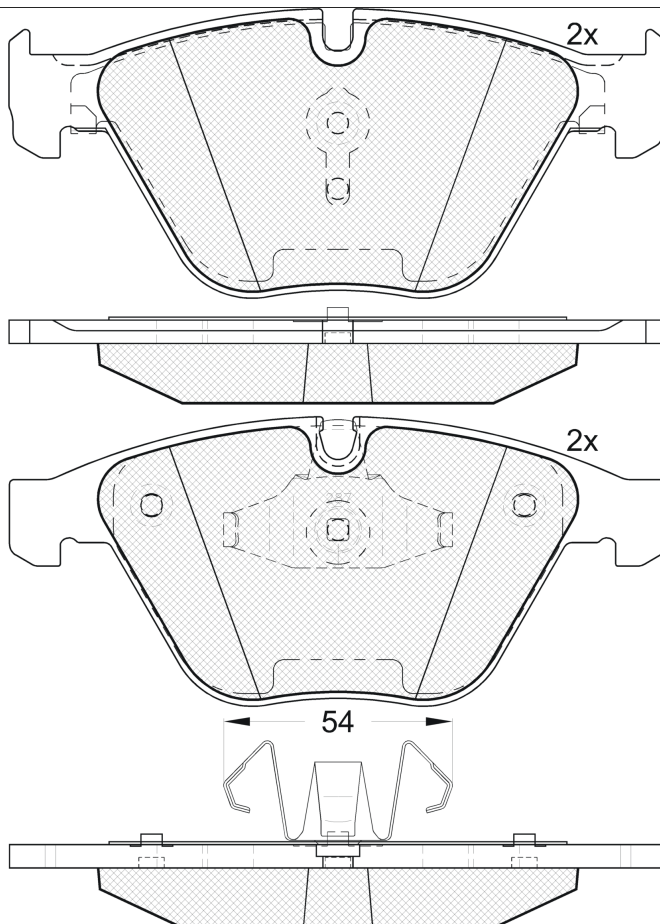
181940



Qty: 300

Weight: 2.030

O.E.M.	MAKE
34 10 6 880 754	BMW
34 11 2 288 858	BMW
34 11 2 288 859	BMW
34 11 2 288 861	BMW
34 11 2 288 862	BMW
34 11 2 409 225	BMW
34 11 2 413 152	BMW
34 11 6 288 858	BMW
34 11 6 288 859	BMW
34 11 6 288 861	BMW
34 11 6 288 866	BMW
34 11 6 288 867	BMW
34 11 6 288 868	BMW
34 11 6 288 869	BMW
34 11 6 780 711	BMW
34 11 6 790 759	BMW
34 11 6 794 920	BMW
34 11 6 857 686	BMW



181940

E 9 90R-01111/2556



Ate - Teves

155.2x68.37x20.3

WVA	FMSI
23313	D918-7799
24255	
24689	

MAKE
BMW
BMW (BRILLIANCE)



Trac.	CC	Kw	CV
-------	----	----	----



Front / Rear

BMW

3 Serie V (E93) 05.06-12.13						Convertible (Compact executive car-D Segment)			
318i (N43 B20 A)		Gasolina	RWD	1995	105	143	03.10-12.13	■	
320i	not M technique	Gasolina	RWD	1995	110	149	01.07-08.13	■	
320i (N46 B20 B)		Gasolina	RWD	1995	115	156	01.07-08.13	■	
320i (N43 B20 A)		Gasolina	RWD	1995	120	163	09.06-10.13	■	
320i (N43 B20 A)	-02/08	Gasolina	RWD	1995	125	170	03.07-10.13	■	
323 i		Gasolina	FWD	2497	130	177	03.07-09.11	■	
323 i (N52 B25 A)	discØ 312	Gasolina	RWD	2497	140	190	03.07-09.11	■	
325i (N52 B25 A)		Gasolina	RWD	2497	160	218	12.06-02.10	■	
325i (N53 B30 A)	-02/10	Gasolina	RWD	2996	160	218	03.07-12.13	■	
320 d (N47 D20 C)		Diesel	RWD	1995	120	163	01.08-12.13	■	
320 d (N47 D20 A)	not M technique	Diesel	RWD	1995	130	177	03.08-02.10	■	
320 d (N47 D20 C)	not M technique	Diesel	RWD	1995	130	177	03.08-02.10	■	
320 d (N47 D20 C)		Diesel	RWD	1995	135	184	03.10-10.13	■	
320 d (N47 D20 A)		Diesel	RWD	1995	145	197	09.07-02.10	■	
320 d (N47 D20 C)		Diesel	RWD	1995	145	197	09.07-02.10	■	
320 d (N47 D20 C)		Diesel	RWD	1995	147	200	03.10-10.13	■	
3 Serie V (E92) 01.05-12.13						Coupe (Compact executive car-D Segment)			
318i (N43 B20 A)		Gasolina	RWD	1995	105	143	03.10-12.13	■	
320i (N43 B20 A)	-12/12	Gasolina	RWD	1995	125	170	03.07-06.13	■	
323 i		Gasolina	FWD	2497	130	177	04.06-02.12	■	
323 i (N52 B25 AE)		Gasolina	RWD	2497	140	190	04.06-02.12	■	
323 i (N52 B25 BE)		Gasolina	RWD	2497	140	190	04.06-02.12	■	

LISTA DE APLICACIONES - BUYERS GUIDE

325i (N52 B25 A)		Gasolina	RWD	2497	150	204	03.10-10.13	■
325i (N52 B25 AF)		Gasolina	RWD	2497	150	204	03.10-10.13	■
325i (N52 B25 BF)		Gasolina	RWD	2497	150	204	03.10-10.13	■
325 i xDrive (N52 B25 A)		Gasolina	4WD	2497	150	204	03.10-04.13	■
325i (N52 B25 A)		Gasolina	RWD	2497	155	211	03.10-06.13	■
325i (N52 B25 AF)		Gasolina	RWD	2497	155	211	03.10-06.13	■
325i (N52 B25 BF)		Gasolina	RWD	2497	155	211	03.10-06.13	■
325i (N52 B25 A)	09/07-, discØ 312	Gasolina	RWD	2497	160	218	06.06-02.10	■
325i (N52 B25 AF)	09/07-, discØ 312	Gasolina	RWD	2497	160	218	06.06-02.10	■
325i (N52 B25 BF)	09/07-, discØ 312	Gasolina	RWD	2497	160	218	06.06-02.10	■
325 xi (N52 B25 A)		Gasolina	4WD	2497	160	218	09.06-02.10	■
335 i (N54 B30 A)	01/10-	Gasolina	RWD	2979	225	306	06.06-06.13	■
335 i (N55 B30 A)	01/10-	Gasolina	RWD	2979	225	306	06.06-06.13	■
335 i xDrive (N54 B30 A)	01/10-	Gasolina	4WD	2979	225	306	11.08-12.13	■
335 i xDrive (N55 B30 A)	01/10-	Gasolina	4WD	2979	225	306	11.08-12.13	■
335 xi (N54 B30 A)	01/10-	Gasolina	4WD	2979	225	306	03.07-02.10	■
335 xi (N55 B30 A)	01/10-	Gasolina	4WD	2979	225	306	03.07-02.10	■
325 i xDrive (N53 B30 A)		Gasolina	4WD	2996	155	211	09.08-06.13	■
325i (N53 B30 A)	03/10-	Gasolina	RWD	2996	160	218	09.07-06.13	■
325 i xDrive (N53 B30 A)	02/10-	Gasolina	4WD	2996	160	218	09.08-12.13	■
325 xi (N53 B30 A)		Gasolina	4WD	2996	160	218	09.07-08.08	■
328i (N51 B30 A)	discØ 312	Gasolina	RWD	2996	172	234	06.06-06.13	■
328i (N52 B30 A)	discØ 312	Gasolina	RWD	2996	172	234	06.06-06.13	■
328 i xDrive (N51 B30 A)	discØ 312	Gasolina	4WD	2996	172	234	09.08-06.13	■
328 i xDrive (N52 B30 A)	discØ 312	Gasolina	4WD	2996	172	234	09.08-06.13	■
328 xi (N51 B30, N52 B30 A)	discØ 312, 09/07-	Gasolina	4WD	2996	172	234	09.06-08.08	■
320 d (N47 D20 A)		Diesel	RWD	1995	120	163	03.07-06.13	■
320 d (N47 D20 C)		Diesel	RWD	1995	120	163	03.07-06.13	■
320 d xDrive (N47 D20 C)		Diesel	4WD	1995	120	163	09.08-06.13	■
320 d (N47 D20 A)	not M technique	Diesel	RWD	1995	130	177	09.06-02.10	■
320 d (N47 D20 C)	not M technique	Diesel	RWD	1995	130	177	09.06-02.10	■
320 d xDrive (N47 D20 C)		Diesel	4WD	1995	130	177	09.08-02.10	■
320 xd		Diesel	4WD	1995	130	177	09.08-02.10	■
320 d (N47 D20 C)		Diesel	RWD	1995	135	184	03.10-06.13	■
320 d xDrive (N47 D20 C)		Diesel	4WD	1995	135	184	03.10-06.13	■
320 d (N47 D20 A)		Diesel	RWD	1995	145	197	09.06-02.10	■
320 d (N47 D20 C)		Diesel	RWD	1995	145	197	09.06-02.10	■
320 d xDrive (N47 D20 C)		Diesel	4WD	1995	145	197	09.08-02.10	■
320 d (N47 D20 C)		Diesel	RWD	1995	147	200	03.10-06.13	■
320 d xDrive (N47 D20 C)		Diesel	4WD	1995	147	200	03.10-06.13	■
3 Serie V (E90) 02.04-12.13							Saloon (Compact executive car-D Segment)	
318i (N46 B20 B)	03/07-, increased payload	Gasolina	RWD	1995	95	129	09.05-08.07	■
318i (N46 B20 B)		Gasolina	RWD	1995	100	136	09.07-10.11	■
318i (N46 B20 C)		Gasolina	RWD	1995	100	136	09.07-10.11	■
318i (N46 B20 CC)		Gasolina	RWD	1995	100	136	09.07-10.11	■
318i (N46 B20 CD)		Gasolina	RWD	1995	100	136	09.07-10.11	■
318i (N46 B20 E)		Gasolina	RWD	1995	100	136	09.07-10.11	■
318i (N43 B20 A)	not government vehic, not M technique, not increas.payload	Gasolina	RWD	1995	105	143	09.07-10.11	■
320i (N46 B20 B)	03/07-, increased payload	Gasolina	RWD	1995	110	150	12.04-08.07	■
320i (N46 B20 BD)	03/07-, increased payload	Gasolina	RWD	1995	110	150	12.04-08.07	■

LISTA DE APLICACIONES - BUYERS GUIDE

320i (N46 B20 C)	03/07-, increased payload	Gasolina	RWD	1995	110	150	12.04-08.07	■
320i (N46 B20 CB)	03/07-, increased payload	Gasolina	RWD	1995	110	150	12.04-08.07	■
320i (N46 B20 B)		Gasolina	RWD	1995	115	156	02.07-12.11	■
320i (N46 B20 C)		Gasolina	RWD	1995	115	156	02.07-12.11	■
320i (N46 B20 CC)		Gasolina	RWD	1995	115	156	02.07-12.11	■
320i (N46 B20 CD)		Gasolina	RWD	1995	115	156	02.07-12.11	■
320i (N46 B20 E)		Gasolina	RWD	1995	115	156	02.07-12.11	■
320i (N43 B20 A)	-02/10, not M technique, increased payload, discØ 312	Gasolina	RWD	1995	120	163	03.07-12.11	■
320i (N43 B20 A)	-02/10, not M technique, increased payload, discØ 312	Gasolina	RWD	1995	125	170	09.07-10.11	■
325i		Gasolina	FWD	2494	141	189	09.07-12.08	■
323 i (N52 B25 A)	not M technique	Gasolina	RWD	2497	130	177	09.05-02.07	■
323 i (N52 B25 B)	not M technique	Gasolina	RWD	2497	130	177	09.05-02.07	■
323 i (N52 B25 BE)	not M technique	Gasolina	RWD	2497	130	177	09.05-02.07	■
323 i (N52 B25 BF)	not M technique	Gasolina	RWD	2497	130	177	09.05-02.07	■
323 i (N52 B25 A)		Gasolina	RWD	2497	140	190	03.07-12.11	■
323 i (N52 B25 BF)		Gasolina	RWD	2497	140	190	03.07-12.11	■
325i (N52 B25 A)		Gasolina	RWD	2497	155	211	01.06-12.11	■
325i (N52 B25 A)	01/07-, not increas.payload	Gasolina	RWD	2497	160	218	12.04-12.11	■
325i (N52 B25 B)	01/07-, not increas.payload	Gasolina	RWD	2497	160	218	12.04-12.11	■
325i (N52 B25 BF)	01/07-, not increas.payload	Gasolina	RWD	2497	160	218	12.04-12.11	■
325 xi (N52 B25 A)	-08/07, not increas.payload	Gasolina	4WD	2497	160	218	09.05-08.08	■
325i (N53 B30 A)		Gasolina	RWD	2996	155	211	03.07-12.11	■
325 i xDrive (N53 B30 A)		Gasolina	4WD	2996	155	211	09.08-10.11	■
325i (N53 B30 A)	-02/10, not M technique, not increas.payload, discØ 312	Gasolina	RWD	2996	160	218	03.07-12.11	■
325 i xDrive (N53 B30 A)	-02/10, not increas.payload, discØ 312	Gasolina	4WD	2996	160	218	09.08-10.11	■
325 xi (N53 B30 A)	not increas.payload, discØ 312	Gasolina	4WD	2996	160	218	09.07-08.08	■
325 xi (N52 B30 A)		Gasolina	4WD	2996	160	218	09.05-08.06	■
328i (N51 B30 A)		Gasolina	RWD	2996	172	234	09.06-12.11	■
320 d (M47 D20 (204D4))	not government vehic	Diesel	RWD	1995	110	150	12.04-09.07	■
320 d	not government vehic	Diesel	RWD	1995	115	156	12.04-09.07	■
320 d (M47 D20 (204D4))		Diesel	RWD	1995	120	163	12.04-10.11	■
320 d (N47 D20 A)		Diesel	RWD	1995	120	163	12.04-10.11	■
320 d (N47 D20 C)		Diesel	RWD	1995	120	163	12.04-10.11	■
320 d xDrive (N47 D20 C)	-02/10, not government vehic	Diesel	4WD	1995	120	163	09.08-10.11	■
320 d (N47 D20 A)	not government vehic, not M technique, discØ 312	Diesel	RWD	1995	130	177	09.07-02.10	■
320 d (N47 D20 C)	not government vehic, not M technique, discØ 312	Diesel	RWD	1995	130	177	09.07-02.10	■
320 d xDrive (N47 D20 A)	not government vehic, discØ 312	Diesel	4WD	1995	130	177	09.08-02.10	■
320 d xDrive (N47 D20 C)	not government vehic, discØ 312	Diesel	4WD	1995	130	177	09.08-02.10	■
320 xd	-02/10, not government vehic, discØ 312	Diesel	4WD	1995	130	177	09.07-12.11	■
320 d (N47 D20 C)	not government vehic	Diesel	RWD	1995	135	184	03.10-10.11	■
320 d xDrive (N47 D20 C)	not government vehic	Diesel	4WD	1995	135	184	03.10-10.11	■
3 Serie V Touring (E91) 12.04-12.12						Estate (Compact executive car-D Segment)		
318i (N46 B20 B)	01/07-	Gasolina	RWD	1995	95	129	01.06-08.07	■
318i (N46 B20 B)	-02/08, not increas.payload	Gasolina	RWD	1995	100	136	09.07-03.12	■
318i		Gasolina	RWD	1995	100	136	05.07-05.12	■
318i (N43 B20 A)	-02/08, not M technique, not increas.payload	Gasolina	RWD	1995	105	143	05.07-05.12	■

LISTA DE APLICACIONES - BUYERS GUIDE

320i (N46 B20 B)	-08/07	Gasolina	RWD	1995	110	150	09.05-06.12	■	
320i (N46 B20 C)	-08/07	Gasolina	RWD	1995	110	150	09.05-06.12	■	
320i (N46 B20 B)		Gasolina	RWD	1995	115	156	09.05-06.12	■	
320i (N46 B20 BD)		Gasolina	RWD	1995	115	156	09.05-06.12	■	
320i (N46 B20 C)		Gasolina	RWD	1995	115	156	09.05-06.12	■	
320i (N43 B20 A)		Gasolina	RWD	1995	120	163	02.07-05.12	■	
320i (N43 B20 A)	-02/10, not M technique	Gasolina	RWD	1995	125	170	02.07-12.12	■	
323 i (N52 B25 A)		Gasolina	RWD	2497	130	177	04.06-06.07	■	
323 i (N52 B25 A)	discØ 312, Syst. Standard	Gasolina	RWD	2497	140	190	09.06-07.08	■	
325i (N52 B25 A)		Gasolina	RWD	2497	155	211	12.04-12.10	■	
325i (N52 B25 AF)		Gasolina	RWD	2497	155	211	12.04-12.10	■	
325i (N52 B25 B)		Gasolina	RWD	2497	155	211	12.04-12.10	■	
325i (N52 B25 BF)		Gasolina	RWD	2497	155	211	12.04-12.10	■	
325i (N52 B25 A)	01/07-, not increas.payload	Gasolina	RWD	2497	160	218	12.04-08.08	■	
325 xi (N52 B25 A)	01/07-, not increas.payload	Gasolina	4WD	2497	160	218	08.05-08.08	■	
325i (N53 B30 A)		Gasolina	RWD	2996	155	211	09.07-06.12	■	
325i (N53 B30 A)	-02/10, not increas.payload, discØ 312	Gasolina	RWD	2996	160	218	09.07-06.12	■	
325 i xDrive (N53 B30 A)	-02/10, not increas.payload	Gasolina	4WD	2996	160	218	09.08-06.12	■	
325 xi (N53 B30 A)	not increas.payload	Gasolina	4WD	2996	160	218	09.07-08.08	■	
318 d (N47 D20 A)	-12/07, not M technique	Diesel	RWD	1995	100	136	07.07-06.12	■	
318 d (N47 D20 C)	-12/07, not M technique	Diesel	RWD	1995	100	136	07.07-06.12	■	
318 d (N47 D20 A)	not M technique	Diesel	RWD	1995	105	143	09.07-06.12	■	
318 d (N47 D20 C)	not M technique	Diesel	RWD	1995	105	143	09.07-06.12	■	
320 d (M47 D20 (204D4))	01/07-, not government vehic	Diesel	RWD	1995	110	150	12.04-08.07	■	
320 d (M47 D20 (204D4))	01/07-, not government vehic	Diesel	RWD	1995	120	163	06.05-06.12	■	
320 d (N47 D20 A)	01/07-, not government vehic	Diesel	RWD	1995	120	163	06.05-06.12	■	
320 d (N47 D20 C)	01/07-, not government vehic	Diesel	RWD	1995	120	163	06.05-06.12	■	
320 d xDrive (N47 D20 C)	-02/10, not government vehic	Diesel	4WD	1995	120	163	07.09-06.12	■	
320 d (N47 D20 A)	not government vehic, not M technique, discØ 312	Diesel	RWD	1995	130	177	02.07-12.10	■	
320 d (N47 D20 C)	not government vehic, not M technique, discØ 312	Diesel	RWD	1995	130	177	02.07-12.10	■	
320 d xDrive (N47 D20 C)	not government vehic, discØ 312	Diesel	4WD	1995	130	177	09.08-02.10	■	
320 xd	not government vehic, discØ 312	Diesel	RWD	1995	130	177	02.08-02.10	■	
320 d (N47 D20 C)	not government vehic, not M technique	Diesel	RWD	1995	135	184	03.10-05.12	■	
320 d xDrive (N47 D20 C)	not government vehic	Diesel	4WD	1995	135	184	03.10-06.12	■	
320 d (N47 D20 A)		Diesel	RWD	1995	145	197	02.07-02.10	■	
320 d (N47 D20 C)		Diesel	RWD	1995	145	197	02.07-02.10	■	
320 d xDrive (N47 D20 C)		Diesel	4WD	1995	145	197	02.08-02.10	■	
320 d (N47 D20 C)		Diesel	RWD	1995	147	200	03.10-05.12	■	
320 d xDrive (N47 D20 C)		Diesel	4WD	1995	147	200	03.10-05.12	■	
3 Serie VI (F30, F80) 11.11-10.18							Saloon (Compact executive car-D Segment)		
320i (N13 B16 A)	discØ 312, China	Gasolina	RWD	1598	125	170	11.12-06.16	■	
320i (N20 B20 A)	-06/12, discØ 312, China	Gasolina	RWD	1997	135	184	03.12-10.18	■	
320i (N20 B20 B)	-06/12, discØ 312, China	Gasolina	RWD	1997	135	184	03.12-10.18	■	
320i (N20 B20 D)	-06/12, discØ 312, China	Gasolina	RWD	1997	135	184	03.12-10.18	■	
320 i Active Flex	-06/12, discØ 312, China	Gasolina	FWD	1997	135	184	02.12-	■	
320 i xDrive (N20 B20 A)	discØ 312, China	Gasolina	4WD	1997	135	184	07.12-10.18	■	
320 i xDrive (N20 B20 B)	discØ 312, China	Gasolina	4WD	1997	135	184	07.12-10.18	■	
328i (N20 B20 A)	-06/12, discØ 312, China	Gasolina	RWD	1997	180	245	11.11-10.18	■	

LISTA DE APLICACIONES - BUYERS GUIDE

328i (N20 B20 C)	-06/12, discØ 312, China	Gasolina	RWD	1997	180	245	11.11-10.18	■	
328i (N26 B20 A)	-06/12, discØ 312, China	Gasolina	RWD	1997	180	245	11.11-10.18	■	
328 i xDrive (N20 B20 A)	discØ 312, China	Gasolina	4WD	1997	180	245	07.12-08.16	■	
328 i xDrive (N26 B20 A)	discØ 312, China	Gasolina	4WD	1997	180	245	07.12-08.16	■	
320 i xDrive (B48 B20 A)	discØ 312, China	Gasolina	4WD	1998	135	184	07.15-10.18	■	
5 Serie V (E60) 12.01-03.10					Saloon (Executive car-E Segment)				
520 i (N43 B20 A)	government vehicles, discØ 324	Gasolina	RWD	1995	125	170	09.07-12.09	■	
520 i (M54 B22 (226S1))	Automatic Transmiss., discØ 324	Gasolina	RWD	2171	125	170	07.03-03.10	■	
525 i		Gasolina	RWD	2494	137	186	07.03-12.09	■	
525 i (M54 B25 (256S5))	government vehicles, discØ 324	Gasolina	RWD	2494	141	192	09.03-02.05	■	
523 i (N52 B25 A)	government vehicles, discØ 324	Gasolina	RWD	2497	130	177	10.04-02.07	■	
523 i (N52 B25 B)	government vehicles, discØ 324	Gasolina	RWD	2497	130	177	10.04-02.07	■	
523 i (N52 B25 BE)	government vehicles, discØ 324	Gasolina	RWD	2497	130	177	10.04-02.07	■	
523 i (N52 B25 A)	government vehicles, increased payload	Gasolina	RWD	2497	140	190	03.07-12.09	■	
523 i (N52 B25 BE)	government vehicles, increased payload	Gasolina	RWD	2497	140	190	03.07-12.09	■	
525 i (N52 B25 A)	government vehicles, discØ 324	Gasolina	RWD	2497	155	211	07.05-03.10	■	
525 i (N52 B25 A)	discØ 324	Gasolina	RWD	2497	160	218	03.05-12.09	■	
525 i (N52 B25 B)	discØ 324	Gasolina	RWD	2497	160	218	03.05-12.09	■	
525 i (N52 B25 BF)	discØ 324	Gasolina	RWD	2497	160	218	03.05-12.09	■	
525 xi (N52 B25 A)		Gasolina	4WD	2497	160	218	04.05-02.07	■	
530i (M54 B30 (306S3))		Gasolina	RWD	2979	170	231	12.01-02.05	■	
535i (N54 B30 A)		Gasolina	RWD	2979	225	306	04.06-12.09	■	
525 i (N53 B30 A)	discØ 324	Gasolina	RWD	2996	155	211	01.07-03.10	■	
525 i (N53 B30 A)		Gasolina	RWD	2996	160	218	01.07-03.10	■	
525 i (N52 B30 A)		Gasolina	RWD	2996	160	218	03.05-03.07	■	
525 i xDrive (N53 B30 A)		Gasolina	4WD	2996	160	218	09.08-03.10	■	
525 xi (N53 B30 A)		Gasolina	4WD	2996	160	218	03.07-12.09	■	
530i		Gasolina	FWD	2996	168	228	09.07-12.08	■	
530i (N52 B30 A)		Gasolina	RWD	2996	187	254	03.05-03.10	■	
530i (N52 B30 A)	government vehicles	Gasolina	RWD	2996	190	258	03.05-03.07	■	
530i (N52 B30 BF)	government vehicles	Gasolina	RWD	2996	190	258	03.05-03.07	■	
530 xi (N52 B30 A)		Gasolina	4WD	2996	190	258	09.04-02.07	■	
530i (N53 B30 A)		Gasolina	RWD	2996	200	272	03.07-12.09	■	
530 i xDrive (N53 B30 A)		Gasolina	4WD	2996	200	272	09.08-12.09	■	
530 xi (N53 B30 A)		Gasolina	4WD	2996	200	272	02.07-08.08	■	
530i		Gasolina	FWD	2996	224	300	09.08-12.09	■	
540 i (N62 B40 A)		Gasolina	RWD	4000	225	306	03.07-12.09	■	
545 i (N62 B44 A)		Gasolina	RWD	4398	245	333	07.03-08.05	■	
550i (N62 B48 B)		Gasolina	RWD	4799	270	367	09.05-12.09	■	
520 d (M47 D20 (204D4))	government vehicles, increased payload, discØ 324	Diesel	RWD	1995	110	150	09.05-02.07	■	
520 d (M47 D20 (204D4))	government vehicles, increased payload, discØ 324	Diesel	RWD	1995	120	163	09.05-12.09	■	
520 d (N47 D20 C)	government vehicles, increased payload, discØ 324	Diesel	RWD	1995	120	163	09.05-12.09	■	
520 d (N47 D20 A)	government vehicles, increased payload, discØ 324	Diesel	RWD	1995	130	177	09.07-12.09	■	
520 d (N47 D20 C)	government vehicles, increased payload, discØ 324	Diesel	RWD	1995	130	177	09.07-12.09	■	

LISTA DE APLICACIONES - BUYERS GUIDE

525 d (M57 D25 (256D2))	government vehicles, discØ 324	Diesel	RWD	2497	120	163	12.04-03.10	■	
525 d (M57 D25 (256D2))	government vehicles, discØ 324	Diesel	RWD	2497	130	177	06.04-03.10	■	
525 d (M57 D30 (306D3))	government vehicles, increased payload	Diesel	RWD	2993	145	197	01.07-03.10	■	
525 d xDrive (M57 D30 (306D3))		Diesel	4WD	2993	145	197	09.08-12.09	■	
525 xd (M57 D30 (306D3))		Diesel	4WD	2993	145	197	09.07-08.08	■	
530 d (M57 D30 (306D2))		Diesel	RWD	2993	155	211	09.02-12.09	■	
530 d (M57 D30 (306D3))		Diesel	RWD	2993	155	211	09.02-12.09	■	
530 d (M57 D30 (306D2))		Diesel	RWD	2993	160	218	09.02-09.05	■	
530 d (M57 D30 (306D3))		Diesel	RWD	2993	170	231	09.05-03.07	■	
530 xd (M57 D30 (306D3))		Diesel	4WD	2993	170	231	02.05-02.07	■	
530 d (M57 D30 (306D3))		Diesel	RWD	2993	173	235	02.07-12.09	■	
530 d xDrive (M57 D30 (306D3))		Diesel	4WD	2993	173	235	09.07-12.09	■	
530 xd (M57 D30 (306D3))		Diesel	4WD	2993	173	235	03.07-08.07	■	
5 Serie V Touring (E61) 03.04-12.10					Estate (Executive car-E Segment)				
520 i (N43 B20 A)	05/10-, government vehicles	Gasolina	RWD	1995	125	170	09.07-12.10	■	
525 i (M54 B25 (256S5))	05/10-, government vehicles	Gasolina	RWD	2494	141	192	06.04-12.10	■	
523 i (N52 B25 A)	government vehicles, increased payload	Gasolina	RWD	2497	130	177	10.04-02.07	■	
523 i (N52 B25 B)	government vehicles, increased payload	Gasolina	RWD	2497	130	177	10.04-02.07	■	
523 i (N52 B25 BE)	government vehicles, increased payload	Gasolina	RWD	2497	130	177	10.04-02.07	■	
523 i (N52 B25 A)	government vehicles, increased payload	Gasolina	RWD	2497	140	190	03.07-01.10	■	
525 i (N52 B25 A)		Gasolina	RWD	2497	160	218	03.05-05.10	■	
525 i (N52 B25 B)		Gasolina	RWD	2497	160	218	03.05-05.10	■	
525 i (N52 B25 BF)		Gasolina	RWD	2497	160	218	03.05-05.10	■	
525 xi (N52 B25 A)	05/10-	Gasolina	4WD	2497	160	218	07.05-12.10	■	
530i	05/10-	Gasolina	FWD	2979	170	231	06.04-	■	
525 i (N53 B30 A)	05/10-	Gasolina	RWD	2996	160	218	01.07-12.10	■	
525 i xDrive (N53 B30 A)	05/10-	Gasolina	4WD	2996	160	218	09.08-12.10	■	
525 xi (N53 B30 A)	05/10-	Gasolina	4WD	2996	160	218	01.07-12.10	■	
530i (N52 B30 A)		Gasolina	RWD	2996	190	258	09.04-02.07	■	
530i (N52 B30 BF)		Gasolina	RWD	2996	190	258	09.04-02.07	■	
530 xi (N52 B30 A)		Gasolina	4WD	2996	190	258	04.05-02.07	■	
530i (N53 B30 A)	05/10-	Gasolina	RWD	2996	200	272	01.07-12.10	■	
530 i xDrive (N53 B30 A)		Gasolina	4WD	2996	200	272	09.08-05.10	■	
530 xi (N52 B30 A)		Gasolina	4WD	2996	200	272	03.07-05.10	■	
545 i (N62 B44 A)	05/10-	Gasolina	RWD	4398	245	333	06.04-12.10	■	
550i (N62 B48 A)	05/10-, USA	Gasolina	RWD	4799	270	367	07.05-12.10	■	
550i (N62 B48 B)	05/10-, USA	Gasolina	RWD	4799	270	367	07.05-12.10	■	
520 d (M47 D20 (204D4))	government vehicles	Diesel	RWD	1995	110	150	09.05-02.07	■	
520 d (M47 D20 (204D4))	government vehicles	Diesel	RWD	1995	120	163	04.05-05.10	■	
520 d (N47 D20 C)	government vehicles	Diesel	RWD	1995	120	163	04.05-05.10	■	
520 d (N47 D20 A)		Diesel	RWD	1995	130	177	09.07-05.10	■	
520 d (N47 D20 C)		Diesel	RWD	1995	130	177	09.07-05.10	■	
525 d (M57 D25 (256D2))	government vehicles	Diesel	RWD	2497	120	163	03.04-03.07	■	
525 d (M57 D25 (256D2))	government vehicles	Diesel	RWD	2497	130	177	03.04-03.07	■	
525 d (M57 D30 (306D3))	government vehicles, increased payload	Diesel	RWD	2993	145	197	03.07-05.10	■	
525 d xDrive (M57 D30 (306D3))		Diesel	4WD	2993	145	197	09.08-05.10	■	
525 xd (M57 D30 (306D3))		Diesel	4WD	2993	145	197	09.07-09.08	■	

LISTA DE APLICACIONES - BUYERS GUIDE

530 d (M57 D30 (306D2))		Diesel	RWD	2993	160	218	03.04-09.05	■	
530 d (M57 D30 (306D3))		Diesel	RWD	2993	170	231	02.05-02.07	■	
530 xd (M57 D30 (306D3))		Diesel	4WD	2993	170	231	02.05-02.07	■	
530 d (M57 D30 (306D3))		Diesel	RWD	2993	173	235	02.07-05.10	■	
530 d xDrive (M57 D30 (306D3))		Diesel	4WD	2993	173	235	09.07-05.10	■	
530 xd (M57 D30 (306D3))		Diesel	4WD	2993	173	235	03.07-08.07	■	
535 d (M57 D30 (306D5))		Diesel	RWD	2993	210	286	01.07-12.10	■	
6 Serie II (E64) 03.04-12.10					Convertible (Grand Tourer-S Segment)				
630 i (N52 B30 A)		Gasolina	RWD	2996	190	258	09.04-08.07	■	
630 i (N52 B30 B)		Gasolina	RWD	2996	190	258	09.04-08.07	■	
630 i (N52 B30 BF)		Gasolina	RWD	2996	190	258	09.04-08.07	■	
630 i (N53 B30 A)	05/10-	Gasolina	RWD	2996	200	272	09.07-08.10	■	
645 Ci (N62 B44 A)		Gasolina	RWD	4398	245	333	04.04-08.05	■	
650 i (N62 B48 B)	05/10-, USA	Gasolina	RWD	4799	270	367	09.05-08.10	■	
6 Serie II (E63) 09.03-12.13					Coupe (Grand Tourer-S Segment)				
630 i (N52 B30 A)		Gasolina	RWD	2996	190	258	09.04-08.07	■	
630 i (N52 B30 BF)		Gasolina	RWD	2996	190	258	09.04-08.07	■	
630 i (N53 B30 A)	05/10-	Gasolina	RWD	2996	200	272	09.07-08.10	■	
645 Ci (N62 B44 A)		Gasolina	RWD	4398	245	333	09.03-08.05	■	
650 i (N62 B48 B)	05/10-, USA	Gasolina	RWD	4799	270	367	09.05-08.10	■	
7 Serie IV (E65, E66, E67) 07.01-12.09					Saloon (Luxury car-F Segment)				
730 i, Li (M54 B30 (306S3))		Gasolina	RWD	2979	170	231	03.03-07.08	■	
730 i, Li		Gasolina	RWD	2996	184	250	03.05-07.08	■	
730 i, Li (N52 B30 A)		Gasolina	RWD	2996	190	258	03.05-08.08	■	
730 i, Li (N52 B30 BF)		Gasolina	RWD	2996	190	258	03.05-08.08	■	
735 i, Li (N62 B36 A)		Gasolina	RWD	3600	200	272	11.01-02.05	■	
735 i	-12/08	Gasolina	RWD	3999	225	306	03.05-12.09	■	
740 i, Li (N62 B40 A)		Gasolina	RWD	4000	225	306	03.05-08.08	■	
745 i, Li (N62 B44 A)		Gasolina	RWD	4398	245	333	07.01-03.05	■	
750 i, Li (N62 B48 B)		Gasolina	RWD	4799	270	367	03.05-08.08	■	
760i (N73 B60 A)		Gasolina	RWD	5972	320	435	02.03-08.05	■	
760i (N73 B60 B)		Gasolina	RWD	5972	320	435	02.03-08.05	■	
760 i, Li (N73 B60 A)		Gasolina	RWD	5972	327	445	01.03-08.08	■	
760 i, Li (N73 B60 B)		Gasolina	RWD	5972	327	445	01.03-08.08	■	
730 d (M57 D30 (306D2))		Diesel	RWD	2993	150	204	09.02-08.03	■	
730 d (M57 D30 (306D2))		Diesel	RWD	2993	155	211	09.03-08.08	■	
730 d (M57 D30 (306D3))		Diesel	RWD	2993	155	211	09.03-08.08	■	
730 d (M57 D30 (306D2))		Diesel	RWD	2993	160	218	06.02-02.05	■	
730 Ld (M57 D30 (306D3))		Diesel	RWD	2993	170	231	07.05-08.08	■	
740 d (M67 D39 (398D1))		Diesel	RWD	3901	190	258	10.02-02.05	■	
X1 (E84) 03.09-06.15					SUV (Compact SUV-J Segment)				
sDrive 16i (N20 B16 A)	discØ 312	Gasolina	RWD	1592	105	143	03.13-06.15	■	
sDrive18i (N46 B20 B)	discØ 312	Gasolina	RWD	1995	100	136	03.10-06.15	■	
sDrive18i (N46 B20 BD)	discØ 312	Gasolina	RWD	1995	100	136	03.10-06.15	■	
2.0 xDrive 18i 4WD	01/09-, discØ 312	Gasolina	FWD	1995	105	143	03.09-	■	
sDrive18i (N46 B20 B)	discØ 312	Gasolina	RWD	1995	110	150	03.10-06.15	■	
sDrive18i (N46 B20 BD)	discØ 312	Gasolina	RWD	1995	110	150	03.10-06.15	■	
sDrive18i (N46 B20 C)	discØ 312	Gasolina	RWD	1995	110	150	03.10-06.15	■	
sDrive18i (N46 B20 CC)	discØ 312	Gasolina	RWD	1995	110	150	03.10-06.15	■	
sDrive18i (N46 B20 CD)	discØ 312	Gasolina	RWD	1995	110	150	03.10-06.15	■	

LISTA DE APLICACIONES - BUYERS GUIDE

sDrive18i (N46 B20 E)	discØ 312	Gasolina	RWD	1995	110	150	03.10-06.15	■	
sDrive20i (N20 B20 A)	discØ 312	Gasolina	RWD	1997	135	184	09.11-06.15	■	
xDrive20i (N20 B20 A)	discØ 312	Gasolina	4WD	1997	135	184	09.11-06.15	■	
sDrive28i (N20 B20 A)	discØ 312	Gasolina	RWD	1997	180	245	09.12-06.15	■	
xDrive28i (N20 B20 A)		Gasolina	4WD	1997	180	245	03.11-06.15	■	
xDrive 35 i (N55 B30 A)	discØ 312	Gasolina	4WD	2979	225	306	03.11-06.15	■	
xDrive28i (N52 B30 A)	discØ 312	Gasolina	4WD	2996	190	258	09.09-08.11	■	
xDrive 28 i Flex (N20 B20 A)	03/12-, discØ 312	Gasol./Etanol	4WD	1997	180	245	04.11-06.15	■	
sDrive 16 d (N47 D20 C)	07/12-, discØ 312	Diesel	RWD	1995	85	116	04.12-06.15	■	
sDrive 18 d (N47 D20 C)	discØ 312	Diesel	RWD	1995	100	136	03.09-06.15	■	
xDrive 18 d (N47 D20 C)	discØ 312	Diesel	4WD	1995	100	136	03.09-06.15	■	
sDrive 18 d (N47 D20 C)	-02/10, discØ 312	Diesel	RWD	1995	105	143	12.09-06.15	■	
xDrive 18 d (N47 D20 C)	-02/10, discØ 312	Diesel	4WD	1995	105	143	10.09-06.15	■	
sDrive 20 d (N47 D20 C)	discØ 312	Diesel	RWD	1995	120	163	03.10-06.15	■	
xDrive 20 d (N47 D20 C)	discØ 312	Diesel	4WD	1995	120	163	03.10-06.15	■	
sDrive 20 d (N47 D20 C)	-02/10, discØ 312	Diesel	RWD	1995	130	177	10.09-06.15	■	
xDrive 20 d (N47 D20 C)	-02/10, discØ 312	Diesel	4WD	1995	130	177	09.09-06.12	■	
sDrive 20 d (N47 D20 C)	discØ 312	Diesel	RWD	1995	135	184	07.12-06.15	■	
xDrive 20 d (N47 D20 C)	discØ 312	Diesel	4WD	1995	135	184	07.12-06.15	■	
xDrive 23 d (N47 D20 D)	discØ 312	Diesel	4WD	1995	150	204	10.09-06.15	■	
xDrive 25 d (N47 D20 D)	07/12-, discØ 312	Diesel	4WD	1995	160	218	10.09-06.15	■	
Z4 II (E89) 02.09-08.16							Convertible (Sports car-S Segment)		
sDrive 35 is (N54 B30 A)		Gasolina	RWD	2979	250	340	03.10-08.16	■	
BMW (BRILLIANCE)									
X1 (E84) 03.12-							Estate (Compact SUV-J Segment)		
sDrive18i	discØ 312	Gasolina	FWD	1995	110	150	03.12-	■	
sDrive20i	discØ 312	Gasolina	FWD	1997	135	184	03.12-	■	
xDrive20i	discØ 312	Gasolina	FWD	1997	135	184	03.12-	■	