

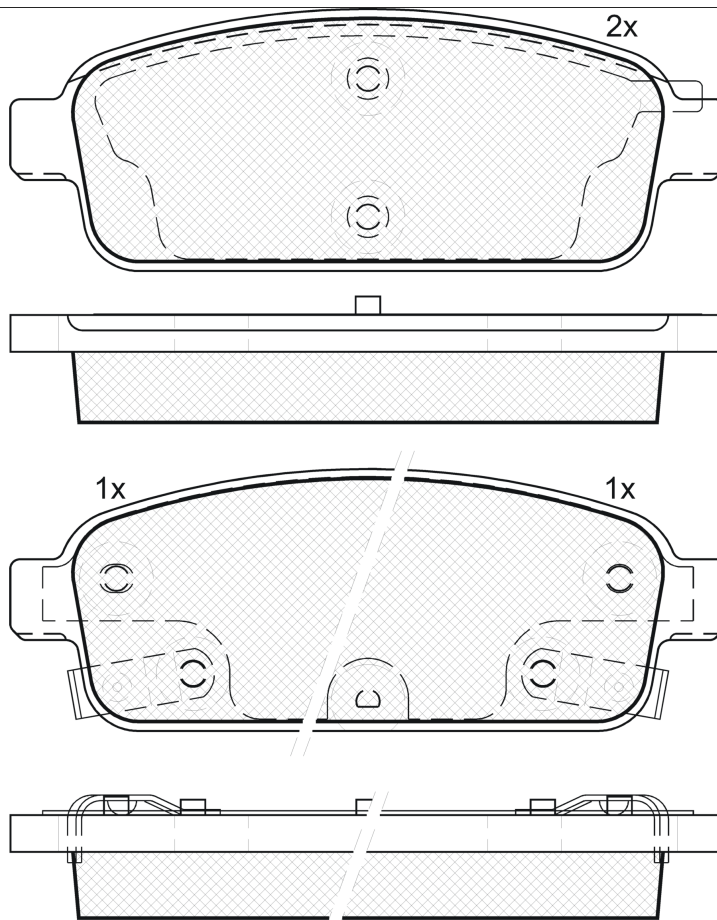
LISTA DE APLICACIONES - BUYERS GUIDE

181943



Qty: 300

Weight: 1.105



181943

E 9 90R-01111/2765



Ate - Teves

116.6x42.7x16.7

| O.E.M. | MAKE |
|------------|-----------|
| 13 310 867 | VAUXHALL |
| 13 319 293 | VAUXHALL |
| 13 319 294 | VAUXHALL |
| 13 411 380 | OPEL |
| 13 417 473 | OPEL |
| 13 473 427 | VAUXHALL |
| 1330 0867 | CHEVROLET |
| 1331 9293 | CHEVROLET |
| 1331 9294 | CHEVROLET |
| 1340 4405 | CHEVROLET |
| 1341 1380 | CHEVROLET |
| 1341 1383 | CHEVROLET |
| 1341 7473 | CADILLAC |
| 1347 3427 | CHEVROLET |
| 16 05 140 | OPEL |
| 16 05 170 | OPEL |
| 16 05 176 | OPEL |
| 16 05 180 | OPEL |
| 16 05 294 | OPEL |
| 16 05 296 | OPEL |
| 5 42 039 | OPEL |
| 5 42 040 | OPEL |
| 54 20 39 | VAUXHALL |
| 54 20 40 | VAUXHALL |
| 9551 6192 | CHEVROLET |

| WVA | FMSI |
|-------|------------|
| 25096 | D1468-8668 |
| 25097 | |
| 25098 | |

| MAKE |
|-----------------|
| BUICK |
| BUICK (SGM) |
| CADILLAC |
| CHEVROLET |
| CHEVROLET (SGM) |
| HOLDEN |
| NISSAN |
| OPEL |
| VAUXHALL |



| Trac. | CC | Kw | CV |
|-------|----|----|----|
|-------|----|----|----|



Front / Rear

BUICK

| BUICK | | | | | | Convertible (Large family car-D Segment) | | | | | |
|-------------------------------|--|---------------|-----|------|--|--|-----|--------|--|---|--|
| CASCADA 09.15- | | | | | | | | | | | |
| 1.6 (LWC) | | Gasolina | FWD | 1598 | | 149 | 203 | 09.15- | | ■ | |
| ENCORE SUV 09.12- | | | | | | SUV (Mini SUV-J Segment) | | | | | |
| 1.4 (LUV) | | Gasolina | FWD | 1364 | | 103 | 140 | 09.12- | | ■ | |
| 1.4 AWD (LUV) | | Gasolina | 4WD | 1364 | | 103 | 140 | 09.12- | | ■ | |
| 1.4 (LE2(85CUL4)) | | Gasolina | FWD | 1399 | | 114 | 155 | 09.12- | | ■ | |
| 1.4 AWD (LE2(85CUL4)) | | Gasolina | 4WD | 1399 | | 114 | 155 | 09.12- | | ■ | |
| VERANO (U.S.A.) 09.11- | | | | | | Saloon (Compact car-C Segment) | | | | | |
| 2.0 | | Gasolina | FWD | 1998 | | 186 | 253 | 09.13- | | ■ | |
| 2.4 | | Gasolina | FWD | 2384 | | 134 | 182 | 09.13- | | ■ | |
| 2.0 Flex (LHU) | | Gasol./Etanol | FWD | 1998 | | 186 | 253 | 09.12- | | ■ | |
| 2.4 FLEX (LEA) | | Gasol./Etanol | FWD | 2384 | | 134 | 182 | 09.12- | | ■ | |

BUICK (SGM)

| BUICK (SGM) | | | | | | SUV (Mini SUV-J Segment) | | | | | |
|----------------------------|--|----------|-----|------|--|--------------------------|-----|-------------|--|---|--|
| ENCORE (SJ2) 07.12- | | | | | | | | | | | |
| 1.4 | | Gasolina | FWD | 1364 | | 103 | 140 | 07.12-11.13 | | ■ | |
| 1.4 | | Gasolina | FWD | 1364 | | 103 | 140 | 07.12-11.13 | | ■ | |
| 1.4 T | | Gasolina | FWD | 1364 | | 103 | 140 | 10.12- | | ■ | |
| 1.4 T A las 4 ruedas | | Gasolina | FWD | 1364 | | 103 | 140 | 10.12- | | ■ | |
| 1.4 T (LFF) | | Gasolina | FWD | 1372 | | 105 | 143 | 12.16- | | ■ | |
| 1.4 T AWD (LFF) | | Gasolina | 4WD | 1372 | | 105 | 143 | 12.16- | | ■ | |

LISTA DE APLICACIONES - BUYERS GUIDE

| | | | | | | | | |
|--------------------------------------|---------------------------------|------------------|-----|------|--|-----|-------------|---|
| EXCELLE GT (CP2) 06.10- | | | | | Saloon (Compact car-C Segment) | | | |
| 1.6 | disc brak.rear axle | Gasolina | FWD | 1598 | 89 | 121 | 06.10- | ■ |
| 1.6 T | disc brak.rear axle | Gasolina | FWD | 1598 | 135 | 184 | 06.10- | ■ |
| 1.8 T | disc brak.rear axle | Gasolina | FWD | 1796 | 108 | 147 | 06.10- | ■ |
| EXCELLE XT (CP2) 01.10-12.15 | | | | | Hatchback (Compact car-C Segment) | | | |
| 1.6 | disc brak.rear axle | Gasolina | FWD | 1598 | 89 | 121 | 01.10- | ■ |
| 1.6 T | disc brak.rear axle | Gasolina | FWD | 1598 | 135 | 184 | 01.10- | ■ |
| 1.8 | disc brak.rear axle | Gasolina | FWD | 1796 | 108 | 147 | 01.10- | ■ |
| CADILLAC | | | | | | | | |
| ELR 09.13- | | | | | Coupe (Compact car-C Segment) | | | |
| 1.4 Range extender (LUU) | | Gasol./el éc. | FWD | 1398 | 63 | 86 | 09.13-02.16 | ■ |
| 1.4 Range extender (LUU) | | Gasol./el éc. | FWD | 1398 | 111 | 151 | 09.13-02.16 | ■ |
| CHEVROLET | | | | | | | | |
| AVEO II / SONIC (T300) 03.11- | | | | | Hatchback (Supermini car-B Segment) | | | |
| 1.4 Turbo (LUJ) | | Gasolina | FWD | 1364 | 103 | 140 | 08.13- | ■ |
| 1.8 | | Gasolina | FWD | 1796 | 101 | 137 | 09.11-07.15 | ■ |
| 1.8 | sports chassis, Syst. 15" | Gasolina | FWD | 1796 | 103 | 140 | 07.15-12.18 | ■ |
| 1.8 Flexfuel | sports chassis, Syst. 15" | Gasol./Et anol | FWD | 1796 | 101 | 137 | 09.13-07.15 | ■ |
| 1.8 Flexfuel | sports chassis, Syst. 15" | Gasol./Et anol | FWD | 1796 | 103 | 140 | 07.15-12.18 | ■ |
| AVEO II / SONIC (T300) 03.11- | | | | | Saloon (Supermini car-B Segment) | | | |
| 1.8 | | Gasolina | FWD | 1796 | 101 | 137 | 09.11-07.15 | ■ |
| 1.8 | sports chassis, Syst. 15" | Gasolina | FWD | 1796 | 103 | 140 | 07.15-12.18 | ■ |
| 1.8 Flexfuel (LUW,LWE) | sports chassis, Syst. 15" | Gasol./Et anol | FWD | 1796 | 101 | 137 | 09.13-07.15 | ■ |
| 1.8 Flexfuel | sports chassis, Syst. 15" | Gasol./Et anol | FWD | 1796 | 103 | 140 | 07.15-12.18 | ■ |
| CRUZE I (J305) 12.10- | | | | | Hatchback (Supermini car-B Segment) | | | |
| 1.4 (A 14 NET) | POC J60, Rim 16 | Gasolina | FWD | 1364 | 103 | 140 | 06.12- | ■ |
| 1.4 (LUJ) | POC J60, Rim 16 | Gasolina | FWD | 1364 | 103 | 140 | 06.12- | ■ |
| 1.4 (LDD) | Eq.V_ 15", 16", POC J60, Rim 16 | Gasolina | FWD | 1398 | 74 | 101 | 07.13-12.15 | ■ |
| 1.6 (LXT) | POC J60, Rim 16 | Gasolina | FWD | 1598 | 80 | 109 | 01.12- | ■ |
| 1.6 (LDE) | POC J60, Rim 16 | Gasolina | FWD | 1598 | 86 | 117 | 12.12- | ■ |
| 1.6 | | Gasolina | FWD | 1598 | 89 | 121 | 12.12- | ■ |
| 1.6 (LDE) | POC J60 | Gasolina | FWD | 1598 | 91 | 124 | 06.11- | ■ |
| 1.6 T | | Gasolina | FWD | 1598 | 135 | 184 | 12.12- | ■ |
| 1.8 (2H0) | POC J60, Rim 16 | Gasolina | FWD | 1796 | 103 | 140 | 10.11- | ■ |
| 1.8 (2H0) | POC J60 | Gasolina | FWD | 1796 | 104 | 141 | 06.11- | ■ |
| 1.8 Flex | | Gasolina | FWD | 1796 | 106 | 144 | 10.12- | ■ |
| 1.8 | | Gasolina | FWD | 1796 | 108 | 147 | 12.12- | ■ |
| 1.8 LPG (2H0) | POC J60 | Gasol./Gas (LPG) | FWD | 1796 | 104 | 141 | 06.11-12.15 | ■ |
| 1.7 TD (LKR) | Rim 16, POC J60 | Diesel | FWD | 1686 | 81 | 110 | 08.13-12.15 | ■ |
| 1.7 D (LUD) | POC J60, Rim 16 | Diesel | FWD | 1686 | 96 | 131 | 01.12-12.15 | ■ |
| 2.0 CDI | | Diesel | RWD | 1991 | 110 | 150 | 01.12- | ■ |
| 2.0 VCDi | | Diesel | RWD | 1998 | 110 | 150 | 12.10- | ■ |
| 2.0 CDI (LNP) | POC J60 | Diesel | FWD | 1998 | 120 | 163 | 06.11- | ■ |

LISTA DE APLICACIONES - BUYERS GUIDE

| CRUZE I (J300) 05.09- | | | | | | Saloon (Supermini car-B Segment) | | | |
|--|--------------------------------------|------------------|-----|------|-----|--|-------------|---|--|
| 1.4 (LUJ) | POC J60, Rim 16, disc brak.rear axle | Gasolina | FWD | 1364 | 103 | 140 | 09.10- | ■ | |
| 1.4 Ecotec I4 T | 01/08- | Gasolina | FWD | 1395 | 103 | 140 | 01.11- | ■ | |
| 1.4 (LDD) | Eq.V_ 15", 16", POC J60, Rim 16 | Gasolina | FWD | 1398 | 74 | 101 | 07.13- | ■ | |
| 1.4 | Rim 15 | Gasolina | FWD | 1398 | 103 | 140 | 10.13- | ■ | |
| 1.6 (LXT) | POC J60, disc brak.rear axle, Rim 16 | Gasolina | FWD | 1598 | 80 | 109 | 05.09- | ■ | |
| 1.6 (LDE) | POC J60, disc brak.rear axle | Gasolina | FWD | 1598 | 83 | 113 | 05.09- | ■ | |
| 1.6 | | Gasolina | FWD | 1598 | 86 | 117 | 12.12- | ■ | |
| 1.6 (LDE) | POC J60, Rim 16, disc brak.rear axle | Gasolina | FWD | 1598 | 86 | 117 | 12.12- | ■ | |
| 1.6 | | Gasolina | FWD | 1598 | 89 | 121 | 12.12- | ■ | |
| 1.6 (LDE) | POC J60, disc brak.rear axle | Gasolina | FWD | 1598 | 91 | 124 | 05.09- | ■ | |
| 1.6 T | | Gasolina | FWD | 1598 | 135 | 184 | 12.12- | ■ | |
| 1.8 (LUW,LWE) | disc brak.rear axle | Gasolina | FWD | 1796 | 101 | 137 | 05.09- | ■ | |
| 1.8 (LUW) | disc brak.rear axle | Gasolina | FWD | 1796 | 103 | 140 | 11.09- | ■ | |
| 1.8 (LWE) | disc brak.rear axle | Gasolina | FWD | 1796 | 103 | 140 | 11.09- | ■ | |
| 1.8 (2H0) | POC J60, disc brak.rear axle | Gasolina | FWD | 1796 | 104 | 141 | 05.09- | ■ | |
| 1.8 Flex | disc brak.rear axle | Gasolina | FWD | 1796 | 106 | 144 | 01.11- | ■ | |
| 1.8 | | Gasolina | FWD | 1796 | 108 | 147 | 12.12- | ■ | |
| 1.8 LPG (2H0) | POC J60, disc brak.rear axle | Gasol./Gas (LPG) | FWD | 1796 | 104 | 141 | 06.11- | ■ | |
| 1.8 Flex (LUW) | | Gasol./Etanol | FWD | 1796 | 101 | 137 | 09.13- | ■ | |
| 1.8 Flex (LUW) | | Gasol./Etanol | FWD | 1796 | 103 | 140 | 08.15- | ■ | |
| 1.7 TD (LKR) | POC J60, Rim 16 | Diesel | FWD | 1686 | 81 | 110 | 11.13- | ■ | |
| 1.7 D (LUD) | POC J60, Rim 16 | Diesel | FWD | 1686 | 96 | 131 | 01.12- | ■ | |
| 2.0 CDI (LUZ) | | Diesel | FWD | 1956 | 110 | 150 | 09.13- | ■ | |
| 2.0 CDI | | Diesel | RWD | 1956 | 113 | 154 | 09.13-12.15 | ■ | |
| 2.0 CDI | | Diesel | FWD | 1991 | 90 | 123 | 05.09- | ■ | |
| 2.0 CDI (LLW) | POC J60, disc brak.rear axle | Diesel | FWD | 1991 | 92 | 125 | 05.09-05.11 | ■ | |
| 2.0 CDI (LLW) | POC J60, disc brak.rear axle | Diesel | FWD | 1991 | 110 | 150 | 05.09- | ■ | |
| 2.0 CDI (LNP) | POC J60, disc brak.rear axle | Diesel | FWD | 1998 | 120 | 163 | 08.10- | ■ | |
| 2.0 VCDi (LNP) | | Diesel | FWD | 1998 | 122 | 166 | 03.12-11.18 | ■ | |
| CRUZE I Station Wagon (J308) 08.12- | | | | | | Estate (Supermini car-B Segment) | | | |
| 1.4 (LUJ) | POC J60, Rim 16 | Gasolina | FWD | 1364 | 103 | 140 | 08.12- | ■ | |
| 1.4 (LDD) | Eq.V_ 15", 16", POC J60, Rim 16 | Gasolina | FWD | 1398 | 74 | 101 | 07.13-12.15 | ■ | |
| 1.6 (LDE) | POC J60, Rim 16 | Gasolina | FWD | 1598 | 86 | 117 | 12.12-12.15 | ■ | |
| 1.6 | | Gasolina | FWD | 1598 | 89 | 121 | 12.12- | ■ | |
| 1.6 (LDE) | POC J60, Rim 16 | Gasolina | FWD | 1598 | 91 | 124 | 08.12-12.15 | ■ | |
| 1.6 T | | Gasolina | FWD | 1598 | 135 | 184 | 12.12- | ■ | |
| 1.8 (2H0) | POC J60, Rim 16 | Gasolina | FWD | 1796 | 104 | 141 | 08.12- | ■ | |
| 1.8 | | Gasolina | FWD | 1796 | 108 | 147 | 12.12- | ■ | |
| 1.7 TD (LKR) | POC J60, Rim 16 | Diesel | FWD | 1686 | 81 | 110 | 11.13-12.15 | ■ | |
| 1.7 TD (LUD) | POC J60, Rim 16 | Diesel | FWD | 1686 | 96 | 131 | 08.12- | ■ | |
| 2.0 TD (LNP) | POC J60, Rim 16 | Diesel | FWD | 1998 | 120 | 163 | 08.12- | ■ | |
| CRUZE II (J405) 01.17- | | | | | | Hatchback (Supermini car-B Segment) | | | |
| 1.4 Flex (LE2(85CUL4)) | | Gasol./Etanol | FWD | 1399 | 113 | 153 | 01.17-12.23 | ■ | |
| ORLANDO (J309) 12.10- | | | | | | MPV (Compact MPV-M1 Segment) | | | |
| 1.4 (LUJ) | | Gasolina | FWD | 1362 | 103 | 140 | 06.12- | ■ | |

LISTA DE APLICACIONES - BUYERS GUIDE

| | | | | | | | | | |
|--------------------------------|--|------------------|-----|------|--|-----|-------------|---|--|
| 1.8 (2H0) | | Gasolina | FWD | 1796 | 104 | 141 | 02.11- | ■ | |
| 2.4 | | Gasolina | FWD | 2384 | 130 | 177 | 09.11-12.12 | ■ | |
| 2.4 | | Gasolina | FWD | 2384 | 134 | 182 | 01.13- | ■ | |
| 1.8 LPG (2H0) | | Gasol./Gas (LPG) | FWD | 1796 | 104 | 141 | 06.11-12.15 | ■ | |
| 2.0 LPG (LTD) | | Gasol./Gas (LPG) | FWD | 1998 | 103 | 140 | 02.12- | ■ | |
| 2.4 FLEX (LEA) | | Gasol./Etanol | FWD | 2384 | 130 | 177 | 07.13- | ■ | |
| 1.5 D | | Diesel | FWD | 1598 | 98 | 135 | 01.13- | ■ | |
| 2.0 D (LNP) | | Diesel | FWD | 1998 | 96 | 131 | 02.11-12.15 | ■ | |
| 2.0 D (LNP) | | Diesel | FWD | 1998 | 120 | 163 | 02.11- | ■ | |
| TRAX / TRACKER 12.12- | | | | | SUV (Mini SUV-J Segment) | | | | |
| 1.4 (LUJ) | | Gasolina | FWD | 1364 | 103 | 140 | 12.12- | ■ | |
| 1.4 AWD (LUJ) | | Gasolina | 4WD | 1364 | 103 | 140 | 12.12- | ■ | |
| 1.6 (LDE) | | Gasolina | FWD | 1598 | 85 | 116 | 12.12- | ■ | |
| 1.6 | | Gasolina | FWD | 1598 | 85 | 116 | 12.12- | ■ | |
| 1.8 (2H0) | | Gasolina | FWD | 1796 | 103 | 140 | 03.13- | ■ | |
| 1.8 AWD (2H0) | | Gasolina | 4WD | 1796 | 103 | 140 | 03.13- | ■ | |
| 1.4 LPG (LUJ) | | Gasol./Gas (LPG) | FWD | 1364 | 103 | 140 | 04.13- | ■ | |
| 1.4 Flex (LE2(85CUL4)) | | Gasol./Etanol | FWD | 1399 | 113 | 153 | 01.17- | ■ | |
| 1.8 Flex (LFH) | | Gasol./Etanol | FWD | 1796 | 106 | 144 | 10.13-02.17 | ■ | |
| D AWD | | Diesel | 4WD | 1598 | 99 | 135 | 01.16- | ■ | |
| 1.6 D (LVL) | | Diesel | FWD | 1598 | 100 | 136 | 11.14-12.15 | ■ | |
| 1.6 D AWD (LVL) | | Diesel | 4WD | 1598 | 100 | 136 | 11.14-12.15 | ■ | |
| 1.7 TD (LUD) | | Diesel | FWD | 1686 | 96 | 131 | 12.12- | ■ | |
| 1.7 TD AWD (LUD) | | Diesel | 4WD | 1686 | 96 | 131 | 12.12- | ■ | |
| VOLT 04.11- | | | | | Hatchback (Compact car-C Segment) | | | | |
| EV 150 (LUU) | | Gasol./eléc. | FWD | 1398 | 111 | 151 | 11.11- | ■ | |
| CHEVROLET (SGM) | | | | | | | | | |
| CRUZE (CP1) 09.13- | | | | | Hatchback (Supermini car-B Segment) | | | | |
| 1.6 (LDE) | | Gasolina | FWD | 1598 | 89 | 121 | 09.13-02.17 | ■ | |
| 1.6 (LLU) | | Gasolina | FWD | 1598 | 135 | 184 | 09.13-02.17 | ■ | |
| CRUZE (CP1) 04.09-07.16 | | | | | Saloon (Supermini car-B Segment) | | | | |
| 1.6 | | Gasolina | FWD | 1598 | 86 | 117 | 04.09- | ■ | |
| 1.6 (LDE) | | Gasolina | FWD | 1598 | 86 | 117 | 04.09-12.13 | ■ | |
| 1.6 T | | Gasolina | FWD | 1598 | 135 | 184 | 11.10- | ■ | |
| 1.8 | | Gasolina | FWD | 1796 | 105 | 143 | 04.09- | ■ | |
| 1.8 (2H0) | | Gasolina | FWD | 1796 | 105 | 143 | 04.09-12.11 | ■ | |
| TRAX (SJ3) 04.14- | | | | | SUV (Mini SUV-J Segment) | | | | |
| 1.4 T (LFF) | | Gasolina | FWD | 1372 | 103 | 140 | 04.14- | ■ | |
| 1.4 T AWD (LFF) | | Gasolina | 4WD | 1372 | 103 | 140 | 04.14- | ■ | |
| 1.4 T | | Gasolina | FWD | 1372 | 105 | 143 | 11.16- | ■ | |
| 1.4 T AWD | | Gasolina | FWD | 1372 | 105 | 143 | 11.16- | ■ | |
| HOLDEN | | | | | | | | | |
| ASTRA (PJ) 12.14- | | | | | Hatchback (Compact car-C Segment) | | | | |
| 1.6 GTC Sport | | Gasolina | FWD | 1598 | 125 | 170 | 12.14- | ■ | |
| 1.6 GTC Sport | | Gasolina | FWD | 1598 | 147 | 200 | 12.14- | ■ | |

LISTA DE APLICACIONES - BUYERS GUIDE

| | | | | | | | | | |
|--|----------------------|---------------|-----|------|--|-----|-------------|---|--|
| 2.0 VXR | discØ 292 | Gasolina | FWD | 1998 | 206 | 280 | 12.14- | ■ | |
| ASTRA (BL) 06.17- | | | | | Saloon (Compact car-C Segment) | | | | |
| 1.4 (B 14 XFT) | | Gasolina | FWD | 1399 | 110 | 150 | 06.17- | ■ | |
| BARINA (TM) 11.11- | | | | | Hatchback (Supermini car-B Segment) | | | | |
| 1.4 Turbo | | Gasolina | FWD | 1364 | 103 | 140 | 07.13- | ■ | |
| CASCADA (CJ) 08.14- | | | | | Convertible (Large family car-D Segment) | | | | |
| 1.6 | | Gasolina | FWD | 1598 | 125 | 170 | 12.14- | ■ | |
| 1.6 (A 16 XHT) | | Gasolina | FWD | 1598 | 147 | 200 | 08.14-01.15 | ■ | |
| CRUZE II (JH) 06.12- | | | | | Estate (Supermini car-B Segment) | | | | |
| 1.8 i | Rim 15, Syst. J67 | Gasolina | FWD | 1796 | 104 | 141 | 06.12- | ■ | |
| 2.0 DTFi | Rim 15, Syst. J67 | Diesel | RWD | 1991 | 120 | 163 | 06.12- | ■ | |
| CRUZE II (JH) 11.11- | | | | | Hatchback (Supermini car-B Segment) | | | | |
| 1.4 i Turbo | | Gasolina | FWD | 1364 | 103 | 140 | 11.11- | ■ | |
| 1.6 i | Syst. 16" | Gasolina | FWD | 1598 | 132 | 180 | 04.13- | ■ | |
| 1.8 i | | Gasolina | FWD | 1796 | 104 | 141 | 11.11- | ■ | |
| 2.0 DTFi | | Diesel | RWD | 1991 | 120 | 163 | 11.11- | ■ | |
| CRUZE II (JG) 06.09-03.11 | | | | | Saloon (Supermini car-B Segment) | | | | |
| 1.4 i Turbo | | Gasolina | FWD | 1364 | 103 | 140 | 03.11- | ■ | |
| 1.6 i | Syst. 16" | Gasolina | FWD | 1598 | 132 | 180 | 04.13- | ■ | |
| 1.8 i | | Gasolina | FWD | 1796 | 104 | 141 | 06.09-03.11 | ■ | |
| 1.8 i (F18D) | disc brak.rear axle | Gasolina | FWD | 1796 | 104 | 141 | 04.11-12.16 | ■ | |
| 2.0 DTFi | | Diesel | RWD | 1991 | 110 | 150 | 06.09-03.11 | ■ | |
| 2.0 | disc brak.rear axle | Diesel | FWD | 1991 | 120 | 163 | 03.11-07.12 | ■ | |
| 2.0 DTFi | | Diesel | RWD | 1991 | 120 | 163 | 03.11- | ■ | |
| TRAX (TJ) 10.13- | | | | | Closed Off-Road Vehicle (Compact SUV-J Segment) | | | | |
| 1.4 | | Gasolina | FWD | 1364 | 103 | 140 | 08.14- | ■ | |
| 1.8 | | Gasolina | FWD | 1796 | 103 | 140 | 01.14- | ■ | |
| VOLT (EV) 04.11- | | | | | Saloon (Compact car-C Segment) | | | | |
| EV 150 | | Gasolina | FWD | | 111 | 151 | 11.11- | ■ | |
| NISSAN | | | | | | | | | |
| ROGUE 01.07-12.15 | | | | | SUV (Compact SUV-J Segment) | | | | |
| 2.5 | discØ 268, discØ 292 | Gasolina | FWD | 2488 | 124 | 169 | 01.10-11.13 | ■ | |
| 2.5 AWD | discØ 268, discØ 292 | Gasolina | 4WD | 2488 | 124 | 169 | 01.10-11.13 | ■ | |
| 2.5 | discØ 268, discØ 292 | Gasolina | FWD | 2488 | 125 | 170 | 01.10-11.13 | ■ | |
| 2.5 AWD (QR25DE) | discØ 268, discØ 292 | Gasolina | 4WD | 2488 | 125 | 170 | 01.10-11.13 | ■ | |
| OPEL | | | | | | | | | |
| AMPERA (R12) 11.11- | | | | | Hatchback (Compact car-C Segment) | | | | |
| EV 150 (A 14 XFL) | | Gasol./el éc. | FWD | 1398 | 111 | 151 | 11.11-03.15 | ■ | |
| ASTRA H CLASSIC (A04) 01.09-05.14 | | | | | Estate (Compact car-C Segment) | | | | |
| 1.7 CDTI (L35) (A 17 DTR) | | Diesel | FWD | 1686 | 92 | 125 | 01.09-05.14 | ■ | |
| 1.7 CDTI (L35) (Z 17 DTR) | | Diesel | FWD | 1686 | 92 | 125 | 01.09-05.14 | ■ | |
| ASTRA H CLASSIC (A04) 01.09- | | | | | Hatchback (Compact car-C Segment) | | | | |
| 1.8 (L48) (Z 18 XER) | Syst. 16" | Gasolina | FWD | 1796 | 103 | 140 | 02.13-05.14 | ■ | |
| 1.7 CDTI (L48) (A 17 DTR) | Syst. 16" | Diesel | FWD | 1686 | 92 | 125 | 01.09-05.14 | ■ | |
| 1.7 CDTI (L48) (Z 17 DTR) | Syst. 16" | Diesel | FWD | 1686 | 92 | 125 | 01.09-05.14 | ■ | |

LISTA DE APLICACIONES - BUYERS GUIDE

| | | | | | | Estate Van (Compact car-C Segment) | | | | |
|----------------------------------|--|------------------|-----|------|-----|--|-------------|--|---|--|
| ASTRA J (P10) 09.09-10.15 | | | | | | | | | | |
| 1.3 CDTI (35) (A 13 DTE) | discØ 268, discØ 292, POC J67 | Diesel | FWD | 1248 | 70 | 95 | 10.12-10.15 | | ■ | |
| 1.6 CDTi (35) (B 16 DTL) | discØ 292, POC J60 | Diesel | FWD | 1598 | 81 | 110 | 01.14-10.15 | | ■ | |
| 1.7 CDTI (35) (A 17 DTF) | discØ 268, discØ 292, POC J60 | Diesel | FWD | 1686 | 96 | 131 | 10.12-10.15 | | ■ | |
| 1.7 CDTI (35) (A 17 DTS) | discØ 268, discØ 292, POC J60 | Diesel | FWD | 1686 | 96 | 131 | 10.12-10.15 | | ■ | |
| 2.0 CDTI (35) (A 20 DTH) | discØ 268, discØ 292, POC J60 | Diesel | FWD | 1956 | 121 | 165 | 10.12-10.15 | | ■ | |
| ASTRA J (P10) 09.09-10.15 | | | | | | Hatchback Van (Compact car-C Segment) | | | | |
| 1.3 CDTI (68) (A 13 DTE) | discØ 268, discØ 292, POC J67 | Diesel | FWD | 1248 | 70 | 95 | 05.13-10.15 | | ■ | |
| 1.6 CDTi (68) (B 16 DTL) | discØ 292, POC J60 | Diesel | FWD | 1598 | 81 | 110 | 01.14-10.15 | | ■ | |
| 1.6 CDTi | | Diesel | FWD | 1598 | 100 | 136 | 05.13-10.15 | | ■ | |
| 1.7 CDTI (68) (A 17 DTC) | discØ 268, discØ 292, POC J60 | Diesel | FWD | 1686 | 81 | 110 | 05.13-10.15 | | ■ | |
| 1.7 CDTI (68) (A 17 DTE) | discØ 268, discØ 292, POC J60 | Diesel | FWD | 1686 | 81 | 110 | 05.13-10.15 | | ■ | |
| ASTRA J (P10) 09.09-04.16 | | | | | | Hatchback (Compact car-C Segment) | | | | |
| 1.4 Turbo (68) (A 14 NEL) | discØ 276, discØ 292, discØ 268, POC J67 | Gasolina | FWD | 1364 | 88 | 120 | 10.10-10.15 | | ■ | |
| 1.4 Turbo (68) (B 14 NEL) | discØ 276, discØ 292, discØ 268, POC J67 | Gasolina | FWD | 1364 | 88 | 120 | 10.10-10.15 | | ■ | |
| 1.4 Turbo (68) (A 14 NET) | discØ 276, discØ 292, discØ 268, POC J67 | Gasolina | FWD | 1364 | 103 | 140 | 12.09-10.15 | | ■ | |
| 1.4 Turbo (68) (B 14 NET) | discØ 276, discØ 292, discØ 268, POC J67 | Gasolina | FWD | 1364 | 103 | 140 | 12.09-10.15 | | ■ | |
| 1.4 (68) (A 14 XEL) | discØ 268, discØ 292, POC J67 | Gasolina | FWD | 1398 | 64 | 87 | 12.09-10.15 | | ■ | |
| 1.4 (68) (A 14 XER) | discØ 268, discØ 292, POC J67 | Gasolina | FWD | 1398 | 74 | 100 | 12.09-10.15 | | ■ | |
| 1.4 (68) (B 14 XER) | discØ 268, discØ 292, POC J67 | Gasolina | FWD | 1398 | 74 | 100 | 12.09-10.15 | | ■ | |
| 1.6 (68) (A 16 XER) | discØ 268, discØ 292, POC J67 | Gasolina | FWD | 1598 | 85 | 115 | 12.09-10.15 | | ■ | |
| 1.6 (68) (B 16 XER) | discØ 268, discØ 292, POC J67 | Gasolina | FWD | 1598 | 85 | 115 | 12.09-10.15 | | ■ | |
| 1.6 SIDI (68) (A 16 XHT) | discØ 292, POC J60 | Gasolina | FWD | 1598 | 125 | 170 | 12.12-10.15 | | ■ | |
| 1.6 SIDI (68) (B 16 SHL) | discØ 292, POC J60 | Gasolina | FWD | 1598 | 125 | 170 | 12.12-10.15 | | ■ | |
| 1.6 Turbo (68) (A 16 LET) | discØ 268, discØ 292, POC J60 | Gasolina | FWD | 1598 | 132 | 180 | 12.09-10.15 | | ■ | |
| 1.6 Turbo 4x4 (68) (A 16 LET) | discØ 268, discØ 292 | Gasolina | 4WD | 1598 | 132 | 180 | 12.09-10.15 | | ■ | |
| 1.4 LPG (68) (A 14 NET) | discØ 268, POC J67 | Gasol./Gas (LPG) | FWD | 1364 | 103 | 140 | 01.12-10.15 | | ■ | |
| 1.3 CDTI (68) (A 13 DTE) | discØ 268, discØ 292, POC J67 | Diesel | FWD | 1248 | 70 | 95 | 12.09-10.15 | | ■ | |
| 1.6 CDTi (68) (B 16 DTL) | discØ 292, POC J60 | Diesel | FWD | 1598 | 81 | 110 | 02.14-10.15 | | ■ | |
| 1.6 CDTi (68) (B 16 DTH) | discØ 292, POC J60 | Diesel | FWD | 1598 | 100 | 136 | 11.13-10.15 | | ■ | |
| 1.7 CDTI (68) | discØ 268, discØ 292 | Diesel | FWD | 1686 | 74 | 101 | 10.10-10.15 | | ■ | |
| 1.7 CDTI (68) (A 17 DTC) | discØ 268, discØ 292, POC J60 | Diesel | FWD | 1686 | 81 | 110 | 09.09-10.15 | | ■ | |
| 1.7 CDTI (68) (A 17 DTE) | discØ 268, discØ 292, POC J60 | Diesel | FWD | 1686 | 81 | 110 | 09.09-10.15 | | ■ | |
| 1.7 CDTI (68) (A 17 DTJ) | discØ 268, discØ 292, POC J60 | Diesel | FWD | 1686 | 81 | 110 | 09.09-10.15 | | ■ | |
| 1.7 CDTI (68) (A 17 DTR) | discØ 268, discØ 292, POC J60 | Diesel | FWD | 1686 | 92 | 125 | 12.09-10.15 | | ■ | |
| 1.7 CDTI (68) (A 17 DTF) | discØ 268, discØ 292, POC J60 | Diesel | FWD | 1686 | 96 | 131 | 07.11-10.15 | | ■ | |
| 1.7 CDTI (68) (A 17 DTS) | discØ 268, discØ 292, POC J60 | Diesel | FWD | 1686 | 96 | 131 | 07.11-10.15 | | ■ | |
| 2.0 CDTi (A 20 DTH) | | Diesel | FWD | 1956 | 96 | 131 | 10.14-10.15 | | ■ | |

LISTA DE APLICACIONES - BUYERS GUIDE

| | | | | | | | | | |
|----------------------------------|--|------------------|-----|------|-----|-----|--|---|--|
| 2.0 CDTI (68) (A 20 DTH) | discØ 268, discØ 292, POC J60 | Diesel | FWD | 1956 | 118 | 160 | 09.09-10.15 | ■ | |
| 2.0 CDTI (68) (A 20 DTH) | discØ 268 discØ 292, POC J60 | Diesel | FWD | 1956 | 121 | 165 | 06.11-10.15 | ■ | |
| 2.0 Biturbo CDTI (68) (A 20 DTR) | discØ 292, POC J17 | Diesel | FWD | 1956 | 143 | 194 | 09.12-10.15 | ■ | |
| ASTRA J 06.12- | | | | | | | Saloon (Compact car-C Segment) | | |
| 1.4 Turbo (69) (A 14 NEL) | Eq.V_ Llantaa 15,16", discØ 268 discØ 292, POC J67 | Gasolina | FWD | 1364 | 88 | 120 | 06.12-10.15 | ■ | |
| 1.4 Turbo (69) (B 14 NEL) | Eq.V_ Llantaa 15,16", discØ 268 discØ 292, POC J67 | Gasolina | FWD | 1364 | 88 | 120 | 06.12-10.15 | ■ | |
| 1.4 Turbo (69) (A 14 NET) | Eq.V_ Llantaa 15,16", discØ 268 discØ 292, POC J67 | Gasolina | FWD | 1364 | 103 | 140 | 06.12-06.18 | ■ | |
| 1.4 Turbo (69) (B 14 NET) | Eq.V_ Llantaa 15,16", discØ 268 discØ 292, POC J67 | Gasolina | FWD | 1364 | 103 | 140 | 06.12-06.18 | ■ | |
| 1.4 (A 14 XEL) | discØ 268, discØ 292, POC J67 | Gasolina | FWD | 1398 | 64 | 87 | 01.14-10.15 | ■ | |
| 1.4 (69) (A 14 XER) | Eq.V_ Llantaa 15,16", discØ 268 discØ 292, POC J67 | Gasolina | FWD | 1398 | 74 | 101 | 06.12-10.15 | ■ | |
| 1.4 (69) (B 14 XER) | Eq.V_ Llantaa 15,16", discØ 268 discØ 292, POC J67 | Gasolina | FWD | 1398 | 74 | 101 | 06.12-10.15 | ■ | |
| 1.6 (69) (A 16 XER) | Eq.V_ Llantaa 15,16", discØ 268 discØ 292, POC J67 | Gasolina | FWD | 1598 | 85 | 116 | 06.12-06.18 | ■ | |
| 1.6 (69) (B 16 XER) | Eq.V_ Llantaa 15,16", discØ 268 discØ 292, POC J67 | Gasolina | FWD | 1598 | 85 | 116 | 06.12-06.18 | ■ | |
| 1.6 SIDI (69) (A 16 XHT) | Eq.V_ Llantaa 15,16", discØ 268 discØ 292, POC J60 | Gasolina | FWD | 1598 | 125 | 170 | 06.12-10.15 | ■ | |
| 1.6 Turbo (69) (A 16 LET) | Eq.V_ Llantaa 15,16", discØ 268 discØ 292, POC J60 | Gasolina | FWD | 1598 | 132 | 180 | 06.12-10.13 | ■ | |
| 1.4 Turbo LPG (69) (A 14 NET) | discØ 268, POC J67 | Gasol./Gas (LPG) | FWD | 1364 | 103 | 140 | 07.14-06.18 | ■ | |
| 1.3 CDTI (69) (A 13 DTE) | Eq.V_ Llantaa 15,16", discØ 268 discØ 292, POC J67 | Diesel | FWD | 1248 | 70 | 95 | 06.12-10.15 | ■ | |
| 1.6 CDTi (69) (B 16 DTL) | Eq.V_ Llantaa 15,16", discØ 268 discØ 292, POC J60 | Diesel | FWD | 1598 | 81 | 110 | 04.14-06.18 | ■ | |
| 1.6 CDTi (69) (B 16 DTH) | Eq.V_ Llantaa 15,16", discØ 268 discØ 292, POC J60 | Diesel | FWD | 1598 | 100 | 136 | 01.14-06.18 | ■ | |
| 1.7 CDTi | discØ 268 | Diesel | FWD | 1686 | 74 | 101 | 06.12-10.15 | ■ | |
| 1.7 CDTI (69) (A 17 DTC) | Eq.V_ Llantaa 15,16", discØ 268 discØ 292, POC J60 | Diesel | FWD | 1686 | 81 | 110 | 06.12-10.15 | ■ | |
| 1.7 CDTI (69) (A 17 DTE) | Eq.V_ Llantaa 15,16", discØ 268 discØ 292, POC J60 | Diesel | FWD | 1686 | 81 | 110 | 06.12-10.15 | ■ | |
| 1.7 CDTI (69) (A 17 DTJ) | Eq.V_ Llantaa 15,16", discØ 268 discØ 292, POC J60 | Diesel | FWD | 1686 | 81 | 110 | 06.12-10.15 | ■ | |
| 1.7 CDTI (69) (A 17 DTF) | Eq.V_ Llantaa 15,16", discØ 268 discØ 292, POC J60 | Diesel | FWD | 1686 | 96 | 131 | 06.12-10.15 | ■ | |
| 1.7 CDTI (69) (A 17 DTS) | Eq.V_ Llantaa 15,16", discØ 268 discØ 292, POC J60 | Diesel | FWD | 1686 | 96 | 131 | 06.12-10.15 | ■ | |
| ASTRA J GTC 10.11- | | | | | | | Hatchback (Compact car-C Segment) | | |
| 1.4 (08) (A 14 NEL) | discØ 268, discØ 292, POC J67 | Gasolina | FWD | 1364 | 88 | 120 | 10.11-04.18 | ■ | |
| 1.4 (08) (B 14 NEL) | discØ 268, discØ 292, POC J67 | Gasolina | FWD | 1364 | 88 | 120 | 10.11-04.18 | ■ | |
| 1.4 Turbo (08) (A 14 NET) | discØ 268, POC J67 | Gasolina | FWD | 1364 | 103 | 140 | 10.11-04.18 | ■ | |
| 1.4 Turbo (08) (B 14 NET) | discØ 268, POC J67 | Gasolina | FWD | 1364 | 103 | 140 | 10.11-04.18 | ■ | |
| 1.4 (08) (A 14 XER) | discØ 268, discØ 292, POC J67 | Gasolina | FWD | 1398 | 74 | 101 | 10.11-11.13 | ■ | |
| 1.6 SIDI (08) (A 16 XHT) | discØ 292, POC J60 | Gasolina | FWD | 1598 | 125 | 170 | 12.12-04.18 | ■ | |
| 1.6 SIDI (08) (B 16 SHL) | discØ 292, POC J60 | Gasolina | FWD | 1598 | 125 | 170 | 12.12-04.18 | ■ | |
| 1.6 Turbo (08) (A 16 LET) | discØ 268 discØ 292, POC J60 | Gasolina | FWD | 1598 | 132 | 180 | 10.11-06.13 | ■ | |
| 1.6 SIDI (08) (A 16 SHT) | discØ 292, POC J17 | Gasolina | FWD | 1598 | 147 | 200 | 07.13-04.18 | ■ | |
| 1.6 SIDI (08) (B 16 SHT) | discØ 292, POC J17 | Gasolina | FWD | 1598 | 147 | 200 | 07.13-04.18 | ■ | |
| 1.8 (08) (A 18 XER) | discØ 292, POC J17 | Gasolina | FWD | 1796 | 103 | 140 | 10.11-10.13 | ■ | |
| 2.0 OPC Turbo (08) (A 20 NFT) | discØ 315, POC JQ5 | Gasolina | FWD | 1998 | 206 | 280 | 04.12-04.18 | ■ | |
| 2.0 OPC Turbo (08) (B 20 NFT) | discØ 315, POC JQ5 | Gasolina | FWD | 1998 | 206 | 280 | 04.12-04.18 | ■ | |

LISTA DE APLICACIONES - BUYERS GUIDE

| | | | | | | | | |
|---|-------------------------------------|------------------|-----|---|-----|-----|-------------|---|
| 1.6 CDTI (08) (B 16 DTL) | discØ 292, POC J60 | Diesel | FWD | 1598 | 81 | 110 | 07.14-04.18 | ■ |
| 1.6 CDTI (08) (B 16 DTH) | discØ 292, POC J60 | Diesel | FWD | 1598 | 100 | 136 | 07.14-04.18 | ■ |
| 1.7 CDTI (08) (A 17 DTC) | discØ 292, POC J60 | Diesel | FWD | 1686 | 81 | 110 | 03.12-10.13 | ■ |
| 1.7 CDTI (08) (A 17 DTE) | discØ 292, POC J60 | Diesel | FWD | 1686 | 81 | 110 | 03.12-10.13 | ■ |
| 1.7 CDTI (08) (A 17 DTJ) | discØ 292, POC J60 | Diesel | FWD | 1686 | 81 | 110 | 03.12-10.13 | ■ |
| 1.7 CDTI (08) (A 17 DTF) | discØ 292, POC J60 | Diesel | FWD | 1686 | 96 | 131 | 03.12-06.14 | ■ |
| 1.7 CDTI (08) (A 17 DTS) | discØ 292, POC J60 | Diesel | FWD | 1686 | 96 | 131 | 03.12-06.14 | ■ |
| 2.0 CDTI (08) (A 20 DTH) | discØ 292, POC J60 | Diesel | FWD | 1956 | 96 | 131 | 01.12-10.15 | ■ |
| 2.0 CDTI (08) (A 20 DTH) | discØ 268 discØ 292, POC J60 | Diesel | FWD | 1956 | 121 | 165 | 01.12-06.15 | ■ |
| 2.0 Biturbo CDTI (08) (A 20 DTR) | discØ 292, POC J17 | Diesel | FWD | 1956 | 143 | 194 | 10.13-06.15 | ■ |
| ASTRA J Sports Tourer (P10) 10.10- | | | | Estate (Compact car-C Segment) | | | | |
| 1.4 Turbo (35) (A 14 NEL) | discØ 268 discØ 292, POC J67 | Gasolina | FWD | 1364 | 88 | 120 | 10.10-10.15 | ■ |
| 1.4 Turbo (35) (B 14 NEL) | discØ 268 discØ 292, POC J67 | Gasolina | FWD | 1364 | 88 | 120 | 10.10-10.15 | ■ |
| 1.4 Turbo (35) (A 14 NET) | discØ 268 discØ 292, POC J67 | Gasolina | FWD | 1364 | 103 | 140 | 10.10-10.15 | ■ |
| 1.4 Turbo (35) (B 14 NET) | discØ 268 discØ 292, POC J67 | Gasolina | FWD | 1364 | 103 | 140 | 10.10-10.15 | ■ |
| 1.4 (35) (A 14 XEL) | discØ 268, POC J67 | Gasolina | FWD | 1398 | 64 | 87 | 10.10-10.15 | ■ |
| 1.4 (35) (A 14 XER) | discØ 268 discØ 292, POC J67 | Gasolina | FWD | 1398 | 74 | 101 | 10.10-10.15 | ■ |
| 1.4 (35) (B 14 XER) | discØ 268 discØ 292, POC J67 | Gasolina | FWD | 1398 | 74 | 101 | 10.10-10.15 | ■ |
| 1.6 (35) (A 16 XER) | discØ 268 discØ 292, POC J67 | Gasolina | FWD | 1598 | 85 | 116 | 10.10-10.15 | ■ |
| 1.6 (35) (B 16 XER) | discØ 268 discØ 292, POC J67 | Gasolina | FWD | 1598 | 85 | 116 | 10.10-10.15 | ■ |
| 1.6 SIDI (35) (A 16 XHT) | discØ 292, POC J60 | Gasolina | FWD | 1598 | 125 | 170 | 12.12-10.15 | ■ |
| 1.6 SIDI (35) (B 16 SHL) | discØ 292, POC J60 | Gasolina | FWD | 1598 | 125 | 170 | 12.12-10.15 | ■ |
| 1.6 Turbo (35) (A 16 LET) | discØ 276 discØ 292, POC J60 | Gasolina | FWD | 1598 | 132 | 180 | 10.10-10.15 | ■ |
| 1.4 LPG (35) (A 14 NET) | discØ 268, POC J67 | Gasol./Gas (LPG) | FWD | 1364 | 103 | 140 | 12.11-10.15 | ■ |
| 1.3 CDTI (35) (A 13 DTE) | discØ 268 discØ 292, POC J67 | Diesel | FWD | 1248 | 70 | 95 | 10.10-10.14 | ■ |
| 1.6 CDTi (35) (B 16 DTL) | discØ 292, POC J60 | Diesel | FWD | 1598 | 81 | 110 | 02.14-10.15 | ■ |
| 1.6 CDTi (35) (B 16 DTH) | discØ 292, POC J60 | Diesel | FWD | 1598 | 100 | 136 | 11.13-10.15 | ■ |
| 1.7 CDTI (35) (A 17 DTL) | Syst. J60 / J67, discØ 292, POC J60 | Diesel | FWD | 1686 | 74 | 101 | 10.10-10.15 | ■ |
| 1.7 CDTI (35) (A 17 DTN) | Syst. J60 / J67, discØ 292, POC J60 | Diesel | FWD | 1686 | 74 | 101 | 10.10-10.15 | ■ |
| 1.7 CDTI (35) (A 17 DTC) | discØ 268 discØ 292, POC J60 | Diesel | FWD | 1686 | 81 | 110 | 10.10-10.15 | ■ |
| 1.7 CDTI (35) (A 17 DTE) | discØ 268 discØ 292, POC J60 | Diesel | FWD | 1686 | 81 | 110 | 10.10-10.15 | ■ |
| 1.7 CDTI (35) (A 17 DTJ) | discØ 268 discØ 292, POC J60 | Diesel | FWD | 1686 | 81 | 110 | 10.10-10.15 | ■ |
| 1.7 CDTI (35) (A 17 DTR) | discØ 268 discØ 292, POC J60 | Diesel | FWD | 1686 | 92 | 125 | 10.10-10.15 | ■ |
| 1.7 CDTI (35) (A 17 DTF) | discØ 268, discØ 292, POC J60 | Diesel | FWD | 1686 | 96 | 131 | 10.10-10.15 | ■ |
| 1.7 CDTI (35) (A 17 DTS) | discØ 268, discØ 292, POC J60 | Diesel | FWD | 1686 | 96 | 131 | 10.10-10.15 | ■ |
| 2.0 CDTI (35) | discØ 292, POC J60 | Diesel | FWD | 1956 | 96 | 131 | 01.14-10.15 | ■ |
| 2.0 CDTI (35) (A 20 DTH) | discØ 268 discØ 292, POC J60 | Diesel | FWD | 1956 | 118 | 160 | 10.10-10.15 | ■ |
| 2.0 CDTI (35) (A 20 DTH) | discØ 268, discØ 292, POC J60 | Diesel | FWD | 1956 | 121 | 165 | 08.11-10.15 | ■ |
| 2.0 Biturbo CDTI (35) (A 20 DTR) | discØ 292, POC J17 | Diesel | FWD | 1956 | 143 | 194 | 09.12-10.15 | ■ |
| CASCADA (W13) 03.13- | | | | Convertible (Large family car-D Segment) | | | | |
| 1.4 (67) (A 14 NEL) | | Gasolina | FWD | 1364 | 88 | 120 | 04.13-04.18 | ■ |

LISTA DE APLICACIONES - BUYERS GUIDE

| | | | | | | | | |
|---|---|------------------|-----|-------------------------------------|-----|-----|-------------|---|
| 1.4 (67) (B 14 NEL) | | Gasolina | FWD | 1364 | 88 | 120 | 04.13-04.18 | ■ |
| 1.4 Turbo (67) (A 14 NET) | | Gasolina | FWD | 1364 | 103 | 140 | 03.13-04.18 | ■ |
| 1.4 Turbo (67) (B 14 NET) | | Gasolina | FWD | 1364 | 103 | 140 | 03.13-04.18 | ■ |
| 1.6 (67) (D 16 SHJ) | | Gasolina | FWD | 1598 | 100 | 136 | 05.18-04.19 | ■ |
| 1.6 SIDI (67) (A 16 XHT) | | Gasolina | FWD | 1598 | 125 | 170 | 04.13-04.19 | ■ |
| 1.6 SIDI (67) (B 16 SHL) | | Gasolina | FWD | 1598 | 125 | 170 | 04.13-04.19 | ■ |
| 1.6 SIDI (67) (D 16 SHL) | | Gasolina | FWD | 1598 | 125 | 170 | 04.13-04.19 | ■ |
| 1.6 (67) (A 16 SHT) | | Gasolina | FWD | 1598 | 147 | 200 | 11.13-04.18 | ■ |
| 1.6 (67) (B 16 SHT) | | Gasolina | FWD | 1598 | 147 | 200 | 11.13-04.18 | ■ |
| 2.0 CDTI (67) (A 20 DTH) | | Diesel | FWD | 1956 | 121 | 165 | 04.13-06.15 | ■ |
| 2.0 CDTI (67) (B 20 DTH) | | Diesel | FWD | 1956 | 125 | 170 | 07.15-04.18 | ■ |
| 2.0 CDTI (67) (A 20 DTR) | | Diesel | FWD | 1956 | 143 | 194 | 04.13-06.15 | ■ |
| MOKKA / MOKKA X (J13) 06.12- | | | | SUV (Mini SUV-J Segment) | | | | |
| 1.4 (_76) (D 14 NEL) | | Gasolina | FWD | 1364 | 88 | 120 | 06.18-12.19 | ■ |
| 1.4 (_76) (A 14 NET) | | Gasolina | FWD | 1364 | 103 | 140 | 04.13-12.19 | ■ |
| 1.4 (_76) (B 14 NET) | | Gasolina | FWD | 1364 | 103 | 140 | 04.13-12.19 | ■ |
| 1.4 (_76) (D 14 NET) | | Gasolina | FWD | 1364 | 103 | 140 | 04.13-12.19 | ■ |
| 1.4 4x4 (_76) (A 14 NET) | | Gasolina | 4WD | 1364 | 103 | 140 | 06.12-12.19 | ■ |
| 1.4 4x4 (_76) (B 14 NET) | | Gasolina | 4WD | 1364 | 103 | 140 | 06.12-12.19 | ■ |
| 1.4 4x4 (_76) (D 14 NET) | | Gasolina | 4WD | 1364 | 103 | 140 | 06.12-12.19 | ■ |
| 1.4 4x4 (_76) (B 14 XFT) | | Gasolina | 4WD | 1399 | 112 | 152 | 06.16-12.19 | ■ |
| 1.6 (_76) (A 16 XER) | | Gasolina | FWD | 1598 | 85 | 116 | 06.12-12.19 | ■ |
| 1.6 (_76) (B 16 XER) | | Gasolina | FWD | 1598 | 85 | 116 | 06.12-12.19 | ■ |
| 1.6 (_76) (D 16 XER) | | Gasolina | FWD | 1598 | 85 | 116 | 06.12-12.19 | ■ |
| 1.8 (_76) (A 18 XER) | | Gasolina | FWD | 1796 | 103 | 140 | 01.13-12.19 | ■ |
| 1.8 4x4 (_76) (A 18 XER) | | Gasolina | 4WD | 1796 | 103 | 140 | 01.13-12.19 | ■ |
| 1.4 LPG (_76) (A 14 NET) | | Gasol./Gas (LPG) | FWD | 1364 | 103 | 140 | 04.13-12.19 | ■ |
| 1.4 LPG (_76) (B 14 NET) | | Gasol./Gas (LPG) | FWD | 1364 | 103 | 140 | 04.13-12.19 | ■ |
| 1.4 LPG (_76) (D 14 NET) | | Gasol./Gas (LPG) | FWD | 1364 | 103 | 140 | 04.13-12.19 | ■ |
| 1.6 CDTI (_76) (B 16 DTN) | | Diesel | FWD | 1598 | 81 | 110 | 06.15-12.19 | ■ |
| 1.6 CDTI (_76) (B 16 DTU) | | Diesel | FWD | 1598 | 81 | 110 | 06.15-12.19 | ■ |
| 1.6 CDTI 4x4 (_76) (D 16 DTN) | | Diesel | 4WD | 1598 | 81 | 110 | 03.18-12.19 | ■ |
| 1.6 CDTI (_76) (A 16 DTH) | | Diesel | FWD | 1598 | 100 | 136 | 01.15-12.19 | ■ |
| 1.6 CDTI (_76) (B 16 DTH) | | Diesel | FWD | 1598 | 100 | 136 | 01.15-12.19 | ■ |
| 1.6 CDTI (_76) (D 16 DTH) | | Diesel | FWD | 1598 | 100 | 136 | 01.15-12.19 | ■ |
| 1.6 CDTI 4x4 (_76) (B 16 DTH) | | Diesel | 4WD | 1598 | 100 | 136 | 01.15-12.19 | ■ |
| 1.6 CDTI 4x4 (_76) (D 16 DTH) | | Diesel | 4WD | 1598 | 100 | 136 | 01.15-12.19 | ■ |
| 1.7 CDTI (_76) (A 17 DTS) | | Diesel | FWD | 1686 | 96 | 131 | 06.12-12.19 | ■ |
| 1.7 CDTI 4x4 (_76) (A 17 DTS) | | Diesel | 4WD | 1686 | 96 | 131 | 06.12-12.19 | ■ |
| MOKKA / MOKKA X VAN (J13) 06.12- | | | | SUV Van (Mini SUV-J Segment) | | | | |
| 1.6 CDTi (76) | | Diesel | FWD | 1598 | 100 | 136 | 03.18- | ■ |
| ZAFIRA Tourer C (P12) 10.11- | | | | MPV (Compact MPV-M1 Segment) | | | | |
| 1.4 (75) (A 14 NEL) | Syst. POC J60, discØ 292, POC J60, Rim 16, discØ 315, POC J61, Rim 17 | Gasolina | FWD | 1364 | 88 | 120 | 10.11-05.18 | ■ |
| 1.4 (75) (B 14 NEL) | Syst. POC J60, discØ 292, POC J60, Rim 16, discØ 315, POC J61, Rim 17 | Gasolina | FWD | 1364 | 88 | 120 | 10.11-05.18 | ■ |
| 1.4 (75) (A 14 NET) | Syst. POC J60, discØ 292, POC J60, Rim 16, discØ 315, POC J61, Rim 17 | Gasolina | FWD | 1364 | 103 | 140 | 10.11-05.18 | ■ |

LISTA DE APLICACIONES - BUYERS GUIDE

| | | | | | | | | |
|--------------------------|---|-------------------|-----|------|-----|-----|-------------|---|
| 1.4 (75) (B 14 NET) | Syst. POC J60, discØ 292, POC J60, Rim 16, discØ 315, POC J61, Rim 17 | Gasolina | FWD | 1364 | 103 | 140 | 10.11-05.18 | ■ |
| 1.6 (75) (D 16 SHJ) | discØ 292, POC J60, Rim 16, discØ 315, POC J61, Rim 17 | Gasolina | FWD | 1598 | 100 | 136 | 09.18-07.19 | ■ |
| 1.6 (75) (A 16 XHT) | Syst. POC J60, discØ 292, POC J60, Rim 16, discØ 315, POC J61, Rim 17 | Gasolina | FWD | 1598 | 125 | 170 | 12.12-03.19 | ■ |
| 1.6 (75) (B 16 SHL) | Syst. POC J60, discØ 292, POC J60, Rim 16, discØ 315, POC J61, Rim 17 | Gasolina | FWD | 1598 | 125 | 170 | 12.12-03.19 | ■ |
| 1.6 (75) (D 16 SHL) | Syst. POC J60, discØ 292, POC J60, Rim 16, discØ 315, POC J61, Rim 17 | Gasolina | FWD | 1598 | 125 | 170 | 12.12-03.19 | ■ |
| 1.6 SIDI (75) (A 16 SHT) | discØ 292, POC J60, Rim 16, discØ 315, POC J61, Rim 17 | Gasolina | FWD | 1598 | 147 | 200 | 07.13-05.18 | ■ |
| 1.6 SIDI (75) (B 16 SHT) | discØ 292, POC J60, Rim 16, discØ 315, POC J61, Rim 17 | Gasolina | FWD | 1598 | 147 | 200 | 07.13-05.18 | ■ |
| 1.8 (75) (A 18 XEL) | Syst. POC J60, discØ 292, POC J60, Rim 16, Rim 17, POC J61 | Gasolina | FWD | 1796 | 85 | 115 | 10.11-06.15 | ■ |
| 1.8 | Syst. POC J60 | Gasolina | FWD | 1796 | 88 | 120 | 10.11- | ■ |
| 1.8 (75) (A 18 XER) | Syst. POC J60, discØ 292, POC J60, Rim 16, discØ 315, POC J61, Rim 17 | Gasolina | FWD | 1796 | 103 | 140 | 10.11-05.18 | ■ |
| 1.4 LPG (75) (A 14 NET) | Syst. POC J60, discØ 292, POC J60, Rim 16, discØ 315, POC J61, Rim 17 | Gasol./G as (LPG) | FWD | 1364 | 103 | 140 | 10.11-05.18 | ■ |
| 1.4 LPG (75) (B 14 NET) | Syst. POC J60, discØ 292, POC J60, Rim 16, discØ 315, POC J61, Rim 17 | Gasol./G as (LPG) | FWD | 1364 | 103 | 140 | 10.11-05.18 | ■ |
| 1.8 LPG (75) | Syst. POC J60 | Gasol./G as (LPG) | FWD | 1796 | 101 | 137 | 10.11- | ■ |
| 1.6 CNG (75) (A 16 XNT) | Syst. POC J60, discØ 292, POC J60, Rim 16, discØ 315, POC J61, Rim 17 | Gasol./G as (CNG) | FWD | 1598 | 110 | 150 | 10.11-05.18 | ■ |
| 1.6 CNG (75) (B 16 XNT) | Syst. POC J60, discØ 292, POC J60, Rim 16, discØ 315, POC J61, Rim 17 | Gasol./G as (CNG) | FWD | 1598 | 110 | 150 | 10.11-05.18 | ■ |
| 1.6 CDTi (75) (B 16 DTJ) | discØ 292, POC J60, Rim 16 discØ 315, POC J61, Rim 17 | Diesel | FWD | 1598 | 88 | 120 | 07.14-11.18 | ■ |
| 1.6 CDTi (75) (D 16 DTJ) | discØ 292, POC J60, Rim 16 discØ 315, POC J61, Rim 17 | Diesel | FWD | 1598 | 88 | 120 | 07.14-11.18 | ■ |
| 1.6 CDTi (75) (B 16 DTH) | discØ 292, POC J60, Rim 16, discØ 315, POC J61, Rim 17 | Diesel | FWD | 1598 | 99 | 134 | 07.13-03.19 | ■ |
| 1.6 CDTi (75) (D 16 DTH) | discØ 292, POC J60, Rim 16, discØ 315, POC J61, Rim 17 | Diesel | FWD | 1598 | 99 | 134 | 07.13-03.19 | ■ |
| 1.6 CDTi (75) (B 16 DTH) | Syst. POC J60, discØ 292, POC J60, Rim 16, discØ 315, POC J61, Rim 17 | Diesel | FWD | 1598 | 100 | 136 | 02.13-05.16 | ■ |
| 2.0 CDTi (75) (A 20 DTL) | Syst. POC J60, discØ 292, POC J60, Rim 16, discØ 315, POC J61, Rim 17 | Diesel | FWD | 1956 | 81 | 110 | 10.11-10.14 | ■ |
| 2.0 CDTi (75) (A 20 DT) | Syst. POC J60, discØ 292, POC J60, Rim 16, discØ 315, POC J61, Rim 17 | Diesel | FWD | 1956 | 96 | 130 | 10.11-11.18 | ■ |
| 2.0 CDTi (75) (B 20 DTJ) | Syst. POC J60, discØ 292, POC J60, Rim 16, discØ 315, POC J61, Rim 17 | Diesel | FWD | 1956 | 96 | 130 | 10.11-11.18 | ■ |
| 2.0 CDTi (75) (D 20 DTJ) | Syst. POC J60, discØ 292, POC J60, Rim 16, discØ 315, POC J61, Rim 17 | Diesel | FWD | 1956 | 96 | 130 | 10.11-11.18 | ■ |
| 2.0 CDTi (75) (Y 20 DTJ) | Syst. POC J60, discØ 292, POC J60, Rim 16, discØ 315, POC J61, Rim 17 | Diesel | FWD | 1956 | 96 | 130 | 10.11-11.18 | ■ |
| 2.0 CDTi (75) (Z 20 DTJ) | Syst. POC J60, discØ 292, POC J60, Rim 16, discØ 315, POC J61, Rim 17 | Diesel | FWD | 1956 | 96 | 130 | 10.11-11.18 | ■ |
| 2.0 CDTi (75) | Syst. POC J60 | Diesel | FWD | 1956 | 118 | 160 | 10.11- | ■ |
| 2.0 CDTi (75) (A 20 DTH) | Syst. POC J60, discØ 292, POC J60, Rim 16, discØ 315, POC J61, Rim 17 | Diesel | FWD | 1956 | 121 | 165 | 10.11-10.14 | ■ |
| 2.0 CDTi (75) (B 20 DTH) | discØ 292, POC J60, Rim 16, discØ 315, POC J61, Rim 17 | Diesel | FWD | 1956 | 125 | 170 | 11.14-03.19 | ■ |

LISTA DE APLICACIONES - BUYERS GUIDE

| | | | | | | | | | |
|---|---|------------------|-----|------|--|-----|-------------|---|--|
| 2.0 CDTi (75) (D 20 DTH) | discØ 292, POC J60, Rim 16, discØ 315, POC J61, Rim 17 | Diesel | FWD | 1956 | 125 | 170 | 11.14-03.19 | ■ | |
| 2.0 BiTurbo CDTi (75) (A 20 DTR) | ch. -C2, discØ 292, POC J60, Rim 16, discØ 315, POC J61, Rim 17 | Diesel | FWD | 1956 | 143 | 194 | 01.13-10.14 | ■ | |
| ZAFIRA TOURER C VAN (P12) 10.11- | | | | | Box Body/MPV (Compact MPV-M1 Segment) | | | | |
| 2.0 CDTi (75) | discØ 292, POC J60, Rim 16, discØ 315, POC J61, Rim 17 | Diesel | FWD | 1956 | 81 | 110 | 01.13-10.14 | ■ | |
| 2.0 CDTi (75) | discØ 292, POC J60, Rim 16, discØ 315, POC J61, Rim 17 | Diesel | FWD | 1956 | 96 | 131 | 01.12-10.14 | ■ | |
| 2.0 CDTi (75) | discØ 292, POC J60, Rim 16, discØ 315, POC J61, Rim 17 | Diesel | FWD | 1956 | 121 | 165 | 01.13-10.14 | ■ | |
| VAUXHALL | | | | | | | | | |
| AMPERA (R12) 03.12- | | | | | Hatchback (Compact car-C Segment) | | | | |
| EV 150 (D1JOI) (4ET50) | elec.brake detention | Gasol./el éc. | FWD | 1398 | 111 | 151 | 03.12- | ■ | |
| EV 150 (D1JOI) (A 14 XFL) | elec.brake detention | Gasol./el éc. | FWD | 1398 | 111 | 151 | 03.12- | ■ | |
| ASTRA Mk VI (J) (P10) 10.10- | | | | | Estate (Compact car-C Segment) | | | | |
| 1.4 Turbo (A 14 NET) | | Gasolina | FWD | 1364 | 103 | 140 | 10.10-10.15 | ■ | |
| 1.4 (A 14 XEL) | | Gasolina | FWD | 1398 | 64 | 87 | 10.10-10.15 | ■ | |
| 1.4 (A 14 XER) | | Gasolina | FWD | 1398 | 74 | 101 | 10.10-10.15 | ■ | |
| 1.4 (B 14 XER) | | Gasolina | FWD | 1398 | 74 | 101 | 10.10-10.15 | ■ | |
| 1.6 (A 16 XER) | | Gasolina | FWD | 1598 | 85 | 116 | 10.10-10.15 | ■ | |
| 1.6 (B 16 XER) | | Gasolina | FWD | 1598 | 85 | 116 | 10.10-10.15 | ■ | |
| 1.6 SIDI | discØ 292 | Gasolina | FWD | 1598 | 125 | 170 | 12.12-10.15 | ■ | |
| 1.6 Turbo (A 16 LET) | | Gasolina | FWD | 1598 | 132 | 180 | 10.10-10.15 | ■ | |
| 1.3 CDTi (A 13 DTE) | | Diesel | FWD | 1248 | 70 | 95 | 10.10-10.15 | ■ | |
| 1.6 CDTi (B 16 DTL) | | Diesel | FWD | 1598 | 81 | 110 | 01.14-10.15 | ■ | |
| 1.6 CDTi (B 16 DTH) | | Diesel | FWD | 1598 | 100 | 136 | 01.14-10.15 | ■ | |
| 1.7 CDTi | | Diesel | RWD | 1686 | 74 | 101 | 10.10- | ■ | |
| 1.7 CDTi (A 17 DTC) | | Diesel | FWD | 1686 | 81 | 110 | 10.10-10.15 | ■ | |
| 1.7 CDTi (A 17 DTE) | | Diesel | FWD | 1686 | 81 | 110 | 10.10-10.15 | ■ | |
| 1.7 CDTi (A 17 DTJ) | | Diesel | FWD | 1686 | 81 | 110 | 10.10-10.15 | ■ | |
| 1.7 CDTi (A 17 DTR) | | Diesel | FWD | 1686 | 92 | 125 | 10.10-10.15 | ■ | |
| 1.7 CDTi (A 17 DTF) | | Diesel | FWD | 1686 | 96 | 131 | 06.11-10.15 | ■ | |
| 1.7 CDTi (A 17 DTS) | | Diesel | FWD | 1686 | 96 | 131 | 06.11-10.15 | ■ | |
| 2.0 CDTi (A 20 DTH) | | Diesel | FWD | 1956 | 118 | 160 | 10.10-06.11 | ■ | |
| 2.0 CDTi (A 20 DTH) | | Diesel | FWD | 1956 | 121 | 165 | 08.11-10.15 | ■ | |
| 2.0 BiTurbo CDTi (A 20 DTR) | Syst. 15", 16" | Diesel | FWD | 1956 | 143 | 194 | 12.12-10.15 | ■ | |
| ASTRA Mk VI (J) (P10) 12.09- | | | | | Hatchback (Compact car-C Segment) | | | | |
| 1.4 Turbo (A 14 NEL) | | Gasolina | FWD | 1364 | 88 | 120 | 08.10-10.15 | ■ | |
| 1.4 Turbo (A 14 NET) | | Gasolina | FWD | 1364 | 103 | 140 | 12.09-10.15 | ■ | |
| 1.4 Turbo (B 14 NET) | | Gasolina | FWD | 1364 | 103 | 140 | 12.09-10.15 | ■ | |
| 1.4 Turbo (D 14 NET) | | Gasolina | FWD | 1364 | 103 | 140 | 12.09-10.15 | ■ | |
| 1.4 (A 14 XEL) | | Gasolina | FWD | 1398 | 64 | 87 | 12.09-10.15 | ■ | |
| 1.4 (A 14 XER) | | Gasolina | FWD | 1398 | 74 | 100 | 12.09-10.15 | ■ | |
| 1.4 (B 14 XER) | | Gasolina | FWD | 1398 | 74 | 100 | 12.09-10.15 | ■ | |
| 1.6 (A 16 XER) | | Gasolina | FWD | 1598 | 85 | 115 | 12.09-10.15 | ■ | |
| 1.6 (B 16 XER) | | Gasolina | FWD | 1598 | 85 | 115 | 12.09-10.15 | ■ | |
| 1.6 SIDI | discØ 292 | Gasolina | FWD | 1598 | 125 | 170 | 12.12-10.15 | ■ | |
| 1.6 Turbo (A 16 LET) | | Gasolina | FWD | 1598 | 132 | 180 | 12.09-10.15 | ■ | |
| 1.3 CDTi (A 13 DTE) | | Diesel | FWD | 1248 | 70 | 95 | 12.09-10.15 | ■ | |

LISTA DE APLICACIONES - BUYERS GUIDE

| | | | | | | | | |
|---|----------------|----------|-----|---|-----|-----|-------------|---|
| 1.6 CDTi (B 16 DTL) | | Diesel | FWD | 1598 | 81 | 110 | 11.13-10.15 | ■ |
| 1.6 CDTi (B 16 DTH) | Syst. 15", 16" | Diesel | FWD | 1598 | 100 | 136 | 11.13-10.15 | ■ |
| 1.7 CDTi | | Diesel | RWD | 1686 | 74 | 101 | 12.09- | ■ |
| 1.7 CDTi (A 17 DTL) | | Diesel | FWD | 1686 | 74 | 101 | 10.10-10.15 | ■ |
| 1.7 CDTi (A 17 DTC) | | Diesel | FWD | 1686 | 81 | 110 | 12.09-10.15 | ■ |
| 1.7 CDTi (A 17 DTE) | | Diesel | FWD | 1686 | 81 | 110 | 12.09-10.15 | ■ |
| 1.7 CDTi (A 17 DTJ) | | Diesel | FWD | 1686 | 81 | 110 | 12.09-10.15 | ■ |
| 1.7 CDTi (A 17 DTR) | | Diesel | FWD | 1686 | 92 | 125 | 12.09-10.15 | ■ |
| 1.7 CDTi (A 17 DTF) | | Diesel | FWD | 1686 | 96 | 131 | 06.11-10.15 | ■ |
| 1.7 CDTi (A 17 DTS) | | Diesel | FWD | 1686 | 96 | 131 | 06.11-10.15 | ■ |
| 2.0 CDTi (A 20 DTH) | | Diesel | FWD | 1956 | 118 | 160 | 12.09-06.11 | ■ |
| 2.0 CDTi (A 20 DTH) | | Diesel | FWD | 1956 | 121 | 165 | 08.11-10.15 | ■ |
| 2.0 BiTurbo CDTi (A 20 DTR) | Syst. 15", 16" | Diesel | FWD | 1956 | 143 | 194 | 12.12-10.15 | ■ |
| ASTRA Mk VI (J) (P10) 06.12- | | | | Saloon (Compact car-C Segment) | | | | |
| 1.4 Turbo (A 14 NET) | | Gasolina | FWD | 1364 | 103 | 140 | 06.12-10.15 | ■ |
| 1.4 (A 14 XER) | | Gasolina | FWD | 1398 | 74 | 101 | 06.12-10.15 | ■ |
| 1.6 (A 16 XER) | | Gasolina | FWD | 1598 | 85 | 116 | 06.12-10.15 | ■ |
| 1.6 SIDI | | Gasolina | FWD | 1598 | 125 | 170 | 12.12- | ■ |
| 1.6 SIDI | discØ 292 | Gasolina | FWD | 1598 | 125 | 170 | 06.12-10.15 | ■ |
| 1.6 Turbo (A 16 LET) | | Gasolina | FWD | 1598 | 132 | 180 | 06.12-10.15 | ■ |
| 1.3 CDTi (A 13 DTE) | | Diesel | FWD | 1248 | 70 | 95 | 06.12-10.15 | ■ |
| 1.7 CDTi (A 17 DTC) | | Diesel | FWD | 1686 | 81 | 110 | 06.12-10.15 | ■ |
| 1.7 CDTi (A 17 DTE) | | Diesel | FWD | 1686 | 81 | 110 | 06.12-10.15 | ■ |
| 1.7 CDTi (A 17 DTJ) | | Diesel | FWD | 1686 | 81 | 110 | 06.12-10.15 | ■ |
| 1.7 CDTi (A 17 DTF) | | Diesel | FWD | 1686 | 96 | 131 | 06.12-10.15 | ■ |
| 1.7 CDTi (A 17 DTS) | | Diesel | FWD | 1686 | 96 | 131 | 06.12-10.15 | ■ |
| 2.0 BiTurbo CDTi | | Diesel | FWD | 1956 | 143 | 194 | 12.12- | ■ |
| ASTRA Mk VI (J) GTC (P10) 10.11- | | | | Hatchback (Compact car-C Segment) | | | | |
| 1.4 (A 14 NEL) | | Gasolina | FWD | 1364 | 88 | 120 | 10.11-10.18 | ■ |
| 1.4 (B 14 NEL) | | Gasolina | FWD | 1364 | 88 | 120 | 10.11-10.18 | ■ |
| 1.4 (A 14 NET) | | Gasolina | FWD | 1364 | 103 | 140 | 10.11-04.18 | ■ |
| 1.4 (B 14 NET) | | Gasolina | FWD | 1364 | 103 | 140 | 10.11-04.18 | ■ |
| 1.4 (A 14 XER) | | Gasolina | FWD | 1398 | 74 | 101 | 10.11-10.18 | ■ |
| 1.6 SIDI | discØ 292 | Gasolina | FWD | 1598 | 125 | 170 | 09.13-10.18 | ■ |
| 1.6 (A 16 LET) | | Gasolina | FWD | 1598 | 132 | 180 | 10.11-10.18 | ■ |
| 1.6 SIDI (A 16 SHT) | Syst. 15", 16" | Gasolina | FWD | 1598 | 147 | 200 | 09.13-10.18 | ■ |
| 1.6 SIDI (B 16 SHT) | Syst. 15", 16" | Gasolina | FWD | 1598 | 147 | 200 | 09.13-10.18 | ■ |
| 2.0 VXR (A 20 NFT) | Syst. 15", 16" | Gasolina | FWD | 1998 | 206 | 280 | 04.12-10.18 | ■ |
| 2.0 VXR (B 20 NFT) | Syst. 15", 16" | Gasolina | FWD | 1998 | 206 | 280 | 04.12-10.18 | ■ |
| 1.6 CDTi (B 16 DTL) | | Diesel | FWD | 1598 | 81 | 110 | 07.14-10.18 | ■ |
| 1.6 CDTi (B 16 DTH) | | Diesel | FWD | 1598 | 100 | 136 | 07.14-10.18 | ■ |
| 1.7 CDTi (A 17 DTC) | | Diesel | FWD | 1686 | 81 | 110 | 10.11-10.18 | ■ |
| 1.7 CDTi (A 17 DTE) | | Diesel | FWD | 1686 | 81 | 110 | 10.11-10.18 | ■ |
| 1.7 CDTi (A 17 DTJ) | | Diesel | FWD | 1686 | 81 | 110 | 10.11-10.18 | ■ |
| 1.7 CDTi (A 17 DTF) | | Diesel | FWD | 1686 | 96 | 131 | 10.11-10.18 | ■ |
| 1.7 CDTi (A 17 DTS) | | Diesel | FWD | 1686 | 96 | 131 | 10.11-10.18 | ■ |
| 2.0 CDTi (A 20 DTH) | | Diesel | FWD | 1956 | 121 | 165 | 10.11-10.18 | ■ |
| 2.0 BiTurbo CDTi (A 20 DTR) | Syst. 15", 16" | Diesel | FWD | 1956 | 143 | 194 | 12.12-10.18 | ■ |
| CASCADA (W13) 02.13- | | | | Convertible (Large family car-D Segment) | | | | |
| 1.4 | | Gasolina | FWD | 1364 | 88 | 120 | 02.13- | ■ |

LISTA DE APLICACIONES - BUYERS GUIDE

| | | | | | | | | | |
|-------------------------------------|---------------------------------------|------------------|-----|------|-------------------------------------|-----|-------------|---|--|
| 1.4 (A 14 NET) | | Gasolina | FWD | 1364 | 103 | 140 | 02.13- | ■ | |
| 1.4 (B 14 NET) | | Gasolina | FWD | 1364 | 103 | 140 | 02.13- | ■ | |
| 1.6 | | Gasolina | FWD | 1598 | 100 | 136 | 05.18-04.19 | ■ | |
| 1.6 (A 16 XHT) | | Gasolina | FWD | 1598 | 125 | 170 | 02.13- | ■ | |
| 1.6 (B 16 SHL) | | Gasolina | FWD | 1598 | 125 | 170 | 02.13- | ■ | |
| 1.6 (A 16 SHT) | | Gasolina | FWD | 1598 | 147 | 200 | 11.13- | ■ | |
| 1.6 (B 16 SHT) | | Gasolina | FWD | 1598 | 147 | 200 | 11.13- | ■ | |
| 2.0 CDTi (A 20 DTH) | | Diesel | FWD | 1956 | 121 | 165 | 02.13- | ■ | |
| 2.0 CDTi (B 20 DTH) | | Diesel | FWD | 1956 | 125 | 170 | 07.15- | ■ | |
| 2.0 CDTi (A 20 DTR) | | Diesel | FWD | 1956 | 143 | 194 | 02.13- | ■ | |
| MOKKA / MOKKA X (J13) 06.12- | | | | | SUV (Mini SUV-J Segment) | | | | |
| 1.4 (A 14 NET) | | Gasolina | FWD | 1364 | 103 | 140 | 04.13-12.19 | ■ | |
| 1.4 (B 14 NET) | | Gasolina | FWD | 1364 | 103 | 140 | 04.13-12.19 | ■ | |
| 1.4 (D 14 NET) | | Gasolina | FWD | 1364 | 103 | 140 | 04.13-12.19 | ■ | |
| 1.4 4x4 (A 14 NET) | | Gasolina | 4WD | 1364 | 103 | 140 | 06.12-12.19 | ■ | |
| 1.4 4x4 (B 14 NET) | | Gasolina | 4WD | 1364 | 103 | 140 | 06.12-12.19 | ■ | |
| 1.4 4x4 (D 14 NET) | | Gasolina | 4WD | 1364 | 103 | 140 | 06.12-12.19 | ■ | |
| 1.4 4x4 (B 14 XFT) | | Gasolina | 4WD | 1399 | 112 | 152 | 06.16-12.19 | ■ | |
| 1.6 (A 16 XER) | | Gasolina | FWD | 1598 | 85 | 116 | 06.12-12.19 | ■ | |
| 1.6 (B 16 XER) | | Gasolina | FWD | 1598 | 85 | 116 | 06.12-12.19 | ■ | |
| 1.6 (D 16 XER) | | Gasolina | FWD | 1598 | 85 | 116 | 06.12-12.19 | ■ | |
| 1.6 CDTi (B 16 DTN) | | Diesel | FWD | 1598 | 81 | 110 | 06.15-12.19 | ■ | |
| 1.6 CDTi (B 16 DTU) | | Diesel | FWD | 1598 | 81 | 110 | 06.15-12.19 | ■ | |
| 1.6 CDTi (A 16 DTH) | | Diesel | FWD | 1598 | 100 | 136 | 01.15-12.19 | ■ | |
| 1.6 CDTi (B 16 DTH) | | Diesel | FWD | 1598 | 100 | 136 | 01.15-12.19 | ■ | |
| 1.6 CDTi (D 16 DTH) | | Diesel | FWD | 1598 | 100 | 136 | 01.15-12.19 | ■ | |
| 1.6 CDTi 4x4 (A 16 DTH) | | Diesel | 4WD | 1598 | 100 | 136 | 01.15-12.19 | ■ | |
| 1.6 CDTi 4x4 (B 16 DTH) | | Diesel | 4WD | 1598 | 100 | 136 | 01.15-12.19 | ■ | |
| 1.6 CDTi 4x4 (D 16 DTH) | | Diesel | 4WD | 1598 | 100 | 136 | 01.15-12.19 | ■ | |
| 1.7 CDTi (A 17 DTS) | | Diesel | FWD | 1686 | 96 | 131 | 06.12-12.19 | ■ | |
| 1.7 CDTi 4x4 (A 17 DTS) | | Diesel | 4WD | 1686 | 96 | 131 | 06.12-12.19 | ■ | |
| ZAFIRA Mk III (P12) 10.11- | | | | | MPV (Compact MPV-M1 Segment) | | | | |
| 1.4 (75) (A 14 NEL) | discØ 315, POC J61, Rim 17, Syst. 16" | Gasolina | FWD | 1364 | 88 | 120 | 10.11-06.14 | ■ | |
| 1.4 (75) (A 14 NET) | discØ 315, POC J61, Rim 17, Syst. 16" | Gasolina | FWD | 1364 | 103 | 140 | 10.11-05.18 | ■ | |
| 1.4 (75) (B 14 NET) | discØ 315, POC J61, Rim 17, Syst. 16" | Gasolina | FWD | 1364 | 103 | 140 | 10.11-05.18 | ■ | |
| 1.6 SIDI | | Gasolina | FWD | 1598 | 125 | 170 | 12.12-03.19 | ■ | |
| 1.6 SIDI (75) (A 16 SHT) | discØ 315, POC J61, Rim 17, Syst. 16" | Gasolina | FWD | 1598 | 147 | 200 | 07.13-05.18 | ■ | |
| 1.8 (75) (A 18 XEL) | discØ 315, POC J61, Rim 17, Syst. 16" | Gasolina | FWD | 1796 | 85 | 116 | 10.11-06.15 | ■ | |
| 1.8 | | Gasolina | FWD | 1796 | 88 | 120 | 10.11- | ■ | |
| 1.8 (75) (A 18 XER) | discØ 315, POC J61, Rim 17, Syst. 16" | Gasolina | FWD | 1796 | 103 | 140 | 10.11-05.18 | ■ | |
| 1.4 LPG | | Gasol./Gas (LPG) | FWD | 1364 | 103 | 140 | 10.11-08.18 | ■ | |
| 1.6 CNG (75) (A 16 XNT) | discØ 315, POC J61, Rim 17, Syst. 16" | Gasol./Gas (CNG) | FWD | 1598 | 110 | 150 | 10.11-04.16 | ■ | |
| 1.6 CDTi (75) (B 16 DTH) | discØ 315, POC J61, Rim 17, Syst. 16" | Diesel | FWD | 1598 | 99 | 135 | 07.13-05.16 | ■ | |
| 1.6 CDTi (75) (B 16 DTH) | discØ 315, POC J61, Rim 17, Syst. 16" | Diesel | FWD | 1598 | 100 | 136 | 02.13-05.16 | ■ | |
| 2.0 CDTi (75) (A 20 DTL) | discØ 315, POC J61, Rim 17, Syst. 16" | Diesel | FWD | 1956 | 81 | 110 | 09.11-10.14 | ■ | |

LISTA DE APLICACIONES - BUYERS GUIDE

| | | | | | | | | |
|----------------------------------|--|--------|-----|------|-----|-----|-------------|---|
| 2.0 CDTi (75) (A 20 DT) | discØ 315, POC J61, Rim 17, Syst. 16" | Diesel | FWD | 1956 | 96 | 130 | 10.11-10.14 | ■ |
| 2.0 CDTi (75) (Y 20 DTJ) | discØ 315, POC J61, Rim 17, Syst. 16" | Diesel | FWD | 1956 | 96 | 130 | 10.11-10.14 | ■ |
| 2.0 CDTi (75) (Z 20 DTJ) | discØ 315, POC J61, Rim 17, Syst. 16" | Diesel | FWD | 1956 | 96 | 130 | 10.11-10.14 | ■ |
| 2.0 CDTi | | Diesel | RWD | 1956 | 118 | 160 | 10.11- | ■ |
| 2.0 CDTi (75) (A 20 DTH) | discØ 315, POC J61, Rim 17, Syst. 16" | Diesel | FWD | 1956 | 121 | 165 | 10.11-10.14 | ■ |
| 2.0 CDTi (75) (B 20 DTH) | discØ 315, POC J61, Syst. 16", Rim 17 | Diesel | FWD | 1956 | 125 | 170 | 11.14-05.18 | ■ |
| 2.0 BiTurbo CDTi (75) (A 20 DTR) | discØ 315, POC J61, Rim 17, Syst. 16" | Diesel | FWD | 1956 | 143 | 194 | 11.12-08.18 | ■ |