

LISTA DE APLICACIONES - BUYERS GUIDE

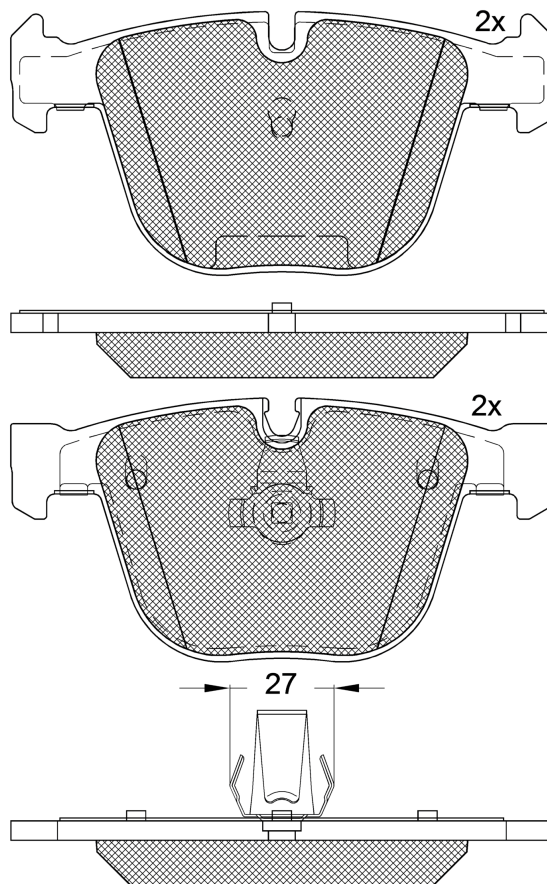
181949



8 424073 099136

Qty: 944

Weight: 1.590



181949

E 9 90R-01110/2664



Ate - Teves

139.65x67.9x17.3

WVA

23731

24458

24495

FMSI

D919-7820

MAKE

BMW



Trac.	CC	Kw	CV
-------	----	----	----



Front / Rear

BMW

						Hatchback (Grand Tourer-S Segment)			
5 Serie VI GRAN TURISMO (F07) 01.09-									
550i (N63 B44 A)	01/10-	Gasolina	RWD	4395	300	408	08.09-06.12	■	
7 Serie V (F01, F02, F03, F04) 02.08-12.15						Saloon (Luxury car-F Segment)			
4.4 750i Hybrid 4WD	01/09-	Gasol./el éc.	4WD	4395	300	408	02.08-	■	
ActiveHybrid 7 (N63 B44 A)		Gasol./el éc.	RWD	4395	342	465	04.10-06.12	■	
X5 II (E70) 02.06-07.13						SUV (Luxury Crossover SUV-J Segment)			
M (S63 B44 A)		Gasolina	4WD	4395	408	555	07.09-07.13	■	
X5 III (F15, F85) 08.13-07.18						SUV (Luxury Crossover SUV-J Segment)			
xDrive28i (N20 B20 A)		Gasolina	4WD	1997	180	245	06.15-07.18	■	
xDrive 35 i (N55 B30 A)		Gasolina	4WD	2979	225	306	12.13-07.18	■	
xDrive 35 i (N55 B30 A)		Gasolina	4WD	2979	240	326	12.13-07.18	■	
xDrive 50 i		Gasolina	FWD	3982	300	408	02.14-	■	
xDrive 50 i (N63 B44 B)		Gasolina	4WD	4395	330	449	08.13-07.18	■	
M (S63 B44 B)		Gasolina	4WD	4395	423	575	12.14-07.18	■	
sDrive 25 d (N47 D20 D)		Diesel	RWD	1995	155	211	12.13-07.18	■	
xDrive 25 d (N47 D20 D)		Diesel	4WD	1995	155	211	12.13-07.18	■	
sDrive 25 d (N47 D20 D)		Diesel	RWD	1995	160	218	12.13-07.15	■	
xDrive 25 d (N47 D20 D)		Diesel	4WD	1995	160	218	12.13-07.15	■	
sDrive 25 d (B47 D20 B)		Diesel	RWD	1995	170	231	08.15-07.18	■	
xDrive 25 d (B47 D20 B)		Diesel	4WD	1995	170	231	08.15-07.18	■	
xDrive 25 d (N57 D30 A)		Diesel	4WD	2993	160	218	04.14-07.18	■	

LISTA DE APLICACIONES - BUYERS GUIDE

xDrive 30 d (N57 D30 A)		Diesel	4WD	2993	183	249	12.13-07.18	■	
xDrive 30 d (N57 D30 A)		Diesel	4WD	2993	190	258	08.13-07.18	■	
xDrive 30 d (N57 D30 A)		Diesel	4WD	2993	204	277	08.13-07.18	■	
xDrive 30 d (N57 D30 A)		Diesel	4WD	2993	210	286	08.13-07.18	■	
xDrive 40 d (N57 D30 B)		Diesel	4WD	2993	230	313	12.13-07.18	■	
M 50 d (N57 D30 C)		Diesel	4WD	2993	280	381	12.13-07.18	■	
X6 (E71, E72) 06.07-12.15							SUV (Luxury Crossover SUV-J Segment)		
35 i		Gasolina	FWD	2979	225	306	05.08-08.08	■	
xDrive 35 i (N54 B30 A)	-10/09	Gasolina	4WD	2979	225	306	01.08-07.14	■	
xDrive 35 i (N55 B30 A)	-10/09	Gasolina	4WD	2979	225	306	01.08-07.14	■	
xDrive 35 i (N55 B30 A)		Gasolina	4WD	2979	235	320	08.12-06.14	■	
50 i	-12/09	Gasolina	FWD	4395	300	408	05.08-06.14	■	
xDrive 50 i (N63 B44 A)	-12/09	Gasolina	4WD	4395	300	408	07.08-07.14	■	
xDrive 50 i (N63 B44 A)		Gasolina	4WD	4395	330	449	10.07-06.14	■	
M (S63 B44 A)		Gasolina	4WD	4395	408	555	07.09-07.14	■	
5.0 V8 19"	01/08-	Gasolina	FWD	4995	257	350	05.08-	■	
ActiveHybrid (N63 B44 A)		Gasol./el éc.	4WD	4395	357	485	01.09-10.11	■	
30d		Diesel	RWD	2993	173	235	05.08-08.08	■	
xDrive 30 d (M57 D30 (306D3))	-10/09	Diesel	4WD	2993	173	235	04.08-03.10	■	
xDrive 30 d (N57 D30 A)		Diesel	4WD	2993	180	245	04.10-07.14	■	
35 d		Diesel	RWD	2993	210	286	05.08-08.08	■	
xDrive 35 d (M57 D30 (306D5))	-10/09	Diesel	4WD	2993	210	286	01.08-03.10	■	
xDrive 40 d (N57 D30 B)		Diesel	4WD	2993	225	306	07.09-06.14	■	
X6 II (F16, F86) 08.14-							SUV (Luxury Crossover SUV-J Segment)		
xDrive 35 i (N55 B30 A)		Gasolina	4WD	2979	225	306	08.14-07.19	■	
xDrive 35 i (N55 B30 A)		Gasolina	4WD	2979	240	326	08.14-07.19	■	
xDrive 50 i (N63 B44 B)	01/16-	Gasolina	4WD	4395	330	449	08.14-07.19	■	
M (S63 B44 B)		Gasolina	4WD	4395	423	575	12.14-07.19	■	
xDrive 30 d (N57 D30 A)		Diesel	4WD	2993	155	211	08.14-07.19	■	
xDrive 30 d (N57 D30 A)		Diesel	4WD	2993	183	249	12.14-07.19	■	
xDrive 30 d (N57 D30 A)		Diesel	4WD	2993	190	258	08.14-07.19	■	
xDrive 30 d (N57 D30 A)		Diesel	4WD	2993	204	277	08.14-07.19	■	
xDrive 40 d (N57 D30 B)		Diesel	4WD	2993	230	313	12.14-07.19	■	
M 50 d (N57 D30 C)	01/16-	Diesel	4WD	2993	280	381	08.14-07.19	■	