

LISTA DE APLICACIONES - BUYERS GUIDE

181952

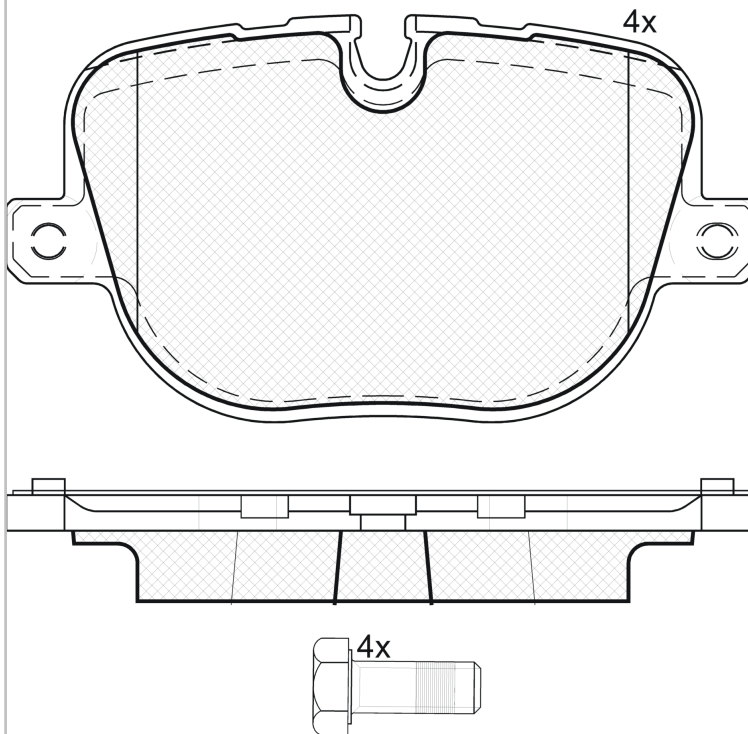


8 424073 099266

Qty: 300

Weight: 1.535

O.E.M.	MAKE
LR-015577	LAND ROVER
LR-025739	LAND ROVER



1-Ref. 690042

181952

E 9 90R-01111/2729



Trw

116.7x63.02x17.1

WVA	FMSI
25085	D1427-8544
MAKE	
LAND ROVER	



Trac.	CC	Kw	CV		
					Front / Rear

LAND ROVER

RANGE ROVER III (L322) 03.02-12.12						Closed Off-Road Vehicle (Luxury Crossover SUV-J Segment)		
5.0 4x4 (508PS)		Gasolina	4WD	4999	375	510	09.09-08.12	■
4.4 D 4x4 (448DT)		Diesel	4WD	4367	230	313	07.10-08.12	■
RANGE ROVER IV (L405) 08.12-						SUV (Luxury Crossover SUV-J Segment)		
3.0 SCV6 4x4 (306PS)		Gasolina	4WD	2995	250	340	10.13-09.21	■
3.0 SCV6 4x4 (306PS)		Gasolina	4WD	2995	280	380	06.15-09.21	■
5.0 V8 4x4 (508PN)		Gasolina	4WD	5000	276	375	12.13-01.16	■
5.0 SCV8 4x4 (508PS)		Gasolina	4WD	5000	375	510	08.12-09.21	■
5.0 SCV8 4x4 (508PS)		Gasolina	4WD	5000	405	550	06.15-09.21	■
3.0 SDV6 Hybrid 4x4 (306DT)		Diesel/el éc.	4WD	2993	215	292	06.15-	■
3.0 SDV6 Hybrid 4x4 (306DT)		Diesel/el éc.	4WD	2993	250	340	10.13-09.21	■
3.0 SDV6 Hybrid 4x4 (306DT)		Diesel/el éc.	4WD	2993	260	354	06.15-09.21	■
3.0 TDV6 4x4 (306DT)		Diesel	4WD	2993	155	211	10.13-01.16	■
3.0 SDV6 4x4 (306DT)		Diesel	4WD	2993	183	249	08.12-01.16	■
3.0 TDV6 4x4 (306DT)		Diesel	4WD	2993	190	258	08.12-09.21	■
4.4 SDV8 4x4 (448DT)		Diesel	4WD	4367	250	340	08.12-09.21	■
RANGE ROVER SPORT (L320) 02.05-03.13						SUV (Luxury Crossover SUV-J Segment)		
4.2		Gasolina	FWD	4197	291	396	02.05-	■
5.0 4x4 (508PN)		Gasolina	4WD	4999	276	375	07.09-03.13	■
5.0 4x4 (508PS)		Gasolina	4WD	4999	372	506	04.09-03.13	■
5.0 4x4 (508PS)		Gasolina	4WD	4999	375	510	09.09-03.13	■

LISTA DE APLICACIONES - BUYERS GUIDE

RANGE ROVER SPORT II (L494) 04.13-					SUV (Luxury Crossover SUV-J Segment)			
3.0 SCV6 4x4 (306PS)		Gasolina	4WD	2995	250	340	04.13-12.19	■
3.0		Gasolina	FWD	2995	254	345	01.14-	■
3.0 SCV6 4x4 (306PS)		Gasolina	4WD	2995	280	380	06.15-12.18	■
5.0 SCV8 4x4 (508PS)		Gasolina	4WD	4999	375	510	04.13-12.18	■
5.0 SCV8 4x4 (508PS)		Gasolina	4WD	4999	405	550	01.14-12.18	■
3.0 SDV6 Hybrid 4x4 (306DT)		Diesel/el éc.	4WD	2993	215	292	12.14-12.17	■
3.0 SDV6 Hybrid 4x4 (306DT)		Diesel/el éc.	4WD	2993	250	340	10.13-03.22	■
3.0 SDV6 Hybrid 4x4 (306DT)		Diesel/el éc.	4WD	2993	260	354	06.15-12.17	■
3.0 TDV6 4x4 (306DT)		Diesel	4WD	2993	155	211	04.13-12.18	■
3.0 SDV6 4x4 (306DT)		Diesel	4WD	2993	183	249	04.13-03.22	■
3.0 TDV6 4x4 (306DT)		Diesel	4WD	2993	190	258	04.13-03.22	■
3.0 SDV6 4x4 (306DT)		Diesel	4WD	2993	215	292	04.13-12.16	■
3.0 SDV6 4x4 (306DT)		Diesel	4WD	2993	225	306	09.14-03.22	■
4.4 SDV8 4x4 (448DT)		Diesel	4WD	4367	250	340	10.13-03.22	■