

LISTA DE APLICACIONES - BUYERS GUIDE

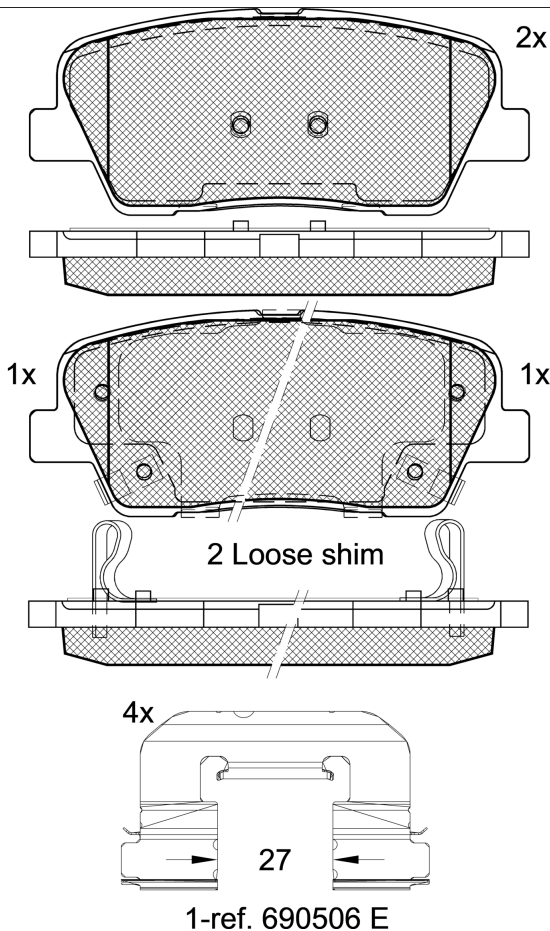
181954-066



Qty: 300

Weight: 1.235

O.E.M.	MAKE
58302-G9A20	KIA
58302-J5A00	KIA
58302-J5A05	KIA
58302-J5A25	KIA
58302-J5A51	KIA



1-ref. 690506 E

181954-066

E 9 90R-02A0111/3896



Mando

116.75x48.25x16.2

WVA	FMSI
25153	D1816-8524
25154	
25155	
25520	
25521	

MAKE

GENESIS
KIA



Trac.	CC	Kw	CV
-------	----	----	----



Front / Rear

GENESIS

G70 (IK) 09.17-

Saloon (Sports car-S Segment)

Engine	Rim	Fuel	Drivetrain	Year	CC	Kw	CV	Period	Applicable
2.0 T-GDI	Rim 18	Gasolina	RWD	1998	145	197	06.21-		■
2.0 T-GDi HTRAC	Rim 18	Gasolina	4WD	1998	145	197	06.21-		■
2.0 T-GDI	Rim 18	Gasolina	RWD	1998	180	245	06.21-		■
2.0 T-GDi HTRAC	Rim 18	Gasolina	4WD	1998	180	245	06.21-		■
2.0 T-GDI (G4KL)	Rim 18	Gasolina	RWD	1998	185	252	09.17-01.20		■
2.0 T-GDi HTRAC (G4KL)	Rim 18	Gasolina	4WD	1998	185	252	09.17-01.20		■
3.3 T-GDi		Gasolina	RWD	3342	272	370	09.17-01.20		■
3.3 T-GDi HTRAC (G6DP)		Gasolina	4WD	3342	272	370	09.17-01.20		■
2.2 CRDi	Rim 18	Diesel	RWD	2199	147	200	06.21-		■
2.2 CRDi HTRAC	Rim 18	Diesel	4WD	2199	147	200	06.21-		■

G70 Shooting Brake (IK) 06.21-

Estate (Sports car-S Segment)

2.0 T-GDI	Rim 18	Gasolina	RWD	1998	145	197	06.21-		■
2.0 T-GDi HTRAC	Rim 18	Gasolina	4WD	1998	145	197	06.21-		■
2.0 T-GDI	Rim 18	Gasolina	RWD	1998	180	245	06.21-		■
2.0 T-GDi HTRAC	Rim 18	Gasolina	4WD	1998	180	245	06.21-		■
2.2 CRDi	Rim 18	Diesel	RWD	2199	147	200	06.21-		■
2.2 CRDi HTRAC	Rim 18	Diesel	4WD	2199	147	200	06.21-		■

KIA

STINGER (CK) 06.17-

Hatchback (Executive car-E Segment)

2.0 T-GDI (G4KL)		Gasolina	RWD	1998	145	197	07.18-12.23		■
2.0 T-GDi 4WD (G4KL)		Gasolina	4WD	1998	145	197	07.18-12.23		■
2.0 T-GDI (G4KL)		Gasolina	RWD	1998	180	245	07.18-12.23		■

LISTA DE APLICACIONES - BUYERS GUIDE

2.0 T-GDI (G4KL)	Gasolina	RWD	1998	182	247	06.17-12.23	■
2.0 T-GDi 4WD (G4KL)	Gasolina	4WD	1998	182	247	06.17-12.23	■
2.0 T-GDI (G4KL)	Gasolina	RWD	1998	188	256	06.17-12.23	■
2.0 T-GDi 4WD (G4KL)	Gasolina	4WD	1998	188	256	06.17-12.23	■
2.2 CRDi VGT (D4HC)	Diesel	RWD	2199	147	200	06.17-12.23	■
2.2 CRDi VGT 4WD (D4HC)	Diesel	4WD	2199	147	200	06.17-12.23	■
STINGER Van (CK) 06.17-						Hatchback Van (Executive car-E Segment)	
2.0 T-GDI (G4KL)	Gasolina	RWD	1998	180	245	07.18-12.23	■
2.2 CRDi VGT (D4HC)	Diesel	RWD	2199	147	200	07.18-12.23	■
2.2 CRDi VGT 4WD (D4HC)	Diesel	4WD	2199	147	200	06.17-12.23	■