

LISTA DE APLICACIONES - BUYERS GUIDE

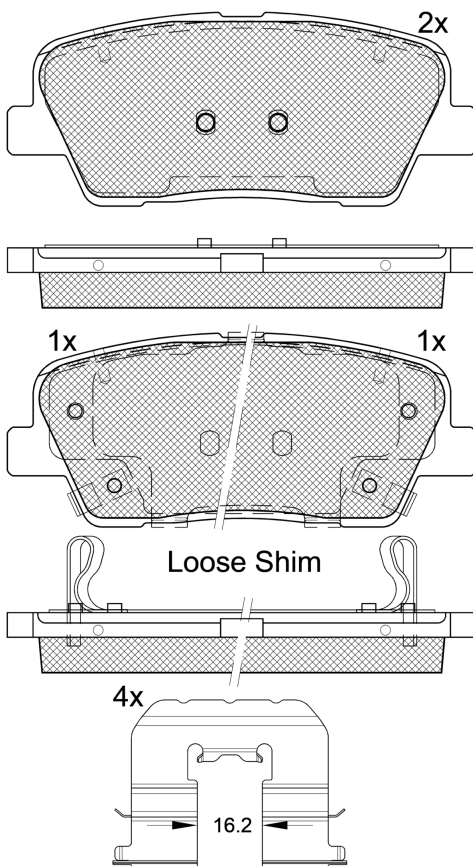
181954-233



Qty: 300

Weight: 1.235

O.E.M.	MAKE
58302-2JA10	KIA
58302-2WA30	HYUNDAI
58302-2WA90	HYUNDAI
58302-4ZA70	HYUNDAI
58302-C6A00	KIA



1-Ref. 690527 E

181954-233

E 9 90R-02A0111/5222



Mando

116.8x48.2x16.2

WVA	FMSI
22195	D1816-9051
22196	D1916-8575
22197	

MAKE
HYUNDAI
HYUNDAI (BEIJING)
KIA



Trac.	CC	Kw	CV
-------	----	----	----



Front / Rear

HYUNDAI

GRAND SANTA FÉ 01.13-

SUV (Executive SUV-J Segment)

3.0 GDi A las 4 ruedas	Gasolina	4WD	2999	183	249	07.13-11.18	■
2.2 CRDi A las 4 ruedas (D4HB)	Diesel	4WD	2199	147	200	09.13-11.18	■

SANTA FE III (DM, DMA) 09.12-

SUV (Executive SUV-J Segment)

2.0 GDI (G4KH)	Gasolina	FWD	1998	177	241	06.15-12.18	■
2.4 CCVT (G4KE)	Gasolina	FWD	2359	126	171	06.15-12.18	■
2.4 CCVT AWD (G4KE)	Gasolina	4WD	2359	126	171	06.15-10.18	■
2.4 CCVT (G4KE)	Gasolina	FWD	2359	129	175	09.12-12.18	■
2.4 CCVT AWD (G4KE)	Gasolina	4WD	2359	129	175	09.12-12.18	■
2.4 GDI (G4KJ)	Gasolina	FWD	2359	138	188	05.15-08.18	■
2.4 GDI 4WD (G4KJ)	Gasolina	4WD	2359	138	188	05.15-08.18	■
3.0 GDi	Gasolina	FWD	2999	194	264	01.13-12.18	■
3.0 GDi 4WD	Gasolina	4WD	2999	194	264	01.13-12.18	■
3.4 AWD	Gasolina	4WD	3342	183	249	01.14-	■
3.3	Gasolina	FWD	3342	199	270	03.14-12.19	■
3.3 4WD (G6DF)	Gasolina	4WD	3342	199	270	03.14-12.19	■
3.3 GDI	Gasolina	FWD	3342	213	290	06.15-	■
3.3	Gasolina	FWD	3342	218	296	09.12-	■
3.3	Gasolina	FWD	3342	218	296	09.12-	■
2.0 CRDi (D4HA)	Diesel	FWD	1995	110	150	09.12-08.18	■
2.0 CRDi 4WD (D4HA)	Diesel	4WD	1995	110	150	09.12-08.18	■
2.0 CRDi (D4HA)	Diesel	FWD	1995	136	185	05.15-08.18	■
2.0 CRDi 4WD (D4HA)	Diesel	4WD	1995	136	185	09.12-08.18	■
2.2 CRDi (D4HB)	Diesel	FWD	2199	147	200	10.15-08.18	■

LISTA DE APLICACIONES - BUYERS GUIDE

2.2 CRDi 4WD (D4HB)	01/17-	Diesel	4WD	2199	147	200	10.15-08.18	■	
2.2 CRDi 4WD	01/17-	Diesel	4WD	2199	149	202	06.15-12.18	■	
SANTA FE IV (TM) 02.18-							SUV Van (Executive SUV-J Segment)		
2.2 CRDi (D4HB)		Diesel	FWD	2199	147	200	07.18-11.20	■	
2.2 CRDi AWD (D4HB)		Diesel	4WD	2199	147	200	07.18-11.20	■	
SANTA FE IV (TM, TMA) 02.18-							SUV (Executive SUV-J Segment)		
2.4 (G4KE)		Gasolina	FWD	2359	127	173	07.18-	■	
2.4 AWD (G4KE)		Gasolina	4WD	2359	127	173	07.18-07.20	■	
2.4 GDI AWD (G4KJ)		Gasolina	4WD	2359	136	185	07.18-07.20	■	
2.4 GDI AWD (G4KJ)		Gasolina	4WD	2359	138	188	07.18-07.20	■	
3.5 MPI AWD (G6DC)		Gasolina	4WD	3470	183	249	07.19-07.20	■	
3.5 MPI AWD (G6DC)		Gasolina	4WD	3470	206	280	07.18-	■	
2.0 CRDi (D4HA)		Diesel	FWD	1995	110	150	07.18-07.20	■	
2.0 CRDi AWD (D4HA)		Diesel	4WD	1995	110	150	07.18-07.20	■	
2.0 CRDi (D4HA)		Diesel	FWD	1995	137	186	02.18-07.20	■	
2.0 CRDi AWD (D4HA)		Diesel	4WD	1995	137	186	02.18-07.20	■	
2.0 CRDi		Diesel	FWD	1995	139	189	05.18-	■	
2.2 CRDi (D4HB)		Diesel	FWD	2199	147	200	07.18-11.20	■	
2.2 CRDi AWD (D4HB)		Diesel	4WD	2199	147	200	07.18-11.20	■	
2.2 CRDi AWD (D4HB)		Diesel	4WD	2199	149	203	02.18-	■	
2.2 CRDi AWD		Diesel	4WD	2199	155	211	07.18-	■	
HYUNDAI (BEIJING)									
SANTA FE (DM) 12.12-							SUV (Executive SUV-J Segment)		
2.0	01/17-	Gasolina	FWD	1998	180	245	12.12-	■	
2.0 4WD	01/17-	Gasolina	4WD	1998	180	245	12.12-	■	
2.4	01/17-	Gasolina	FWD	2359	139	189	12.12-	■	
2.4 4WD	01/17-	Gasolina	4WD	2359	139	189	12.12-	■	
KIA									
SORENTO III (UM) 01.15-							SUV (Compact SUV-J Segment)		
2.0 GDi 4WD		Gasolina	4WD	1997	136	185	07.15-	■	
2.4 (G4KE)		Gasolina	FWD	2359	126	172	01.15-02.20	■	
2.4 4WD (G4KE)		Gasolina	4WD	2359	126	172	01.15-10.20	■	
2.4 (G4KE)		Gasolina	FWD	2359	128	174	01.15-12.20	■	
2.4 (G4KE)		Gasolina	FWD	2359	129	175	01.15-12.20	■	
2.4 4WD (G4KE)		Gasolina	4WD	2359	129	175	01.15-12.20	■	
2.4 GDI (G4KJ)		Gasolina	FWD	2359	138	188	01.15-10.18	■	
2.4 GDI 4WD (G4KJ)		Gasolina	4WD	2359	138	188	01.15-10.18	■	
3.3 4WD		Gasolina	4WD	3342	196	266	01.15-12.20	■	
3.3		Gasolina	FWD	3342	199	271	04.15-12.18	■	
3.3 4WD		Gasolina	4WD	3342	199	271	04.15-12.18	■	
3.5 D-CVVT (G6DC)		Gasolina	FWD	3470	206	280	07.17-12.20	■	
2.0 CRDi 4WD (D4HA)		Diesel	4WD	1995	136	185	07.15-12.20	■	
2.0 CRDi		Diesel	FWD	1995	137	186	07.15-12.20	■	
2.0 CRDi 4WD		Diesel	4WD	1995	137	186	07.15-12.20	■	
2.2 CRDi 4WD (D4HB)		Diesel	4WD	2199	142	193	11.16-12.20	■	
2.2 CRDi		Diesel	FWD	2199	143	194	01.15-12.20	■	
2.2 CRDi 4WD (D4HB)		Diesel	4WD	2199	145	197	11.16-12.20	■	
2.2 CRDi (D4HB)		Diesel	FWD	2199	147	200	01.15-08.20	■	
2.2 CRDi 4WD (D4HB)		Diesel	4WD	2199	147	200	01.15-08.20	■	

LISTA DE APLICACIONES - BUYERS GUIDE

2.2 CRDi 4WD (D4HB)	Diesel	4WD	2199	149	202	01.15-12.20
---------------------	--------	-----	------	-----	-----	-------------

