

LISTA DE APLICACIONES - BUYERS GUIDE

181955

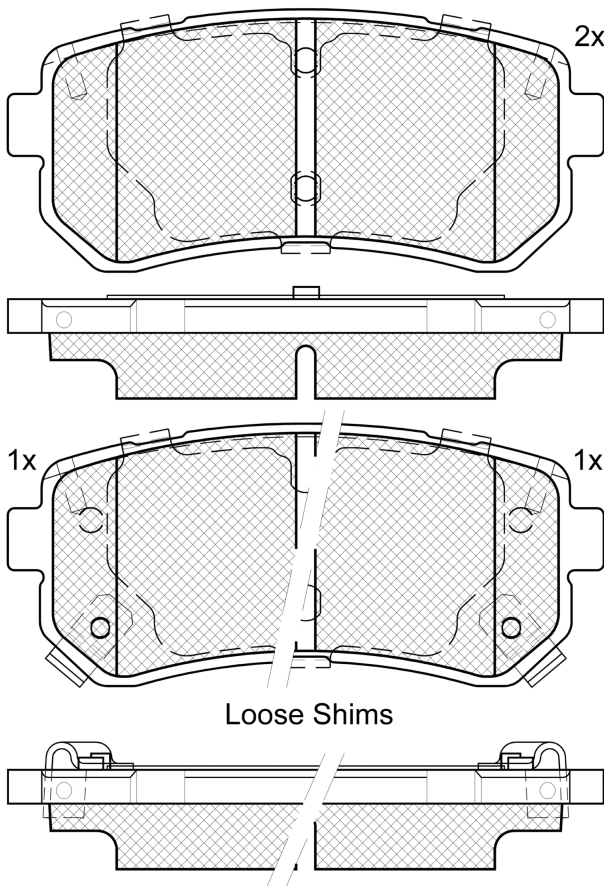


8 424073 102003

Qty: 944

Weight: 755

| O.E.M. | MAKE |
|-------------|---------|
| 58302-1KA30 | HYUNDAI |
| 58302-1MA00 | KIA |
| 58302-1MA40 | KIA |
| 58302-1YA30 | KIA |
| 58302-1YA50 | KIA |
| 58302-2LA00 | HYUNDAI |
| 58302-2LA31 | HYUNDAI |
| 58302-2LA40 | HYUNDAI |
| 58302-2SA00 | HYUNDAI |
| 58302-2SA10 | HYUNDAI |
| 58302-2SA30 | HYUNDAI |
| 58302-2SA35 | HYUNDAI |
| 58302-2SA70 | HYUNDAI |
| 58302-2YA30 | HYUNDAI |
| 58302-2YA50 | HYUNDAI |
| 58302-2YA70 | HYUNDAI |
| 58302-3SA20 | HYUNDAI |
| 58302-4WA10 | HYUNDAI |
| 58302-C2A10 | HYUNDAI |
| 58302-D5A30 | KIA |
| 58302-D7A00 | KIA |
| 58302-E6A10 | HYUNDAI |
| 58302-M0A00 | HYUNDAI |
| 58302-M0A10 | HYUNDAI |



181955

E 9 90R-01110/2736



Mando

93.05x41x16.1

| WVA | FMSI |
|-------|------------|
| 24320 | D1398-8506 |
| 25292 | D1804-9036 |
| 25293 | D1829-8506 |
| 25677 | D1856-9036 |
| 25678 | D2188-9432 |

MAKE

| |
|-------------------|
| CHANGAN |
| HYUNDAI |
| HYUNDAI (BEIJING) |
| KIA |
| KIA (DYK) |
| SOUEAST |
| TOYOTA |



| Trac. | CC | Kw | CV |
|-------|----|----|----|
|-------|----|----|----|



Front / Rear

CHANGAN

EADO II XT 08.18-

Hatchback ()

| | | | | | | | |
|----------------|----------|-----|------|----|-----|--------|---|
| GDI (JL478QEN) | Gasolina | FWD | 1598 | 94 | 128 | 08.18- | ■ |
|----------------|----------|-----|------|----|-----|--------|---|

HYUNDAI

CRETA II / ix25 II / CANTUS II (SU2_) 03.20-

SUV (Compact Crossover CUV-C Segment)

| | | | | | | | | |
|--------------------|--|----------|-----|------|-----|-----|--------|---|
| 1.6 MPi 4WD (SU2R) | elec.brake detention | Gasolina | 4WD | 1591 | 89 | 121 | 09.21- | ■ |
| 2.0 MPi (SU2R) | elec.brake detention, not elec.brak.detent | Gasolina | FWD | 1999 | 110 | 150 | 09.21- | ■ |
| 2.0 MPi 4WD (SU2R) | | Gasolina | 4WD | 1999 | 110 | 150 | 09.21- | ■ |

CRETA / ix25 / CANTUS (GS) 01.16-

SUV (Compact Crossover CUV-C Segment)

| | | | | | | | | |
|-----------------|--------|----------|-----|------|-----|-----|-------------|---|
| 1.6 (G4FG) | 01/17- | Gasolina | FWD | 1591 | 90 | 123 | 01.16-01.21 | ■ |
| 1.6 4WD (G4FG) | 01/17- | Gasolina | 4WD | 1591 | 90 | 123 | 08.16-01.21 | ■ |
| 2.0 (G4NA) | 01/17- | Gasolina | FWD | 1999 | 110 | 150 | 01.16-01.21 | ■ |
| 2.0 4WD | 01/17- | Gasolina | 4WD | 1999 | 110 | 149 | 01.16-01.21 | ■ |
| 1.4 CRDi (D4FC) | 01/17- | Diesel | FWD | 1396 | 66 | 90 | 01.16-01.21 | ■ |
| 1.6 CRDI (D4FB) | 01/17- | Diesel | FWD | 1582 | 94 | 128 | 01.16-01.21 | ■ |

ELANTRA IV / AVANTE (HD) 11.05-12.13

Saloon (Compact car-C Segment)

| | | | | | | | | |
|-----------------|--------|----------|-----|------|-----|-----|-------------|---|
| 1.6 CVVT (G4FC) | 01/09- | Gasolina | FWD | 1591 | 90 | 122 | 06.06-06.11 | ■ |
| 2.0 CVVT (G4GC) | | Gasolina | FWD | 1975 | 103 | 140 | 06.06-05.10 | ■ |
| 2.0 CVVT (G4GC) | 01/09- | Gasolina | FWD | 1975 | 105 | 143 | 06.06-06.11 | ■ |

ix20 (JC) 11.10-

Hatchback (Mini MPV-M1 Segment)

| | | | | | | | | |
|------------|-----|----------|-----|------|----|-----|-------------|---|
| 1.2 | USA | Gasolina | FWD | 1197 | 59 | 80 | 11.10- | ■ |
| 1.4 (G4FA) | USA | Gasolina | FWD | 1396 | 66 | 90 | 11.10-07.19 | ■ |
| 1.4 (G4FA) | USA | Gasolina | FWD | 1396 | 74 | 100 | 11.10-07.19 | ■ |

LISTA DE APLICACIONES - BUYERS GUIDE

| | | | | | | | | |
|--|-----|------------------|-----|--|-----|-----|-------------|---|
| 1.6 (G4FC) | USA | Gasolina | FWD | 1591 | 92 | 125 | 11.10-07.19 | ■ |
| 1.4 LPG (G4FA) | | Gasol./Gas (LPG) | FWD | 1396 | 66 | 90 | 11.10-07.19 | ■ |
| 1.6 LPG (G4FC) | | Gasol./Gas (LPG) | FWD | 1591 | 92 | 125 | 11.10-07.19 | ■ |
| 1.4 CRDi (D4FC) | USA | Diesel | FWD | 1396 | 57 | 78 | 06.11-07.19 | ■ |
| 1.4 CRDi (D4FC) | USA | Diesel | FWD | 1396 | 66 | 90 | 11.10-07.19 | ■ |
| 1.6 CRDi (D4FB) | USA | Diesel | FWD | 1582 | 85 | 116 | 06.11-07.19 | ■ |
| 1.6 CRDi (D4FB) | | Diesel | FWD | 1582 | 94 | 128 | 06.11-07.19 | ■ |
| ix35 / TUCSON II 08.09-12.15 | | | | SUV Van (Compact SUV-J Segment) | | | | |
| GDI | | Gasolina | FWD | 1591 | 99 | 135 | 05.15-12.15 | ■ |
| CRDi | | Diesel | FWD | 1685 | 85 | 116 | 09.10-12.15 | ■ |
| CRDi | | Diesel | FWD | 1995 | 100 | 136 | 08.09-12.15 | ■ |
| CRDi 4WD | | Diesel | 4WD | 1995 | 100 | 136 | 08.09-12.15 | ■ |
| ix35 / TUCSON II (LM, EL, ELH) 08.09- | | | | SUV (Compact SUV-J Segment) | | | | |
| FCEV | | Hidrógeno | FWD | | 53 | 72 | 10.12- | ■ |
| Fuel Cell | | Hidrógeno | FWD | | 100 | 136 | 09.14-12.15 | ■ |
| 1.6 (G4FD) | | Gasolina | FWD | 1591 | 99 | 135 | 11.10-12.15 | ■ |
| 2.0 CVVT (G4KD) | | Gasolina | FWD | 1998 | 110 | 150 | 08.09-07.13 | ■ |
| 2.0 CVVT AWD (G4KD) | | Gasolina | 4WD | 1998 | 110 | 150 | 08.09-07.13 | ■ |
| 2.0 (G4KD) | | Gasolina | FWD | 1998 | 120 | 163 | 01.10-07.13 | ■ |
| 2.0 4WD (G4KD) | | Gasolina | 4WD | 1998 | 120 | 163 | 01.10-12.15 | ■ |
| 2.0 (G4KD) | | Gasolina | FWD | 1998 | 122 | 166 | 01.10-12.15 | ■ |
| 2.0 CVVT (G4NA) | | Gasolina | FWD | 1999 | 110 | 150 | 08.13-12.15 | ■ |
| 2.0 CVVT 4WD (G4NA) | | Gasolina | 4WD | 1999 | 110 | 150 | 08.13-12.15 | ■ |
| 2.0 | | Gasolina | FWD | 1999 | 112 | 152 | 09.14- | ■ |
| 2.0 (G4NA) | | Gasolina | FWD | 1999 | 113 | 154 | 08.13-12.15 | ■ |
| 2.0 4WD (G4NA) | | Gasolina | 4WD | 1999 | 113 | 154 | 09.14-12.15 | ■ |
| 2.0 (G4NA) | | Gasolina | FWD | 1999 | 114 | 155 | 11.13-12.15 | ■ |
| 2.0 AWD (G4NA) | | Gasolina | 4WD | 1999 | 114 | 155 | 11.13-12.15 | ■ |
| 2.0 | | Gasolina | FWD | 1999 | 116 | 158 | 09.14-06.15 | ■ |
| 2.0 4WD (G4NA) | | Gasolina | 4WD | 1999 | 116 | 158 | 09.14-06.15 | ■ |
| 2.0 CVVT 4WD (G4KD) | | Gasolina | 4WD | 1999 | 122 | 166 | 08.09-12.15 | ■ |
| 2.0 GDI (G4NC) | | Gasolina | FWD | 1999 | 122 | 166 | 08.13-12.15 | ■ |
| 2.0 GDI 4WD (G4NC) | | Gasolina | 4WD | 1999 | 122 | 166 | 08.13-12.15 | ■ |
| 2.4 CVVT 4WD (G4KE) | | Gasolina | 4WD | 2359 | 125 | 170 | 12.14-06.15 | ■ |
| 2.4 DCVVT-I 4WD (G4KE) | | Gasolina | 4WD | 2359 | 128 | 174 | 07.10-12.13 | ■ |
| 2.4 4WD (G4KE) | | Gasolina | 4WD | 2359 | 129 | 175 | 09.12-12.13 | ■ |
| 2.4 4WD (G4KE) | | Gasolina | 4WD | 2359 | 130 | 177 | 01.10-12.15 | ■ |
| 2.4 GDI 4WD | | Gasolina | 4WD | 2359 | 136 | 185 | 01.13-12.15 | ■ |
| 2.0 Flex | | Gasol./Etanol | FWD | 1999 | 131 | 178 | 05.12-08.15 | ■ |
| 1.7 CRDi (D4FD) | | Diesel | FWD | 1685 | 85 | 116 | 11.10-12.15 | ■ |
| 2.0 CRDi (D4HA) | | Diesel | FWD | 1995 | 100 | 136 | 01.10-12.15 | ■ |
| 2.0 CRDi 4WD (D4HA) | | Diesel | 4WD | 1995 | 100 | 136 | 01.10-12.15 | ■ |
| 2.0 CRDi (D4HA) | | Diesel | FWD | 1995 | 130 | 177 | 01.12-12.15 | ■ |
| 2.0 CRDi 4WD (D4HA) | | Diesel | 4WD | 1995 | 130 | 177 | 01.11-12.15 | ■ |
| 2.0 CRDi (D4HA) | | Diesel | FWD | 1995 | 132 | 179 | 01.10-06.15 | ■ |
| 2.0 CRDi 4WD (D4HA) | | Diesel | 4WD | 1995 | 132 | 179 | 01.10-06.15 | ■ |
| 2.0 CRDi (D4HA) | | Diesel | FWD | 1995 | 135 | 184 | 08.09-12.15 | ■ |
| 2.0 CRDi 4WD (D4HA) | | Diesel | 4WD | 1995 | 135 | 184 | 01.10-12.15 | ■ |

LISTA DE APLICACIONES - BUYERS GUIDE

| KONA (OS, OSE, OSI) 06.17- | | | | | SUV Van (Subcompact SUV-B Segment) | | | |
|---|--|------------------|-----|------|---|-----|-------------|---|
| 1.0 T-GDI (G3LC) | not elec.brak.detent | Gasolina | FWD | 998 | 88 | 120 | 07.17- | ■ |
| KONA (OS, OSE, OSI) 06.17- | | | | | SUV (Subcompact SUV-B Segment) | | | |
| 1.0 T-GDI (G3LC) | | Gasolina | FWD | 998 | 88 | 120 | 07.17-04.23 | ■ |
| 1.6 T-GDI (G4FJ) | not elec.brak.detent | Gasolina | FWD | 1591 | 130 | 177 | 07.17-12.20 | ■ |
| 1.6 T-GDi 4WD (G4FJ) | not elec.brak.detent | Gasolina | 4WD | 1591 | 130 | 177 | 06.17-03.23 | ■ |
| 1.6 T-GDI | Rim 15, not elec.brak.detent | Gasolina | FWD | 1598 | 146 | 199 | 11.20-04.23 | ■ |
| 1.6 T-GDi 4WD | not elec.brak.detent, Rim 15 | Gasolina | 4WD | 1598 | 146 | 199 | 11.20-04.23 | ■ |
| 2.0 (G4NH) | | Gasolina | FWD | 1999 | 110 | 150 | 07.17- | ■ |
| 1.0 T-GDI hybrid 48V | not elec.brak.detent, Rim 14, Rim 15 | Gasol./el éc. | FWD | 998 | 88 | 120 | 11.20-04.23 | ■ |
| 1.6 CRDi hybrid 48V | Rim 15, not elec.brak.detent | Diesel/el éc. | FWD | 1598 | 100 | 136 | 11.20-08.21 | ■ |
| 1.6 CRDi Hybrid 48V 4WD | not elec.brak.detent, Rim 15 | Diesel/el éc. | 4WD | 1598 | 100 | 136 | 11.20-08.21 | ■ |
| 1.6 CRDI | | Diesel | FWD | 1582 | 85 | 116 | 07.17- | ■ |
| 1.6 CRDi e-VGT (D4FB) | | Diesel | FWD | 1582 | 100 | 136 | 07.17- | ■ |
| 1.6 CRDi e-VGT AWD (D4FB) | | Diesel | 4WD | 1582 | 100 | 136 | 07.17- | ■ |
| 1.6 CRDI (D4FE) | not elec.brak.detent | Diesel | FWD | 1598 | 85 | 116 | 08.18-11.20 | ■ |
| 1.6 CRDi e-VGT (D4FE) | not elec.brak.detent | Diesel | FWD | 1598 | 100 | 136 | 08.18-08.21 | ■ |
| 1.6 CRDi e-VGT AWD (D4FE) | | Diesel | 4WD | 1598 | 100 | 136 | 08.18-08.21 | ■ |
| SONATA V / EMBERA V (NF) 08.04-11.14 | | | | | Saloon (Executive car-E Segment) | | | |
| 2.4 (G4KC) | | Gasolina | FWD | 2359 | 119 | 162 | 01.05-12.10 | ■ |
| SONATA VI / i45 VI (YF) 06.09-12.15 | | | | | Saloon (Executive car-E Segment) | | | |
| 2.0 (G4KD) | | Gasolina | FWD | 1998 | 110 | 150 | 06.09-06.14 | ■ |
| 2.0 i (G4KD) | | Gasolina | FWD | 1998 | 120 | 163 | 09.12-06.14 | ■ |
| 2.0 i (G4KD) | | Gasolina | FWD | 1998 | 121 | 165 | 01.11-06.14 | ■ |
| 2.4 (G4KC) | | Gasolina | FWD | 2359 | 131 | 178 | 11.10-12.15 | ■ |
| 2.0 Hybrid (G4NA) | | Gasol./el éc. | FWD | 1999 | 110 | 150 | 01.11-06.14 | ■ |
| 2.4 Hybrid | | Gasol./el éc. | FWD | 2359 | 149 | 203 | 09.10- | ■ |
| SONATA VII (LF) 03.14-06.23 | | | | | Saloon (Executive car-E Segment) | | | |
| 1.6 (G4FJ) | | Gasolina | FWD | 1591 | 132 | 180 | 01.15- | ■ |
| 1.6 (G4FJ) | | Gasolina | FWD | 1591 | 133 | 181 | 09.14-12.19 | ■ |
| 2.0 CVVT (G4NA) | Rim 14, not elec.brak.detent | Gasolina | FWD | 1999 | 110 | 150 | 11.14-12.19 | ■ |
| 2.0 MPi (G4NA) | | Gasolina | FWD | 1999 | 115 | 157 | 06.14-12.19 | ■ |
| 2.0 CVVL | | Gasolina | FWD | 1999 | 124 | 169 | 09.14-12.19 | ■ |
| 2.4 | | Gasolina | FWD | 2359 | 126 | 171 | 03.17-12.19 | ■ |
| 2.4 (G4KE) | | Gasolina | FWD | 2359 | 131 | 178 | 12.14-12.19 | ■ |
| 2.4 MPi | Eq.V_ Manual Parking Brake | Gasolina | FWD | 2359 | 131 | 178 | 01.15- | ■ |
| 2.4 (G4KJ) | Eq.V_ Manual Parking Brake, Rim 14, not elec.brak.detent | Gasolina | FWD | 2359 | 138 | 188 | 09.14-12.19 | ■ |
| 2.4 GDI (G4KJ) | | Gasolina | FWD | 2359 | 142 | 193 | 09.14-12.19 | ■ |
| 2.0 LPG (G4NA) | | Gasol./Gas (LPG) | FWD | 1999 | 111 | 151 | 06.14-06.23 | ■ |
| 2.0 LPG (G4NA) | 01/16-, Eq.V_ EV1, Canada | Gasol./Gas (LPG) | FWD | 1999 | 113 | 154 | 09.14-12.19 | ■ |
| 2.0 Hybrid | 01/16-, Eq.V_ EV1, Canada | Gasol./el éc. | FWD | 1999 | 110 | 150 | 09.14-12.19 | ■ |
| 2.0 Hybrid | Eq.V_ EV1, Canada | Gasol./el éc. | FWD | 1999 | 115 | 156 | 06.16- | ■ |
| 2.0 Hybrid | 01/16-, Eq.V_ EV1, Canada | Gasol./el éc. | FWD | 1999 | 153 | 208 | 09.14- | ■ |
| 2.0 Gdi Hybrid | 01/16-, Eq.V_ EV1, Canada | Gasol./el éc. | FWD | 1999 | 165 | 224 | 09.14- | ■ |

LISTA DE APLICACIONES - BUYERS GUIDE

| | | | | | | | | | |
|---|---------------------------------|---------------|-----|------|--|-----|-------------|---|--|
| 1.7 CRDi | | Diesel | FWD | 1685 | 104 | 141 | 01.15-12.19 | ■ | |
| TUCSON III (TLE) 05.15- | | | | | SUV Van (Compact SUV-J Segment) | | | | |
| 1.6 T-GDI (G4FJ) | Rep.Checa, not elec.brak.detent | Gasolina | FWD | 1591 | 130 | 177 | 06.15-12.20 | ■ | |
| 1.6 CRDi (D4FE) | not elec.brak.detent | Diesel | FWD | 1598 | 100 | 136 | 08.18-12.20 | ■ | |
| TUCSON III (TL, TLE) 05.15- | | | | | SUV (Compact SUV-J Segment) | | | | |
| 1.6 GDI (G4FD) | | Gasolina | FWD | 1591 | 96 | 130 | 06.15-09.20 | ■ | |
| 1.6 GDI (G4FD) | | Gasolina | FWD | 1591 | 97 | 132 | 06.15-09.20 | ■ | |
| 1.6 T-GDI (G4FJ) | | Gasolina | FWD | 1591 | 129 | 175 | 01.16-09.20 | ■ | |
| 1.6 T-GDI (G4FJ) | | Gasolina | FWD | 1591 | 130 | 177 | 06.15-05.23 | ■ | |
| 1.6 T-GDI A las 4 ruedas (G4FJ) | | Gasolina | 4WD | 1591 | 130 | 177 | 06.15-09.20 | ■ | |
| 1.6 T-GDI (G4FJ) | | Gasolina | FWD | 1591 | 131 | 178 | 06.15-09.20 | ■ | |
| 2.0 CVVT (G4NA) | | Gasolina | FWD | 1999 | 110 | 150 | 06.15-09.20 | ■ | |
| 2.0 CVVT A las 4 ruedas (G4NA) | | Gasolina | 4WD | 1999 | 110 | 150 | 06.15-09.20 | ■ | |
| 2.0 (G4NA) | | Gasolina | FWD | 1999 | 114 | 155 | 06.15-09.20 | ■ | |
| 2.0 | | Gasolina | FWD | 1999 | 115 | 156 | 06.15-09.20 | ■ | |
| 2.4 GDI A las 4 ruedas (G4KJ) | not elec.brak.detent | Gasolina | 4WD | 2359 | 135 | 184 | 07.19-09.20 | ■ | |
| 1.6 CRDi hybrid 48V (D4FE) | | Diesel/el éc. | FWD | 1598 | 85 | 116 | 03.19-12.20 | ■ | |
| 1.6 CRDi hybrid 48V (D4FE) | | Diesel/el éc. | FWD | 1598 | 100 | 136 | 03.19-12.20 | ■ | |
| 1.6 CRDi hybrid 48V A las 4 ruedas (D4FE) | | Diesel/el éc. | 4WD | 1598 | 100 | 136 | 03.19-12.20 | ■ | |
| 2.0 CRDi Hybrid 48V A las 4 ruedas (D4HA) | | Diesel/el éc. | 4WD | 1995 | 136 | 185 | 10.18-12.20 | ■ | |
| 1.6 CRDi (D4FE) | | Diesel | FWD | 1598 | 85 | 116 | 08.18-09.20 | ■ | |
| 1.6 CRDi A las 4 ruedas (D4FE) | | Diesel | 4WD | 1598 | 85 | 116 | 08.18-09.20 | ■ | |
| 1.6 CRDi (D4FE) | | Diesel | FWD | 1598 | 100 | 136 | 08.18-12.20 | ■ | |
| 1.6 CRDi A las 4 ruedas (D4FE) | | Diesel | 4WD | 1598 | 100 | 136 | 08.18-12.20 | ■ | |
| 1.7 CRDi (D4FD) | | Diesel | FWD | 1685 | 85 | 116 | 06.15-09.20 | ■ | |
| 1.7 CRDi (D4FD) | | Diesel | FWD | 1685 | 104 | 141 | 06.15-09.20 | ■ | |
| 2.0 CRDi (D4HA) | | Diesel | FWD | 1995 | 100 | 136 | 06.15-09.20 | ■ | |
| 2.0 CRDi A las 4 ruedas (D4HA) | | Diesel | 4WD | 1995 | 100 | 136 | 06.15-09.20 | ■ | |
| 2.0 CRDi A las 4 ruedas | | Diesel | 4WD | 1995 | 129 | 175 | 06.15-09.20 | ■ | |
| 2.0 CRDi (D4HA) | | Diesel | FWD | 1995 | 131 | 178 | 06.15-09.20 | ■ | |
| 2.0 CRDi A las 4 ruedas (D4HA) | | Diesel | 4WD | 1995 | 131 | 178 | 06.15-09.20 | ■ | |
| 2.0 CRDi (D4HA) | | Diesel | FWD | 1995 | 136 | 185 | 06.15-09.20 | ■ | |
| 2.0 CRDi A las 4 ruedas (D4HA) | | Diesel | 4WD | 1995 | 136 | 185 | 06.15-09.20 | ■ | |
| 2.0 CRDi A las 4 ruedas | | Diesel | 4WD | 1995 | 136 | 185 | 06.15- | ■ | |
| HYUNDAI (BEIJING) | | | | | | | | | |
| ENCINO (OS) 04.18- | | | | | SUV () | | | | |
| 1.6 TGDI (G4FJ) | | Gasolina | FWD | 1591 | 130 | 177 | 04.18- | ■ | |
| ix35 (LM) 04.10- | | | | | SUV (Compact SUV-J Segment) | | | | |
| 2.0 | | Gasolina | FWD | 1998 | 120 | 163 | 04.10- | ■ | |
| 2.0 | | Gasolina | FWD | 1998 | 120 | 163 | 04.10- | ■ | |
| 2.0 | | Gasolina | FWD | 1999 | 121 | 165 | 08.13- | ■ | |
| 2.0 Alas 4 ruedas | | Gasolina | FWD | 1999 | 121 | 165 | 08.13- | ■ | |
| 2.4 A las 4 ruedas (G4KE) | | Gasolina | 4WD | 2359 | 125 | 170 | 04.12- | ■ | |
| 2.4 | | Gasolina | FWD | 2359 | 128 | 174 | 04.10- | ■ | |
| 2.4 | | Gasolina | FWD | 2359 | 128 | 174 | 04.10- | ■ | |
| MISTRA II (DU) 07.20- | | | | | Saloon (Large family car-D Segment) | | | | |
| 270 TGD i (G4FS) | | Gasolina | FWD | 1497 | 125 | 170 | 03.21- | ■ | |

LISTA DE APLICACIONES - BUYERS GUIDE

| | | | | | | | | |
|---|--------|---------------|-----|------|--|-----|-------------|---|
| 1.8 (G4NK) | | Gasolina | FWD | 1797 | 105 | 143 | 03.21- | ■ |
| KIA | | | | | | | | |
| CADENZA II / K7 (YG) 01.16- | | | | | Saloon (Executive car-E Segment) | | | |
| 3.3 MPI (G6DF) | Europe | Gasolina | FWD | 3342 | 199 | 271 | 01.16- | ■ |
| 3.3 GDI (G6DM) | Europe | Gasolina | FWD | 3342 | 209 | 284 | 01.16- | ■ |
| 3.3 GDI (G6DM) | Europe | Gasolina | FWD | 3342 | 213 | 290 | 01.16-06.19 | ■ |
| CERATO II / FORTE II / K3 II (TD) 01.09- | | | | | Saloon (Compact car-C Segment) | | | |
| 1.6 (G4FC) | | Gasolina | FWD | 1591 | 90 | 122 | 01.10-02.14 | ■ |
| 1.6 CVVT (G4FC) | | Gasolina | FWD | 1591 | 91 | 124 | 02.09-06.13 | ■ |
| 1.6 (G4FC) | | Gasolina | FWD | 1591 | 93 | 126 | 01.10-06.13 | ■ |
| 2.0 CVVT (G4KD) | | Gasolina | FWD | 1998 | 110 | 150 | 07.09-06.13 | ■ |
| 2.0 (G4KD) | | Gasolina | FWD | 1998 | 115 | 156 | 01.09-06.13 | ■ |
| 2.0 | | Gasolina | FWD | 1998 | 116 | 158 | 07.10- | ■ |
| CERATO II KOUP / FORTE KOUP / K3 (TD) 01.09- | | | | | Coupe (Compact car-C Segment) | | | |
| 1.6 CVVT (G4FC) | | Gasolina | FWD | 1591 | 93 | 126 | 01.10-06.13 | ■ |
| 2.0 CVVT (G4KD) | | Gasolina | FWD | 1998 | 115 | 156 | 01.09-06.13 | ■ |
| 2.4 | | Gasolina | FWD | 2359 | 129 | 175 | 09.10-12.13 | ■ |
| CERATO III / FORTE III / K3 (YD) 09.12- | | | | | Saloon (Compact car-C Segment) | | | |
| 1.6 CVVT | | Gasolina | FWD | 1591 | 95 | 129 | 07.16-06.18 | ■ |
| 1.6 MPi (G4FG) | -01/14 | Gasolina | FWD | 1591 | 96 | 130 | 06.13-05.17 | ■ |
| 1.6 GDI | | Gasolina | FWD | 1591 | 103 | 140 | 09.12- | ■ |
| 2.0 MPi (G4KD) | -01/14 | Gasolina | FWD | 1997 | 110 | 150 | 06.13-12.16 | ■ |
| 2.0 CVVT | | Gasolina | FWD | 1998 | 118 | 160 | 07.16-12.18 | ■ |
| 1.6 16V Flex (F4FA) | | Gasol./Etanol | FWD | 1591 | 94 | 128 | 06.13-09.19 | ■ |
| 1.6 VGT | | Diesel | RWD | 1582 | 94 | 128 | 09.12- | ■ |
| CERATO III / FORTE III / K3 EURO (YD) 09.12- | | | | | Hatchback (Compact car-C Segment) | | | |
| 1.6 CVVT (G4FC) | | Gasolina | FWD | 1591 | 95 | 129 | 11.14- | ■ |
| 1.6 GDI | | Gasolina | FWD | 1591 | 103 | 140 | 09.12- | ■ |
| 2.0 CVVT (G4NA) | | Gasolina | FWD | 1999 | 118 | 160 | 07.16- | ■ |
| CERATO III KOUP / K3 KOUP (YD) 12.13- | | | | | Coupe (Compact car-C Segment) | | | |
| 1.6 GDI | | Gasolina | FWD | 1591 | 103 | 140 | 12.13- | ■ |
| 1.6 T-GDI (G4FJ) | | Gasolina | FWD | 1591 | 150 | 204 | 12.13- | ■ |
| 1.6 T-GDI | | Gasolina | FWD | 1591 | 152 | 207 | 07.16- | ■ |
| 2.0 MPi | | Gasolina | FWD | 1998 | 110 | 150 | 12.13- | ■ |
| 2.0 GDI (G4NC) | | Gasolina | FWD | 1998 | 118 | 161 | 09.14- | ■ |
| FORTE II (U.S.A.) 09.09- | | | | | Coupe (Compact car-C Segment) | | | |
| 2.0 | -01/14 | Gasolina | FWD | 1998 | 116 | 158 | 09.09- | ■ |
| 2.4 | -01/14 | Gasolina | FWD | 2359 | 127 | 173 | 09.09- | ■ |
| 2.4 | -01/14 | Gasolina | FWD | 2359 | 129 | 175 | 09.12- | ■ |
| FORTE II (U.S.A.) 09.10- | | | | | Hatchback (Compact car-C Segment) | | | |
| 2.0 | -01/14 | Gasolina | FWD | 1998 | 116 | 158 | 09.11- | ■ |
| FORTE II (U.S.A.) 09.09- | | | | | Saloon (Compact car-C Segment) | | | |
| 2.0 | -01/14 | Gasolina | FWD | 1998 | 116 | 158 | 09.09- | ■ |
| 2.4 | -01/14 | Gasolina | FWD | 2359 | 129 | 175 | 09.09- | ■ |
| OPTIMA III / K5 (FSGDS6B) 01.10- | | | | | Saloon (Executive car-E Segment) | | | |
| 2.0 CVVL (G4KD) | 01/16- | Gasolina | FWD | 1998 | 121 | 165 | 03.12-12.15 | ■ |
| 2.0 (G4KD) | 01/16- | Gasolina | FWD | 1998 | 125 | 170 | 03.12-12.15 | ■ |

LISTA DE APLICACIONES - BUYERS GUIDE

| | | | | | | | | | |
|---|-----------------------------|------------------|-----|------|---|-----|-------------|---|--|
| 2.0 (G4KH) | 01/16- | Gasolina | FWD | 1998 | 204 | 277 | 09.10-12.15 | ■ | |
| 2.0 CVVT Hybrid (G4NE) | 01/16- | Gasol./el éc. | FWD | 1999 | 110 | 150 | 03.12- | ■ | |
| 2.0 CVVT Hybrid | 01/16- | Gasol./el éc. | FWD | 1999 | 140 | 190 | 12.12-12.15 | ■ | |
| OPTIMA IV / K5 (JF) 09.15- | | | | | Saloon (Executive car-E Segment) | | | | |
| 1.6 | | Gasolina | FWD | 1591 | 133 | 180 | 09.15- | ■ | |
| 2.0 | | Gasolina | FWD | 1999 | 113 | 154 | 09.15-12.19 | ■ | |
| 2.0 CVVL (G4ND) | | Gasolina | FWD | 1999 | 120 | 163 | 09.15-12.19 | ■ | |
| 2.0 CVVL (G4ND) | | Gasolina | FWD | 1999 | 124 | 168 | 09.15-12.17 | ■ | |
| 2.4 | | Gasolina | FWD | 2359 | 138 | 180 | 09.15- | ■ | |
| 2.4 GDI (G4KJ) | | Gasolina | FWD | 2359 | 138 | 188 | 09.15-12.19 | ■ | |
| 2.0 LPI | | Gasol./Gas (LPG) | FWD | 1999 | 113 | 153 | 09.15- | ■ | |
| 2.0 Gdi Hybrid (G4NG) | | Gasol./el éc. | FWD | 1999 | 151 | 205 | 09.16-12.19 | ■ | |
| 1.7 CRDi (D4FD) | | Diesel | FWD | 1685 | 104 | 141 | 11.15-04.18 | ■ | |
| OPTIMA IV / K5 Sport Wagon (JF) 09.16- | | | | | Estate (Executive car-E Segment) | | | | |
| 2.0 CVVL | | Gasolina | FWD | 1999 | 120 | 163 | 09.16-12.19 | ■ | |
| 1.7 CRDi (D4FD) | | Diesel | FWD | 1685 | 104 | 141 | 09.16-04.18 | ■ | |
| OPTIMA V / K5 (DL3) 12.19- | | | | | Saloon (Executive car-E Segment) | | | | |
| 2.0 LPG | not elec.brak.detent | LPG | FWD | 1999 | 107 | 145 | 12.19- | ■ | |
| 1.6 T-GDI | not elec.brak.detent | Gasolina | FWD | 1598 | 132 | 179 | 12.19- | ■ | |
| 2.0 | not elec.brak.detent | Gasolina | FWD | 1999 | 118 | 160 | 12.19- | ■ | |
| 2.0 Hybrid | not elec.brak.detent | Gasol./el éc. | FWD | 1999 | 143 | 194 | 12.19- | ■ | |
| PICANTO II/MORNING/EURO STAR (TA) 05.11- | | | | | Hatchback (City car-A Segment) | | | | |
| 1.0 (G3LA) | disc brak.rear axle, Europe | Gasolina | FWD | 998 | 49 | 67 | 05.11-03.17 | ■ | |
| 1.0 (G3LA) | disc brak.rear axle, Europe | Gasolina | FWD | 998 | 51 | 69 | 05.11-03.17 | ■ | |
| 1.0 | disc brak.rear axle, Europe | Gasolina | FWD | 998 | 60 | 82 | 05.11- | ■ | |
| 1.2 (G4LA) | disc brak.rear axle, Europe | Gasolina | FWD | 1248 | 63 | 85 | 09.11-03.17 | ■ | |
| 1.2 (G4LA) | disc brak.rear axle, Europe | Gasolina | FWD | 1248 | 64 | 87 | 09.11-02.17 | ■ | |
| 1.0 LPG (B3LA) | disc brak.rear axle, Europe | Gasol./Gas (LPG) | FWD | 998 | 49 | 67 | 08.13-03.17 | ■ | |
| 1.0 Bi-Fuel (B3LA) | disc brak.rear axle, Europe | Gasol./Gas (LPG) | FWD | 998 | 60 | 82 | 05.11-10.14 | ■ | |
| 1.0 Flex (G3LA) | disc brak.rear axle, Europe | Gasol./Etanol | FWD | 998 | 59 | 80 | 08.11-12.17 | ■ | |
| RAY (RA) 11.11- | | | | | MPV (Mini MPV-M1 Segment) | | | | |
| 1.0 | disc brak.rear axle | Gasolina | FWD | 998 | 57 | 78 | 11.11- | ■ | |
| 1.0 LPG | disc brak.rear axle | Gasolina | FWD | 998 | 57 | 78 | 11.11- | ■ | |
| 1.0 TCI | disc brak.rear axle | Gasolina | FWD | 998 | 78 | 106 | 11.11- | ■ | |
| SELTOS (SP2, SP2i) 08.19- | | | | | SUV (Compact SUV-J Segment) | | | | |
| 1.6 MPi 4WD (SP2) (G4FG) | | Gasolina | 4WD | 1591 | 89 | 121 | 09.19- | ■ | |
| 1.6 MPi (SP2) (G4FG) | | Gasolina | FWD | 1591 | 90 | 122 | 09.19- | ■ | |
| 1.6 T-GDi 4WD (SP2) (G4FJ) | | Gasolina | 4WD | 1591 | 130 | 177 | 09.19-06.22 | ■ | |
| 2.0 MPi (SP2) (G4NH) | | Gasolina | FWD | 1999 | 110 | 150 | 08.19- | ■ | |
| 2.0 MPi 4WD (SP2) (G4NH) | not elec.brak.detent | Gasolina | 4WD | 1999 | 110 | 150 | 08.19- | ■ | |
| SOUL II (PS) 02.14- | | | | | Hatchback (Mini MPV-M1 Segment) | | | | |
| 1.6 CVVT (G4FG) | | Gasolina | FWD | 1591 | 91 | 124 | 02.14-12.18 | ■ | |
| 1.6 CVVT | | Gasolina | FWD | 1591 | 95 | 129 | 07.16-12.18 | ■ | |
| 1.6 GDI (G4FD) | | Gasolina | FWD | 1591 | 97 | 132 | 02.14-12.18 | ■ | |
| 1.6 TGDI | | Gasolina | FWD | 1591 | 150 | 204 | 11.16-12.18 | ■ | |

LISTA DE APLICACIONES - BUYERS GUIDE

| | | | | | | | | | |
|-------------------------------------|----------------------|------------------|-----|------|-----|--|-------------|---|--|
| 2.0 CVVT (G4NA) | | Gasolina | FWD | 1999 | 110 | 150 | 08.16-12.18 | ■ | |
| 2.0 CVVT (G4NA) | | Gasolina | FWD | 1999 | 113 | 154 | 02.14-12.18 | ■ | |
| 1.6 LPG (G4FG) | | Gasol./Gas (LPG) | FWD | 1591 | 87 | 118 | 12.14-12.18 | ■ | |
| 1.6 LPG (G4FG) | | Gasol./Gas (LPG) | FWD | 1591 | 96 | 131 | 12.14-12.18 | ■ | |
| 1.6 CRDi 128 (D4FB) | | Diesel | FWD | 1582 | 94 | 126 | 02.14-12.18 | ■ | |
| 1.6 CRDi 136 (D4FB) | | Diesel | FWD | 1582 | 100 | 136 | 04.15-12.18 | ■ | |
| SPORTAGE III (SL) 09.09- | | | | | | SUV (Compact SUV-J Segment) | | | |
| 1.6 GDI (G4FD) | | Gasolina | FWD | 1591 | 99 | 135 | 06.10-12.15 | ■ | |
| 2.0 CVVT (G4KD) | | Gasolina | FWD | 1998 | 110 | 150 | 06.10-12.13 | ■ | |
| 2.0 CVVT AWD (G4KD) | | Gasolina | 4WD | 1998 | 110 | 150 | 06.10-12.13 | ■ | |
| 2.0 CVVT | | Gasolina | FWD | 1998 | 116 | 158 | 11.14- | ■ | |
| 2.0 CVVT | | Gasolina | FWD | 1998 | 116 | 158 | 11.14- | ■ | |
| 2.0 CVVT (G4KD) | | Gasolina | FWD | 1998 | 120 | 163 | 07.10-12.15 | ■ | |
| 2.0 CVVT AWD (G4KD) | | Gasolina | 4WD | 1998 | 120 | 163 | 07.10-12.15 | ■ | |
| 2.0 CVVT (G4KD) | | Gasolina | FWD | 1998 | 122 | 166 | 07.10-12.15 | ■ | |
| 2.0 CVVT AWD (G4KD) | | Gasolina | 4WD | 1998 | 122 | 166 | 07.10-12.15 | ■ | |
| 2.0 GDI (G4NC) | | Gasolina | FWD | 1998 | 122 | 166 | 02.14-12.15 | ■ | |
| 2.0 GDI AWD (G4NC) | | Gasolina | 4WD | 1998 | 122 | 166 | 02.14-12.15 | ■ | |
| 2.0 CVVT (G4NA) | | Gasolina | FWD | 1999 | 110 | 150 | 01.14-12.15 | ■ | |
| 2.0 CVVT AWD (G4NA) | | Gasolina | 4WD | 1999 | 110 | 150 | 01.14-12.15 | ■ | |
| 2.0 CVVT | | Gasolina | FWD | 1999 | 113 | 154 | 11.14-12.15 | ■ | |
| 2.0 CVVT AWD (G4NA) | | Gasolina | 4WD | 1999 | 113 | 154 | 11.14-12.15 | ■ | |
| 2.4 i AWD (G4KE) | | Gasolina | 4WD | 2359 | 130 | 177 | 08.10-12.15 | ■ | |
| 1.6 LPG (G4FD) | | Gasol./Gas (LPG) | FWD | 1591 | 99 | 135 | 01.14-12.15 | ■ | |
| 2.0 CVVT Flex | | Gasol./Etanol | FWD | 1998 | 131 | 178 | 02.12-12.16 | ■ | |
| 2.0 CVVT Flex AWD | | Gasol./Etanol | 4WD | 1998 | 131 | 178 | 01.12-12.16 | ■ | |
| 1.7 CRDi (D4FD) | | Diesel | FWD | 1685 | 85 | 116 | 12.10-12.15 | ■ | |
| 2.0 CRDi (D4HA) | | Diesel | FWD | 1995 | 100 | 136 | 07.10-12.15 | ■ | |
| 2.0 CRDi AWD (D4HA) | | Diesel | 4WD | 1995 | 100 | 136 | 07.10-12.15 | ■ | |
| 2.0 CRDi (D4HA) | | Diesel | FWD | 1995 | 130 | 177 | 08.12-12.16 | ■ | |
| 2.0 CRDi AWD (D4HA) | | Diesel | 4WD | 1995 | 130 | 177 | 08.12-12.16 | ■ | |
| 2.0 CRDi (D4HA) | | Diesel | FWD | 1995 | 135 | 184 | 08.10-12.15 | ■ | |
| 2.0 CRDi AWD (D4HA) | | Diesel | 4WD | 1995 | 135 | 184 | 08.10-12.15 | ■ | |
| SPORTAGE IV (QL, QLE) 09.15- | | | | | | SUV Van (Compact SUV-J Segment) | | | |
| 1.6 T-GDI (G4FJ) | not elec.brak.detent | Gasolina | FWD | 1591 | 130 | 177 | 05.18- | ■ | |
| 1.6 CRDi Eco-Dynamics+ AWD (D4FE) | not elec.brak.detent | Diesel/eléc. | FWD | 1598 | 100 | 136 | 03.19- | ■ | |
| 1.6 CRDi Eco-Dynamics+ AWD (D4FE) | not elec.brak.detent | Diesel/eléc. | 4WD | 1598 | 100 | 136 | 03.19- | ■ | |
| SPORTAGE IV (QL, QLE) 01.15- | | | | | | SUV (Compact SUV-J Segment) | | | |
| 1.6 GDI (G4FD) | not elec.brak.detent | Gasolina | FWD | 1591 | 97 | 132 | 09.15-09.22 | ■ | |
| 1.6 T-GDI (G4FJ) | not elec.brak.detent | Gasolina | FWD | 1591 | 130 | 177 | 09.15-09.22 | ■ | |
| 1.6 T-GDI AWD (G4FJ) | not elec.brak.detent | Gasolina | 4WD | 1591 | 130 | 177 | 09.15-09.22 | ■ | |
| 2.0 AWD (G4NA) | | Gasolina | 4WD | 1999 | 110 | 150 | 12.15-09.22 | ■ | |
| 2.0 (G4NA) | not elec.brak.detent | Gasolina | FWD | 1999 | 114 | 155 | 12.15-09.22 | ■ | |
| 2.0 AWD (G4NA) | not elec.brak.detent | Gasolina | 4WD | 1999 | 114 | 155 | 12.15-09.22 | ■ | |
| 2.0 (G4NA) | not elec.brak.detent | Gasolina | FWD | 1999 | 115 | 157 | 12.15-09.22 | ■ | |
| 2.0 (G4NA) | not elec.brak.detent | Gasolina | FWD | 1999 | 117 | 159 | 12.15-09.22 | ■ | |
| 2.0 Flex | not elec.brak.detent | Gasolina | FWD | 1999 | 123 | 167 | 06.16- | ■ | |

LISTA DE APLICACIONES - BUYERS GUIDE

| | | | | | | | | | |
|-------------------------------------|--------------------------------|------------------|-----|------|-----|---|-------------|---|--|
| 2.4 GDI AWD | not elec.brak.detent | Gasolina | 4WD | 2359 | 135 | 184 | 09.15-09.22 | ■ | |
| 1.6 LPG (QLE) (G4FD) | not elec.brak.detent | Gasol./Gas (LPG) | FWD | 1591 | 93 | 126 | 07.20-09.22 | ■ | |
| 2.0 Alcohol | not elec.brak.detent | Gasol./Etanol | FWD | 1999 | 114 | 155 | 12.15-09.22 | ■ | |
| 1.6 CRDi Eco-Dynamics+ AWD (D4FE) | | Diesel/eléc. | FWD | 1598 | 85 | 116 | 03.19-09.22 | ■ | |
| 1.6 CRDi Eco-Dynamics+ AWD (D4FE) | | Diesel/eléc. | FWD | 1598 | 100 | 136 | 03.19-09.22 | ■ | |
| 1.6 CRDi Eco-Dynamics+ AWD (D4FE) | | Diesel/eléc. | 4WD | 1598 | 100 | 136 | 03.19-09.22 | ■ | |
| 2.0 CRDi Eco-Dynamics+ AWD (D4HA) | | Diesel/eléc. | 4WD | 1995 | 136 | 185 | 06.18-09.22 | ■ | |
| 1.6 CRDI (D4FE) | | Diesel | FWD | 1598 | 85 | 116 | 07.18-09.22 | ■ | |
| 1.6 CRDI (D4FE) | | Diesel | FWD | 1598 | 100 | 136 | 07.18-09.22 | ■ | |
| 1.6 CRDi AWD (D4FE) | | Diesel | 4WD | 1598 | 100 | 136 | 07.18-09.22 | ■ | |
| 1.7 CRDi (D4FD) | not elec.brak.detent | Diesel | FWD | 1685 | 85 | 116 | 09.15-09.22 | ■ | |
| 1.7 CRDi (D4FD) | not elec.brak.detent | Diesel | FWD | 1685 | 104 | 141 | 11.16-09.22 | ■ | |
| 2.0 CRDi (D4HA) | not elec.brak.detent | Diesel | FWD | 1995 | 100 | 136 | 09.15-09.22 | ■ | |
| 2.0 CRDi AWD (D4HA) | not elec.brak.detent | Diesel | 4WD | 1995 | 100 | 136 | 09.15-09.22 | ■ | |
| 2.0 CRDi AWD | not elec.brak.detent | Diesel | 4WD | 1995 | 129 | 175 | 09.15-09.22 | ■ | |
| 2.0 CRDi AWD (D4HA) | not elec.brak.detent, Type QLE | Diesel | 4WD | 1995 | 131 | 178 | 09.15-09.22 | ■ | |
| 2.0 CRDi AWD | | Diesel | 4WD | 1995 | 134 | 182 | 01.16-09.22 | ■ | |
| 2.0 CRDi (D4HA) | | Diesel | FWD | 1995 | 136 | 185 | 09.15-09.22 | ■ | |
| 2.0 CRDi AWD (D4HA) | not elec.brak.detent | Diesel | 4WD | 1995 | 136 | 185 | 09.15-09.22 | ■ | |
| KIA (DYK) | | | | | | | | | |
| SPORTAGE III (NP) 04.18- | | | | | | SUV (Compact SUV-J Segment) | | | |
| 2.0 (G4NA) | not elec.brak.detent | Gasolina | FWD | 1999 | 118 | 161 | 04.18- | ■ | |
| SPORTAGE III ACE (NP) 07.21- | | | | | | SUV (Compact SUV-J Segment) | | | |
| 2.0 (G4NJ) | not elec.brak.detent | Gasolina | FWD | 1999 | 118 | 160 | 07.21- | ■ | |
| SOUEAST | | | | | | | | | |
| DX5 09.19- | | | | | | SUV () | | | |
| 1.5 (4A91) | | Gasolina | FWD | 1499 | 88 | 120 | 09.19- | ■ | |
| 1.5 (4A91T) | | Gasolina | FWD | 1499 | 115 | 156 | 09.19- | ■ | |
| TOYOTA | | | | | | | | | |
| CAMRY (_V1_) 10.82-07.88 | | | | | | Saloon (Executive car-E Segment) | | | |
| 1.8 Turbo-D (CV10_, CV10R) (1C-TL) | | Diesel | FWD | 1839 | 54 | 73 | 10.82-10.86 | ■ | |
| 1.8 Turbo-D (CV10_, CV10R) (1C-TLC) | | Diesel | FWD | 1839 | 54 | 73 | 10.82-10.86 | ■ | |