

# LISTA DE APLICACIONES - BUYERS GUIDE

## 181957

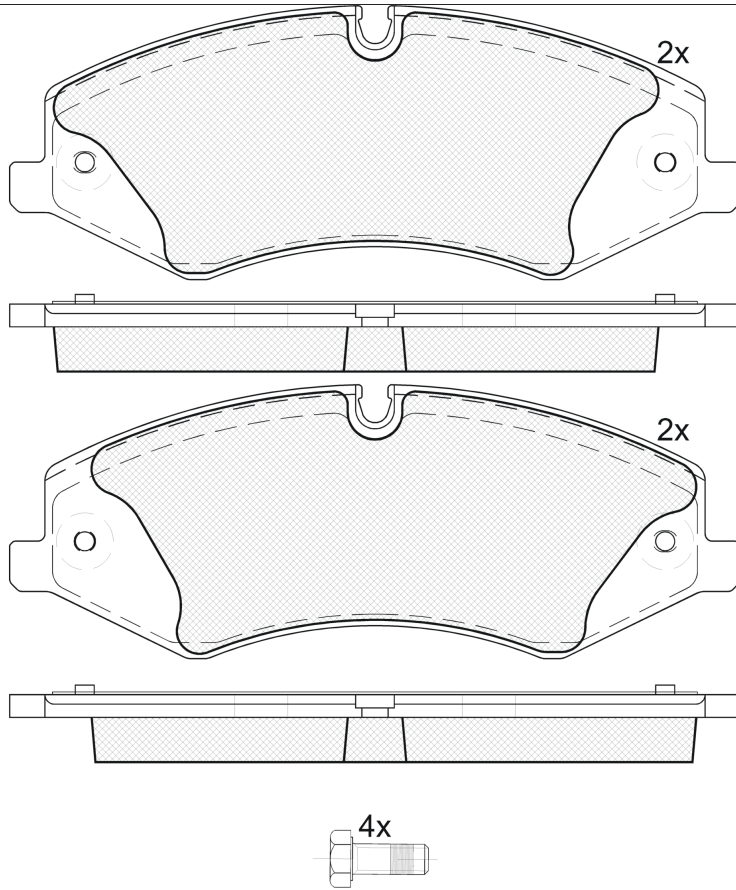


8 424073 102140

Qty: 300

Weight: 2.995

O.E.M.	MAKE
LR-015578	LAND ROVER
LR-016962	LAND ROVER



## 181957

**E 9** 90R-01111/2730



Trw

192.7x72.2x18.5

WVA	FMSI
25021	D1425-8542
25022	

MAKE
LAND ROVER
LAND ROVER (CHERY)



Trac.	CC	Kw	CV



Front / Rear

### LAND ROVER

DEFENDER III Sport Wagon (L663) 09.19-						Closed Off-Road Vehicle (Off-Road SUV-J Segment)			
P300 Si4 4x4 (PT204)	Rim 20	Gasolina	4WD	1997	221	300	09.19-		
P425 4x4		Gasolina	4WD	5000	313	426	05.24-		
P500 4x4		Gasolina	4WD	5000	368	500	04.23-		
P525 4x4	Performance brakes	Gasolina	4WD	5000	386	525	05.21-		
P300e Hybrid 4x4		Gasol./el éc.	4WD	1997	221	300	06.24-		
P300 MHEV 4x4		Gasol./el éc.	4WD	1997	221	300	07.23-		
P400e Hybrid 4x4 (PT204)	Performance brakes, Rim 20	Gasol./el éc.	4WD	1997	221	300	09.20-		
P400e Hybrid 4x4 (PT204)	Performance brakes, Rim 20	Gasol./el éc.	4WD	1997	297	404	09.20-		
P400 I6 MHEV 4x4 (PT306)	Rim 20	Gasol./el éc.	4WD	2996	294	400	09.19-		
P635 OCTA MHEV 4x4		Gasol./el éc.	4WD	4395	467	635	05.24-		
D200 MHEV 4x4 (AJ20D6)	Performance brakes, Rim 20	Diesel/el éc.	4WD	2997	147	200	09.20-		
D250 MHEV 4x4 (AJ20D6)	Performance brakes, Rim 20	Diesel/el éc.	4WD	2997	183	249	09.20-		
D300 MHEV 4x4 (AJ20D6)	Performance brakes, Rim 20	Diesel/el éc.	4WD	2997	221	300	09.20-		
D350 MHEV 4x4		Diesel/el éc.	4WD	2997	258	350	05.24-		
D200 SD4 4x4 (204DT)	Performance brakes, Rim 20	Diesel	4WD	1999	147	200	09.19-		
D240 SD4 4x4 (204DT)	Rim 20	Diesel	4WD	1999	177	241	09.19-		
DEFENDER III Van (L663) 02.20-						Closed Off-Road Van (Off-Road SUV-J Segment)			
2.0 P300 Si4 4x4 (PT204)	Rim 20	Gasolina	4WD	1997	221	300	02.20-		

# LISTA DE APLICACIONES - BUYERS GUIDE

2.0 P400e Hybrid 4x4 (PT204)	Performance brakes, Rim 20	Gasol./el éc.	4WD	1997	221	300	09.20-	■	
2.0 P400e Hybrid 4x4 (PT204)	Rim 20	Gasol./el éc.	4WD	1997	297	404	09.20-	■	
3.0 P400 I6 MHEV 4x4 (PT306)	Rim 20	Gasol./el éc.	4WD	2996	294	400	02.20-	■	
3.0 D200 MHEV 4x4 (AJ20D6)	Rim 20	Diesel/el éc.	4WD	2997	147	200	09.20-	■	
3.0 D250 MHEV 4x4 (AJ20D6)	Rim 20	Diesel/el éc.	4WD	2997	183	249	09.20-	■	
3.0 D300 MHEV 4x4 (AJ20D6)	Rim 20	Diesel/el éc.	4WD	2997	221	300	09.20-	■	
3.0 D350 MHEV 4x4		Diesel/el éc.	4WD	2997	258	351	05.24-	■	
2.0 D200 SD4 4x4 (204DT)	Rim 20	Diesel	4WD	1999	147	200	02.20-	■	
2.0 D240 SD4 4x4 (204DT)	Rim 20	Diesel	4WD	1999	177	241	02.20-	■	
<b>DISCOVERY V / LR5 (L462) 09.16-</b>					<b>SUV Van (Executive SUV-J Segment)</b>				
2.0 Si4 4x4		Gasolina	4WD	1997	221	300	09.17-	■	
3.0 SCV6 4x4	Performance brakes	Gasolina	4WD	2995	250	340	09.16-	■	
3.0 D300 MHEV 4x4		Diesel/el éc.	4WD	2997	221	300	12.20-	■	
2.0 SD4 4x4		Diesel	4WD	1999	177	241	09.16-	■	
3.0 Td6 4x4		Diesel	4WD	2993	190	258	09.16-	■	
3.0 SDV6 4x4		Diesel	4WD	2993	225	306	09.18-	■	
<b>DISCOVERY V / LR5 (L462) 09.16-</b>					<b>SUV (Executive SUV-J Segment)</b>				
2.0 Si4 4x4 (PT204)		Gasolina	4WD	1997	221	300	09.17-	■	
3.0 SCV6 4x4 (306PS)	Performance brakes	Gasolina	4WD	2995	250	340	09.16-	■	
P360 MHEV 4x4	Performance brakes	Gasol./el éc.	4WD	2996	265	360	12.20-	■	
D250 MHEV 4x4		Diesel/el éc.	4WD	2997	183	249	12.20-	■	
D300 MHEV 4x4		Diesel/el éc.	4WD	2997	221	300	12.20-	■	
D350 MHEV 4x4		Diesel/el éc.	4WD	2997	257	349	05.24-	■	
2.0 SD4 4x4 (204DTA)		Diesel	4WD	1999	177	241	09.16-	■	
3.0 D 4x4 (306DT)		Diesel	4WD	2993	183	249	09.16-	■	
3.0 Td6 4x4 (306DT)		Diesel	4WD	2993	190	258	09.16-	■	
3.0 SDV6 4x4 (306DT)		Diesel	4WD	2993	225	306	09.18-	■	
<b>DISCOVERY IV / LR4 (L319) 09.09-</b>					<b>Closed Off-Road Vehicle (Executive SUV-J Segment)</b>				
3.0 4x4 (306PS)	not armoured vehicl.	Gasolina	4WD	2995	250	340	08.13-12.18	■	
3.0 4x4 (306PS)	not armoured vehicl.	Gasolina	4WD	2995	254	345	09.12-12.18	■	
4.0 4x4 (406PN)		Gasolina	4WD	4009	160	218	09.09-12.18	■	
5.0	not armoured vehicl.	Gasolina	FWD	4394	280	381	09.09-	■	
5.0 V8 4x4 (508PN)		Gasolina	4WD	4999	276	375	09.09-12.18	■	
5.0 4x4	not armoured vehicl.	Gasolina	4WD	5000	218	296	09.09-12.18	■	
2.7 TD 4x4 (276DT)		Diesel	4WD	2720	140	190	09.09-12.18	■	
3.0 TD 4x4 (306DT)		Diesel	4WD	2993	155	211	05.10-12.18	■	
3.0 TD 4x4 (306DT)		Diesel	4WD	2993	180	245	09.09-12.18	■	
3.0 TD 4x4 (306DT)	not armoured vehicl.	Diesel	4WD	2993	183	249	07.12-12.18	■	
3.0 SDV6 4x4 (306DT)		Diesel	4WD	2993	188	256	11.09-12.18	■	
3.0 TD 4x4 (306DT)		Diesel	4WD	2993	200	272	09.09-12.18	■	
<b>DISCOVERY IV / LR4 (L319) 09.09-</b>					<b>Van (Executive SUV-J Segment)</b>				
3.0 TD 4x4 (306DT)		Diesel	4WD	2993	155	211	01.11-12.17	■	
3.0 TD 4x4 (306DT)		Diesel	4WD	2993	180	245	01.11-12.17	■	
3.0 TD 4x4 (306DT)		Diesel	4WD	2993	188	256	01.11-12.17	■	

# LISTA DE APLICACIONES - BUYERS GUIDE

<b>RANGE ROVER III (L322) 03.02-12.12</b>					<b>Closed Off-Road Vehicle (Luxury Crossover SUV-J Segment)</b>			
5.0 4x4 (508PN)		Gasolina	4WD	4999	276	375	09.09-08.12	■
3.6 D 4x4 (368DT)		Diesel	4WD	3628	200	272	04.06-08.12	■
<b>RANGE ROVER IV (L405) 08.12-</b>					<b>SUV (Luxury Crossover SUV-J Segment)</b>			
3.0 SCV6 4x4 (306PS)	Rim 19	Gasolina	4WD	2995	250	340	10.13-09.21	■
3.0 SCV6 4x4 (306PS)	Rim 19	Gasolina	4WD	2995	254	345	09.13-	■
3.0 SCV6 4x4 (306PS)	Rim 19	Gasolina	4WD	2995	280	380	06.15-09.21	■
3.0P400 4x4 (PT306)	not armoured vehicl., armoured vehicles, Performance brakes, Rim 20	Gasolina	4WD	2996	294	400	07.20-09.21	■
5.0 V8 4x4 (508PN)	Rim 19	Gasolina	4WD	5000	276	375	12.13-01.16	■
5.0 SCV8 4x4 (508PS)	armoured vehicles	Gasolina	4WD	5000	386	525	11.17-09.21	■
5.0 SCV8 4x4 (508PS)	armoured vehicles	Gasolina	4WD	5000	405	550	06.15-09.21	■
SCV8 4x4 (508PS)	armoured vehicles	Gasolina	4WD	5000	415	565	01.19-09.21	■
5.0 SCV8 4x4 (508PS)	armoured vehicles	Gasolina	4WD	5000	416	566	11.17-09.21	■
2.0 P400e Hybrid 4x4 (PT204)	Rim 19	Gasol./el éc.	4WD	1997	221	300	10.17-	■
2.0 P400e Hybrid 4x4 (PT204)	Rim 19	Gasol./el éc.	4WD	1997	297	404	10.17-09.21	■
P360 MHEV 4x4 (PT306)	armoured vehicles	Gasol./el éc.	4WD	2996	265	360	12.19-09.21	■
3.0 P400 MHEV 4x4 (PT306)	armoured vehicles	Gasol./el éc.	4WD	2996	294	400	05.19-09.21	■
3.0 SDV6 Hybrid 4x4 (306DT)	armoured vehicles	Diesel/el éc.	4WD	2993	215	292	06.15-	■
3.0 SDV6 Hybrid 4x4 (306DT)	armoured vehicles	Diesel/el éc.	4WD	2993	250	340	10.13-09.21	■
3.0 SDV6 Hybrid 4x4 (306DT)	armoured vehicles	Diesel/el éc.	4WD	2993	260	354	06.15-09.21	■
D250 MHEV 4x4 (AJ20D6)	not armoured vehicl., armoured vehicles, Performance brakes, Rim 20	Diesel/el éc.	4WD	2997	183	249	07.20-09.21	■
D300 MHEV 4x4 (AJ20D6)	not armoured vehicl., armoured vehicles, Performance brakes, Rim 20	Diesel/el éc.	4WD	2997	221	300	07.20-09.21	■
D350 MHEV 4x4 (AJ20D6)	not armoured vehicl., armoured vehicles, Performance brakes, Rim 20	Diesel/el éc.	4WD	2997	258	351	07.20-09.21	■
D350 MHEV 4x4	not armoured vehicl., armoured vehicles, Performance brakes, Rim 20	Diesel/el éc.	4WD	2997	258	351	11.20-	■
3.0 TDV6 4x4 (306DT)	Rim 19	Diesel	4WD	2993	155	211	10.13-01.16	■
3.0 SDV6 4x4 (306DT)	Rim 19	Diesel	4WD	2993	183	249	08.12-01.16	■
3.0 TDV6 4x4 (306DT)	Rim 19	Diesel	4WD	2993	190	258	08.12-09.21	■
3.0 SDV6 4x4 (306DT)	armoured vehicles, Rim 20	Diesel	4WD	2993	202	275	10.18-09.21	■
3.0 SDV6 4x4 (306DT)	Rim 19	Diesel	4WD	2993	215	292	10.12-09.21	■
D300 4x4 (AJ20D6)	not armoured vehicl., armoured vehicles, Performance brakes, Rim 20	Diesel	4WD	2997	221	300	07.20-	■
D350 4x4 (AJ20D6)	not armoured vehicl., armoured vehicles, Performance brakes, Rim 20	Diesel	4WD	2997	258	351	07.20-	■
<b>RANGE ROVER EVOQUE II (L551) 12.18-</b>					<b>SUV (Compact SUV-J Segment)</b>			
2.0 P300 4x4 (PT204)	Rim 18	Gasolina	4WD	1997	221	300	07.20-	■
2.0 P200 FLEX MHEV 4x4 (PT204)	Rim 18	Gasol./et anol/eléc	4WD	1997	147	200	09.20-	■
1.5 P160 MHEV (AJ20P3)	Rim 18	Gasol./el éc.	FWD	1498	118	160	09.20-	■
2.0 D165 MHEV 4x4 (AJ20D4)	Rim 18	Diesel/el éc.	4WD	1997	120	163	07.20-	■
2.0 D200 MHEV 4x4 (AJ20D4)	Rim 18	Diesel/el éc.	4WD	1997	150	204	07.20-	■

# LISTA DE APLICACIONES - BUYERS GUIDE

2.0 D165 (AJ20D4)	Rim 18	Diesel	FWD	1997	120	163	07.20-	■	
2.0 D165 4x4 (AJ20D4)	Rim 18	Diesel	4WD	1997	120	163	07.20-	■	
2.0 D200 4x4 (AJ20D4)	Rim 18	Diesel	4WD	1997	150	204	07.20-	■	
<b>RANGE ROVER SPORT (L320) 02.05-03.13</b>					<b>SUV (Luxury Crossover SUV-J Segment)</b>				
5.0 4x4 (508PN)		Gasolina	4WD	4999	276	375	07.09-03.13	■	
3.0 D 4x4 (306DT)		Diesel	4WD	2993	155	211	05.10-03.13	■	
3.0 D 4x4 (306DT)		Diesel	4WD	2993	180	245	09.09-03.13	■	
3.0 D 4x4 (306DT)		Diesel	4WD	2993	183	249	08.12-03.13	■	
3.0 D 4x4 (306DT)		Diesel	4WD	2993	188	256	06.11-03.13	■	
3.6 D 4x4 (368DT)		Diesel	4WD	3628	200	272	04.06-03.13	■	
<b>RANGE ROVER SPORT II (L494) 04.13-</b>					<b>SUV (Luxury Crossover SUV-J Segment)</b>				
2.0 Si4 4x4 (PT204)	Rim 19	Gasolina	4WD	1997	221	300	10.17-03.22	■	
2.0 GTDI 4x4 (204PT)		Gasolina	4WD	1999	177	241	10.15-03.22	■	
3.0 SCV6 4x4 (306PS)		Gasolina	4WD	2995	250	340	04.13-12.19	■	
3.0		Gasolina	FWD	2995	254	345	01.14-	■	
5.0 SCV8 4x4 (508PS)		Gasolina	4WD	4999	381	518	01.14-	■	
2.0 P400e PHEV 4x4 (PT204)	Rim 19	Gasol./el éc.	4WD	1997	221	300	10.17-	■	
2.0 P400e PHEV 4x4 (PT204)	Rim 19	Gasol./el éc.	4WD	1997	297	404	10.17-03.22	■	
3.0 P400 MHEV 4x4 (AJ20P6)	Performance brakes	Gasol./el éc.	4WD	2996	294	400	02.19-03.22	■	
2.0 SD4 4x4 (204DTA)		Diesel	4WD	1999	177	241	08.16-03.22	■	
3.0 TDV6 4x4 (306DT)		Diesel	4WD	2993	155	211	04.13-12.18	■	
3.0 SDV6 4x4 (306DT)		Diesel	4WD	2993	183	249	04.13-03.22	■	
3.0 TDV6 4x4 (306DT)	discØ 360	Diesel	4WD	2993	190	258	04.13-03.22	■	
3.0 SDV6 4x4 (306DT)	discØ 360	Diesel	4WD	2993	215	292	04.13-12.16	■	
<b>LAND ROVER (CHERY)</b>									
<b>(L551) 07.21-</b>					<b>SUV ()</b>				
P300e Plug-in Hybrid A las 4 ruedas (PT153,TZ-180-X-S-C01)		Gasol./el éc.	4WD	1498	227	309	08.21-	■	
<b>RANGE ROVER EVOQUE (L551) 07.19-</b>					<b>SUV (Compact SUV-J Segment)</b>				
Mild Hybrid A las 4 ruedas (PT204)		Gasol./el éc.	4WD	1997	147	200	07.21-	■	