

LISTA DE APLICACIONES - BUYERS GUIDE

181965

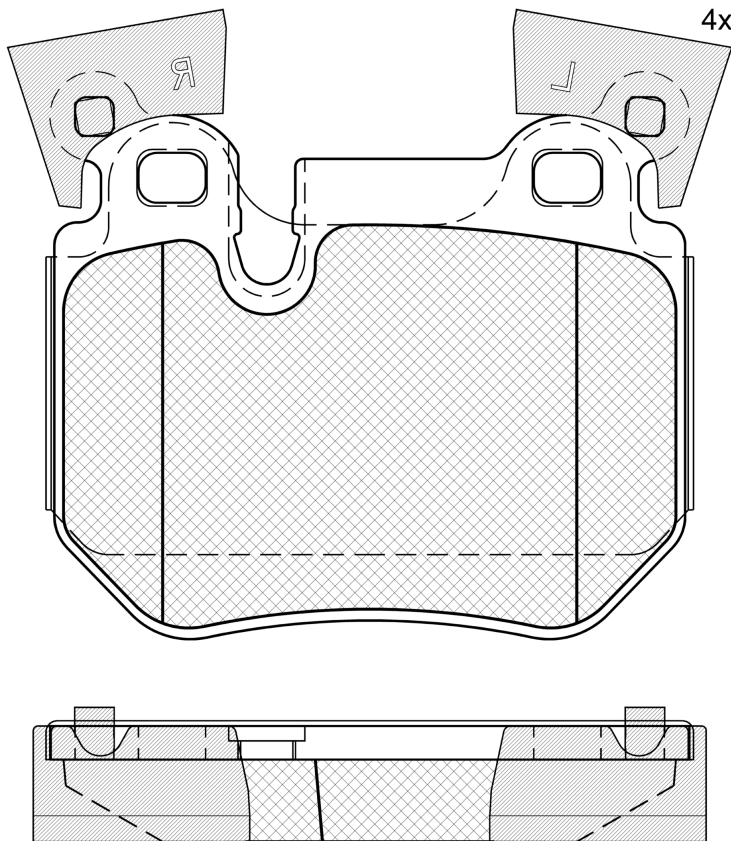


8 424073 102379

Qty: 300

Weight: 1.463

O.E.M.	MAKE
34 21 6 784 808	BMW
34 21 6 791 421	BMW
34 21 6 797 863	BMW



181965

E 9 90R-01111/2547



Brembo

86.7x76.1x16.2

WVA	FMSI
24315	D1372-8484
MAKE	
BMW	



Trac.	CC	Kw	CV			Front / Rear
-------	----	----	----	--	--	--------------

BMW

1 Serie (E88) 12.07-12.13							Convertible (Compact car-C Segment)			
135 i (N54 B30 A)	-12/10	Gasolina	RWD	2979	225	306	03.08-10.13		■	
135 i (N55 B30 A)	-12/10	Gasolina	RWD	2979	225	306	03.08-10.13		■	
135 i (N55 B30 A)	-12/10	Gasolina	RWD	2979	240	326	03.08-12.13		■	
123 d (N47 D20 B)	M technique	Diesel	RWD	1995	150	204	09.08-12.13		■	
123 d (N47 D20 D)	M technique	Diesel	RWD	1995	150	204	09.08-12.13		■	
1 Serie (E82) 10.06-10.13							Coupe (Compact car-C Segment)			
135 i (N54 B30 A)	-12/10, M technique	Gasolina	RWD	2979	225	306	10.07-10.13		■	
135 i (N55 B30 A)	-12/10, M technique	Gasolina	RWD	2979	225	306	10.07-10.13		■	
135 i (N54 B30 A)		Gasolina	RWD	2979	240	326	10.07-10.13		■	
135 i (N55 B30 A)		Gasolina	RWD	2979	240	326	10.07-10.13		■	
123 d (N47 D20 B)	M technique	Diesel	RWD	1995	150	204	10.07-09.13		■	
123 d (N47 D20 D)	M technique	Diesel	RWD	1995	150	204	10.07-09.13		■	
1 Serie (E87) 02.03-12.13							Hatchback (Compact car-C Segment)			
130 i (N52 B30 A)	M technique	Gasolina	RWD	2996	190	258	03.07-06.11		■	
130 i (N52 B30 AF)	M technique	Gasolina	RWD	2996	190	258	03.07-06.11		■	
130 i (N52 B30 B)	M technique	Gasolina	RWD	2996	190	258	03.07-06.11		■	
130 i (N52 B30 BF)	M technique	Gasolina	RWD	2996	190	258	03.07-06.11		■	
130 i (N52 B30 A)		Gasolina	RWD	2996	190	258	09.06-12.11		■	
130 i (N52 B30 B)		Gasolina	RWD	2996	190	258	09.06-12.11		■	
130 i (N52 B30 BF)		Gasolina	RWD	2996	190	258	09.06-12.11		■	
130 i (N52 B30 A)	M technique	Gasolina	RWD	2996	195	265	09.05-02.07		■	
130 i (N52 B30 AF)	M technique	Gasolina	RWD	2996	195	265	09.05-02.07		■	

LISTA DE APLICACIONES - BUYERS GUIDE

130 i (N52 B30 BF)	M technique	Gasolina	RWD	2996	195	265	09.05-02.07	■	
130 i (N52 B30 A)	M technique	Gasolina	RWD	2996	195	265	09.06-12.11	■	
130 i (N52 B30 B)	M technique	Gasolina	RWD	2996	195	265	09.06-12.11	■	
130 i (N52 B30 BF)	M technique	Gasolina	RWD	2996	195	265	09.06-12.11	■	
123 d (N47 D20 B)	M technique	Diesel	RWD	1995	150	204	03.07-06.11	■	
123 d (N47 D20 D)	M technique	Diesel	RWD	1995	150	204	03.07-06.11	■	
123 d (N47 D20 B)	M technique	Diesel	RWD	1995	150	204	03.07-12.11	■	
123 d (N47 D20 D)	M technique	Diesel	RWD	1995	150	204	03.07-12.11	■	
3 Serie V (E93) 05.06-12.13							Convertible (Compact executive car-D Segment)		
320i (N46 B20 B)		Gasolina	RWD	1995	115	156	01.07-08.13	■	
320i (N43 B20 A)		Gasolina	RWD	1995	120	163	09.06-10.13	■	
320i (N43 B20 A)		Gasolina	RWD	1995	125	170	03.07-10.13	■	
323 i (N52 B25 A)	Performance brakes, discØ 324	Gasolina	RWD	2497	140	190	03.07-09.11	■	
325i (N52 B25 A)		Gasolina	RWD	2497	160	218	12.06-02.10	■	
325i (N53 B30 A)		Gasolina	RWD	2996	155	211	10.06-12.13	■	
325i (N53 B30 A)		Gasolina	RWD	2996	160	218	03.07-12.13	■	
330i (N52 B30 A)		Gasolina	RWD	2996	190	258	03.10-10.13	■	
330i (N52 B30 AF)		Gasolina	RWD	2996	190	258	03.10-10.13	■	
330i (N53 B30 A)		Gasolina	RWD	2996	200	272	03.07-10.13	■	
330i (N52 B30 A)		Gasolina	RWD	2996	200	272	03.07-02.10	■	
320 d (N47 D20 C)		Diesel	RWD	1995	120	163	01.08-12.13	■	
320 d (N47 D20 A)	-12/09	Diesel	RWD	1995	130	177	03.08-02.10	■	
320 d (N47 D20 C)	-12/09	Diesel	RWD	1995	130	177	03.08-02.10	■	
320 d (N47 D20 A)		Diesel	RWD	1995	145	197	09.07-02.10	■	
320 d (N47 D20 C)		Diesel	RWD	1995	145	197	09.07-02.10	■	
325 d (M57 D30 (306D3))		Diesel	RWD	2993	145	197	03.07-12.10	■	
325 d (N57 D30 A)	M technique	Diesel	RWD	2993	150	204	09.09-09.13	■	
325 d (M57 D30 (306D3))		Diesel	RWD	2993	155	211	03.07-12.10	■	
330 d (M57 D30 (306D3))		Diesel	RWD	2993	170	231	03.07-12.13	■	
330 d (N57 D30 A)		Diesel	RWD	2993	180	245	01.09-09.13	■	
3 Serie V (E92) 01.05-12.13							Coupe (Compact executive car-D Segment)		
330i (N52 B30 A)		Gasolina	RWD	2996	190	258	03.10-06.13	■	
330i (N52 B30 A)		Gasolina	RWD	2996	200	272	09.06-02.10	■	
330i (N52 B30 AF)		Gasolina	RWD	2996	200	272	09.06-02.10	■	
330i (N52 B30 BF)		Gasolina	RWD	2996	200	272	09.06-02.10	■	
330i (N53 B30 A)		Gasolina	RWD	2996	200	272	09.07-06.13	■	
325 d (M57 D30 (306D3))		Diesel	RWD	2993	145	197	02.07-02.10	■	
325 d (N57 D30 A)	M technique	Diesel	RWD	2993	150	204	09.09-06.13	■	
325 d (M57 D30 (306D3))		Diesel	RWD	2993	155	211	02.07-02.10	■	
330 d (N57 D30 A)		Diesel	RWD	2993	180	245	01.09-06.13	■	
3 Serie V (E90) 02.04-12.13							Saloon (Compact executive car-D Segment)		
330i (N52 B30 A)		Gasolina	RWD	2996	190	258	12.04-10.11	■	
330i (N52 B30 BF)		Gasolina	RWD	2996	190	258	12.04-10.11	■	
330i (N53 B30 A)		Gasolina	RWD	2996	200	272	09.07-10.11	■	
330i (N52 B30 A)		Gasolina	RWD	2996	200	272	03.07-12.11	■	
330i (N52 B30 BF)		Gasolina	RWD	2996	200	272	03.07-12.11	■	
325 d (M57 D30 (306D3))	M technique	Diesel	RWD	2993	145	197	09.06-02.10	■	
325 d (N57 D30 A)	M technique	Diesel	RWD	2993	150	204	03.10-10.11	■	
330 d (M57 D30 (306D3))		Diesel	RWD	2993	155	211	09.05-12.11	■	

LISTA DE APLICACIONES - BUYERS GUIDE

330 d (N57 D30 A)		Diesel	RWD	2993	155	211	09.05-12.11	■
330 d (M57 D30 (306D3))	not government vehic, M technique	Diesel	RWD	2993	170	231	09.05-09.08	■
330 d (N57 D30 A)	M technique	Diesel	RWD	2993	180	245	09.08-10.11	■
3 Serie V Touring (E91) 12.04-12.12					Estate (Compact executive car-D Segment)			
316 i (N43 B16 AA)		Gasolina	RWD	1599	90	122	09.08-06.12	■
318i (N46 B20 B)		Gasolina	RWD	1995	95	129	01.06-08.07	■
318i (N46 B20 B)		Gasolina	RWD	1995	100	136	09.07-03.12	■
318i		Gasolina	RWD	1995	100	136	05.07-05.12	■
318i (N43 B20 A)	-12/09	Gasolina	RWD	1995	105	143	05.07-05.12	■
320i (N46 B20 B)		Gasolina	RWD	1995	110	150	09.05-06.12	■
320i (N46 B20 C)		Gasolina	RWD	1995	110	150	09.05-06.12	■
320i (N46 B20 B)		Gasolina	RWD	1995	115	156	09.05-06.12	■
320i (N46 B20 BD)		Gasolina	RWD	1995	115	156	09.05-06.12	■
320i (N46 B20 C)		Gasolina	RWD	1995	115	156	09.05-06.12	■
320i (N43 B20 A)		Gasolina	RWD	1995	120	163	02.07-05.12	■
320i (N43 B20 A)	-12/09	Gasolina	RWD	1995	125	170	02.07-12.12	■
323 i (N52 B25 A)		Gasolina	RWD	2497	130	177	04.06-06.07	■
323 i (N52 B25 A)	discØ 324, Performance brakes	Gasolina	RWD	2497	140	190	09.06-07.08	■
325i (N52 B25 A)		Gasolina	RWD	2497	155	211	12.04-12.10	■
325i (N52 B25 AF)		Gasolina	RWD	2497	155	211	12.04-12.10	■
325i (N52 B25 B)		Gasolina	RWD	2497	155	211	12.04-12.10	■
325i (N52 B25 BF)		Gasolina	RWD	2497	155	211	12.04-12.10	■
325i (N52 B25 A)	M technique	Gasolina	RWD	2497	160	218	12.04-08.08	■
325i (N53 B30 A)		Gasolina	RWD	2996	155	211	09.07-06.12	■
325i (N53 B30 A)	M technique	Gasolina	RWD	2996	160	218	09.07-06.12	■
330i (N52 B30 A)		Gasolina	RWD	2996	190	258	08.05-08.07	■
330i (N53 B30 A)		Gasolina	RWD	2996	200	272	09.07-06.12	■
330i		Gasolina	RWD	2996	200	272	03.07-06.12	■
318 d (M47 D20 (204D4))		Diesel	RWD	1995	90	122	09.05-08.07	■
318 d (N47 D20 A)		Diesel	RWD	1995	100	136	07.07-06.12	■
318 d (N47 D20 C)		Diesel	RWD	1995	100	136	07.07-06.12	■
318 d (N47 D20 A)	-12/09	Diesel	RWD	1995	105	143	09.07-06.12	■
318 d (N47 D20 C)	-12/09	Diesel	RWD	1995	105	143	09.07-06.12	■
320 d (M47 D20 (204D4))		Diesel	RWD	1995	110	150	12.04-08.07	■
320 d (M47 D20 (204D4))		Diesel	RWD	1995	120	163	06.05-06.12	■
320 d (N47 D20 A)		Diesel	RWD	1995	120	163	06.05-06.12	■
320 d (N47 D20 C)		Diesel	RWD	1995	120	163	06.05-06.12	■
320 d (N47 D20 A)	-12/09	Diesel	RWD	1995	130	177	02.07-12.10	■
320 d (N47 D20 C)	-12/09	Diesel	RWD	1995	130	177	02.07-12.10	■
320 d (N47 D20 C)		Diesel	RWD	1995	135	184	03.10-05.12	■
320 d (N47 D20 A)		Diesel	RWD	1995	145	197	02.07-02.10	■
320 d (N47 D20 C)		Diesel	RWD	1995	145	197	02.07-02.10	■
320 d (N47 D20 C)		Diesel	RWD	1995	147	200	03.10-05.12	■
325 d (M57 D30 (306D3))	M technique	Diesel	RWD	2993	145	197	09.06-06.12	■
325 d (N57 D30 A)	M technique	Diesel	RWD	2993	150	204	02.10-06.12	■
330 d (M57 D30 (306D3))		Diesel	RWD	2993	155	211	06.05-05.12	■
330 d (N57 D30 A)		Diesel	RWD	2993	155	211	06.05-05.12	■
330 d (N57 D30 A)		Diesel	RWD	2993	180	245	02.08-05.12	■