

# LISTA DE APLICACIONES - BUYERS GUIDE

## 181969

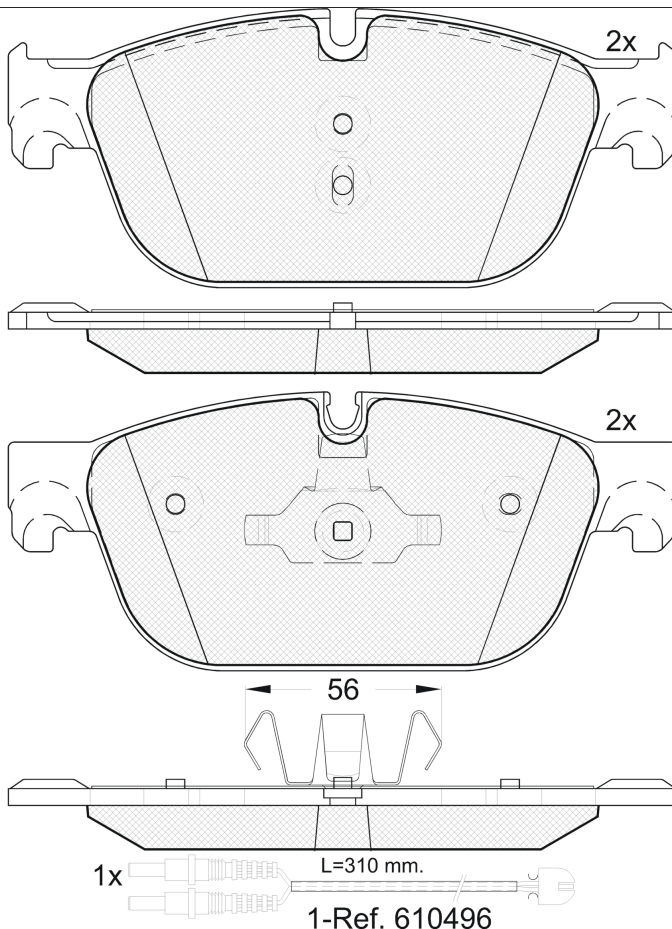


8 424073 102416

Qty: 300

Weight: 2.500

O.E.M.	MAKE
16 101 040 80	PEUGEOT
16 118 393 80	CITROËN
16 127 392 80	CITROËN
16 172 725 80	PEUGEOT
4254.73	PEUGEOT
86 60 003 506	RENAULT
86 60 004 553	RENAULT



## 181969

**E 9** 90R-01111/2884



Ate - Teves

180x75x17

WVA	FMSI
25069	D1966-9191
25070	
MAKE	
CITROËN	
DS	
DS (CAPSA)	
PEUGEOT	



Trac.	CC	Kw	CV			Front / Rear
-------	----	----	----	--	--	--------------

### CITROËN

<b>C4 II (NC_) 02.09-</b>								<b>Hatchback (Compact car-C Segment)</b>	
1.6 THP 155 (5FV (EP6CDT))		Gasolina	FWD	1598	115	156	11.09-12.16		■
2.0 Flex		Gasolina	FWD	1997	103	140	11.09-		■
2.0 Flex		Gasolina	FWD	1997	111	151	11.09-		■
2.0 HDi / BlueHDi 150 (AHR (DW10FD))		Diesel	FWD	1997	110	150	11.09-		■
2.0 HDi / BlueHDi 150 (RHE (DW10CTED4))		Diesel	FWD	1997	110	150	11.09-		■
<b>C4 II (NC_) 01.13-</b>								<b>Saloon (Compact car-C Segment)</b>	
2.0 Flex		Gasolina	FWD	1997	111	151	08.13-		■
<b>C5 II (RW_) 02.08-</b>								<b>Estate (Large family car-D Segment)</b>	
2.0 HDi 180 (AHW (DW10FC))		Diesel	FWD	1997	133	181	03.15-05.17		■
2.2 HDi 200 (4HL (DW12C))		Diesel	FWD	2179	150	204	07.10-06.15		■
3.0 HDi 240 (RWX8CA) (DT20C)		Diesel	FWD	2992	177	241	04.09-10.14		■
<b>C5 II (RD_) 02.08-</b>								<b>Saloon (Large family car-D Segment)</b>	
2.0 HDi 180 (RDAHWT) (AHW (DW10FC))		Diesel	FWD	1997	133	181	03.15-05.17		■
2.2 HDi 200 (RD4HLA) (4HL (DW12C))		Diesel	FWD	2179	150	204	07.10-06.15		■
3.0 HDi 240 (RDX8CA) (DT20C)		Diesel	FWD	2992	177	241	04.09-10.14		■
<b>C6 (TD_) 09.05-</b>								<b>Saloon (Executive car-E Segment)</b>	
3.0 HDi (DT20C)		Diesel	FWD	2993	155	211	06.09-12.10		■
3.0 HDi (DT20C)	01/10-	Diesel	FWD	2993	177	241	04.09-12.12		■
<b>DS4 (NX_) 03.11-07.15</b>								<b>Hatchback (Compact car-C Segment)</b>	
1.6 THP200 (5FU (EP6DTX))		Gasolina	FWD	1598	147	200	04.11-07.15		■
2.0 HDi / BlueHDi 135 (AHS (DW10FD))	Rim 19	Diesel	FWD	1997	100	136	09.11-07.15		■

# LISTA DE APLICACIONES - BUYERS GUIDE

2.0 HDi / BlueHDi 135 (AHV (DW10FD))	Rim 19	Diesel	FWD	1997	100	136	09.11-07.15	■	
2.0 HDi / BlueHDi 135 (RHD (DW10CB))	Rim 19	Diesel	FWD	1997	100	136	09.11-07.15	■	
2.0 HDi / BlueHDi 135 (RHD (DW10CTED4))	Rim 19	Diesel	FWD	1997	100	136	09.11-07.15	■	
2.0 HDi 165 (RHH (DW10CTED4))		Diesel	FWD	1997	120	163	04.11-07.15	■	
2.0 BlueHDi 180 (AHW (DW10FC))		Diesel	FWD	1997	133	180	07.14-07.15	■	
<b>DS5 09.11-12.16</b>					<b>Hatchback (Compact executive car-D Segment)</b>				
1.6 THP 150 (5FE (EP6CDTMD))	discØ 340	Gasolina	FWD	1598	110	150	11.11-07.15	■	
1.6 THP 155 (5FV (EP6CDT))	Syst. Diam.Cubo 82, discØ 340	Gasolina	FWD	1598	115	156	11.11-07.15	■	
1.6 THP 165 (5FM (EP6CDTM))	discØ 340	Gasolina	FWD	1598	121	165	01.12-07.15	■	
1.6 THP 165 (5FM (EP6DT))	discØ 340	Gasolina	FWD	1598	121	165	01.12-07.15	■	
1.6 THP 165 (5GZ (EP6FDT))	discØ 340	Gasolina	FWD	1598	121	165	01.12-07.15	■	
1.6 THP200 (5FU (EP6DTX))	Syst. Diam.Cubo 82, discØ 340	Gasolina	FWD	1598	147	200	11.11-07.15	■	
1.6 THP 165 Hybrid (5GZ (EP6FDT))		Gasol./el éc.	FWD	1598	121	165	06.12-07.15	■	
2.0 HDi 135 Hybrid4	discØ 340	Gasol./el éc.	4WD	1997	100	136	12.11-	■	
2.0 HDi 165 Hybrid4 4x4 (RHC (DW10CTED4))	Syst. Diam.Cubo 82, discØ 340	Diesel/el éc.	4WD	1997	120	163	12.11-07.15	■	
2.0 HDi 200 Hybrid4 A las 4 ruedas		Diesel/el éc.	4WD	1997	147	200	12.11-07.15	■	
1.6 HDi 110 (9HR (DV6C))	Syst. Diam.Cubo 82, discØ 340	Diesel	FWD	1560	82	112	11.11-07.15	■	
1.6 HDi 115 (9HD (DV6C))		Diesel	FWD	1560	84	114	06.12-07.15	■	
1.6 HDi (BHX (DV6FC))		Diesel	FWD	1560	85	115	11.13-07.15	■	
1.6 BlueHDi 120 (BHZ (DV6FC))		Diesel	FWD	1560	88	120	07.14-07.15	■	
2.0 HDi 135 (RHD (DW10CB))		Diesel	FWD	1997	100	136	11.11-07.15	■	
2.0 BlueHDi 150 (AHX (DW10FD))		Diesel	FWD	1997	110	150	07.14-07.15	■	
2.0 HDi 165 (RHH (DW10CTED4))	Syst. Diam.Cubo 82, discØ 340	Diesel	FWD	1997	120	163	11.11-07.15	■	
2.0 BlueHDi 180 (AHW (DW10FC))		Diesel	FWD	1997	133	180	08.13-07.15	■	
<b>DS</b>									
<b>DS 4 / DS 4 CROSSBACK (NX_) 07.15-</b>					<b>Hatchback (Compact car-C Segment)</b>				
1.6 THP 210 (5GM (EP6FDTX))		Gasolina	FWD	1598	155	210	07.15-12.18	■	
1.6 BlueHDi 100 (BHY (DV6FD))		Diesel	FWD	1560	73	99	04.16-12.18	■	
2.0 BlueHDi 180 (AHW (DW10FC))	Rim 19	Diesel	FWD	1997	133	180	07.15-12.18	■	
<b>DS 5 (KF_) 01.15-12.18</b>					<b>Hatchback (Compact executive car-D Segment)</b>				
1.6 THP 165 (KF5GZT) (5GZ (EP6FDT))		Gasolina	FWD	1598	121	165	07.15-12.18	■	
1.6 THP 210 (5GM (EP6FDTX))		Gasolina	FWD	1598	155	210	04.15-12.18	■	
2.0 Hybrid4 4x4 (RHC (DW10CTED4))		Diesel/el éc.	4WD	1997	120	163	04.15-12.18	■	
Hybrid4 (RHC (DW10CTED4))		Diesel/el éc.	4WD	1997	147	200	04.15-12.18	■	
1.6 BlueHDi 115 (BHX (DV6C))		Diesel	FWD	1560	85	116	06.15-12.18	■	
1.6 BlueHDi 120 (BHZ (DV6FC))		Diesel	FWD	1560	88	120	06.15-12.18	■	
2.0 BlueHDi 135 (AHV (DW10FDD))		Diesel	FWD	1997	100	136	06.15-12.18	■	
2.0 BlueHDi 150 (AHR (DW10FD))		Diesel	FWD	1997	110	150	04.15-12.18	■	
2.0 BlueHDi 180 (AHW (DW10FC))	Rim 19	Diesel	FWD	1997	133	180	04.15-12.18	■	
<b>DS (CAPSA)</b>									
<b>DS 4S 01.16-</b>					<b>Hatchback ()</b>				
THP130		Gasolina	FWD	1199	100	136	04.16-	■	
THP180	discØ 340	Gasolina	FWD	1598	123	167	04.16-	■	
THP200	discØ 340	Gasolina	FWD	1751	150	204	04.16-	■	
<b>DS 5 09.13-</b>					<b>Hatchback ()</b>				
1.6 THP160 (5F06 10FJBZ (EP6CDTM))	discØ 340	Gasolina	FWD	1598	120	163	09.13-12.17	■	

# LISTA DE APLICACIONES - BUYERS GUIDE

1.6 THP160 (5G02 10UF01 (EP6FDTM))	discØ 340	Gasolina	FWD	1598	123	167	09.15-12.20	■
1.6 THP200 (5F03 (EP6CDTX))	discØ 340	Gasolina	FWD	1598	147	200	09.13-12.15	■
1.8 THP 200 (6G01 10UF51 (EP8FDT))	discØ 340	Gasolina	FWD	1751	150	204	09.15-12.20	■
<b>DS 5 LS 01.14-</b>								<b>Saloon ()</b>
1.6 THP160 (5F06 10FJBZ (EP6CDTM))	discØ 340	Gasolina	FWD	1598	120	163	03.14-	■
1.6 THP160 (5G02 10UF01 (EP6FDTM))	discØ 340	Gasolina	FWD	1598	123	167	04.16-	■
1.6 THP200 (5F03 (EP6CDTX))	discØ 340	Gasolina	FWD	1598	147	200	03.14-	■
1.8 THP 200 (6G01 10UF51 (EP8FDT))	discØ 340	Gasolina	FWD	1751	150	204	04.16-	■
1.8 VTi 140 (WFZ (EC8))	discØ 340	Gasolina	FWD	1813	102	139	01.14-12.15	■
<b>DS 6 09.14-</b>								<b>SUV ()</b>
1.6 THP200	discØ 340	Gasolina	FWD	1598	147	200	09.14-	■
1.8 THP 200	discØ 340	Gasolina	FWD	1751	150	204	09.15-	■
<b>PEUGEOT</b>								
<b>308 (4A_, 4C_) 09.07-</b>								<b>Hatchback (Compact car-C Segment)</b>
1.6 GTI (EP6CDTX)		Gasolina	FWD	1598	147	200	07.10-10.14	■
<b>308 CC (4B_) 02.09-</b>								<b>Convertible (Compact car-C Segment)</b>
1.6 THP (EP6CDTX)		Gasolina	FWD	1598	147	200	10.10-12.14	■
<b>407 (6C_) 10.05-</b>								<b>Coupe (Large family car-D Segment)</b>
3.0 V6 (XFV (ES9A))		Gasolina	FWD	2946	155	211	10.05-	■
3.0 HDi (DT20C)	-12/11	Diesel	FWD	2992	177	241	06.09-	■
<b>407 (6D_) 02.04-12.13</b>								<b>Saloon (Large family car-D Segment)</b>
3.0 (6DXFVJ) (XFV (ES9A))		Gasolina	FWD	2946	155	211	03.04-12.10	■
<b>407 SW (6E_, 6D_) 05.04-</b>								<b>Estate (Large family car-D Segment)</b>
3.0 (XFV (ES9A))		Gasolina	FWD	2946	155	211	05.04-12.10	■
<b>508 (8D_) 11.10-</b>								<b>Saloon (Large family car-D Segment)</b>
1.6 VTi (5FH (EP6C))	discØ 340	Gasolina	FWD	1598	85	116	11.10-12.18	■
1.6 VTi (5FS (EP6C))	discØ 340	Gasolina	FWD	1598	88	120	11.10-12.18	■
1.6 THP (5FN (EP6CDT))	discØ 340	Gasolina	FWD	1598	110	150	11.10-12.18	■
1.6 THP (5FV (EP6CDT))	discØ 340	Gasolina	FWD	1598	115	156	11.10-12.18	■
1.6 THP (5GZ (EP6FDT))	discØ 340	Gasolina	FWD	1598	120	163	01.12-12.18	■
1.6 THP (5GZ (EP6FDT))		Gasolina	FWD	1598	121	165	09.11-12.18	■
2.0 HDi Hybrid4 AWC (RHC (DW10CTED4))	discØ 340	Diesel/el éc.	4WD	1997	120	163	11.10-12.18	■
2.0 HDi Hybrid4 AWC (RHC (DW10CTED4))	discØ 340	Diesel/el éc.	4WD	1997	147	200	11.10-12.18	■
1.6 HDi (9HL (DV6C))	discØ 340	Diesel	FWD	1560	82	112	11.10-12.18	■
1.6 HDi (9HR (DV6C))	discØ 340	Diesel	FWD	1560	82	112	11.10-12.18	■
1.6 HDi (9HD (DV6CTED))	discØ 340	Diesel	FWD	1560	84	115	02.12-12.18	■
1.6 HDi (BHX (DV6FC))		Diesel	FWD	1560	85	116	09.14-12.18	■
1.6 BlueHDi 120 (BHZ (DV6FC))	discØ 340	Diesel	FWD	1560	88	120	03.14-12.18	■
2.0 HDi (RHR (DW10BTED4))	discØ 340	Diesel	FWD	1997	100	136	11.10-12.18	■
2.0 HDi (RHA (DW10CTED4))	discØ 340	Diesel	FWD	1997	103	140	11.10-12.18	■
2.0 HDi (RHF (DW10BTED4))	discØ 340	Diesel	FWD	1997	103	140	11.10-12.18	■
2.0 BlueHDi 150 (AHX (DW10FD))	discØ 340	Diesel	FWD	1997	110	150	04.14-12.18	■
2.0 HDi (RHH (DW10CTED4))	discØ 340	Diesel	FWD	1997	120	163	11.10-12.18	■
2.0 BlueHDi 180 (AHW (DW10FC))	discØ 340	Diesel	FWD	1997	133	180	04.14-12.18	■
2.2 HDi (4HL (DW12C))	discØ 340	Diesel	FWD	2179	150	204	11.10-12.18	■

# LISTA DE APLICACIONES - BUYERS GUIDE

					<b>Estate Van (Large family car-D Segment)</b>				
<b>508 SW (8E_) 11.11-</b>									
1.6 HDi (9HL (DV6C))		Diesel	FWD	1560	84	114	03.13-12.18	■	
2.0 HDi (RHF (DW10BTED4))		Diesel	FWD	1997	103	140	03.13-12.18	■	
2.0 HDi (RHH (DW10CTED4))		Diesel	FWD	1997	120	163	03.13-12.18	■	
2.2 HDi (4HL (DW12C))		Diesel	FWD	2179	150	204	11.11-	■	
<b>508 SW (8E_) 11.10-</b>					<b>Estate (Large family car-D Segment)</b>				
1.6 VTi (5FH (EP6C))	discØ 340	Gasolina	FWD	1598	85	116	11.10-12.18	■	
1.6 VTi (5FS (EP6C))	discØ 340	Gasolina	FWD	1598	88	120	11.10-12.18	■	
1.6 THP (5FE (EP6CDTM))	discØ 340	Gasolina	FWD	1598	110	150	11.10-12.18	■	
1.6 THP (5FN (EP6CDT))	discØ 340	Gasolina	FWD	1598	110	150	11.10-12.18	■	
1.6 THP (5FV (EP6CDT))	discØ 340	Gasolina	FWD	1598	115	156	11.10-12.18	■	
1.6 (5GZ (EP6FDT))	discØ 340	Gasolina	FWD	1598	121	165	02.12-12.18	■	
2.0 HDi RXH Hybrid4	discØ 340	Gasol./el éc.	4WD	1997	147	200	12.11-	■	
2.0 HDi RXH Hybrid4 (RHC (DW10CTED4))	discØ 340	Diesel/el éc.	4WD	1997	147	200	11.10-12.18	■	
1.6 HDi (9HL (DV6C))	discØ 340	Diesel	FWD	1560	82	112	11.10-12.18	■	
1.6 HDi (9HR (DV6C))	discØ 340	Diesel	FWD	1560	82	112	11.10-12.18	■	
1.6 HDi (9HL (DV6C))	discØ 340	Diesel	FWD	1560	84	115	02.12-12.18	■	
1.6 HDi (9HR (DV6C))	discØ 340	Diesel	FWD	1560	84	115	02.12-12.18	■	
1.6 HDi (BHX (DV6FC))		Diesel	FWD	1560	85	116	09.14-12.18	■	
1.6 BlueHDi 120 (BHZ (DV6FC))	discØ 340	Diesel	FWD	1560	88	120	03.14-12.18	■	
2.0 HDi (RHR (DW10BTED4))	discØ 340	Diesel	FWD	1997	100	136	11.10-12.18	■	
2.0 HDi (RHA (DW10CTED4))	discØ 340	Diesel	FWD	1997	103	140	11.10-12.18	■	
2.0 HDi (RHF (DW10BTED4))	discØ 340	Diesel	FWD	1997	103	140	11.10-12.18	■	
2.0 BlueHDi 150 (AHX (DW10FD))	discØ 340	Diesel	FWD	1997	110	150	04.14-12.18	■	
2.0 HDi (RHH (DW10CTED4))	discØ 340	Diesel	FWD	1997	120	163	11.10-12.18	■	
2.0 BlueHDi 180 (AHW (DW10FC))	discØ 340	Diesel	FWD	1997	133	180	04.14-12.18	■	
2.0 HDi 180 RXH	discØ 340	Diesel	FWD	1997	133	181	10.14-12.18	■	
2.2 HDi (4HL (DW12C))	discØ 340	Diesel	FWD	2179	150	204	11.10-12.18	■	
<b>RCZ 03.10-</b>					<b>Coupe (Compact car-C Segment)</b>				
1.6 16V (EP6CDTX)	discØ 340	Gasolina	FWD	1598	147	200	06.10-12.15	■	
2.0 HDi (RHH (DW10CTED4))	discØ 340	Diesel	FWD	1997	120	163	03.10-12.15	■	