

LISTA DE APLICACIONES - BUYERS GUIDE

181973

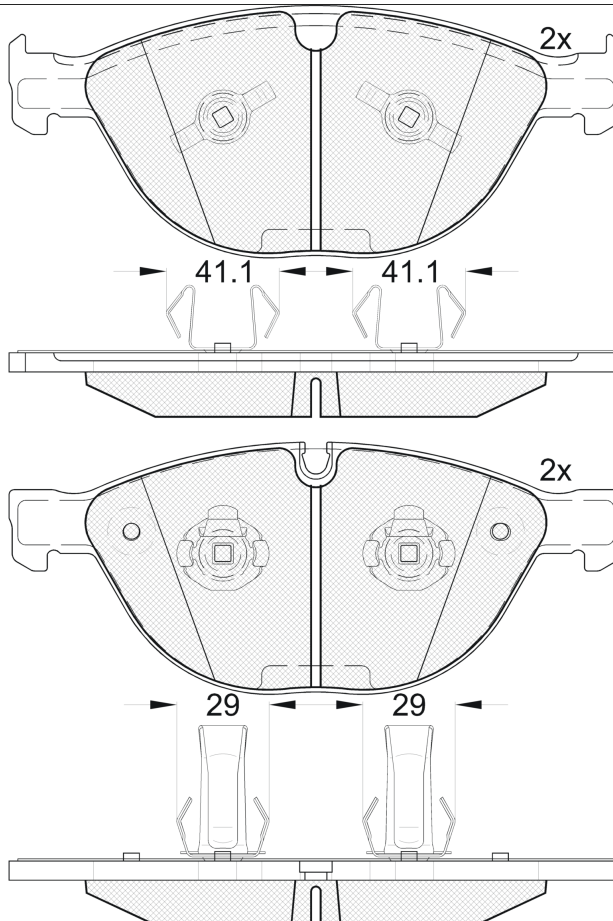


8 424073 102447

Qty: 300

Weight: 3.155

O.E.M.	MAKE
34 11 0 300 361-OE	ROLLS-ROYCE
34 11 2 284 065-OE	BMW
34 11 6 764 312-OE	BMW



181973

E 9 90R-01111/3068



Ate - Teves

193x79.3x20.8

WVA	FMSI
24328	D1151-8551
24329	
24330	
MAKE	
BMW	
JAGUAR	



Trac.	CC	Kw	CV
-------	----	----	----



Front / Rear

BMW

5 Serie V (E60) 12.01-03.10							Saloon (Executive car-E Segment)			
M5 (S85 B50 A)	01/08-	Gasolina	RWD	4999	373	507	09.04-12.09	■		
5 Serie V Touring (E61) 03.04-12.10							Estate (Executive car-E Segment)			
M5 (S85 B50 A)		Gasolina	RWD	4999	373	507	02.07-12.10	■		
6 Serie II (E64) 03.04-12.10							Convertible (Grand Tourer-S Segment)			
M6 (S85 B50 A)		Gasolina	RWD	4999	373	507	09.06-08.10	■		
6 Serie II (E63) 09.03-12.13							Coupe (Grand Tourer-S Segment)			
M (S85 B50 A)		Gasolina	RWD	4999	373	507	09.05-07.10	■		

JAGUAR

XK II (X150) 03.06-07.14							Convertible (Grand Tourer-S Segment)			
5.0 XKR (508PS)		Gasolina	RWD	5000	375	510	01.09-07.14	■		
5.0 XKR-S (508PS)		Gasolina	RWD	5000	405	550	01.11-07.14	■		
XK II (X150) 03.06-12.14							Coupe (Grand Tourer-S Segment)			
5.0 XKR (508PS)		Gasolina	RWD	5000	375	510	01.09-07.14	■		
5.0 XKR-S (508PS)		Gasolina	RWD	5000	405	550	01.11-07.14	■		