

LISTA DE APLICACIONES - BUYERS GUIDE

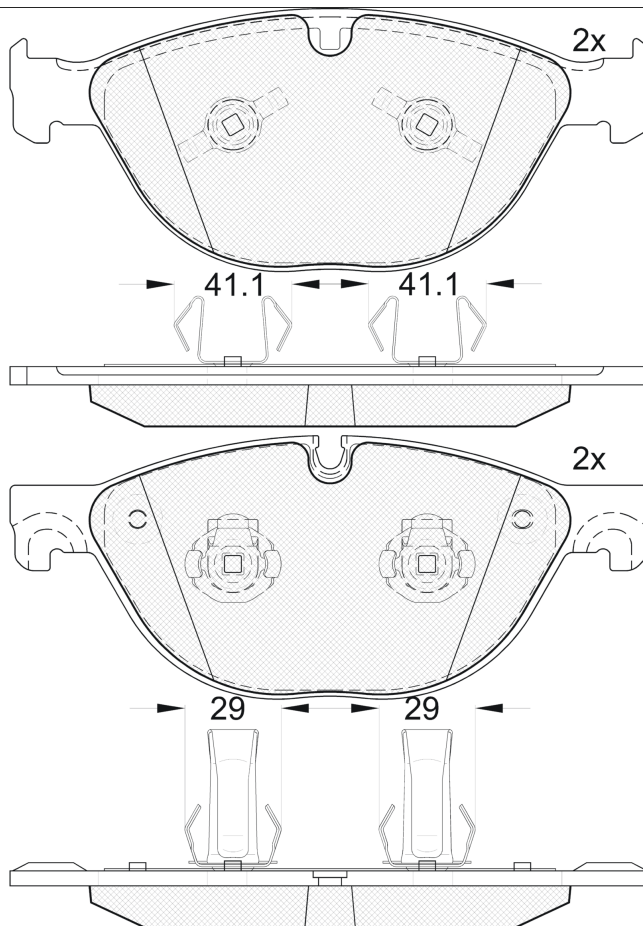
181980



8 424073 102584

Qty: 300

Weight: 2.885



181980

E 9 90R-01111/3064



Ate - Teves

192.9x79.4x18.7

193x79.3x18.7

O.E.M.	MAKE
C2D 3801	JAGUAR
C2P26236	JAGUAR
EX53-2K021-BA	JAGUAR
T2R22312	JAGUAR
T2R7248	JAGUAR

WVA	FMSI
24474	D1448-8616
24475	D1750-8616
MAKE	
JAGUAR	



Trac.	CC	Kw	CV
-------	----	----	----



Front / Rear

JAGUAR

F-TYPE (X152) 10.12-							Convertible (Sports car-S Segment)			
2.0 Ti4 (PT204)	discØ 380, Rim 19, not ceramic disc	Gasolina	RWD	1997	221	300	07.17-	■		
3.0 SCV6 (306PS)	discØ 380, Rim 19, not ceramic disc	Gasolina	RWD	2995	250	340	10.12-	■		
3.0 SCV6 AWD (306PS)	Rim 19, not ceramic disc	Gasolina	4WD	2995	250	340	08.17-	■		
3.0 SCV6 S (306PS)	discØ 380, Rim 19, not ceramic disc	Gasolina	RWD	2995	280	380	10.12-	■		
3.0 SCV6 S AWD (306PS)	Rim 19, not ceramic brakes, discØ 380, not ceramic disc	Gasolina	4WD	2995	280	380	12.14-	■		
SCV6 400 SPORT (306PS)	discØ 380, Rim 19, not ceramic disc	Gasolina	RWD	2995	294	400	11.16-	■		
SCV6 400 SPORT AWD (306PS)	discØ 380, Rim 19, not ceramic disc	Gasolina	4WD	2995	294	400	11.16-	■		
5.0 SCV8 P450 (AJ133G2)	discØ 380, Rim 19, not ceramic disc	Gasolina	RWD	5000	331	450	12.19-	■		
5.0 SCV8 P450 AWD (AJ133G2)	discØ 380, Rim 19, not ceramic disc	Gasolina	4WD	5000	331	450	12.19-	■		
5.0 SCV8 S (508PS)	Rim 19, discØ 380, not ceramic disc	Gasolina	RWD	5000	364	495	10.12-	■		
5.0 SCV8 R (508PS)	Rim 19, discØ 380, not ceramic disc	Gasolina	RWD	5000	405	551	10.13-	■		
5.0 SCV8 R AWD (508PS)	Rim 19, not ceramic brakes, discØ 380, not ceramic disc	Gasolina	4WD	5000	405	551	12.14-	■		
5.0 SCV8 SVR (508PS)	discØ 380, Rim 19, not ceramic disc	Gasolina	RWD	5000	423	575	05.15-	■		
5.0 SCV8 SVR / SCV8 P575 R AWD (508PS)	discØ 380, Rim 19, not ceramic disc	Gasolina	4WD	5000	423	575	12.15-	■		
5.0 SCV8 SVR / SCV8 P575 R AWD (AJ133G2)	discØ 380, Rim 19, not ceramic disc	Gasolina	4WD	5000	423	575	12.15-	■		

LISTA DE APLICACIONES - BUYERS GUIDE

F-TYPE (X152) 09.13-						Coupe (Sports car-S Segment)			
2.0 Ti4 (PT204)	discØ 380, Rim 19, not ceramic disc	Gasolina	RWD	1997	221	300	07.17-	■	
3.0 SCV6 (306PS)	discØ 380, Rim 19, not ceramic disc	Gasolina	RWD	2995	250	340	10.13-	■	
3.0 SCV6 AWD (306PS)	Rim 19, not ceramic disc	Gasolina	4WD	2995	250	340	08.17-	■	
3.0 SCV6 S (306PS)	Rim 19, discØ 380, not ceramic disc	Gasolina	RWD	2995	280	380	10.13-	■	
3.0 SCV6 S AWD (306PS)	Rim 19, not ceramic brakes, discØ 380, not ceramic disc	Gasolina	4WD	2995	280	380	12.14-	■	
3.0 SCV6 400 SPORT (306PS)	discØ 380, Rim 19, not ceramic disc	Gasolina	RWD	2995	294	400	11.16-	■	
3.0 SCV6 400 SPORT AWD (306PS)	discØ 380, Rim 19, not ceramic disc	Gasolina	4WD	2995	294	400	11.16-	■	
5.0 SCV8 P450 (AJ133G2)	discØ 380, Rim 19, not ceramic disc	Gasolina	RWD	5000	331	450	12.19-	■	
5.0 SCV8 P450 AWD (AJ133G2)	discØ 380, Rim 19, not ceramic disc	Gasolina	4WD	5000	331	450	12.19-	■	
5.0 SCV8 S (508PS)	Rim 19, not ceramic disc	Gasolina	RWD	5000	364	495	09.13-10.15	■	
5.0 SCV8 R (508PS)	Rim 19, discØ 380, not ceramic disc	Gasolina	RWD	5000	405	551	10.13-	■	
5.0 SCV8 R AWD (508PS)	Rim 19, not ceramic brakes, discØ 380, not ceramic disc	Gasolina	4WD	5000	405	551	12.14-	■	
5.0 SCV8 SVR / SCV8 P575 R AWD (508PS)	discØ 380, Rim 19, not ceramic disc	Gasolina	4WD	5000	423	575	12.15-	■	
5.0 SCV8 SVR / SCV8 P575 R AWD (AJ133G2)	discØ 380, Rim 19, not ceramic disc	Gasolina	4WD	5000	423	575	12.15-	■	
XF (X250) 03.08-04.15						Saloon (Luxury car-F Segment)			
4.2 Supercharged (SV8TS)	01/10-	Gasolina	RWD	4196	306	416	03.08-04.15	■	
4.2		Gasolina	FWD	4196	313	426	07.09-	■	
5.0 Supercharged (508PS)		Gasolina	RWD	5000	346	471	01.09-04.15	■	
5.0 Supercharged (508PS)	01/10-	Gasolina	RWD	5000	375	510	03.09-04.15	■	
5.0 Supercharged (508PS)		Gasolina	RWD	5000	380	517	01.13-04.15	■	
5.0 XFR-S (508PS)		Gasolina	RWD	5000	405	550	10.12-04.15	■	
2.2 D (224DT)		Diesel	RWD	2179	120	163	04.11-04.15	■	
XF II SPORTBRAKE (X250) 09.12-12.15						Estate (Luxury car-F Segment)			
5.0 XFR-S (508PS)		Gasolina	RWD	5000	405	550	02.13-04.14	■	
XJ (X351) 10.09-						Saloon (Luxury car-F Segment)			
5.0 V8 (508PN)	government vehicles	Gasolina	RWD	5000	283	385	10.09-12.19	■	
5.0 SCV8 (508PS)	01/10-	Gasolina	RWD	5000	346	471	10.09-12.19	■	
5.0 SCV8 (508PS)	01/10-	Gasolina	RWD	5000	375	510	10.09-12.19	■	
5.0 SCV8 (508PS)		Gasolina	RWD	5000	405	550	06.13-12.19	■	
5.0 SCV8 R575 (508PS)		Gasolina	RWD	5000	423	575	06.17-12.19	■	
XK II (X150) 03.06-07.14						Convertible (Grand Tourer-S Segment)			
5.0 XKR (508PS)	Performance brakes	Gasolina	RWD	5000	375	510	01.09-07.14	■	
5.0 XKR-S (508PS)	Performance brakes	Gasolina	RWD	5000	405	550	01.11-07.14	■	
XK II (X150) 03.06-12.14						Coupe (Grand Tourer-S Segment)			
5.0 XKR (508PS)	Performance brakes	Gasolina	RWD	5000	375	510	01.09-07.14	■	
5.0 XKR (508PS)		Gasolina	RWD	5000	390	530	09.10-07.14	■	
5.0 XKR-S (508PS)	Performance brakes	Gasolina	RWD	5000	405	550	01.11-07.14	■	