

# LISTA DE APLICACIONES - BUYERS GUIDE

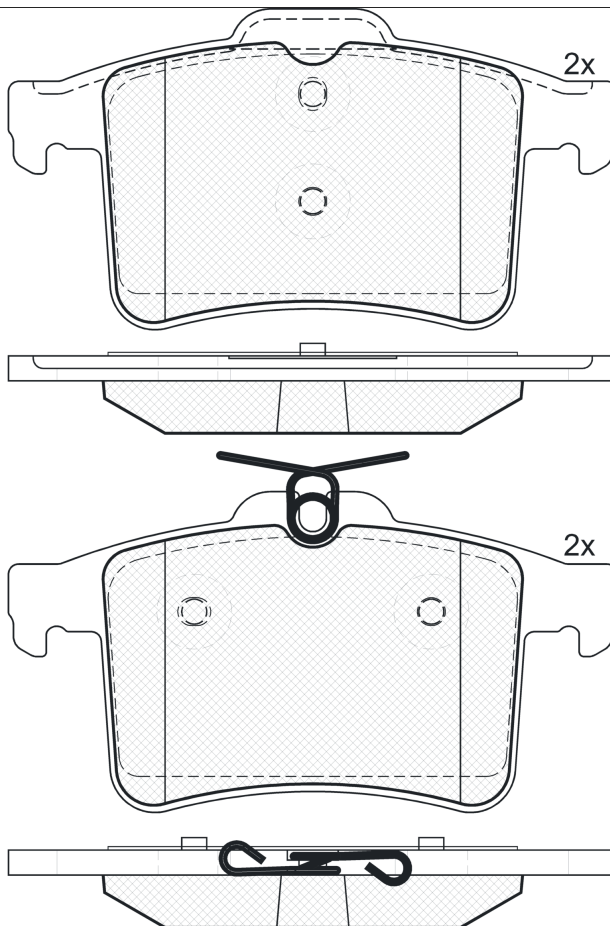
## 181981



Qty: 300

Weight: 1.280

O.E.M.	MAKE
C2D 3792	JAGUAR
C2D 60655	JAGUAR



## 181981

E 9 90R-01111/2818



Ate - Teves

122x64.3x16.2

WVA	FMSI
25114	D1449-8617
25115	
MAKE	
JAGUAR	



Trac.	CC	Kw	CV		
Front / Rear					

### JAGUAR

XF (X250) 03.08-04.15							Saloon (Luxury car-F Segment)		
4.2 Supercharged (SV8TS)	01/10-	Gasolina	RWD	4196	306	416	03.08-04.15	■	
4.2		Gasolina	FWD	4196	313	426	07.09-	■	
5.0 Supercharged (508PS)	ch. B32753-	Gasolina	RWD	5000	346	471	01.09-04.15	■	
5.0 Supercharged (508PS)	01/10-, ch. B32753-	Gasolina	RWD	5000	375	510	03.09-04.15	■	
5.0 Supercharged (508PS)		Gasolina	RWD	5000	380	517	01.13-04.15	■	
5.0 XFR-S (508PS)		Gasolina	RWD	5000	405	550	10.12-04.15	■	
XF II SPORTBRAKE (X250) 09.12-12.15							Estate (Luxury car-F Segment)		
5.0 XFR-S (508PS)		Gasolina	RWD	5000	405	550	02.13-04.14	■	
XJ (X351) 10.09-							Saloon (Luxury car-F Segment)		
5.0 V8 (508PN)		Gasolina	RWD	5000	283	385	10.09-12.19	■	
5.0 SCV8 (508PS)	01/10-	Gasolina	RWD	5000	346	471	10.09-12.19	■	
5.0 SCV8 (508PS)	01/10-, ch. B32753-	Gasolina	RWD	5000	375	510	10.09-12.19	■	
5.0 SCV8 (508PS)		Gasolina	RWD	5000	405	550	06.13-12.19	■	
5.0 SCV8 R575 (508PS)		Gasolina	RWD	5000	423	575	06.17-12.19	■	
XK II (X150) 03.06-07.14							Convertible (Grand Tourer-S Segment)		
5.0 XKR (508PS)	ch. B32753-	Gasolina	RWD	5000	375	510	01.09-07.14	■	
5.0 XKR-S (508PS)	-ch B32752, ch. B32753-	Gasolina	RWD	5000	405	550	01.11-07.14	■	
XK II (X150) 03.06-12.14							Coupe (Grand Tourer-S Segment)		
5.0 XKR (508PS)	ch. B32753-	Gasolina	RWD	5000	375	510	01.09-07.14	■	
5.0 XKR (508PS)	-ch B32752	Gasolina	RWD	5000	390	530	09.10-07.14	■	
5.0 XKR-S (508PS)	-ch B32752, ch. B32753-	Gasolina	RWD	5000	405	550	01.11-07.14	■	

# LISTA DE APLICACIONES - BUYERS GUIDE