

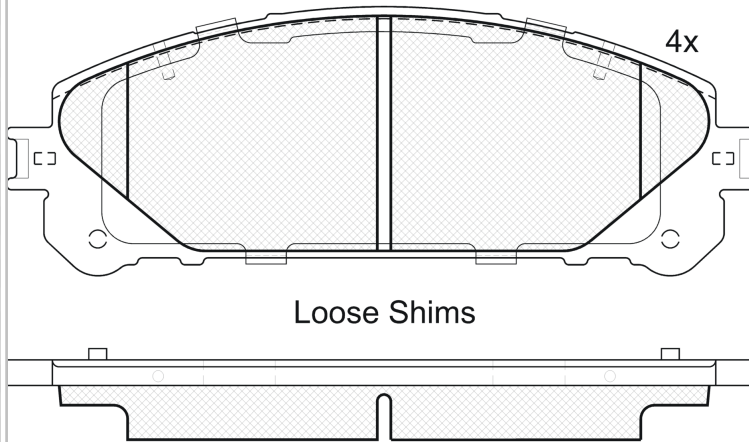
# LISTA DE APLICACIONES - BUYERS GUIDE

## 181982



Qty: 300      Weight: 2.025

O.E.M.	MAKE
04465-02500	LEXUS
04465-02560	TOYOTA
04465-0E010	LEXUS
04465-0E020	TOYOTA
04465-0E030	TOYOTA
04465-0E040	LEXUS
04465-33490	LEXUS
04465-33500	TOYOTA
04465-48150	LEXUS
04465-4815079	LEXUS
04465-48160	LEXUS
04465-48170	LEXUS
04465-48180	TOYOTA
04465-48190	LEXUS
04465-48210	LEXUS
04465-48220	TOYOTA
04465-48230	TOYOTA
04465-78010	LEXUS
04465-78010-79	LEXUS
04465-WY020	TOYOTA
4465-48150	TOYOTA
4465-48160	TOYOTA
4465-48170	TOYOTA



## 181982

E 9 90R-01111/2628



Advics

166.7x59.4x18.2

WVA	FMSI
24452	D1324-8436 D1324-9108
MAKE	
LEXUS	
TOYOTA	
TOYOTA (FAW)	
TOYOTA (GAC)	



Trac.	CC	Kw	CV
-------	----	----	----



Front / Rear

### LEXUS

ES VI ( _V6_ ) 06.12-						Saloon (Executive car-E Segment)			
200 (ASV61_)		Gasolina	FWD	1998	123	167	08.15-06.18	■	
250 (AV60_) (2AR-FE)		Gasolina	FWD	2494	133	181	06.12-06.18	■	
250 (AVV60_, ASV60_) (2AR-FE)		Gasolina	FWD	2494	135	184	06.12-06.18	■	
350 (GSV60_) (2GR-FE)		Gasolina	FWD	3456	183	249	06.12-06.18	■	
350 (GSV60_, GSV60R) (2GR-FE)		Gasolina	FWD	3456	204	277	06.12-06.18	■	
350 4WD (GSV60_)		Gasolina	4WD	3456	204	277	06.12-06.18	■	
300h (ASV60_, AVV60_, AVV60R) (2AR-FXE)		Gasol./el éc.	FWD	2494	151	205	06.12-06.18	■	
ES VII ( _Z10_, _A10_, _H10_ ) 07.18-						Saloon (Executive car-E Segment)			
200 (ASZ10) (6AR-FSE)		Gasolina	FWD	1998	110	150	10.18-	■	
250 (AXZA10) (A25A-FKS)		Gasolina	FWD	2487	147	200	10.18-	■	
350 (GSZ10) (2GR-FKS)		Gasolina	FWD	3456	183	249	10.18-	■	
300h (AXZH10, AXZH11) (A25A-FXS)		Gasol./el éc.	FWD	2487	131	178	07.18-	■	
300h (AXZH10, AXZH11) (A25B-FXS)		Gasol./el éc.	FWD	2487	131	178	07.18-	■	
300h (AXZH10, AXZH11)		Gasol./el éc.	FWD	2487	160	218	07.18-	■	
LM ( _H3_ ) 02.20-						MPV (Luxury car-F Segment)			
350 (GGH31)		Gasolina	FWD	3456	221	300	06.20-	■	
300h AWD (AYH36)		Gasol./el éc.	4WD	2494	83	117	02.20-	■	
300h E-Four (AYH36)		Gasol./el éc.	4WD	2494	112	152	03.20-	■	
300h A las 4 ruedas (AYH36)		Gasol./el éc.	4WD	2494	120	163	02.20-	■	

# LISTA DE APLICACIONES - BUYERS GUIDE

300h E-Four (AYH36)		Gasol./el éc.	4WD	2494	145	197	03.20-	■	
<b>NX ( _Z1_ ) 07.14-</b>					<b>SUV (Luxury Crossover SUV-J Segment)</b>				
200 (ZGZ10_, AYZ10_, AGZ10) (3ZR-FAE)		Gasolina	FWD	1987	110	150	11.14-	■	
200 AWD (ZGZ15_, AYZ15_, AGZ15_) (3ZR-FAE)		Gasolina	4WD	1987	110	150	11.14-	■	
200t (AGZ10_, AGZ10R) (8AR-FTS)		Gasolina	FWD	1998	175	238	07.14-	■	
200t AWD (AGZ15_, AGZ15R) (8AR-FTS)		Gasolina	4WD	1998	175	238	07.14-	■	
300 (AGZ10_, AGZ10R) (8AR-FTS)		Gasolina	FWD	1998	175	238	09.17-	■	
300 AWD (AGZ15_, AGZ15R) (8AR-FTS)		Gasolina	4WD	1998	175	238	09.17-	■	
300h (AYZ10_, AYZ10R) (2AR-FXE)		Gasol./el éc.	FWD	2493	145	197	07.14-	■	
300h AWD (AYZ15_, AYZ15R) (2AR-FXE)		Gasol./el éc.	4WD	2493	145	197	07.14-	■	
300h (AYZ10_) (2AR-FXE)		Gasol./el éc.	FWD	2494	114	155	07.14-	■	
300h AWD (AYZ15_) (2AR-FXE)		Gasol./el éc.	4WD	2494	114	155	07.14-	■	
300h (AYZ10_, AYZ10R)		Gasol./el éc.	FWD	2494	145	197	11.14-	■	
300h AWD (AYZ15, AYZ15_, AYZ15R) (2AR-FXE)		Gasol./el éc.	4WD	2494	145	197	07.14-	■	
300h AWD (AYZ15) (2AR-FXE)		Gasol./el éc.	4WD	2494	147	200	11.18-	■	
<b>NX II ( _A2_, _H2_ ) 09.21-</b>					<b>SUV (Luxury Crossover SUV-J Segment)</b>				
350h (AAZH20)		Gasol./el éc.	FWD	2487	140	190	09.21-	■	
350h E-Four (AAZH25)		Gasol./el éc.	4WD	2487	140	190	09.21-	■	
350h (AAZH20)		Gasol./el éc.	FWD	2487	179	243	09.21-	■	
350h (AAZH20)		Gasol./el éc.	FWD	2487	179	243	11.21-	■	
350h (AAZH20)		Gasol./el éc.	FWD	2487	179	243	09.23-	■	
350h E-Four (AAZH25)		Gasol./el éc.	4WD	2487	179	243	09.21-	■	
350h E-Four (AAZH25)		Gasol./el éc.	4WD	2487	179	243	11.21-	■	
350h E-Four (AAZH25)		Gasol./el éc.	4WD	2487	179	243	09.23-	■	
<b>RX III ( _L1_ ) 12.08-12.15</b>					<b>SUV (Luxury Crossover SUV-J Segment)</b>				
270 (AGL10_, AGL10R) (1AR-FE)	01/09-	Gasolina	FWD	2672	138	188	12.08-10.15	■	
350		Gasolina	FWD	3456	202	275	01.09-10.15	■	
350 (GGL10_, GGL10W) (2GR-FE)		Gasolina	FWD	3456	202	275	01.09-09.15	■	
350 AWD (GGL15_, GGL15R) (2GR-FE)	01/09-	Gasolina	4WD	3456	204	277	12.08-08.15	■	
350 AWD (GGL15_, GGL15R) (2GR-FXE)	01/09-	Gasolina	4WD	3456	204	277	12.08-08.15	■	
350 (GYL10_, GYL10R) (2GR-FXE)	01/09-	Gasolina	FWD	3456	206	280	12.08-10.15	■	
350 AWD (GGL15_) (2GR-FE)		Gasolina	4WD	3456	206	280	03.09-02.12	■	
450h (GYL10_) (2GR-FXE)	01/09-	Gasol./el éc.	FWD	3456	183	249	12.08-10.15	■	
450h AWD (GYL15_) (2GR-FXE)	01/09-	Gasol./el éc.	4WD	3456	183	249	12.08-10.15	■	
450h		Gasol./el éc.	4WD	3456	220	299	09.09-12.13	■	
450h (GYL10, GYL10_, GYL10R)		Gasol./el éc.	FWD	3456	220	299	03.09-09.15	■	
450h (GYL10_)		Gasol./el éc.	FWD	3456	220	299	12.08-10.15	■	
450h AWD (GYL15, GYL15_, GYL15R, GYL16W)		Gasol./el éc.	4WD	3456	220	299	03.09-09.15	■	
450h AWD (GYL15_)		Gasol./el éc.	4WD	3456	220	299	12.08-10.15	■	

# LISTA DE APLICACIONES - BUYERS GUIDE

<b>RX IV ( L2 ) 10.15-</b>						<b>SUV (Luxury Crossover SUV-J Segment)</b>			
200t (AGL20R, AGL20_) (8AR-FTS)		Gasolina	FWD	1998	175	238	10.15-12.17	■	
200t AWD (AGL25_) (8AR-FTS)		Gasolina	4WD	1998	175	238	10.15-12.17	■	
300 (AGL20_, AGL20R) (8AR-FTS)		Gasolina	FWD	1998	175	238	12.17-	■	
300 AWD (AGL25_, AGL25R) (8AR-FTS)		Gasolina	4WD	1998	175	238	12.17-	■	
350 4WD (GGL25, GGL26) (2GR-FKS)		Gasolina	4WD	3456	216	294	10.15-	■	
350 4WD (GGL25_) (2GR-FKS)		Gasolina	4WD	3456	218	296	10.15-	■	
350		Gasolina	FWD	3456	220	299	10.15-	■	
350 4WD (GGL25_, GGL26_, GGL25R, GGL26R) (2GR-FKS)		Gasolina	4WD	3456	221	300	10.15-	■	
450h AWD (GYL25_, GYL25, GYL26) (2GR-FXS)	Russia	Gasol./el éc.	4WD	3456	193	262	11.15-	■	
450h		Gasol./el éc.	FWD	3456	230	313	11.15-	■	
450h (GYL20_, GYL20W) (2GR-FXS)		Gasol./el éc.	FWD	3456	230	313	10.15-	■	
450h AWD (GYL25_, GYL26_, GYL25, GYL26, GYL25R, GYL26R) (2GR-FXS)		Gasol./el éc.	4WD	3456	230	313	11.15-	■	
<b>TOYOTA</b>									
<b>ALPHARD II ( H2 ) 04.08-12.15</b>						<b>MPV (Large MPV-M1 Segment)</b>			
2.4 (ANH20W) (2AZ-FE)	Caliper (2 pistons)	Gasolina	FWD	2362	123	167	04.08-12.14	■	
2.4 (ANH20W, ANH20) (2AZ-FE)	Caliper (2 pistons)	Gasolina	FWD	2362	125	170	05.08-12.14	■	
3.5 (GGH20W) (2GR-FE)	Caliper (2 pistons)	Gasolina	FWD	3456	202	275	04.08-12.14	■	
3.5 (GGH20W, GGH20) (2GR-FE)	Caliper (2 pistons)	Gasolina	FWD	3456	206	280	04.08-12.14	■	
<b>ALPHARD III / VELLFIRE ( H3 ) 02.15-</b>						<b>MPV (Large MPV-M1 Segment)</b>			
3.5 (GGH30W, GGH30) (2GR-FE)		Gasolina	FWD	3456	202	275	02.15-	■	
3.5 (GGH30, GGH30W) (2GR-FKS)		Gasolina	FWD	3456	221	300	10.18-12.23	■	
<b>AVALON V ( X5 ) 04.18-</b>						<b>Saloon (Luxury car-F Segment)</b>			
3.5 (GSX50_) (2GR-FKS)		Gasolina	FWD	3456	218	296	04.18-	■	
<b>CAMRY ( V7_, VA7_, VH7 ) 06.17-</b>						<b>Saloon (Executive car-E Segment)</b>			
2.5 Hybrid (AXVH71_) (A25A-FXS)	Eq.V_ D	Gasol./el éc.	FWD	2487	129	176	12.17-	■	
2.5 Hybrid (AXVH71) (A25A-FKS)		Gasol./el éc.	FWD	2487	153	208	12.17-	■	
2.5 Hybrid (AXVH71_, AXVH70, AXVH71R) (A25A-FXS)		Gasol./el éc.	FWD	2487	160	218	08.17-	■	
<b>HIGHLANDER III / KLUGER ( U5 ) 12.13-</b>						<b>SUV (Large MPV-M1 Segment)</b>			
2.7 (ASU50) (1AR-FE)		Gasolina	FWD	2672	138	188	09.16-11.19	■	
2.7 AWD (ASU50) (1AR-FE)		Gasolina	4WD	2672	138	188	09.16-	■	
3.5 AWD (GSU55_) (2GR-FE)		Gasolina	4WD	3456	183	249	09.14-11.16	■	
3.5 (GSU50R, GXU50)	01/16-	Gasolina	FWD	3456	201	273	12.13-11.16	■	
3.5 AWD (GSU55R)		Gasolina	4WD	3456	201	273	03.14-10.16	■	
3.5 Hybrid AWD (GVU58_)		Gasol./el éc.	4WD	3456	209	284	12.13-12.16	■	
<b>HIGHLANDER II / KLUGER ( U4 ) 05.07-</b>						<b>SUV (Large MPV-M1 Segment)</b>			
2.7 (ASU40_) (1AR-FE)		Gasolina	FWD	2672	139	189	09.08-02.14	■	
2.7 4WD (GSU40_)		Gasolina	4WD	2672	139	189	09.08-02.14	■	
2.7 (ASU40_)		Gasolina	FWD	2672	140	190	05.07-	■	
2.7 4WD (ASU40_)		Gasolina	4WD	2672	140	190	05.07-	■	
3.5 (GSU40_, GSU40R) (2GR-FE)		Gasolina	FWD	3456	201	273	05.07-02.14	■	
3.5 4WD (GSU45_, GSU45R) (2GR-FE)		Gasolina	4WD	3456	201	273	06.07-02.14	■	
<b>RAV 4 V ( A5_, H5 ) 12.18-</b>						<b>SUV Van (Compact SUV-J Segment)</b>			
2.0 VVTi (MXAA52)		Gasolina	FWD	1987	129	175	12.18-	■	

# LISTA DE APLICACIONES - BUYERS GUIDE

2.0 VVTi AWD (MXAA54)		Gasolina	4WD	1987	129	175	12.18-	■	
2.5 Hybrid (AXAH52)		Gasol./el éc.	FWD	2487	160	218	12.18-	■	
2.5 Hybrid AWD (AXAH54)		Gasol./el éc.	4WD	2487	163	222	12.18-	■	
<b>RAV 4 V (_A5_, _H5_) 12.18-</b>					<b>SUV (Compact SUV-J Segment)</b>				
2.0 VVTi (MXAA52) (M20A-FKS)		Gasolina	FWD	1987	110	150	12.18-	■	
2.0 VVTi AWD (MXAA54) (M20A-FKS)		Gasolina	4WD	1987	110	150	12.18-	■	
2.0 VVTi (MXAA52) (M20A-FKS)		Gasolina	FWD	1987	127	173	12.18-	■	
2.0 VVTi AWD (MXAA54) (M20A-FKS)		Gasolina	4WD	1987	127	173	02.19-	■	
2.0 (MXAA52) (M20A-FKS)		Gasolina	FWD	1987	129	175	12.18-	■	
2.0 AWD (MXAA54) (M20A-FKS)		Gasolina	4WD	1987	129	175	12.18-	■	
2.5 VVTi (AXAA52) (A25A-FKS)		Gasolina	FWD	2487	149	203	12.18-	■	
2.5 VVTi AWD (AXAA54) (A25A-FKS)		Gasolina	4WD	2487	149	203	12.18-	■	
2.5 VVTi AWD (AXAA54) (A25A-FKS)		Gasolina	4WD	2487	152	207	12.18-	■	
2.5 Hybrid AWD (AXAH54) (A25A-FXS)		Gasol./el éc.	4WD	2487	131	178	12.18-	■	
2.5 Hybrid (AXAH52) (A25A-FXS)		Gasol./el éc.	FWD	2487	160	218	12.18-	■	
2.5 Hybrid AWD (AXAH54, AXAL54) (A25A-FXS)		Gasol./el éc.	4WD	2487	163	222	12.18-	■	
<b>RAV4 IV (_A4_) 12.12-</b>					<b>SUV Van (Compact SUV-J Segment)</b>				
2.0 VVTi 4WD (ZSA44)	Rim 17	Gasolina	4WD	1987	111	151	12.12-11.18	■	
2.0 VVTi 4WD (ZSA44)	Rim 17	Gasolina	4WD	1987	112	152	12.12-11.18	■	
2.0 D4d (WWA42)	Rim 17	Diesel	FWD	1995	105	143	10.15-11.18	■	
2.0 D4d (ALA40)	Rim 17	Diesel	FWD	1998	91	124	12.12-11.18	■	
D4d 4WD (ALA41)	Rim 17	Diesel	4WD	1998	91	124	11.13-11.18	■	
2.2 D4d 4WD (ALA49)	Rim 17	Diesel	4WD	2231	110	150	12.12-11.18	■	
<b>RAV4 IV (_A4_) 12.12-</b>					<b>SUV (Compact SUV-J Segment)</b>				
2.0 (ZSA42) (3ZR-FE)	Rim 17	Gasolina	FWD	1987	105	143	12.12-09.19	■	
2.0 (ZSA42) (3ZR-FE)	Rim 17	Gasolina	FWD	1987	107	146	12.12-09.19	■	
2.0 4WD (ZSA44) (3ZR-FE)	Rim 17	Gasolina	4WD	1987	107	146	12.12-09.19	■	
2.0 4WD (ZSA44_, ZSA44R) (3ZR-FAE)	Rim 17	Gasolina	4WD	1987	111	151	12.12-10.18	■	
2.0 4WD (ZSA44_) (3ZR-FAE)	Rim 17	Gasolina	4WD	1987	112	151	04.15-10.18	■	
2.5 (ASA42) (2AR-FE)	Rim 17	Gasolina	FWD	2494	131	178	01.13-12.18	■	
2.5 4WD (ASA44) (2AR-FE)	Rim 17	Gasolina	4WD	2494	131	178	12.12-12.18	■	
2.5 (ASA42) (2AR-FE)	Rim 17	Gasolina	FWD	2494	132	180	12.12-11.18	■	
2.5 Hybrid (AVA42_) (2AR-FXE)	Rim 17	Gasol./el éc.	FWD	2494	114	155	10.15-11.18	■	
2.5 Hybrid 4WD (AVA44_) (2AR-FXE)	Rim 17	Gasol./el éc.	4WD	2494	114	155	10.15-12.18	■	
2.5 Hybrid (AVA42_) (2AR-FXE)	Rim 17	Gasol./el éc.	FWD	2494	145	197	11.15-11.18	■	
2.5 Hybrid 4WD (AVA44, AVA44_) (2AR-FXE)	Rim 17	Gasol./el éc.	4WD	2494	145	197	11.15-11.18	■	
2.0 D (WWA42_) (2WW)	Rim 17	Diesel	FWD	1995	105	143	10.15-11.18	■	
2.0 D (ALA40_, ALA40R) (1AD-FTV)	Rim 17	Diesel	FWD	1998	91	124	12.12-11.18	■	
2.0 D 4WD (ALA41_) (1AD-FTV)	Rim 17	Diesel	4WD	1998	91	124	01.13-11.18	■	
2.2 D 4WD (ALA49) (2AD-FHV)		Diesel	4WD	2231	110	150	12.12-09.19	■	
2.2 D 4WD (ALA49) (2AD-FTV)		Diesel	4WD	2231	110	150	12.12-09.19	■	
2.2 D 4WD (ALA49) (2AD-FHV)		Diesel	4WD	2231	130	177	12.12-09.19	■	
<b>SIENNA III (_L3_) 01.10-</b>					<b>MPV (Large MPV-M1 Segment)</b>				
2.7 VVTi		Gasolina	FWD	2671	137	186	05.10-	■	
2.7 (ASL30_) (1AR-FE)		Gasolina	FWD	2672	140	190	09.10-07.13	■	
2.7		Gasolina	FWD	2700	202	275	01.12-	■	

# LISTA DE APLICACIONES - BUYERS GUIDE

3.3 L 24V	01/11-	Gasolina	FWD	3295	169	230	01.10-	■
3.5 (GSL30_, GSL33_) (2GR-FE)		Gasolina	FWD	3456	196	267	02.10-	■
3.5 4WD (GSL35_) (2GR-FE)		Gasolina	4WD	3456	196	267	01.10-	■
3.5 (GSL30_) (2GR-FE)		Gasolina	FWD	3456	198	269	01.10-	■
3.5 4WD (GSL35_) (2GR-FE)		Gasolina	4WD	3456	198	269	01.10-	■
3.5 (GSL30_) (2GR-FKS)		Gasolina	FWD	3456	220	299	08.16-	■
3.5 4WD (GSL35_)		Gasolina	4WD	3456	220	299	08.16-	■
3.5 (GSL30) (2GR-FKS)		Gasolina	FWD	3456	221	301	09.16-	■
<b>SIENNA III (_L3_) 01.10-08.14</b>				<b>Van (LCVs-N1 Segment)</b>				
3.5 (GSL33_)		Gasolina	FWD	3456	196	267	01.10-08.14	■
<b>SIENNA IV (_L4_) 09.20-</b>				<b>MPV (Large MPV-M1 Segment)</b>				
2.5 Hybrid (AXLH40) (A25A-FXS)		Gasol./el éc.	FWD	2487	181	246	09.20-	■
2.5 Hybrid AWD (A25A-FXS)		Gasol./el éc.	4WD	2487	181	246	09.20-	■
<b>TOYOTA (FAW)</b>								
<b>RAV 4 V (_AA5_, _AH5_, _AP5_) 10.19-</b>				<b>SUV (Compact SUV-J Segment)</b>				
2.0 (MXAA52)		Gasolina	FWD	1987	126	171	10.19-	■
2.0 4WD (MXAA54)		Gasolina	4WD	1987	126	171	10.19-	■
Hybrid (AXAH52)		Gasol./el éc.	FWD	2487	131	178	10.19-	■
Hybrid E-Four (AXAH54)		Gasol./el éc.	4WD	2487	131	178	10.19-	■
<b>RAV4 IV (_A4_) 08.13-</b>				<b>Hatchback (Compact SUV-J Segment)</b>				
2.0	Rim 17	Gasolina	FWD	1987	108	147	08.13-	■
2.0	Rim 17	Gasolina	FWD	1987	108	147	08.13-	■
2.5	Rim 17	Gasolina	FWD	2494	132	180	08.13-	■
<b>TOYOTA (GAC)</b>								
<b>HIGHLANDER II (_U4_) 05.09-</b>				<b>Closed Off-Road Vehicle (Compact SUV-J Segment)</b>				
2.7 (ASU40_) (3AR-FE)		Gasolina	FWD	2672	138	188	01.11-12.15	■
2.7 (ASU40) (1AR-FE)		Gasolina	FWD	2672	140	190	05.09-12.12	■
3.5 4WD (GSU45) (2GR-FE)		Gasolina	4WD	3456	201	273	05.09-12.15	■
<b>HIGHLANDER III (_U5_) 03.15-</b>				<b>Closed Off-Road Vehicle (Compact SUV-J Segment)</b>				
2.0 T		Gasolina	FWD	1998	162	220	03.15-	■
2.0 T A las 4 ruedas		Gasolina	FWD	1998	162	220	03.15-	■
3.5 A las 4 ruedas		Gasolina	FWD	3456	201	273	03.15-	■
<b>WILDLANDER (_AA5_, _AH5_, _AP5_) 02.20-</b>				<b>Closed Off-Road Vehicle (Compact SUV-J Segment)</b>				
2.0 (MXAA52)		Gasolina	FWD	1987	126	171	02.20-	■
2.0 4WD (MXAA54)		Gasolina	4WD	1987	126	171	02.20-	■
HEV (AXAH52)		Gasol./el éc.	FWD	2487	131	178	02.20-	■
HEV 4WD (AXAH54)		Gasol./el éc.	4WD	2487	131	178	02.20-	■
HEV (AXAH52)		Gasol./el éc.	FWD	2487	160	218	02.20-	■
HEV 4WD (AXAH54)		Gasol./el éc.	4WD	2487	160	218	02.20-	■