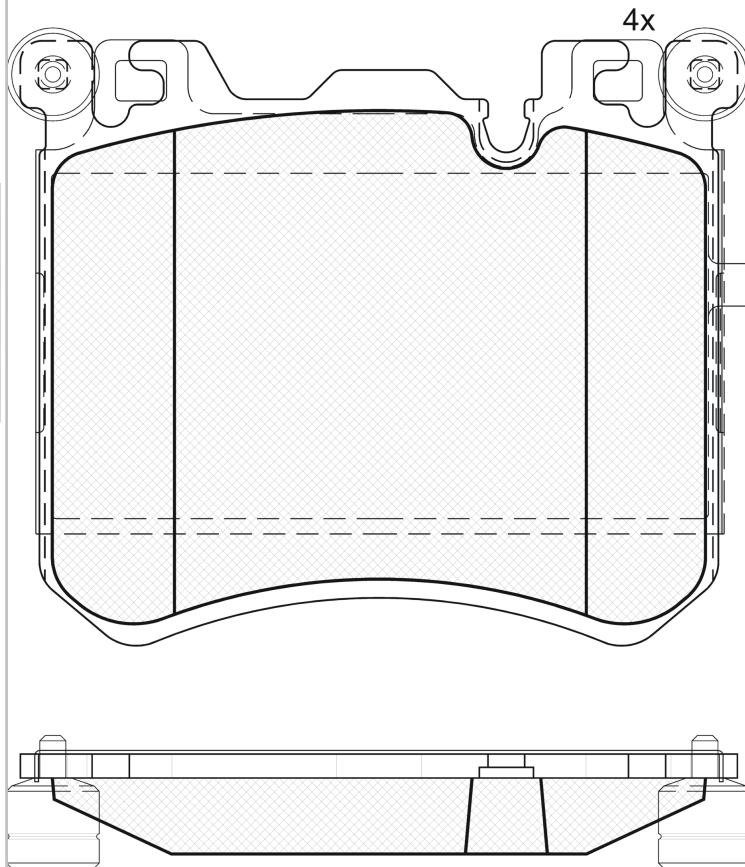


LISTA DE APLICACIONES - BUYERS GUIDE

181984



Qty: 300 Weight: 3.455



181984

E 9 90R-01111/2732



Brembo

140.3x116.3x19.5

O.E.M.	MAKE
34 11 4 073 048	BMW
34 11 6 789 079	BMW
34 11 6 793 643	BMW
34 11 6 794 880	BMW
34 11 6 798 857	BMW
34 11 6 799 964	BMW
34 11 6 858 540	ROLLS-ROYCE
34 11 6 883 892	ROLLS-ROYCE

WVA	FMSI
24524	D1429-8546
MAKE	
BMW	
ROLLS-ROYCE	



	Trac.	CC	Kw	CV			
							Front / Rear

BMW								
X5 II (E70) 02.06-07.13						SUV (Luxury Crossover SUV-J Segment)		
M (S63 B44 A)		Gasolina	4WD	4395	408	555	07.09-07.13	■
X5 III (F15, F85) 08.13-07.18						SUV (Luxury Crossover SUV-J Segment)		
xDrive28i (N20 B20 A)		Gasolina	4WD	1997	180	245	06.15-07.18	■
xDrive 35 i (N55 B30 A)		Gasolina	4WD	2979	225	306	12.13-07.18	■
xDrive 35 i (N55 B30 A)		Gasolina	4WD	2979	240	326	12.13-07.18	■
xDrive 50 i (N63 B44 B)		Gasolina	4WD	4395	330	449	08.13-07.18	■
sDrive 25 d (N47 D20 D)		Diesel	RWD	1995	155	211	12.13-07.18	■
xDrive 25 d (N47 D20 D)		Diesel	4WD	1995	155	211	12.13-07.18	■
sDrive 25 d (N47 D20 D)		Diesel	RWD	1995	160	218	12.13-07.15	■
xDrive 25 d (N47 D20 D)		Diesel	4WD	1995	160	218	12.13-07.15	■
sDrive 25 d (B47 D20 B)		Diesel	RWD	1995	170	231	08.15-07.18	■
xDrive 25 d (B47 D20 B)		Diesel	4WD	1995	170	231	08.15-07.18	■
xDrive 25 d (N57 D30 A)		Diesel	4WD	2993	160	218	04.14-07.18	■
xDrive 30 d (N57 D30 A)		Diesel	4WD	2993	183	249	12.13-07.18	■
xDrive 30 d (N57 D30 A)		Diesel	4WD	2993	190	258	08.13-07.18	■
xDrive 30 d (N57 D30 A)		Diesel	4WD	2993	204	277	08.13-07.18	■
xDrive 30 d (N57 D30 A)		Diesel	4WD	2993	210	286	08.13-07.18	■
xDrive 40 d (N57 D30 B)		Diesel	4WD	2993	230	313	12.13-07.18	■
M 50 d (N57 D30 C)		Diesel	4WD	2993	280	381	12.13-07.18	■
X6 (E71, E72) 06.07-12.15						SUV (Luxury Crossover SUV-J Segment)		
M (S63 B44 A)		Gasolina	4WD	4395	408	555	07.09-07.14	■

LISTA DE APLICACIONES - BUYERS GUIDE

X6 II (F16, F86) 08.14-					SUV (Luxury Crossover SUV-J Segment)			
xDrive 35 i (N55 B30 A)		Gasolina	4WD	2979	225	306	08.14-07.19	■
xDrive 35 i (N55 B30 A)		Gasolina	4WD	2979	240	326	08.14-07.19	■
xDrive 50 i (N63 B44 B)		Gasolina	4WD	4395	330	449	08.14-07.19	■
xDrive 30 d (N57 D30 A)		Diesel	4WD	2993	155	211	08.14-07.19	■
xDrive 30 d (N57 D30 A)		Diesel	4WD	2993	183	249	12.14-07.19	■
xDrive 30 d (N57 D30 A)		Diesel	4WD	2993	190	258	08.14-07.19	■
xDrive 30 d (N57 D30 A)		Diesel	4WD	2993	204	277	08.14-07.19	■
xDrive 40 d (N57 D30 B)		Diesel	4WD	2993	230	313	12.14-07.19	■
M 50 d (N57 D30 C)		Diesel	4WD	2993	280	381	08.14-07.19	■
ROLLS-ROYCE								
DAWN (RR6) 11.15-					Convertible (Luxury car-F Segment)			
V12 (N74 B66 A)		Gasolina	RWD	6592	420	571	02.16-	■
V12 (N74 B66 A)		Gasolina	RWD	6592	442	601	07.17-	■
GHOST (RR4) 12.09-					Saloon (Luxury car-F Segment)			
V12 (N74 B66 A)		Gasolina	RWD	6592	420	571	12.09-03.20	■
V-Specification (N74 B66 A)		Gasolina	RWD	6592	442	601	01.14-06.14	■
V12 (N74 B66 A)		Gasolina	RWD	6592	450	612	03.16-03.20	■
WRAITH (RR5) 08.13-					Coupe (Luxury car-F Segment)			
V12 (N74 B66 A)		Gasolina	RWD	6592	441	600	07.19-	■
V12 (N74 B66 A)		Gasolina	RWD	6592	465	632	08.13-	■