

# LISTA DE APLICACIONES - BUYERS GUIDE

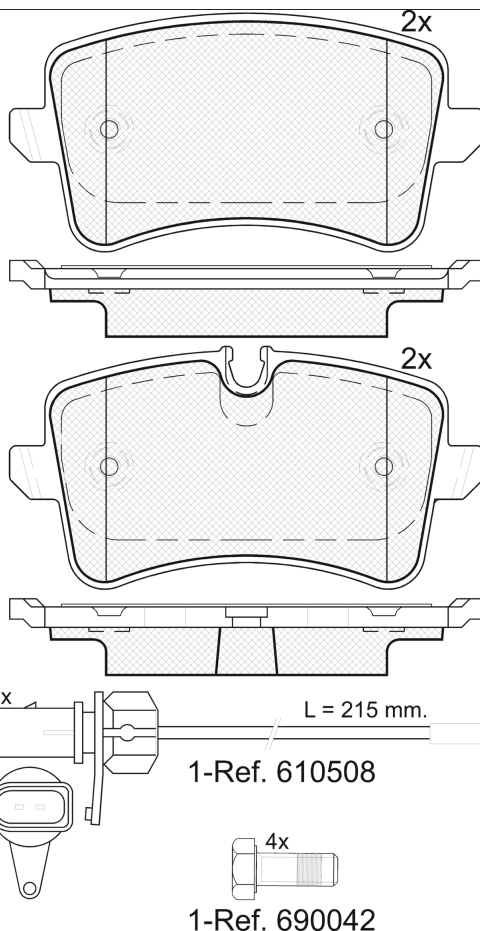
## 181986-203



Qty: 300

Weight: 1.335

O.E.M.	MAKE
4G0 698 451	AUDI
4G0 698 451 A	AUDI
4G0 698 451 B	AUDI
4G0 698 451 C	AUDI
4G0 698 451 J	AUDI
4G0 698 451 K	AUDI
4G0698451L	AUDI
4GD 698 451	AUDI
4GD 698 451 A	AUDI
95B 698 451 E	PORSCHE
95B 698 451 H	PORSCHE
9A7 698 451 00	PORSCHE



## 181986-203

E 9 90R-01111/3136



Trw

116.5x58.6x17.4
116.5x59.6x17.4

WVA	FMSI
24606	D1547-8785
25214	

MAKE
AUDI
PORSCHE



Trac.	CC	Kw	CV				
						Front / Rear	

### AUDI

Model	Trac.	CC	Kw	CV	Date	Segment
<b>A4 IV B8 Avant (8K5) 11.07-06.17</b>						
<b>Estate (Compact executive car-D Segment)</b>						
RS4 quattro (CFSA)	PR 1KZ, PR 2ED, discØ 330	Gasolina	4WD	4163	331 450 05.12-08.15	■
<b>A5 (8F7) 02.09-10.17</b>						
<b>Convertible (Compact executive car-D Segment)</b>						
RS5 quattro (CFSA)		Gasolina	4WD	4163	331 450 11.12-08.15	■
<b>A5 (8T3) 06.07-10.17</b>						
<b>Coupe (Compact executive car-D Segment)</b>						
RS5 quattro (CFSA)		Gasolina	4WD	4163	331 450 03.10-01.17	■
<b>A6 IV Allroad C7 (4GH, 4GJ) 01.12-</b>						
<b>Estate (Executive car-E Segment)</b>						
3.0 TFSI quattro (CGWD)	discØ 330, PR 2EA	Gasolina	4WD	2995	228 310 01.12-12.14	■
3.0 TFSI quattro (CREC)		Gasolina	4WD	2995	245 333 09.14-09.18	■
3.0 TDI quattro (CZVF)		Diesel	4WD	2967	140 190 11.15-09.18	■
3.0 TDI quattro (CLAA)	discØ 330, PR 2EA	Diesel	4WD	2967	150 204 01.12-12.14	■
3.0 TDI quattro (CRTF)		Diesel	4WD	2967	155 211 09.14-09.18	■
3.0 TDI quattro (CZVC)		Diesel	4WD	2967	155 211 09.14-09.18	■
3.0 TDI quattro (CRTE)		Diesel	4WD	2967	160 218 09.14-09.18	■
3.0 TDI quattro (CZVA)		Diesel	4WD	2967	160 218 09.14-09.18	■
3.0 TDI quattro (CDUD)	discØ 330, PR 2EA	Diesel	4WD	2967	180 245 01.12-06.16	■
3.0 TDI quattro (CKVC)	discØ 330, PR 2EA	Diesel	4WD	2967	180 245 01.12-06.16	■
3.0 TDI quattro (CRTD)		Diesel	4WD	2967	200 272 09.14-09.18	■
3.0 TDI quattro (CGQB)	discØ 330, PR 2EA	Diesel	4WD	2967	230 313 01.12-12.14	■
3.0 TDI quattro (CVUA)		Diesel	4WD	2967	235 320 01.12-09.18	■
<b>A6 IV C7 (4G2, 4GC) 11.10-</b>						
<b>Saloon (Executive car-E Segment)</b>						
1.8 TFSI (CYGA)		Gasolina	FWD	1798	140 190 09.14-09.18	■

# LISTA DE APLICACIONES - BUYERS GUIDE

2.0 TFSI (CDNB)	PR 2EA, discØ 330   PR 1KW, discØ 300	Gasolina	FWD	1984	132	180	05.11-09.18	■
2.0 TFSI (CAEB)	PR 2EA, discØ 330   PR 1KW, discØ 300	Gasolina	FWD	1984	155	211	03.11-05.13	■
2.0 TFSI quattro (CAEB)		Gasolina	4WD	1984	155	211	05.12-04.15	■
2.0 TFSI (CAED)		Gasolina	FWD	1984	162	220	05.13-09.18	■
2.0 TFSI quattro (CYPB)		Gasolina	4WD	1984	183	249	05.15-09.18	■
2.0 TFSI (CYNB)		Gasolina	FWD	1984	185	252	09.14-09.18	■
2.0 TFSI (CYPA)		Gasolina	FWD	1984	185	252	09.14-09.18	■
2.0 TFSI quattro (CYNB)		Gasolina	4WD	1984	185	252	05.14-09.18	■
2.0 TFSI quattro (CYPA)		Gasolina	4WD	1984	185	252	05.14-09.18	■
2.8 FSI (CHVA)	PR 2EA, discØ 330   PR 1KW, discØ 300	Gasolina	FWD	2773	150	204	11.10-04.15	■
2.8 FSI quattro (CHVA)	PR 2EA, discØ 330   PR 1KW, discØ 300	Gasolina	4WD	2773	150	204	11.10-04.15	■
2.8 FSI quattro (CVPA)		Gasolina	4WD	2773	162	220	09.14-09.18	■
3.0	PR 2EA, discØ 330, PR 1KW, discØ 300	Gasolina	FWD	2995	213	290	11.11-	■
3.0	PR 2EA, discØ 330, PR 1KW, discØ 300	Gasolina	FWD	2995	213	290	11.11-	■
3.0 TFSI quattro (CCAA)	PR 2EA, discØ 330   PR 1KW, discØ 300	Gasolina	4WD	2995	220	300	11.10-05.12	■
3.0 TFSI quattro (CGWB)	PR 2EA, discØ 330   PR 1KW, discØ 300	Gasolina	4WD	2995	220	300	11.10-05.12	■
3.0 TFSI quattro (CGWD)	PR 2EA, discØ 330   PR 1KW, discØ 300	Gasolina	4WD	2995	228	310	03.11-09.18	■
3.0 TFSI quattro (CGXB)	PR 2EA, discØ 330   PR 1KW, discØ 300	Gasolina	4WD	2995	228	310	03.11-09.18	■
3.0 TFSI quattro (CTUA)	PR 2EA, discØ 330   PR 1KW, discØ 300	Gasolina	4WD	2995	228	310	03.11-09.18	■
3.0 TFSI quattro (CREC)		Gasolina	4WD	2995	245	333	09.14-09.18	■
3.0 TFSI quattro		Gasolina	4WD	2995	250	340	09.16-09.18	■
S6 quattro (CEUC)	PR 2EA, discØ 330   PR 1KW, discØ 300	Gasolina	4WD	3993	309	420	02.12-09.18	■
S6 quattro (CTGE)		Gasolina	4WD	3993	331	450	10.14-09.18	■
2.0 TFSI Hybrid (CHJA)	PR 2EA, discØ 330   PR 1KW, discØ 300	Gasol./el éc.	FWD	1984	180	245	11.11-04.15	■
2.0 TDI (CGLE)		Diesel	FWD	1968	100	136	01.12-09.18	■
2.0 TDI (CSUE)		Diesel	FWD	1968	100	136	01.12-09.18	■
2.0 TDI (CSUD)		Diesel	FWD	1968	110	150	09.14-09.18	■
2.0 TDI (DDCB)		Diesel	FWD	1968	110	150	09.14-09.18	■
2.0 TDI (CGLD)	PR 2EA, discØ 330   PR 1KW, discØ 300	Diesel	FWD	1968	120	163	03.11-09.18	■
2.0 TDI (CGLC)	PR 2EA, discØ 330   PR 1KW, discØ 300	Diesel	FWD	1968	130	177	03.11-09.18	■
2.0 TDI (CMGB)	PR 2EA, discØ 330   PR 1KW, discØ 300	Diesel	FWD	1968	130	177	03.11-09.18	■
2.0 TDI (CNHA)	PR 1KW, PR 1KY, PR 2EA	Diesel	FWD	1968	140	190	11.13-09.18	■
2.0 TDI (CZJA)	PR 1KW, PR 1KY, PR 2EA	Diesel	FWD	1968	140	190	11.13-09.18	■
2.0 TDI (DDDA)	PR 1KW, PR 1KY, PR 2EA	Diesel	FWD	1968	140	190	11.13-09.18	■
2.0 TDI quattro (CNHA)		Diesel	4WD	1968	140	190	04.15-09.18	■
2.0 TDI quattro (DDDA)		Diesel	4WD	1968	140	190	04.15-09.18	■
2.1 TDI		Diesel	FWD	1968	140	190	01.15-09.18	■
3.0 TDI (CLAB)	PR 2EA, discØ 330   PR 1KW, discØ 300	Diesel	FWD	2967	150	204	11.10-09.18	■
3.0 TDI quattro (CLAA)	PR 2EA, discØ 330   PR 1KW, discØ 300	Diesel	4WD	2967	150	204	03.11-09.18	■
3.0 TDI (CTCB)		Diesel	FWD	2967	155	211	09.14-09.18	■
3.0 TDI (CZVD)		Diesel	FWD	2967	155	211	09.14-09.18	■
3.0 TDI quattro (CRTF)		Diesel	4WD	2967	155	211	09.14-09.18	■
3.0 TDI quattro (CZVC)		Diesel	4WD	2967	155	211	09.14-09.18	■

# LISTA DE APLICACIONES - BUYERS GUIDE

3.0 TDI (CTCC)		Diesel	FWD	2967	160	218	09.14-09.18	■	
3.0 TDI (CZVB)		Diesel	FWD	2967	160	218	09.14-09.18	■	
3.0 TDI quattro (CRTE)		Diesel	4WD	2967	160	218	09.14-09.18	■	
3.0 TDI quattro (CZVA)		Diesel	4WD	2967	160	218	09.14-09.18	■	
3.0 TDI quattro (CDUC)	PR 2EA, discØ 330   PR 1KW, discØ 300	Diesel	4WD	2967	180	245	03.11-09.18	■	
3.0 TDI quattro (CDUD)	PR 2EA, discØ 330   PR 1KW, discØ 300	Diesel	4WD	2967	180	245	03.11-09.18	■	
3.0 TDI quattro (CKVB)	PR 2EA, discØ 330   PR 1KW, discØ 300	Diesel	4WD	2967	180	245	03.11-09.18	■	
3.0 TDI quattro (CKVC)	PR 2EA, discØ 330   PR 1KW, discØ 300	Diesel	4WD	2967	180	245	03.11-09.18	■	
3.0 TDI quattro (CRTD)		Diesel	4WD	2967	200	272	09.14-09.18	■	
3.0 TDI quattro (CGQB)	PR 2EA, discØ 330   PR 1KW, discØ 300	Diesel	4WD	2967	230	313	11.11-09.18	■	
3.0 TDI quattro (CVUA)		Diesel	4WD	2967	235	320	09.14-09.18	■	
3.0 TDI quattro (CVUB)		Diesel	4WD	2967	240	326	09.14-09.18	■	
<b>A6 IV C7 Avant (4G5, 4GD) 05.11-</b>							<b>Estate (Executive car-E Segment)</b>		
1.8 TFSI (CYGA)		Gasolina	FWD	1798	140	190	09.14-09.18	■	
2.0 TFSI (CDNB)	PR 2EA, discØ 330   PR 1KW, discØ 300	Gasolina	FWD	1984	132	180	06.11-09.18	■	
2.0 TFSI quattro (CYPB)		Gasolina	4WD	1984	183	249	05.15-09.18	■	
2.0 TFSI (CYNB)		Gasolina	FWD	1984	185	252	09.14-09.18	■	
2.0 TFSI (CYPA)		Gasolina	FWD	1984	185	252	09.14-09.18	■	
2.0 TFSI quattro (CYPA)		Gasolina	4WD	1984	185	252	05.15-09.18	■	
2.8 FSI (CHVA)	PR 2EA, discØ 330   PR 1KW, discØ 300	Gasolina	FWD	2773	150	204	05.11-04.15	■	
2.8 FSI quattro (CHVA)	PR 2EA, discØ 330   PR 1KW, discØ 300	Gasolina	4WD	2773	150	204	05.11-04.15	■	
2.8 FSI quattro (CVPA)		Gasolina	4WD	2773	162	220	09.14-09.18	■	
3.0 TFSI quattro (CGWB)	PR 2EA, discØ 330   PR 1KW, discØ 300	Gasolina	4WD	2995	220	300	05.11-05.12	■	
3.0 TFSI quattro (CGWD)	PR 2EA, discØ 330   PR 1KW, discØ 300	Gasolina	4WD	2995	228	310	11.11-09.18	■	
3.0 TFSI quattro (CREC)		Gasolina	4WD	2995	245	333	09.14-09.18	■	
S6 quattro (CEUC)	discØ 330, PR 2EA	Gasolina	4WD	3993	309	420	02.12-09.18	■	
S6 quattro (CTGE)		Gasolina	4WD	3993	331	450	10.14-09.18	■	
RS6 quattro (CRDB)		Gasolina	4WD	3993	412	560	01.13-09.18	■	
RS6 quattro (CWUB)		Gasolina	4WD	3993	412	560	01.13-09.18	■	
RS6 performance quattro (CWUC)		Gasolina	4WD	3993	445	605	11.15-09.18	■	
2.0 TDI (CGLE)		Diesel	FWD	1968	100	136	01.12-09.18	■	
2.0 TDI (CSUE)		Diesel	FWD	1968	100	136	01.12-09.18	■	
2.0 TDI (DDCA)		Diesel	FWD	1968	100	136	01.12-09.18	■	
2.0 TDI (CSUD)		Diesel	FWD	1968	110	150	09.14-09.18	■	
2.0 TDI (DDCB)		Diesel	FWD	1968	110	150	09.14-09.18	■	
2.0 TDI (CGLD)	PR 2EA, discØ 330   PR 1KW, discØ 300	Diesel	FWD	1968	120	163	05.11-09.18	■	
2.0 TDI (CGLC)	PR 2EA, discØ 330   PR 1KW, discØ 300	Diesel	FWD	1968	130	177	05.11-09.18	■	
2.0 TDI (CMGB)	PR 2EA, discØ 330   PR 1KW, discØ 300	Diesel	FWD	1968	130	177	05.11-09.18	■	
2.0 TDI (CNHA)	PR 1KW, PR 1KY, PR 2EA	Diesel	FWD	1968	140	190	11.13-09.18	■	
2.0 TDI (CZJA)	PR 1KW, PR 1KY, PR 2EA	Diesel	FWD	1968	140	190	11.13-09.18	■	
2.0 TDI (DDDA)	PR 1KW, PR 1KY, PR 2EA	Diesel	FWD	1968	140	190	11.13-09.18	■	
2.0 TDI quattro (CNHA)		Diesel	4WD	1968	140	190	04.15-09.18	■	
2.0 TDI quattro (DDDA)		Diesel	4WD	1968	140	190	04.15-09.18	■	
3.0 TDI (CLAB)	PR 2EA, discØ 330   PR 1KW, discØ 300	Diesel	FWD	2967	150	204	05.11-09.18	■	

# LISTA DE APLICACIONES - BUYERS GUIDE

3.0 TDI quattro (CLAA)	PR 2EA, discØ 330   PR 1KW, discØ 300	Diesel	4WD	2967	150	204	05.11-09.18	■	
3.0 TDI (CTCB)		Diesel	FWD	2967	155	211	09.14-09.18	■	
3.0 TDI (CZVD)		Diesel	FWD	2967	155	211	09.14-09.18	■	
3.0 TDI quattro (CRTF)		Diesel	4WD	2967	155	211	09.14-09.18	■	
3.0 TDI quattro (CZVC)		Diesel	4WD	2967	155	211	09.14-09.18	■	
3.0 TDI (CTCC)		Diesel	FWD	2967	160	218	09.14-09.18	■	
3.0 TDI (CZVB)		Diesel	FWD	2967	160	218	09.14-09.18	■	
3.0 TDI quattro (CRTE)		Diesel	4WD	2967	160	218	09.14-09.18	■	
3.0 TDI quattro (CZVA)		Diesel	4WD	2967	160	218	09.14-09.18	■	
3.0 TDI quattro (CDUC)	PR 2EA, discØ 330   PR 1KW, discØ 300	Diesel	4WD	2967	180	245	05.11-09.18	■	
3.0 TDI quattro (CDUD)	PR 2EA, discØ 330   PR 1KW, discØ 300	Diesel	4WD	2967	180	245	05.11-09.18	■	
3.0 TDI quattro (CKVB)	PR 2EA, discØ 330   PR 1KW, discØ 300	Diesel	4WD	2967	180	245	05.11-09.18	■	
3.0 TDI quattro (CKVC)	PR 2EA, discØ 330   PR 1KW, discØ 300	Diesel	4WD	2967	180	245	05.11-09.18	■	
3.0 TDI quattro (CRTD)		Diesel	4WD	2967	200	272	09.14-09.18	■	
3.0 TDI quattro (CGQB)	PR 2EA, discØ 330   PR 1KW, discØ 300	Diesel	4WD	2967	230	313	11.11-09.18	■	
3.0 TDI quattro (CVUA)		Diesel	4WD	2967	235	320	09.14-09.18	■	
3.0 TDI quattro (CVUB)		Diesel	4WD	2967	240	326	09.14-09.18	■	
<b>A6 V Allroad C8 (4AH) 11.18-</b>					<b>Estate (Executive car-E Segment)</b>				
45 TDI Mild Hybrid quattro (DDVE)	PR 2EA, PR 2EJ, discØ 330	Diesel/el éc.	4WD	2967	170	231	11.18-	■	
50 TDI Mild Hybrid quattro (DDVB)	PR 2EA, PR 2EJ, discØ 330	Diesel/el éc.	4WD	2967	210	286	11.18-	■	
55 TDI Mild Hybrid quattro (DEWA)	PR 2EA, PR 2EJ, discØ 330	Diesel/el éc.	4WD	2967	257	349	03.19-	■	
<b>A7 Sportback (4GA, 4GF) 07.10-11.19</b>					<b>Hatchback (Executive car-E Segment)</b>				
1.8 TFSI (CYGA)		Gasolina	FWD	1798	140	190	04.15-05.18	■	
2.0 TFSI quattro (CYPB)	PR 1KY, PR 2EA, PR 2EE, PR 2EJ, discØ 330, PR 1KW, discØ 300	Gasolina	4WD	1984	183	249	05.15-05.18	■	
2.0 TFSI (CYPA)	PR 1KY, PR 2EA, PR 2EE, PR 2EJ, discØ 330, PR 1KW, discØ 300	Gasolina	FWD	1984	185	252	09.14-05.18	■	
2.0 TFSI quattro (CYNB)	PR 1KY, PR 2EA, PR 2EE, PR 2EJ, discØ 330, PR 1KW, discØ 300	Gasolina	4WD	1984	185	252	05.15-05.18	■	
2.0 TFSI quattro (CYPA)	PR 1KY, PR 2EA, PR 2EE, PR 2EJ, discØ 330, PR 1KW, discØ 300	Gasolina	4WD	1984	185	252	05.15-05.18	■	
2.8 FSI (CHVA)	PR 2EA, discØ 330   PR 1KW, discØ 300	Gasolina	FWD	2773	150	204	02.11-03.15	■	
2.8 FSI quattro (CHVA)	PR 2EA, discØ 330   PR 1KW, discØ 300	Gasolina	4WD	2773	150	204	10.10-03.15	■	
2.8 FSI quattro (CNYA)	PR 2EA, discØ 330   PR 1KW, discØ 300	Gasolina	4WD	2773	150	204	10.10-03.15	■	
2.8 FSI quattro (CVPA)		Gasolina	4WD	2773	162	220	09.14-05.18	■	
3.0 TFSI quattro (CGWB)	PR 2EA, discØ 330   PR 1KW, discØ 300	Gasolina	4WD	2995	220	300	10.10-05.12	■	
3.0 TFSI quattro (CHMA)	PR 2EA, discØ 330   PR 1KW, discØ 300	Gasolina	4WD	2995	220	300	10.10-05.12	■	
3.0 TFSI quattro (CGWD)	PR 2EA, discØ 330   PR 1KW, discØ 300	Gasolina	4WD	2995	228	310	01.11-03.15	■	
3.0 TFSI quattro (CGXB)	PR 2EA, discØ 330   PR 1KW, discØ 300	Gasolina	4WD	2995	228	310	01.11-03.15	■	
3.0 TFSI quattro (CTTA)	PR 2EA, discØ 330   PR 1KW, discØ 300	Gasolina	4WD	2995	228	310	01.11-03.15	■	
3.0 TFSI quattro (CTUA)	PR 2EA, discØ 330   PR 1KW, discØ 300	Gasolina	4WD	2995	228	310	01.11-03.15	■	
3.0 TFSI quattro (CREC)		Gasolina	4WD	2995	245	333	05.14-05.18	■	

# LISTA DE APLICACIONES - BUYERS GUIDE

3.0 TFSI quattro		Gasolina	4WD	2995	250	340	05.16-05.18	■
S7 quattro (CEUC)	discØ 330, PR 2EA	Gasolina	4WD	3993	309	420	02.12-03.15	■
S7 quattro (CTGE)	PR 1KU, discØ 370	Gasolina	4WD	3993	331	450	07.14-05.18	■
RS7 quattro (CRDB)		Gasolina	4WD	3993	412	560	10.13-04.18	■
RS7 quattro (CWUB)		Gasolina	4WD	3993	412	560	10.13-04.18	■
RS7 performance quattro (CWUC)		Gasolina	4WD	3993	445	605	11.15-04.18	■
3.0 TDI (CZVE)		Diesel	FWD	2967	140	190	11.15-05.18	■
3.0 TDI quattro (CZVE)		Diesel	4WD	2967	140	190	11.15-05.18	■
3.0 TDI quattro (CZVF)		Diesel	4WD	2967	140	190	11.15-05.18	■
3.0 TDI (CLAB)	PR 2EA, discØ 330   PR 1KW, discØ 300	Diesel	FWD	2967	150	204	11.10-03.15	■
3.0 TDI quattro (CLAA)	PR 2EA, discØ 330   PR 1KW, discØ 300	Diesel	4WD	2967	150	204	12.10-03.15	■
3.0 TDI (CZVD)		Diesel	FWD	2967	155	211	11.15-05.18	■
3.0 TDI quattro (CRTF)		Diesel	4WD	2967	155	211	07.14-05.18	■
3.0 TDI quattro (CTCB)		Diesel	4WD	2967	155	211	07.14-05.18	■
3.0 TDI quattro (CZVC)		Diesel	4WD	2967	155	211	07.14-05.18	■
3.0 TDI (CTCC)		Diesel	FWD	2967	160	218	07.14-05.18	■
3.0 TDI (CZVB)		Diesel	FWD	2967	160	218	07.14-05.18	■
3.0 TDI quattro (CRTE)		Diesel	4WD	2967	160	218	07.14-05.18	■
3.0 TDI quattro (CZVA)		Diesel	4WD	2967	160	218	07.14-05.18	■
3.0 TDI quattro (CPNB)	PR 1KW, PR 1KY, PR 2EA	Diesel	4WD	2967	176	239	05.13-06.17	■
3.0 TDI quattro (CDUC)	PR 2EA, discØ 330   PR 1KW, discØ 300	Diesel	4WD	2967	180	245	10.10-06.16	■
3.0 TDI quattro (CDUD)	PR 2EA, discØ 330   PR 1KW, discØ 300	Diesel	4WD	2967	180	245	10.10-06.16	■
3.0 TDI quattro (CKVB)	PR 2EA, discØ 330   PR 1KW, discØ 300	Diesel	4WD	2967	180	245	10.10-06.16	■
3.0 TDI quattro (CKVC)	PR 2EA, discØ 330   PR 1KW, discØ 300	Diesel	4WD	2967	180	245	10.10-06.16	■
3.0 TDI quattro (CRTD)		Diesel	4WD	2967	200	272	05.14-05.18	■
3.0 TDI quattro (CGQB)	PR 2EA, discØ 330   PR 1KW, discØ 300	Diesel	4WD	2967	230	313	11.11-03.15	■
3.0 TDI quattro (CVUA)		Diesel	4WD	2967	235	320	05.14-05.18	■
3.0 TDI quattro (CVUB)	PR 2EA, discØ 330, PR 1KW, discØ 300	Diesel	4WD	2967	240	326	09.14-05.18	■

## PORSCHE

<b>MACAN (95B) 02.14-</b>								<b>SUV (Compact SUV-J Segment)</b>	
2.0 (MCN.CC)	PR 1KD, PR 1KE	Gasolina	4WD	1984	174	237	05.14-09.18	■	
2.0 (MCY.NA)	PR 1KD, PR 1KE	Gasolina	4WD	1984	174	237	05.14-09.18	■	
2.0 (DKNA)	discØ 330, 1KB, 1KE, 1KY, 1KD	Gasolina	4WD	1984	180	245	05.18-	■	
2.0 (DLHB)	discØ 330, 1KB, 1KE, 1KY, 1KD	Gasolina	4WD	1984	185	252	05.15-	■	
2.0 (MCY.NB)	discØ 330, 1KB, 1KE, 1KY, 1KD	Gasolina	4WD	1984	185	252	05.15-	■	
2.0 (MCY.PA)	discØ 330, 1KB, 1KE, 1KY, 1KD	Gasolina	4WD	1984	185	252	05.15-	■	
2.0 (95BAU1)	discØ 330, 1KB, 1KE, 1KY, 1KD	Gasolina	4WD	1984	195	265	05.18-	■	
2.9 GTS (95BBL1)	discØ 330, 1KB, 1KE, 1KY, 1KD	Gasolina	4WD	2894	280	380	05.19-	■	
2.9 S (95BBV1) (DGRB)		Gasolina	4WD	2894	280	380	05.21-	■	
2.9 GTS AWD (95BBW1) (DGRC)		Gasolina	4WD	2894	324	441	05.21-	■	
2.9 Turbo AWD (95BCI1) (DGR)	discØ 330, 1KB, 1KE, 1KY, 1KD	Gasolina	4WD	2894	324	441	05.18-	■	
2.9 Turbo AWD (95BCI1) (DGRC)	discØ 330, 1KB, 1KE, 1KY, 1KD	Gasolina	4WD	2894	324	441	05.18-	■	
3.0S (DLZB)		Gasolina	4WD	2995	260	354	05.18-	■	
3.0S (MCT.MA)	PR 1KD, PR 1KE	Gasolina	4WD	2997	250	340	02.14-09.18	■	

## LISTA DE APLICACIONES - BUYERS GUIDE

3.0 GTS (MDC.NA)		Gasolina	4WD	2997	265	360	10.15-09.18	■
3.6 Turbo (MCT.LA)	PR 1KD, PR 1KE	Gasolina	4WD	3604	294	400	02.14-09.18	■
3.6 Turbo (MDH.KA)		Gasolina	4WD	3604	324	441	09.16-	■
3.0 S Diesel (MCT.BB)	PR 1KD, PR 1KE	Diesel	4WD	2967	155	211	02.14-09.18	■
3.0 S Diesel (MCD.UD)	PR 1KD, PR 1KE	Diesel	4WD	2967	180	245	02.14-09.18	■
3.0 S Diesel (MCT.BC)	PR 1KD, PR 1KE	Diesel	4WD	2967	184	250	02.14-09.18	■
3.0 S Diesel (MCT.BA)	PR 1KD, PR 1KE	Diesel	4WD	2967	190	258	02.14-09.18	■