

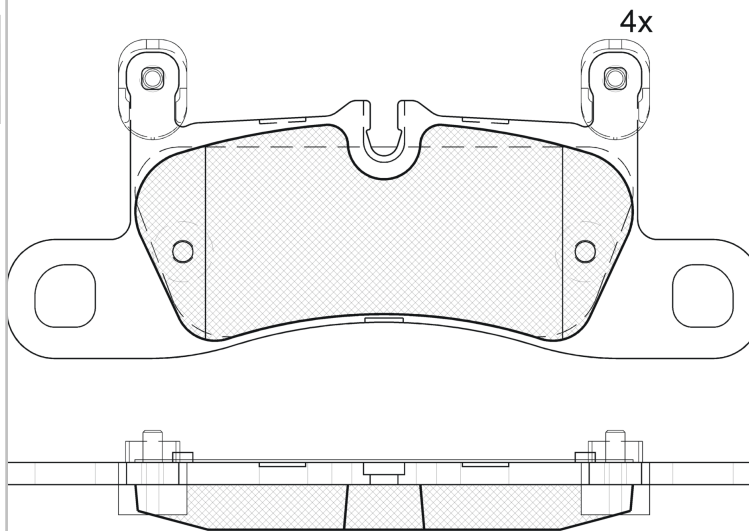
# LISTA DE APLICACIONES - BUYERS GUIDE

## 181987-203



Qty: 300 Weight: 2.425

O.E.M.	MAKE
7P5 698 451	VW
958 351 939 50	PORSCHE
958 352 939 50	PORSCHE



## 181987-203

**E 9** 90R-01111/3069



Brembo

187.6x79.2x17.4

WVA	FMSI
24721	D1453-8643
<b>MAKE</b>	
PORSCHE	



Trac.	CC	Kw	CV
-------	----	----	----



Front / Rear

### PORSCHE

CAYENNE II (92A) 05.10-							SUV (Luxury Crossover SUV-J Segment)	
3.6 (M 55.02)		Gasolina	4WD	3598	220	300	06.10-12.18	■
3.6 (MCE.YA)		Gasolina	4WD	3598	220	300	06.10-12.18	■
3.6 S (MCU.RA)		Gasolina	4WD	3604	309	420	10.14-05.18	■
3.6 GTS (MCX.ZA)		Gasolina	4WD	3604	324	440	02.15-05.18	■
4.8 S (M 48.02)		Gasolina	4WD	4806	294	400	06.10-05.14	■
4.8 GTS (M 48.02)		Gasolina	4WD	4806	309	420	06.12-05.18	■
4.8 Turbo (M 48.52)	Red Caliper, PR 1KP	Gasolina	4WD	4806	368	500	06.10-05.14	■
4.8 Turbo (MCF.TB)	PR 1KP	Gasolina	4WD	4806	382	520	10.14-05.18	■
4.8 Turbo (M 48.52)	Red Caliper, PR 1KP	Gasolina	4WD	4806	397	540	06.10-05.14	■
4.8 Turbo S (M 48.52)		Gasolina	4WD	4806	405	550	10.12-05.14	■
3.0 S E-Hybrid (M 06.EC)	PR 1KP	Gasol./el éc.	4WD	2995	306	416	05.11-05.17	■
3.0 S E-Hybrid (MCG.E)	PR 1KP	Gasol./el éc.	4WD	2995	306	416	05.11-05.17	■
3.0 S E-Hybrid (MCG.EA)	PR 1KP	Gasol./el éc.	4WD	2995	306	416	05.11-05.17	■
3.0 S E-Hybrid (MCG.FA)	PR 1KP	Gasol./el éc.	4WD	2995	306	416	05.11-05.17	■
3.0 Diesel (MCR.CB)		Diesel	4WD	2967	155	211	06.10-05.18	■
3.0 Diesel (MCV.VC)		Diesel	4WD	2967	155	211	06.10-05.18	■
3.0 Diesel (M 05.9E)		Diesel	4WD	2967	176	239	06.10-05.18	■
3.0 Diesel (MCN.RB)		Diesel	4WD	2967	176	239	06.10-05.18	■
3.0 Diesel (MCR.C)		Diesel	4WD	2967	180	245	06.11-05.18	■
3.0 Diesel (MCR.CA)		Diesel	4WD	2967	180	245	06.11-05.18	■
3.0 Diesel (MCV.VB)		Diesel	4WD	2967	184	250	08.14-05.18	■

## LISTA DE APLICACIONES - BUYERS GUIDE

3.0 Diesel (MCV.VA)		Diesel	4WD	2967	193	262	10.14-05.18	■	
4.2 S Diesel (MCU.DB)		Diesel	4WD	4134	281	382	10.12-05.14	■	
4.2 S Diesel (MCU.DC)	PR 2EE	Diesel	4WD	4134	283	385	10.14-05.18	■	
<b>CAYENNE III (9YB) 05.17-</b>					<b>SUV (Luxury Crossover SUV-J Segment)</b>				
2.9 S AWD (9YBBB1) (DCAB)		Gasolina	4WD	2894	324	440	01.19-	■	
3.0 AWD (9YBAA1) (DCBE)		Gasolina	4WD	2995	250	340	01.19-	■	
4.0 Turbo AWD (9YBCF1) (DCUA)		Gasolina	4WD	3996	404	550	01.19-	■	