

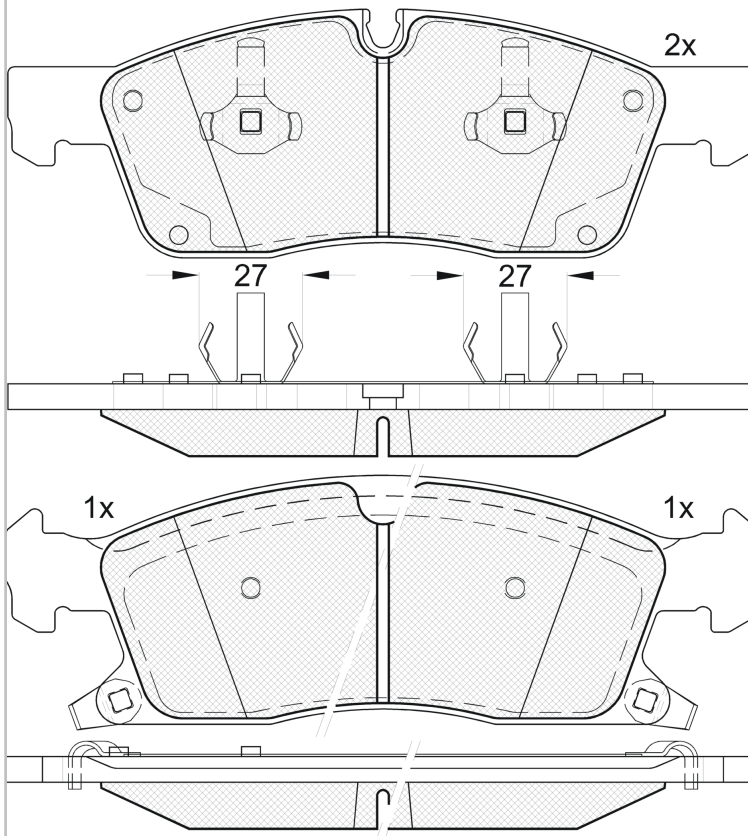
# LISTA DE APLICACIONES - BUYERS GUIDE

## 181988



Qty: 300

Weight: 2.630



## 181988

**E 9 90R-01111/3006**



Ate - Teves

193.25x64x19.2

194.4x64.1x19.2

O.E.M.	MAKE
000 420 33 02	MERCEDES-BENZ
000 420 96 00	MERCEDES-BENZ
0004201305	MERCEDES-BENZ
0004208804	MERCEDES-BENZ
006 420 38 20	MERCEDES-BENZ
006 420 39 20	MERCEDES-BENZ
007 420 80 20	MERCEDES-BENZ
007 420 81 20	MERCEDES-BENZ
00K68052369AB	JEEP
00K68052369AC	JEEP
2AMV-3369-AA	JEEP
68052369AA	JEEP
68052369AB	DODGE
68052369AC	JEEP
68052369AD	JEEP
68052370AA	JEEP
68052370AB	DODGE
68052370AC	DODGE
K68052369AA	JEEP
K68052369AB	JEEP
K68052369AC	JEEP
K68052370AA	JEEP
V1012369AA	JEEP

WVA	FMSI
25190	D1455-8655
25191	D1455-8856
25192	D1629-8856
25480	D1629-8655
25500	

**MAKE**

DODGE
JEEP
MERCEDES-BENZ



Trac.	CC	Kw	CV
-------	----	----	----



Front / Rear

### DODGE

DURANGO III (WD) 12.10-						SUV (Luxury Crossover SUV-J Segment)		
3.6 AWD		Gasolina	4WD	3604	210	286	01.11-	■
3.6		Gasolina	FWD	3604	213	290	01.12-	■
3.6 (ERB)		Gasolina	RWD	3604	216	294	01.11-	■
3.6 AWD (ERB)		Gasolina	4WD	3604	216	294	01.11-	■
5.7		Gasolina	FWD	5654	265	360	01.12-	■
5.7		Gasolina	FWD	5654	265	360	01.12-	■
5.7 (EZH)		Gasolina	RWD	5654	268	364	01.11-	■
5.7 AWD (EZH)		Gasolina	4WD	5654	268	364	01.11-	■
3.6 FLEX (ERB)		Gasol./Et anol	RWD	3604	216	294	12.10-	■

### JEEP

GRAND CHEROKEE III (WH, WK) 10.04-12.11						Closed Off-Road Vehicle (Luxury Crossover SUV-J Segment)		
5.7 V8 4x4 (EZD)	Eq.V_ 17",18"	Gasolina	4WD	5654	259	352	01.09-12.10	■
5.7 V8 4x4 (EZH)	Eq.V_ 17",18"	Gasolina	4WD	5654	259	352	01.09-12.10	■

GRAND CHEROKEE IV (WK, WK2) 06.10-						SUV (Luxury Crossover SUV-J Segment)		
3.0 V6 4x4		Gasolina	4WD	2985	175	238	09.14-	■
3.6 V6 4x4		Gasolina	4WD	3604	207	281	11.10-	■
3.6 V6 (ERB)	Rim 17, Rim 18	Gasolina	RWD	3604	209	284	11.10-	■
3.6 V6 4x4 (ERB)	Rim 17, Rim 18	Gasolina	4WD	3604	210	286	11.10-	■
3.6 VVT		Gasolina	RWD	3604	213	290	10.10-	■
3.6 VVT 4x4 (ERB)		Gasolina	4WD	3604	213	290	04.16-	■
3.6		Gasolina	FWD	3604	216	294	09.13-	■

# LISTA DE APLICACIONES - BUYERS GUIDE

5.7 V8 4x4 (EZH)	Rim 17, Rim 18, BRY,BR2, BR6, BR1,BR3	Gasolina	4WD	5654	259	352	11.10-	■	
5.7 V8 4x4 (EZH)	BRY,BR2, BR6, BR1,BR3	Gasolina	4WD	5654	265	360	05.13-	■	
5.7 4x4 (EZH)	BRY,BR2, BR6, BR1,BR3	Gasolina	4WD	5654	268	364	01.11-	■	
5.7 4x4 (EZH)	Rim 17, Rim 18	Gasolina	4WD	5654	269	366	01.11-	■	
5.7 HEMI	Rim 17, Rim 18	Gasolina	FWD	5654	269	366	06.10-	■	
6.4 SRT8 4x4 (ESG)		Gasolina	4WD	6417	344	468	03.11-	■	
6.4 SRT8 4x4 (ESG)		Gasolina	4WD	6417	347	472	06.11-	■	
6.4 SRT8 4x4 (ESG)		Gasolina	4WD	6417	350	476	09.11-	■	
6.4 SRT8 4x4 (ESG)		Gasolina	4WD	6417	351	477	01.14-	■	
6.4 SRT8 4x4 (ESG)		Gasolina	4WD	6417	354	481	12.14-	■	
3.6 V6 FlexFuel 4x4 (ERB)	Rim 17, Rim 18	Gasol./Etanol	4WD	3604	210	286	11.10-	■	
3.0 CRD V6 4x4 (EXF)	Rim 17, Rim 18, BRY,BR2, BR6, BR1,BR3	Diesel	4WD	2987	140	190	02.11-	■	
3.0 CRD V6 4x4 (EXN)	Rim 17, Rim 18, BRY,BR2, BR6, BR1,BR3	Diesel	4WD	2987	140	190	02.11-	■	
3.0 CRD V6 4x4 (EXF)	BRY,BR2, BR6, BR1,BR3	Diesel	4WD	2987	160	218	01.11-	■	
3.0 CRD V6 4x4 (EXN)	BRY,BR2, BR6, BR1,BR3	Diesel	4WD	2987	160	218	01.11-	■	
3.0 CRD V6 4x4 (EXF)	Rim 17, Rim 18, BRY,BR2, BR6, BR1,BR3	Diesel	4WD	2987	177	241	02.11-	■	
3.0 CRD V6 4x4 (EXN)	Rim 17, Rim 18, BRY,BR2, BR6, BR1,BR3	Diesel	4WD	2987	177	241	02.11-	■	
3.0 CRD (EXF)	BR6,BRY, BR1	Diesel	RWD	2987	179	243	09.13-	■	
3.0 CRD (EXN)	BR6,BRY, BR1	Diesel	RWD	2987	179	243	09.13-	■	
3.0 TDV6 4x4 (EXF)		Diesel	4WD	2987	179	243	04.14-	■	
3.0 TDV6 4x4 (EXN)		Diesel	4WD	2987	179	243	04.14-	■	
3.0 CRD V6 4x4 (EXF)	BRY,BR2, BR6, BR1,BR3	Diesel	4WD	2987	184	250	07.13-	■	
3.0 CRD V6 4x4 (EXN)	BRY,BR2, BR6, BR1,BR3	Diesel	4WD	2987	184	250	07.13-	■	
<b>GRAND CHEROKEE IV VAN (WK2) 06.10-</b>						<b>SUV Van (Luxury Crossover SUV-J Segment)</b>			
V6 VVT		Gasolina	4WD	3604	210	286	07.13-	■	
5.7 HEMI 4x4		Gasolina	4WD	5654	259	352	07.13-	■	
6.4 SRT8 4x4		Gasolina	4WD	6417	344	468	07.13-	■	
3.0 CRD		Diesel	4WD	2987	140	190	01.17-	■	
3.0 CRD		Diesel	4WD	2987	184	250	07.13-	■	
<b>MERCEDES-BENZ</b>									
<b>GL-Class II (X166) 07.12-</b>						<b>SUV (Luxury Crossover SUV-J Segment)</b>			
GL 400 4-matic (166.856) (M 276.821)	not AMG sports pack.	Gasolina	4WD	2996	245	333	08.13-10.15	■	
GL 450 4-matic (166.864)	not AMG sports pack.	Gasolina	4WD	2996	270	367	09.14-10.15	■	
GL 500 4-matic (166.873) (M 278.928)	not AMG sports pack.	Gasolina	4WD	4663	320	435	07.12-10.15	■	
GL 350 CDI / BlueTEC 4-matic (166.824) (OM 642.826)		Diesel	4WD	2987	183	249	07.12-10.15	■	
GL 350 CDI / BlueTEC 4-matic (166.824) (OM 642.826)	not AMG sports pack.	Diesel	4WD	2987	190	258	07.12-10.15	■	
<b>GLE-Class (C292) 03.15-</b>						<b>SUV (Executive SUV-J Segment)</b>			
320 4-matic (166.062) (M 276.821)		Gasolina	4WD	2996	200	272	10.15-10.18	■	
400 4-matic (166.056) (M 276.821)	AMG Sports Package	Gasolina	4WD	2996	245	333	04.15-10.18	■	
400 4-matic (166.056) (M 276.825)	AMG Sports Package	Gasolina	4WD	2996	245	333	04.15-10.18	■	
400 4-matic (292.356) (M 276.821)	AMG Sports Package	Gasolina	4WD	2996	245	333	03.15-10.19	■	
400 4-matic (292.356) (M 276.825)	AMG Sports Package	Gasolina	4WD	2996	245	333	03.15-10.19	■	
450 AMG 4-matic (166.064) (M 276.821)		Gasolina	4WD	2996	270	367	10.15-10.18	■	
450 AMG 4-matic (292.364) (M 276.821)		Gasolina	4WD	2996	270	367	03.15-10.19	■	
350 (166.058)		Gasolina	RWD	3498	225	306	11.15-10.18	■	
250 d (166.006) (OM 651.960)	AMG Sports Package, SA P31   SA U29, sports package	Diesel	RWD	2143	150	204	04.15-10.18	■	

# LISTA DE APLICACIONES - BUYERS GUIDE

250 d 4-matic (166.004) (OM 651.960)	AMG Sports Package, SA P31   sports package, SA U29	Diesel	4WD	2143	150	204	04.15-10.18	■	
<b>GLS-Class II (X166) 11.15-</b>					<b>SUV (Luxury Crossover SUV-J Segment)</b>				
400 4-matic (166.856) (M 276.821)	not AMG sports pack.	Gasolina	4WD	2996	245	333	11.15-04.19	■	
450 (166.864)		Gasolina	FWD	2996	270	367	06.16-	■	
350 d 4-matic (166.824) (OM 642.826)		Diesel	4WD	2987	183	249	01.17-04.19	■	
<b>M-Class III (W166) 06.11-</b>					<b>SUV (Executive SUV-J Segment)</b>				
ML 400 4-matic (166.056) (M 276.821)		Gasolina	4WD	2996	245	333	08.13-02.15	■	
ML 300 4-matic (166.055) (M 276.955)		Gasolina	4WD	3498	183	249	08.12-02.15	■	
ML 300 4-matic (166.055) (M 276.955)	sports package, AMG Sports Package	Gasolina	4WD	3498	185	252	08.12-02.15	■	
ML 250 CDI / BlueTEC 4-matic (166.004, 166.003) (OM 651.960)	Type No EE.UU, sports package	Diesel	4WD	2143	150	204	06.11-12.15	■	