

LISTA DE APLICACIONES - BUYERS GUIDE

181992

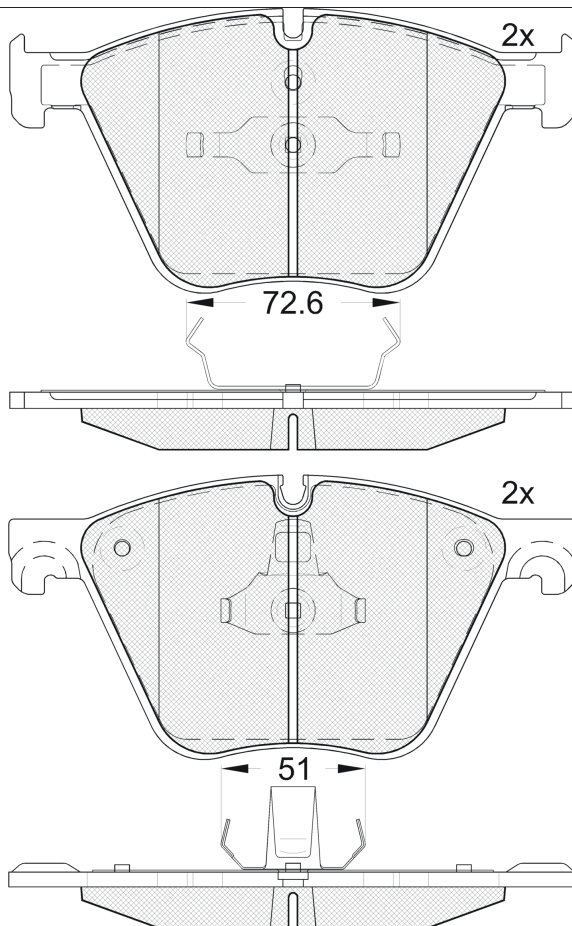


8 424073 102744

Qty: 300

Weight: 3.650

O.E.M.	MAKE
34 11 2 413 080	BMW
34 11 2 449 265	BMW
34 11 4 065 325	BMW
34 11 4 071 908	BMW
34 11 6 775 326	BMW
34 11 6 783 554	BMW
34 11 6 791 527	BMW
34 11 6 791 669	BMW
34 11 6 792 874	BMW
34 11 6 794 464	BMW
34 11 6 799 864	BMW



181992

E 9 90R-01111/3070



Ate - Teves

192.3x96.6x20.2
192.9x96.6x20.2

WVA	FMSI
24436	D1443-8594
24437	D1529-8594
25675	
25676	
26214	

MAKE
ALPINA
BMW



Trac.	CC	Kw	CV
-------	----	----	----



Front / Rear

ALPINA

B6 VI Gran Coupe (F06) 04.14-

Coupe (Executive car-E Segment)

Model	Year	Trac.	CC	Kw	CV	Period	Icon	
BITURBO A las 4 ruedas (N63 B44 A)		Gasolina	4WD	4395	397	540	04.14-12.14	■
BITURBO A las 4 ruedas (N63 B44 B)		Gasolina	4WD	4395	441	600	01.15-03.16	■

BMW

5 Serie VI GRAN TURISMO (F07) 01.09-

Hatchback (Grand Tourer-S Segment)

Model	Year	Trac.	CC	Kw	CV	Period	Icon	
550i		Gasolina	RWD	4395	298	405	10.09-06.12	■
550i		Gasolina	FWD	4395	298	405	09.10-	■
550i (N63 B44 A)	01/10-	Gasolina	RWD	4395	300	408	08.09-06.12	■
550 i xDrive (N63 B44 A)		Gasolina	4WD	4395	300	408	06.10-06.12	■
550i (N63 B44 A)		Gasolina	RWD	4395	330	449	07.12-02.17	■
550i (N63 B44 B)		Gasolina	RWD	4395	330	449	07.12-02.17	■
550 i xDrive (N63 B44 B)		Gasolina	4WD	4395	330	449	07.12-02.17	■

7 Serie V (F01, F02, F03, F04) 02.08-12.15

Saloon (Luxury car-F Segment)

Model	Year	Trac.	CC	Kw	CV	Period	Icon	
760i		Gasolina	FWD			09.08-12.11	■	
750 Li	Eq.V_ L802A,L807A	Gasolina	FWD	3982	300	408	07.13-03.15	■
750 i, Li (N63 B44 A)		Gasolina	RWD	4395	300	408	09.08-06.12	■
750 i, Li xDrive (N63 B44 A)		Gasolina	4WD	4395	300	408	09.09-06.12	■
750 i, Li (N63 B44 B)		Gasolina	RWD	4395	330	449	07.12-06.15	■
750 i, Li xDrive (N63 B44 B)		Gasolina	4WD	4395	330	449	07.12-06.15	■
760 i, Li (N74 B60 A)	reinforced brakes	Gasolina	RWD	5972	400	544	09.09-12.15	■
4.4 750i Hybrid 4WD	01/09-	Gasol./el éc.	4WD	4395	300	408	02.08-	■
ActiveHybrid 7 (N63 B44 A)	reinforced brakes	Gasol./el éc.	RWD	4395	330	449	04.10-06.12	■

LISTA DE APLICACIONES - BUYERS GUIDE

ActiveHybrid 7 (N63 B44 A)	reinforced brakes	Gasol./el éc.	RWD	4395	342	465	04.10-06.12	■	
750 d xDrive (N57 D30 C)	reinforced brakes	Diesel	4WD	2993	280	381	07.12-12.15	■	
X5 II (E70) 02.06-07.13					SUV (Luxury Crossover SUV-J Segment)				
xDrive 50 i		Gasolina	4WD	4395	298	405	09.09-06.13	■	
xDrive 50 i (N63 B44 A)	not armoured vehicl.	Gasolina	4WD	4395	300	408	04.10-07.13	■	
M 50 d (N57 D30 C)	01/12-	Diesel	4WD	2993	280	381	08.11-06.13	■	
X5 III (F15, F85) 08.13-07.18					SUV (Luxury Crossover SUV-J Segment)				
xDrive 50 i (N63 B44 B)		Gasolina	4WD	4395	330	449	08.13-07.18	■	
M 50 d (N57 D30 C)		Diesel	4WD	2993	280	381	12.13-07.18	■	
X6 (E71, E72) 06.07-12.15					SUV (Luxury Crossover SUV-J Segment)				
50 i	01/10-	Gasolina	FWD	4395	300	408	05.08-06.14	■	
xDrive 50 i (N63 B44 A)	01/10-, discØ 385	Gasolina	4WD	4395	300	408	07.08-07.14	■	
xDrive 50 i (N63 B44 A)		Gasolina	4WD	4395	330	449	10.07-06.14	■	
5.0 V8 19"	01/08-	Gasolina	FWD	4995	257	350	05.08-	■	
ActiveHybrid xDrive (N63 B44 A)		Gasol./el éc.	4WD	4395	300	408	01.09-10.11	■	
ActiveHybrid (N63 B44 A)		Gasol./el éc.	4WD	4395	357	485	01.09-10.11	■	
M 50 d (N57 D30 C)	01/12-	Diesel	4WD	2993	280	381	08.11-06.14	■	
X6 II (F16, F86) 08.14-					SUV (Luxury Crossover SUV-J Segment)				
xDrive 50 i (N63 B44 B)	not armoured vehicl.	Gasolina	4WD	4395	330	449	08.14-07.19	■	
M 50 d (N57 D30 C)		Diesel	4WD	2993	280	381	08.14-07.19	■	