

# LISTA DE APLICACIONES - BUYERS GUIDE

## 181993

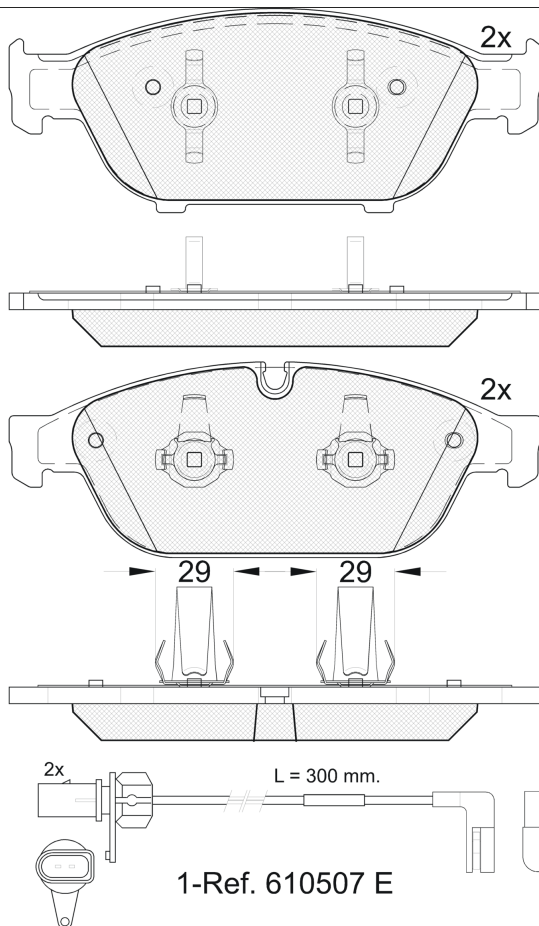


8 424073 102751

Qty: 300

Weight: 3.180

O.E.M.	MAKE
4G0 698 151 B	AUDI
4G0 698 151 G	AUDI
4G0 698 151 M	AUDI
4G0 698 151 R	AUDI
4G0 698 151 S	AUDI
4G0698151AG	AUDI
4H0 698 151 D	AUDI
4H0 698 151 G	AUDI



## 181993

E 9 90R-01111/2923



Ate - Teves

193x71.1x20

193x74.1x20

WVA	FMSI
25158	D1549-8758
25159	

**MAKE**  
AUDI



Trac.	CC	Kw	CV
-------	----	----	----



Front / Rear

### AUDI

#### A6 IV Allroad C7 (4GH, 4GJ) 01.12-

#### Estate (Executive car-E Segment)

Engine	Disc	Fuel	Drivetrain	CC	Kw	CV	Period	Application
3.0 TFSI quattro (CGWD)	discØ 356, PR 1LL	Gasolina	4WD	2995	228	310	01.12-12.14	■
3.0 TFSI quattro (CREC)		Gasolina	4WD	2995	245	333	09.14-09.18	■
3.0 TDI quattro (CZVF)		Diesel	4WD	2967	140	190	11.15-09.18	■
3.0 TDI quattro (CLAA)	discØ 356, PR 1LL	Diesel	4WD	2967	150	204	01.12-12.14	■
3.0 TDI quattro (CRTF)		Diesel	4WD	2967	155	211	09.14-09.18	■
3.0 TDI quattro (CZVC)		Diesel	4WD	2967	155	211	09.14-09.18	■
3.0 TDI quattro (CRTE)		Diesel	4WD	2967	160	218	09.14-09.18	■
3.0 TDI quattro (CZVA)		Diesel	4WD	2967	160	218	09.14-09.18	■
3.0 TDI quattro (CDUD)	discØ 356, PR 1LL	Diesel	4WD	2967	180	245	01.12-06.16	■
3.0 TDI quattro (CKVC)	discØ 356, PR 1LL	Diesel	4WD	2967	180	245	01.12-06.16	■
3.0 TDI quattro (CRTD)		Diesel	4WD	2967	200	272	09.14-09.18	■
3.0 TDI quattro (CGQB)	discØ 356, PR 1LL	Diesel	4WD	2967	230	313	01.12-12.14	■
3.0 TDI quattro (CVUA)		Diesel	4WD	2967	235	320	01.12-09.18	■

#### A6 IV C7 (4G2, 4GC) 11.10-

#### Saloon (Executive car-E Segment)

Engine	Disc	Fuel	Drivetrain	CC	Kw	CV	Period	Application
2.0 TFSI (CDNB)	PR 1LL, discØ 356	Gasolina	FWD	1984	132	180	05.11-09.18	■
2.0 TFSI (CAEB)	PR 1LL, discØ 356	Gasolina	FWD	1984	155	211	03.11-05.13	■
2.0 TFSI quattro (CYPB)		Gasolina	4WD	1984	183	249	05.15-09.18	■
2.0 TFSI (CYNB)		Gasolina	FWD	1984	185	252	09.14-09.18	■
2.0 TFSI (CYPA)		Gasolina	FWD	1984	185	252	09.14-09.18	■
2.0 TFSI quattro (CYNB)		Gasolina	4WD	1984	185	252	05.14-09.18	■
2.0 TFSI quattro (CYPA)		Gasolina	4WD	1984	185	252	05.14-09.18	■
2.8 FSI (CHVA)	discØ 356, PR 1LL	Gasolina	FWD	2773	150	204	11.10-04.15	■
2.8 FSI quattro (CHVA)	PR 1LL, discØ 356	Gasolina	4WD	2773	150	204	11.10-04.15	■

# LISTA DE APLICACIONES - BUYERS GUIDE

3.0	PR 1LL, discØ 356	Gasolina	FWD	2995	213	290	11.11-	■
3.0	PR 1LL, discØ 356	Gasolina	FWD	2995	213	290	11.11-	■
3.0 TFSI quattro (CCAA)	PR 1LL, discØ 356	Gasolina	4WD	2995	220	300	11.10-05.12	■
3.0 TFSI quattro (CGWB)	PR 1LL, discØ 356	Gasolina	4WD	2995	220	300	11.10-05.12	■
3.0 TFSI quattro (CGWD)	PR 1LL, discØ 356	Gasolina	4WD	2995	228	310	03.11-09.18	■
3.0 TFSI quattro (CGXB)	PR 1LL, discØ 356	Gasolina	4WD	2995	228	310	03.11-09.18	■
3.0 TFSI quattro (CTUA)	PR 1LL, discØ 356	Gasolina	4WD	2995	228	310	03.11-09.18	■
3.0 TFSI quattro (CREC)		Gasolina	4WD	2995	245	333	09.14-09.18	■
3.0 TFSI quattro		Gasolina	4WD	2995	250	340	09.16-09.18	■
S6 quattro (CEUC)		Gasolina	4WD	3993	309	420	02.12-09.18	■
2.0 TFSI Hybrid (CHJA)	PR 1LL, discØ 356	Gasol./el éc.	FWD	1984	180	245	11.11-04.15	■
2.0 TDI (CGLE)	discØ 356, PR 1LL	Diesel	FWD	1968	100	136	01.12-09.18	■
2.0 TDI (CSUE)	discØ 356, PR 1LL	Diesel	FWD	1968	100	136	01.12-09.18	■
2.0 TDI (CGLD)	PR 1LL, discØ 356	Diesel	FWD	1968	120	163	03.11-09.18	■
2.0 TDI (CNHA)	PR 1LL	Diesel	FWD	1968	140	190	11.13-09.18	■
2.0 TDI (CZJA)	PR 1LL	Diesel	FWD	1968	140	190	11.13-09.18	■
2.0 TDI (DDDA)	PR 1LL	Diesel	FWD	1968	140	190	11.13-09.18	■
3.0 TDI (CLAB)	PR 1LL, discØ 356	Diesel	FWD	2967	150	204	11.10-09.18	■
3.0 TDI quattro (CLAA)	PR 1LL, discØ 356	Diesel	4WD	2967	150	204	03.11-09.18	■
3.0 TDI quattro (CDUC)	PR 1LL, discØ 356	Diesel	4WD	2967	180	245	03.11-09.18	■
3.0 TDI quattro (CDUD)	PR 1LL, discØ 356	Diesel	4WD	2967	180	245	03.11-09.18	■
3.0 TDI quattro (CKVB)	PR 1LL, discØ 356	Diesel	4WD	2967	180	245	03.11-09.18	■
3.0 TDI quattro (CKVC)	PR 1LL, discØ 356	Diesel	4WD	2967	180	245	03.11-09.18	■
3.0 TDI quattro (CRTD)		Diesel	4WD	2967	200	272	09.14-09.18	■
3.0 TDI quattro (CGQB)	PR 1LL, discØ 356	Diesel	4WD	2967	230	313	11.11-09.18	■
3.0 TDI quattro (CVUA)		Diesel	4WD	2967	235	320	09.14-09.18	■
3.0 TDI quattro (CVUB)		Diesel	4WD	2967	240	326	09.14-09.18	■
<b>A6 IV C7 Avant (4G5, 4GD) 05.11-</b>							<b>Estate (Executive car-E Segment)</b>	
2.0 TFSI (CDNB)	PR 1LL, discØ 356	Gasolina	FWD	1984	132	180	06.11-09.18	■
2.0 TFSI quattro (CYPB)		Gasolina	4WD	1984	183	249	05.15-09.18	■
2.0 TFSI (CYNB)		Gasolina	FWD	1984	185	252	09.14-09.18	■
2.0 TFSI (CYPA)		Gasolina	FWD	1984	185	252	09.14-09.18	■
2.0 TFSI quattro (CYPA)		Gasolina	4WD	1984	185	252	05.15-09.18	■
2.8 FSI (CHVA)	PR 1LL, discØ 356	Gasolina	FWD	2773	150	204	05.11-04.15	■
2.8 FSI quattro (CHVA)	PR 1LL, discØ 356	Gasolina	4WD	2773	150	204	05.11-04.15	■
3.0 TFSI quattro (CGWB)	PR 1LL, discØ 356	Gasolina	4WD	2995	220	300	05.11-05.12	■
3.0 TFSI quattro (CGWD)	PR 1LL, discØ 356	Gasolina	4WD	2995	228	310	11.11-09.18	■
3.0 TFSI quattro (CREC)		Gasolina	4WD	2995	245	333	09.14-09.18	■
2.0 TDI (CGLE)	discØ 356, PR 1LL	Diesel	FWD	1968	100	136	01.12-09.18	■
2.0 TDI (CSUE)	discØ 356, PR 1LL	Diesel	FWD	1968	100	136	01.12-09.18	■
2.0 TDI (DDCA)	discØ 356, PR 1LL	Diesel	FWD	1968	100	136	01.12-09.18	■
2.0 TDI (CGLD)	PR 1LL, discØ 356	Diesel	FWD	1968	120	163	05.11-09.18	■
2.0 TDI (CGLC)	PR 1LL, discØ 356	Diesel	FWD	1968	130	177	05.11-09.18	■
2.0 TDI (CMGB)	PR 1LL, discØ 356	Diesel	FWD	1968	130	177	05.11-09.18	■
2.0 TDI (CNHA)	PR 1LL	Diesel	FWD	1968	140	190	11.13-09.18	■
2.0 TDI (CZJA)	PR 1LL	Diesel	FWD	1968	140	190	11.13-09.18	■
2.0 TDI (DDDA)	PR 1LL	Diesel	FWD	1968	140	190	11.13-09.18	■
3.0 TDI (CLAB)	PR 1LL, discØ 356	Diesel	FWD	2967	150	204	05.11-09.18	■
3.0 TDI quattro (CLAA)	PR 1LL, discØ 356	Diesel	4WD	2967	150	204	05.11-09.18	■
3.0 TDI quattro (CDUC)	PR 1LL, discØ 356	Diesel	4WD	2967	180	245	05.11-09.18	■
3.0 TDI quattro (CDUD)	PR 1LL, discØ 356	Diesel	4WD	2967	180	245	05.11-09.18	■

# LISTA DE APLICACIONES - BUYERS GUIDE

3.0 TDI quattro (CKVB)	PR 1LL, discØ 356	Diesel	4WD	2967	180	245	05.11-09.18	■	
3.0 TDI quattro (CKVC)	PR 1LL, discØ 356	Diesel	4WD	2967	180	245	05.11-09.18	■	
3.0 TDI quattro (CRTD)		Diesel	4WD	2967	200	272	09.14-09.18	■	
3.0 TDI quattro (CGQB)	PR 1LL, discØ 356	Diesel	4WD	2967	230	313	11.11-09.18	■	
3.0 TDI quattro (CVUA)		Diesel	4WD	2967	235	320	09.14-09.18	■	
3.0 TDI quattro (CVUB)		Diesel	4WD	2967	240	326	09.14-09.18	■	
<b>A6 V Allroad C8 (4AH) 11.18-</b>					<b>Estate (Executive car-E Segment)</b>				
45 TDI Mild Hybrid quattro (DDVE)	PR 1LL, PR 1ZK, discØ 356	Diesel/el éc.	4WD	2967	170	231	11.18-	■	
50 TDI Mild Hybrid quattro (DDVB)	PR 1LL, PR 1ZK, discØ 356	Diesel/el éc.	4WD	2967	210	286	11.18-	■	
55 TDI Mild Hybrid quattro (DEWA)	PR 1LL, PR 1ZK, discØ 356	Diesel/el éc.	4WD	2967	257	349	03.19-	■	
<b>A7 Sportback (4GA, 4GF) 07.10-11.19</b>					<b>Hatchback (Executive car-E Segment)</b>				
1.8 TFSI (CYGA)		Gasolina	FWD	1798	140	190	04.15-05.18	■	
2.0 TFSI quattro (CYPB)	PR 1LF, PR 1LL, PR 1ZK, discØ 356	Gasolina	4WD	1984	183	249	05.15-05.18	■	
2.0 TFSI (CYPA)	PR 1LF, PR 1LL, PR 1ZK, discØ 356	Gasolina	FWD	1984	185	252	09.14-05.18	■	
2.0 TFSI quattro (CYNB)	PR 1LF, PR 1LL, PR 1ZK, discØ 356	Gasolina	4WD	1984	185	252	05.15-05.18	■	
2.0 TFSI quattro (CYPA)	PR 1LF, PR 1LL, PR 1ZK, discØ 356	Gasolina	4WD	1984	185	252	05.15-05.18	■	
2.8 FSI (CHVA)	PR 1LL, discØ 356	Gasolina	FWD	2773	150	204	02.11-03.15	■	
2.8 FSI quattro (CHVA)	PR 1LL, discØ 356	Gasolina	4WD	2773	150	204	10.10-03.15	■	
2.8 FSI quattro (CNYA)	PR 1LL, discØ 356	Gasolina	4WD	2773	150	204	10.10-03.15	■	
2.8 FSI quattro (CVPA)		Gasolina	4WD	2773	162	220	09.14-05.18	■	
3.0 TFSI quattro (CGWB)	PR 1LL, discØ 356	Gasolina	4WD	2995	220	300	10.10-05.12	■	
3.0 TFSI quattro (CHMA)	PR 1LL, discØ 356	Gasolina	4WD	2995	220	300	10.10-05.12	■	
3.0 TFSI quattro (CGWD)	PR 1LL, discØ 356	Gasolina	4WD	2995	228	310	01.11-03.15	■	
3.0 TFSI quattro (CGXB)	PR 1LL, discØ 356	Gasolina	4WD	2995	228	310	01.11-03.15	■	
3.0 TFSI quattro (CTTA)	PR 1LL, discØ 356	Gasolina	4WD	2995	228	310	01.11-03.15	■	
3.0 TFSI quattro (CTUA)	PR 1LL, discØ 356	Gasolina	4WD	2995	228	310	01.11-03.15	■	
3.0 TFSI quattro (CREC)		Gasolina	4WD	2995	245	333	05.14-05.18	■	
3.0 TFSI quattro		Gasolina	4WD	2995	250	340	05.16-05.18	■	
S7 quattro (CEUC)		Gasolina	4WD	3993	309	420	02.12-03.15	■	
3.0 TDI (CZVE)		Diesel	FWD	2967	140	190	11.15-05.18	■	
3.0 TDI quattro (CZVE)		Diesel	4WD	2967	140	190	11.15-05.18	■	
3.0 TDI quattro (CZVF)		Diesel	4WD	2967	140	190	11.15-05.18	■	
3.0 TDI (CLAB)	discØ 356, PR 1LL	Diesel	FWD	2967	150	204	11.10-03.15	■	
3.0 TDI quattro (CLAA)	PR 1LL, discØ 356	Diesel	4WD	2967	150	204	12.10-03.15	■	
3.0 TDI (CZVD)		Diesel	FWD	2967	155	211	11.15-05.18	■	
3.0 TDI quattro (CRTF)		Diesel	4WD	2967	155	211	07.14-05.18	■	
3.0 TDI quattro (CTCB)		Diesel	4WD	2967	155	211	07.14-05.18	■	
3.0 TDI quattro (CZVC)		Diesel	4WD	2967	155	211	07.14-05.18	■	
3.0 TDI (CTCC)		Diesel	FWD	2967	160	218	07.14-05.18	■	
3.0 TDI (CZVB)		Diesel	FWD	2967	160	218	07.14-05.18	■	
3.0 TDI quattro (CRTE)		Diesel	4WD	2967	160	218	07.14-05.18	■	
3.0 TDI quattro (CZVA)		Diesel	4WD	2967	160	218	07.14-05.18	■	
3.0 TDI quattro (CPNB)	PR 1LL	Diesel	4WD	2967	176	239	05.13-06.17	■	
3.0 TDI quattro (CDUC)	PR 1LL, discØ 356	Diesel	4WD	2967	180	245	10.10-06.16	■	
3.0 TDI quattro (CDUD)	PR 1LL, discØ 356	Diesel	4WD	2967	180	245	10.10-06.16	■	
3.0 TDI quattro (CKVB)	PR 1LL, discØ 356	Diesel	4WD	2967	180	245	10.10-06.16	■	
3.0 TDI quattro (CKVC)	PR 1LL, discØ 356	Diesel	4WD	2967	180	245	10.10-06.16	■	

# LISTA DE APLICACIONES - BUYERS GUIDE

3.0 TDI quattro (CRTD)		Diesel	4WD	2967	200	272	05.14-05.18	■
3.0 TDI quattro (CGQB)	PR 1LL, discØ 356	Diesel	4WD	2967	230	313	11.11-03.15	■
3.0 TDI quattro (CVUA)		Diesel	4WD	2967	235	320	05.14-05.18	■
3.0 TDI quattro (CVUB)	PR 1LL, discØ 356	Diesel	4WD	2967	240	326	09.14-05.18	■
<b>A8 III D4 (4H2, 4H8, 4HC, 4HL) 11.09-</b>				<b>Saloon (Luxury car-F Segment)</b>				
2.0 TFSI quattro (CYPA)	PR 1LL, discØ 356	Gasolina	4WD	1984	185	252	09.16-01.18	■
2.5 TFSI (CPAA)	PR 1LL, discØ 356	Gasolina	FWD	2498	150	204	07.12-06.16	■
2.5 TFSI (CVBA)	PR 1LL, discØ 356	Gasolina	FWD	2498	150	204	07.12-06.16	■
3.0 TFSI quattro (CGWA)	PR 1LL, discØ 356	Gasolina	4WD	2995	213	290	07.10-04.14	■
3.0 TFSI quattro (CGXA)	PR 1LL, discØ 356	Gasolina	4WD	2995	213	290	07.10-04.14	■
3.0 TFSI quattro (CREG)	PR 1LL, discØ 356	Gasolina	4WD	2995	213	290	07.10-04.14	■
3.0 TFSI quattro (CGWD)	PR 1LL, discØ 356	Gasolina	4WD	2995	228	310	11.11-01.18	■
3.0 TFSI quattro (CREA)	PR 1LL, discØ 356	Gasolina	4WD	2995	228	310	11.11-01.18	■
3.0 TFSI quattro (CGXC)	discØ 356, PR 1LL	Gasolina	4WD	2995	245	333	06.10-01.18	■
3.0 TFSI quattro (CMDA)	discØ 356, PR 1LL	Gasolina	4WD	2995	245	333	06.10-01.18	■
3.0 TFSI quattro (CREC)	discØ 356, PR 1LL	Gasolina	4WD	2995	245	333	06.10-01.18	■
3.0 TFSI quattro (CTDA)	discØ 356, PR 1LL	Gasolina	4WD	2995	245	333	06.10-01.18	■
3.0 TFSI quattro (CTUB)	discØ 356, PR 1LL	Gasolina	4WD	2995	245	333	06.10-01.18	■
4.0 TFSI quattro (CEUA)	PR 1LL, discØ 356	Gasolina	4WD	3993	309	420	03.12-12.14	■
S8 quattro (CGTA)	discØ 356, PR 1LL	Gasolina	4WD	3993	382	520	04.12-01.18	■
S8 quattro (CTFA)	discØ 356, PR 1LL	Gasolina	4WD	3993	382	520	04.12-01.18	■
4.2 FSI quattro (CDRA)	01/10-, PR 1LL, discØ 356	Gasolina	4WD	4163	273	371	11.09-12.12	■
6.3 W12 quattro (CEJA)	discØ 356, PR 1LL	Gasolina	4WD	6299	368	500	01.11-01.18	■
6.3 W12 quattro (CTNA)	discØ 356, PR 1LL	Gasolina	4WD	6299	368	500	01.11-01.18	■
2.0 TFSI Hybrid (CHJA)	PR 1LL, discØ 356	Gasol./el éc.	FWD	1984	180	245	02.12-11.15	■
3.0 TDI (CLAB)	discØ 356, PR 1LL	Diesel	FWD	2967	150	204	09.11-09.13	■
3.0 TDI quattro (CDTB)	discØ 356, PR 1LL	Diesel	4WD	2967	155	211	08.10-11.15	■
3.0 TDI quattro (CTBB)	discØ 356, PR 1LL	Diesel	4WD	2967	155	211	08.10-11.15	■
3.0 TDI quattro (CPNA)	PR 1LL, discØ 356	Diesel	4WD	2967	176	239	11.12-06.16	■
3.0 TDI quattro (CPNB)	PR 1LL, discØ 356	Diesel	4WD	2967	176	239	11.12-06.16	■
3.0 TDI quattro (CDTA)	PR 1LL, discØ 356	Diesel	4WD	2967	184	250	07.10-01.18	■
3.0 TDI quattro (CDTC)	PR 1LL, discØ 356	Diesel	4WD	2967	184	250	07.10-01.18	■
3.0 TDI quattro (CMHA)	PR 1LL, discØ 356	Diesel	4WD	2967	184	250	07.10-01.18	■
3.0 TDI quattro (CTBA)		Diesel	4WD	2967	190	258	10.13-01.18	■
3.0 TDI quattro (CTBD)		Diesel	4WD	2967	193	262	05.15-01.18	■
4.2 TDI quattro (CDSB)	01/10-, PR 1LL, discØ 356	Diesel	4WD	4134	258	351	11.09-04.14	■