

LISTA DE APLICACIONES - BUYERS GUIDE

181995

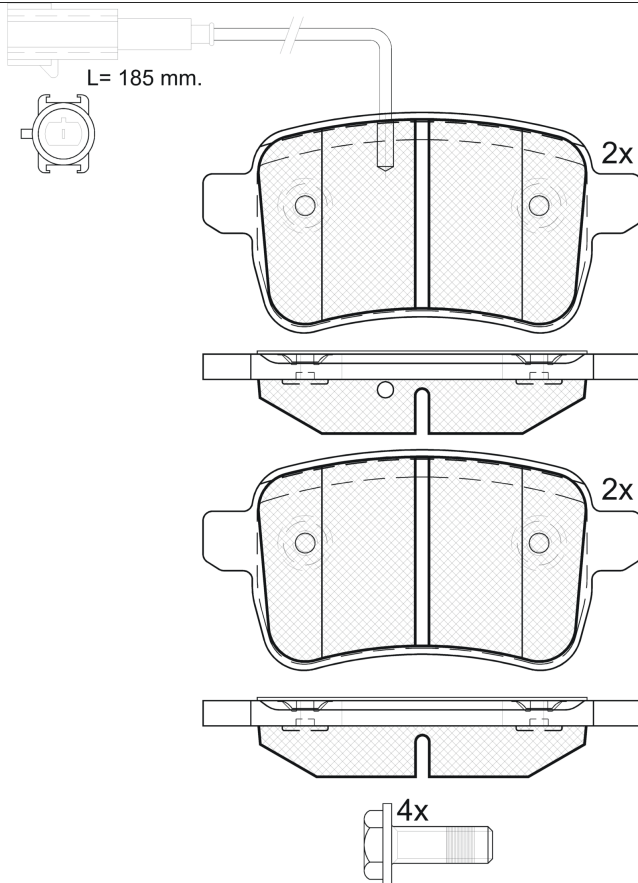


8 424073 102775

Qty: 944

Weight: 1.010

| O.E.M. | MAKE |
|-------------|------------|
| 7 177 009 2 | ALFA ROMEO |
| 7 736 535 7 | ALFA ROMEO |



1-Ref. 690064

181995

E 9 **90R-01110/2950**



Trw

95.6x48.1x18

| WVA | FMSI |
|------------|------------|
| 25156 | D2353-9583 |
| 25157 | |
| MAKE | |
| ALFA ROMEO | |



| Trac. | CC | Kw | CV |
|-------|----|----|----|
|-------|----|----|----|



Front / Rear

ALFA ROMEO

| GIULIETTA III (940_) 04.11- | | | | | | | Hatchback Van (Compact car-C Segment) | | | |
|--|--------------------------|-------------------|-----|------|-----|-----|---------------------------------------|---|--|--|
| 1.4 (940FXA1A) (198 A4.000) | Eq.V_ Sin Pinza Especial | Gasolina | FWD | 1368 | 88 | 120 | 04.11-02.16 | ■ | | |
| 1.4 (940FXB1A) (940 A2.000) | Eq.V_ Sin Pinza Especial | Gasolina | FWD | 1368 | 125 | 170 | 04.11-12.20 | ■ | | |
| 1.8 (940FXC1A) (940 A1.000) | Eq.V_ Sin Pinza Especial | Gasolina | FWD | 1742 | 173 | 235 | 04.11-02.16 | ■ | | |
| 1.6 JTDM (940FXD1A) (940 A3.000) | Eq.V_ Sin Pinza Especial | Diesel | FWD | 1598 | 77 | 105 | 04.11-02.16 | ■ | | |
| 2.0 JTDM (940FXL1A) (940 A5.000) | Eq.V_ Sin Pinza Especial | Diesel | FWD | 1956 | 103 | 140 | 07.13-02.16 | ■ | | |
| 2.0 JTDM (940FXQ1A) (940 B5.000) | Eq.V_ Sin Pinza Especial | Diesel | FWD | 1956 | 110 | 150 | 08.13-02.16 | ■ | | |
| 2.0 JTDM (940FXE1A) (940 A4.000) | Eq.V_ Sin Pinza Especial | Diesel | FWD | 1956 | 125 | 170 | 04.11-02.16 | ■ | | |
| 2.0 JTDM (940FXV11) (940 B4.000) | | Diesel | FWD | 1956 | 129 | 175 | 05.15-12.20 | ■ | | |
| GIULIETTA III (940_) 04.10- | | | | | | | Hatchback (Compact car-C Segment) | | | |
| 1.4 TB (940FXN1A, 940FXU1A) (940 B1.000) | Eq.V_ Sin Pinza Especial | Gasolina | FWD | 1368 | 77 | 105 | 04.11-02.17 | ■ | | |
| 1.4 TB (940FXN1A, 940FXU1A) (940 B8.000) | Eq.V_ Sin Pinza Especial | Gasolina | FWD | 1368 | 77 | 105 | 04.11-02.17 | ■ | | |
| 1.4 TB (940FXF1A) (940 A6.000) | Eq.V_ Sin Pinza Especial | Gasolina | FWD | 1368 | 85 | 116 | 04.10-02.16 | ■ | | |
| 1.4 TB (940FXA1A, 940FXT1A) (198 A4.000) | Eq.V_ Sin Pinza Especial | Gasolina | FWD | 1368 | 88 | 120 | 04.10-12.20 | ■ | | |
| 1.4 TB (940FXA1A, 940FXT1A) (940 B7.000) | Eq.V_ Sin Pinza Especial | Gasolina | FWD | 1368 | 88 | 120 | 04.10-12.20 | ■ | | |
| 1.4 TB (940.FYA1A) (940 A2.000) | | Gasolina | FWD | 1368 | 110 | 150 | 09.14-10.18 | ■ | | |
| 1.4 TB (940.FYA1A) (940 C2.000) | | Gasolina | FWD | 1368 | 110 | 150 | 09.14-10.18 | ■ | | |
| 1.4 TB (940FXG1A) (955 A8.000) | Eq.V_ Sin Pinza Especial | Gasolina | FWD | 1368 | 120 | 163 | 04.10-10.18 | ■ | | |
| 1.4 TB (940FXB1A, 940FXB11) (940 A2.000) | Eq.V_ Sin Pinza Especial | Gasolina | FWD | 1368 | 125 | 170 | 04.10-10.18 | ■ | | |
| 1.8 TBi (940FXC1A) (940 A1.000) | Eq.V_ Sin Pinza Especial | Gasolina | FWD | 1742 | 173 | 235 | 04.10-02.16 | ■ | | |
| 1.8 TBi (940FXR11) (940 B2.000) | Eq.V_ Sin Pinza Especial | Gasolina | FWD | 1742 | 177 | 241 | 09.13-10.18 | ■ | | |
| 1.8 TBi (940FXR11) (960 A1.000) | Eq.V_ Sin Pinza Especial | Gasolina | FWD | 1742 | 177 | 241 | 09.13-10.18 | ■ | | |
| 1.4 BiFuel (940FXA1A, 940FXT1A) (198 A4.000) | Eq.V_ Sin Pinza Especial | Gasol./G as (LPG) | FWD | 1368 | 88 | 120 | 12.11-02.17 | ■ | | |

LISTA DE APLICACIONES - BUYERS GUIDE

| | | | | | | | | |
|--|--------------------------|--------|-----|------|-----|-----|-------------|---|
| 1.6 JTDM (940FXD1A) (940 A3.000) | Eq.V_ Sin Pinza Especial | Diesel | FWD | 1598 | 77 | 105 | 04.10-02.16 | ■ |
| 1.6 JTDM (940FYE11, 940FYE1A) (940 C5.000) | | Diesel | FWD | 1598 | 85 | 116 | 09.15-10.18 | ■ |
| 1.6 JTDM (940FYB11, 940FYB1A, 940FYF11, 940FYF1A) (552 80 444) | | Diesel | FWD | 1598 | 88 | 120 | 02.15-12.20 | ■ |
| 1.6 JTDM (940FYB11, 940FYB1A, 940FYF11, 940FYF1A) (940 C1.000) | | Diesel | FWD | 1598 | 88 | 120 | 02.15-12.20 | ■ |
| 1.6 JTDM (940FYB11, 940FYB1A, 940FYF11, 940FYF1A) (940 C5.000) | | Diesel | FWD | 1598 | 88 | 120 | 02.15-12.20 | ■ |
| 2.0 JTDM (940FXM1A, 940FXS1A, 940FYD1A) (940 A8.000) | Eq.V_ Sin Pinza Especial | Diesel | FWD | 1956 | 100 | 136 | 04.10-02.16 | ■ |
| 2.0 JTDM (940FXM1A, 940FXS1A, 940FYD1A) (940 B6.000) | Eq.V_ Sin Pinza Especial | Diesel | FWD | 1956 | 100 | 136 | 04.10-02.16 | ■ |
| 2.0 JTDM (940FXM1A, 940FXS1A, 940FYD1A) (940 C4.000) | Eq.V_ Sin Pinza Especial | Diesel | FWD | 1956 | 100 | 136 | 04.10-02.16 | ■ |
| 2.0 JTDM (940.FXL1A) (940 A5.000) | Eq.V_ Sin Pinza Especial | Diesel | FWD | 1956 | 103 | 140 | 04.10-12.20 | ■ |
| 2.0 JTDM (940.FXL1A) (940 C3.000) | Eq.V_ Sin Pinza Especial | Diesel | FWD | 1956 | 103 | 140 | 04.10-12.20 | ■ |
| 2.0 JTDM (940FXQ1A, 940FYC1A) (940 B5.000) | Eq.V_ Sin Pinza Especial | Diesel | FWD | 1956 | 110 | 150 | 08.13-10.18 | ■ |
| 2.0 JTDM (940FXQ1A, 940FYC1A) (940 C3.000) | Eq.V_ Sin Pinza Especial | Diesel | FWD | 1956 | 110 | 150 | 08.13-10.18 | ■ |
| 2.0 JTDM (940FXH1A, 940FXH11, 940FXZ11, 940FXZ1A) (940 A7.000) | Eq.V_ Sin Pinza Especial | Diesel | FWD | 1956 | 120 | 163 | 04.10-10.18 | ■ |
| 2.0 JTDM (940FXH1A, 940FXH11, 940FXZ11, 940FXZ1A) (940 B9.000) | Eq.V_ Sin Pinza Especial | Diesel | FWD | 1956 | 120 | 163 | 04.10-10.18 | ■ |
| 2.0 JTDM (940FXE1A, 940FXG11) (552 83 099) | Eq.V_ Sin Pinza Especial | Diesel | FWD | 1956 | 125 | 170 | 04.10-12.20 | ■ |
| 2.0 JTDM (940FXE1A, 940FXG11) (940 A4.000) | Eq.V_ Sin Pinza Especial | Diesel | FWD | 1956 | 125 | 170 | 04.10-12.20 | ■ |
| 2.0 JTDM (940FXE1A, 940FXG11) (940 B4.000) | Eq.V_ Sin Pinza Especial | Diesel | FWD | 1956 | 125 | 170 | 04.10-12.20 | ■ |
| 2.0 JTDM (940FXV11) (940 B4.000) | | Diesel | FWD | 1956 | 129 | 175 | 11.13-10.18 | ■ |